

US00D521929S

(12) **United States Design Patent**
Xiao

(10) **Patent No.:** **US D521,929 S**

(45) **Date of Patent:** **** May 30, 2006**

(54) **INVERTER GENERATOR**

(75) Inventor: **Henglin Xiao**, Wuxi (CN)

(73) Assignee: **Wuxi Kipor Power Co., Ltd.**, Jaingsu Province (CN)

(**) Term: **14 Years**

(21) Appl. No.: **29/204,358**

(22) Filed: **Apr. 28, 2004**

(30) **Foreign Application Priority Data**

Oct. 28, 2003	(CN)	200330111565X
Mar. 10, 2004	(CN)	2004300207502
Mar. 10, 2004	(CN)	2004300207521

(51) **LOC (8) Cl.** **13-03**

(52) **U.S. Cl.** **D13/116**

(58) **Field of Classification Search** D13/110,
D13/112, 114, 116; 290/1 A, 1 B; 307/64,
307/150, 151; 123/2, 3

See application file for complete search history.

(56) **References Cited**

U.S. PATENT DOCUMENTS

D281,492 S	*	11/1985	Yaguchi	D13/116
D282,252 S	*	1/1986	Yamaguchi et al.	D13/116
D291,432 S	*	8/1987	Yaguchi	D13/116
D305,880 S	*	2/1990	Ito et al.	D13/116

D417,651 S	*	12/1999	Ohsumi	D13/116
6,091,160 A	*	7/2000	Kouchi et al.	290/1 A
D437,581 S	*	2/2001	Aruga et al.	D13/116
D437,825 S	*	2/2001	Imai	D13/116
6,291,900 B1	*	9/2001	Tiemann et al.	290/1 A
D455,398 S	*	4/2002	Frank et al.	D13/110
D477,569 S	*	7/2003	Iwatate et al.	D13/116
D478,043 S	*	8/2003	Iwatate et al.	D13/116

* cited by examiner

Primary Examiner—Stella Reid

Assistant Examiner—Daniel Bui

(74) *Attorney, Agent, or Firm*—Kaplan Gilman Gibson & Dernier LLP

(57) **CLAIM**

The ornamental design for an inverter generator, as shown and described.

DESCRIPTION

FIG. 1 is a perspective view of an inverter generator showing my new design;

FIG. 2 is a front view thereof;

FIG. 3 is a rear view thereof;

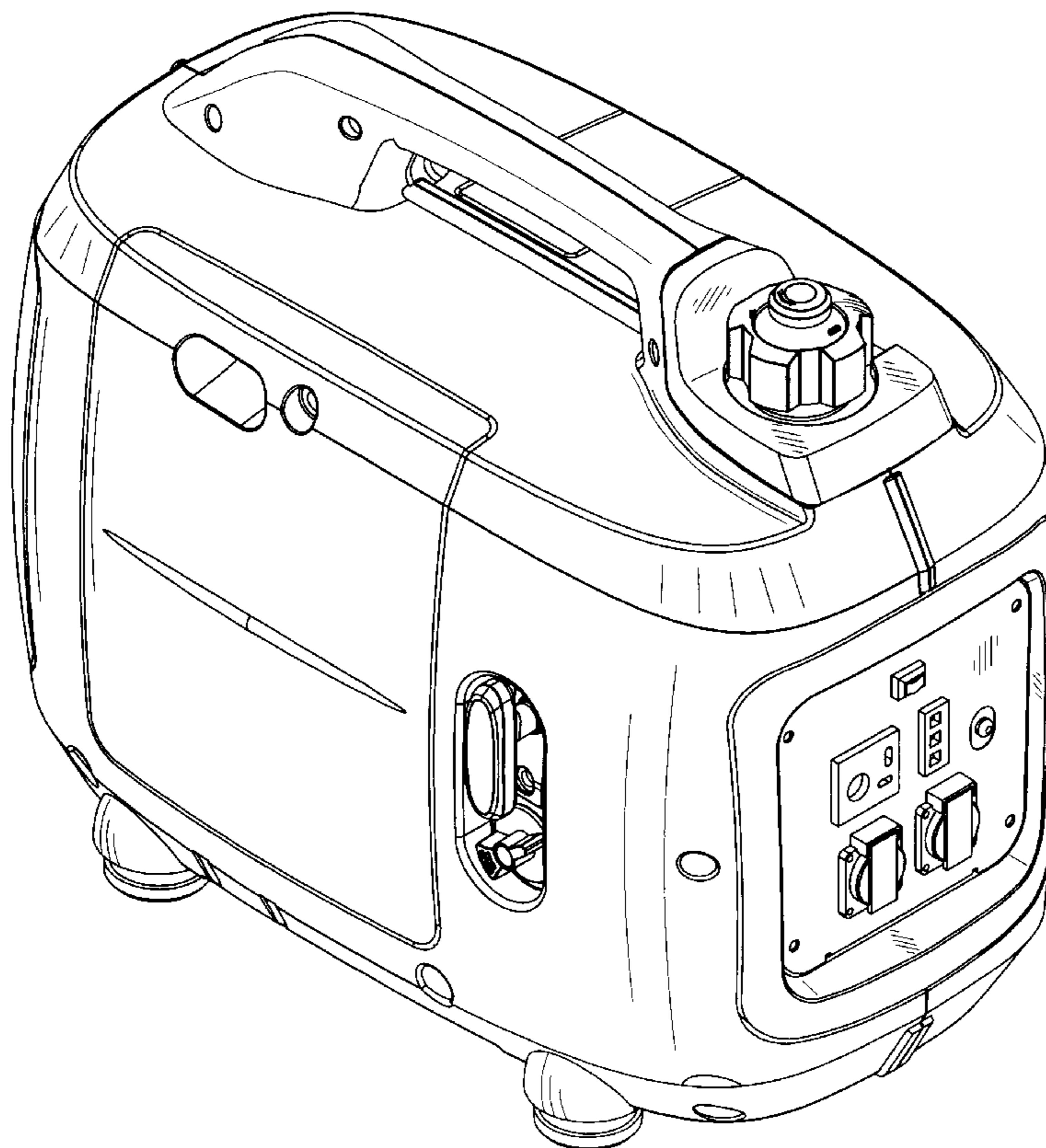
FIG. 4 is a top view thereof;

FIG. 5 is a bottom view thereof;

FIG. 6 is a left-side view thereof; and,

FIG. 7 is a right-side view thereof.

1 Claim, 7 Drawing Sheets



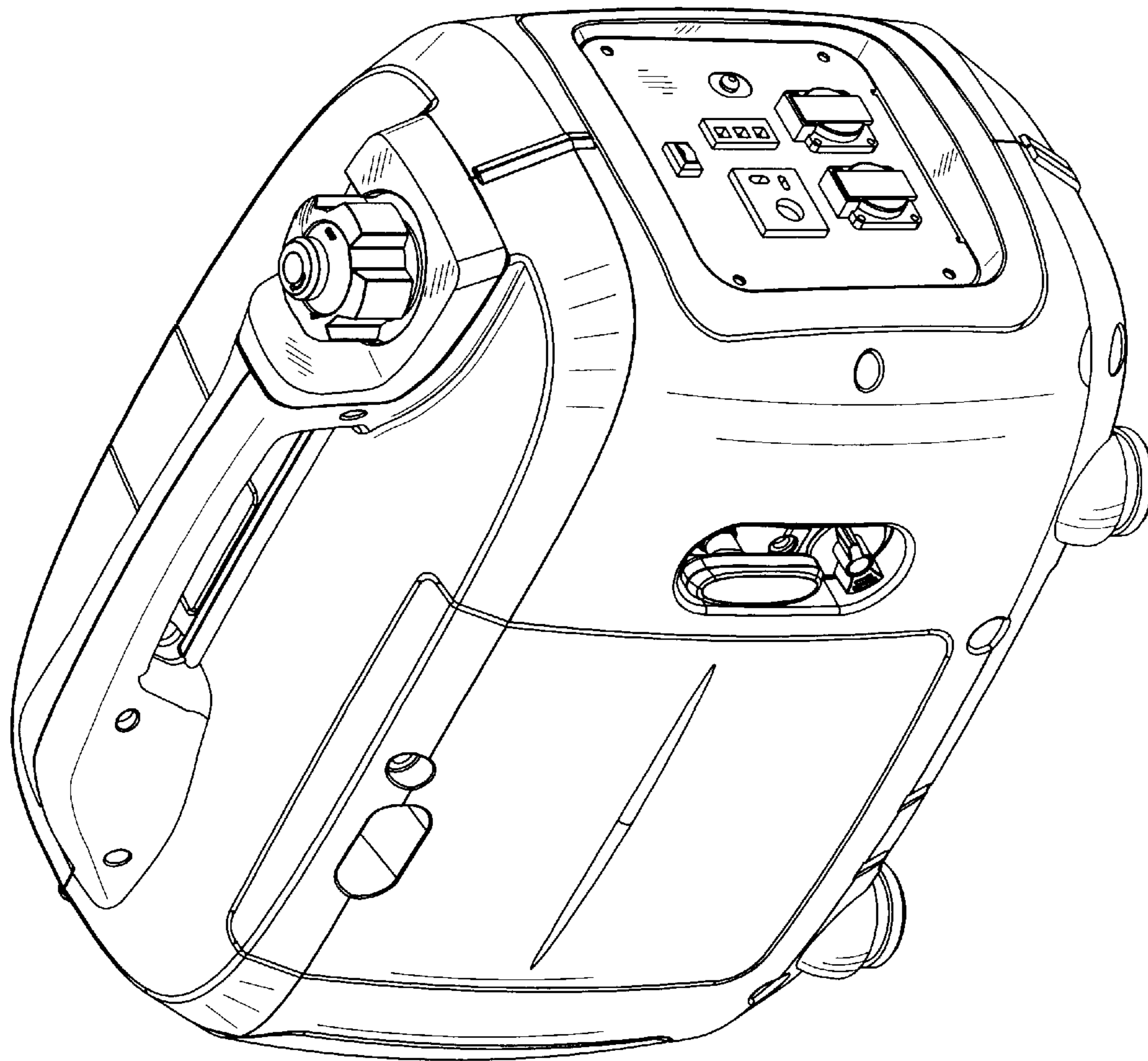


FIG. 1

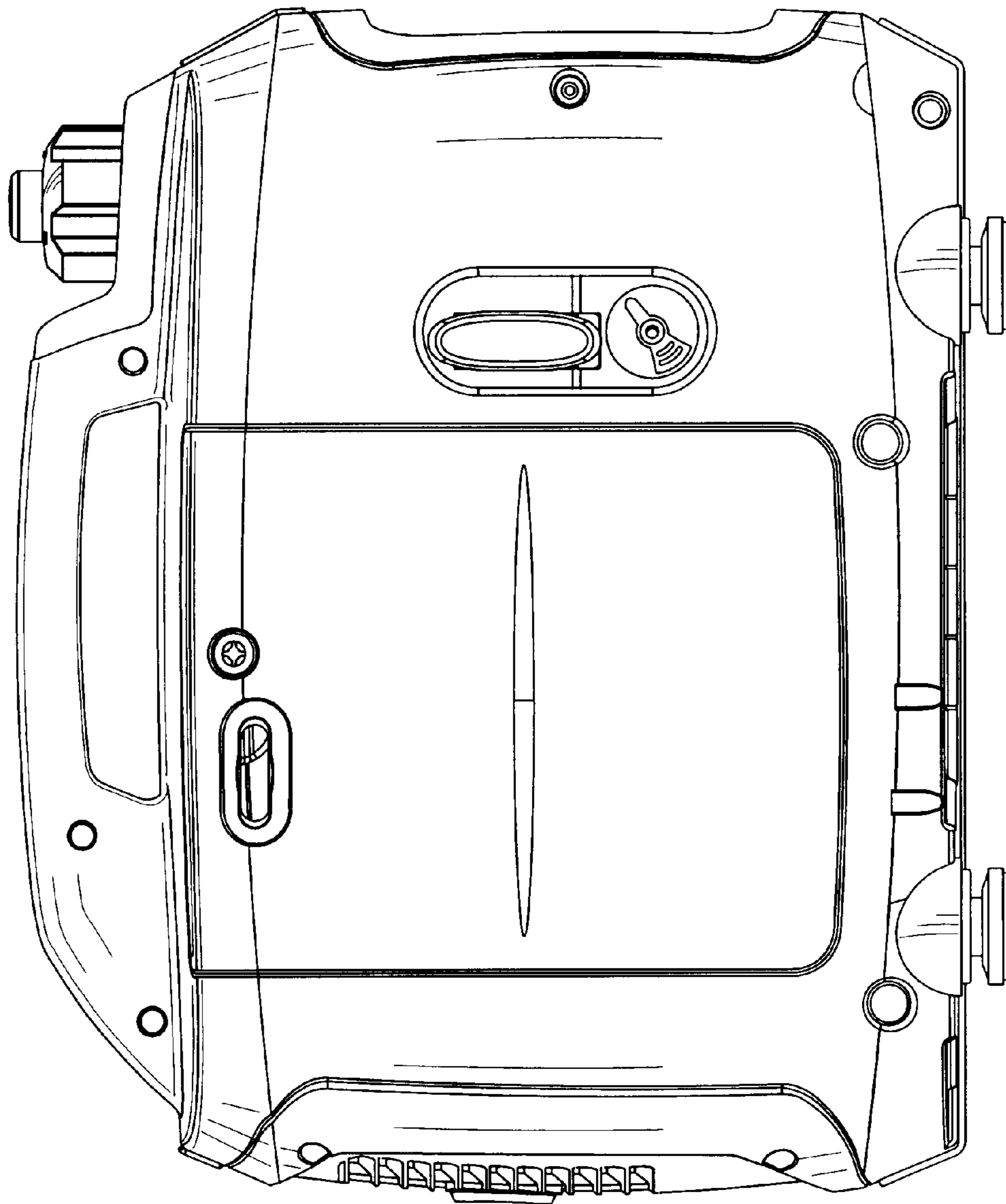


FIG. 2

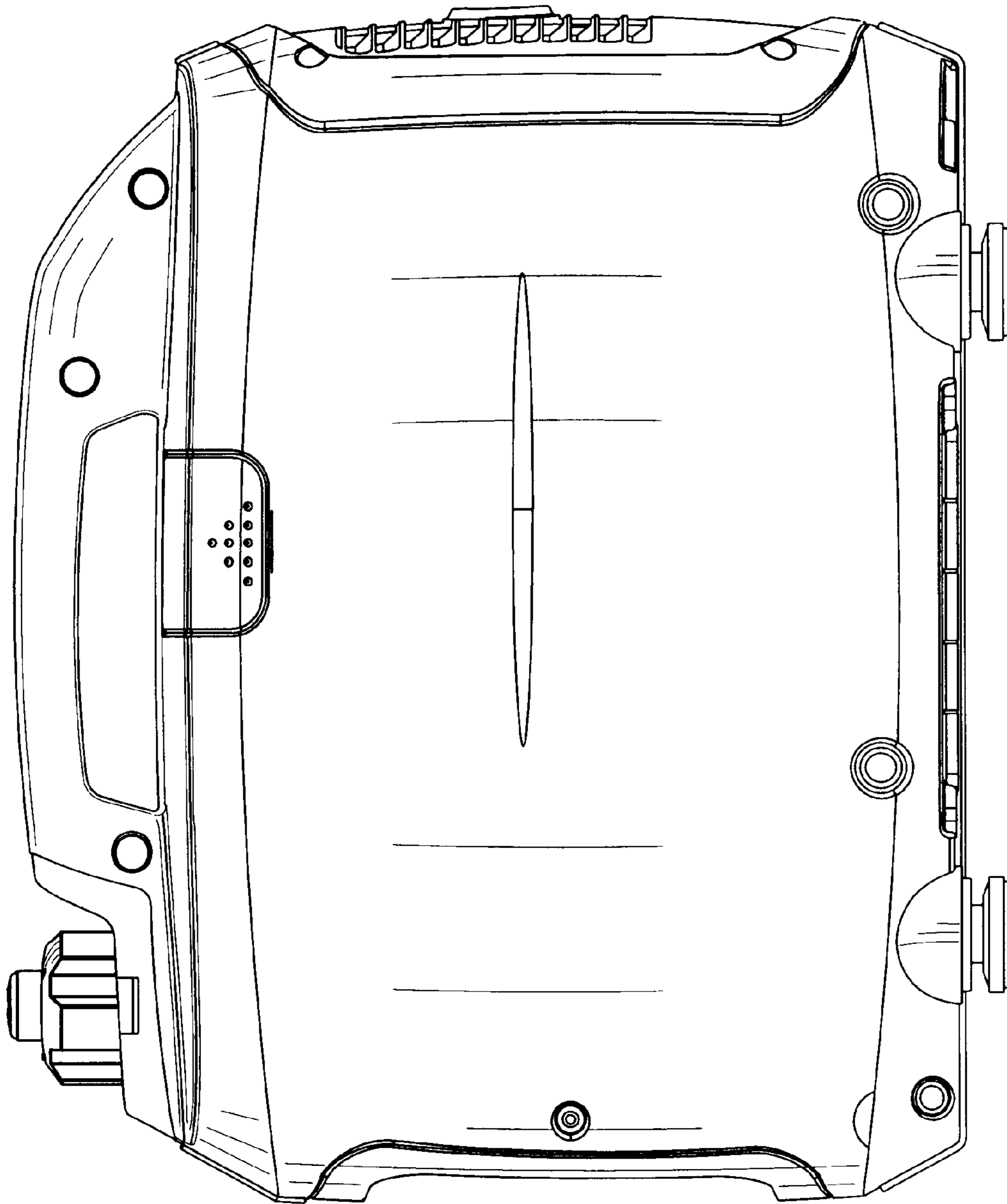


FIG. 3

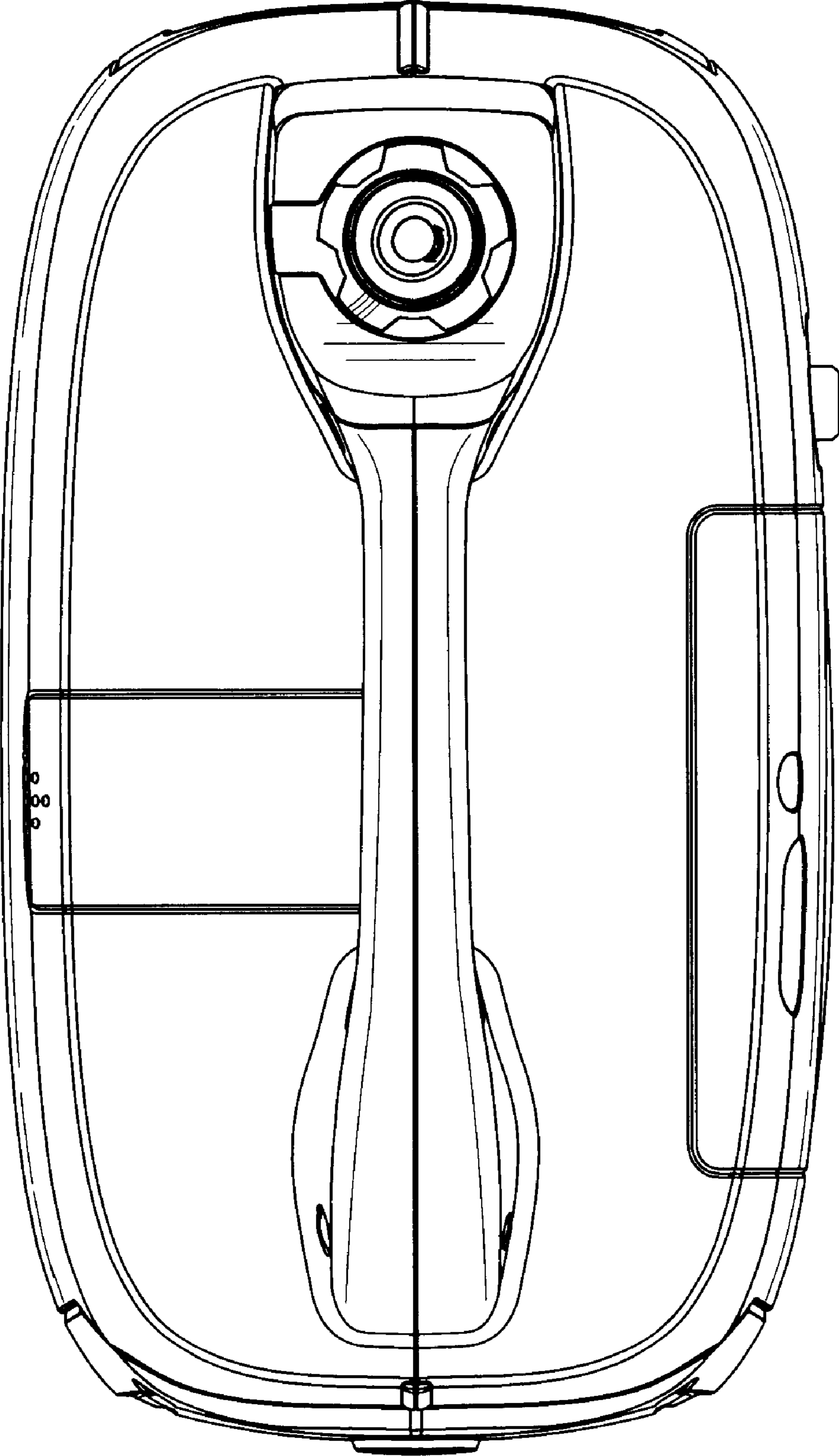


FIG. 4

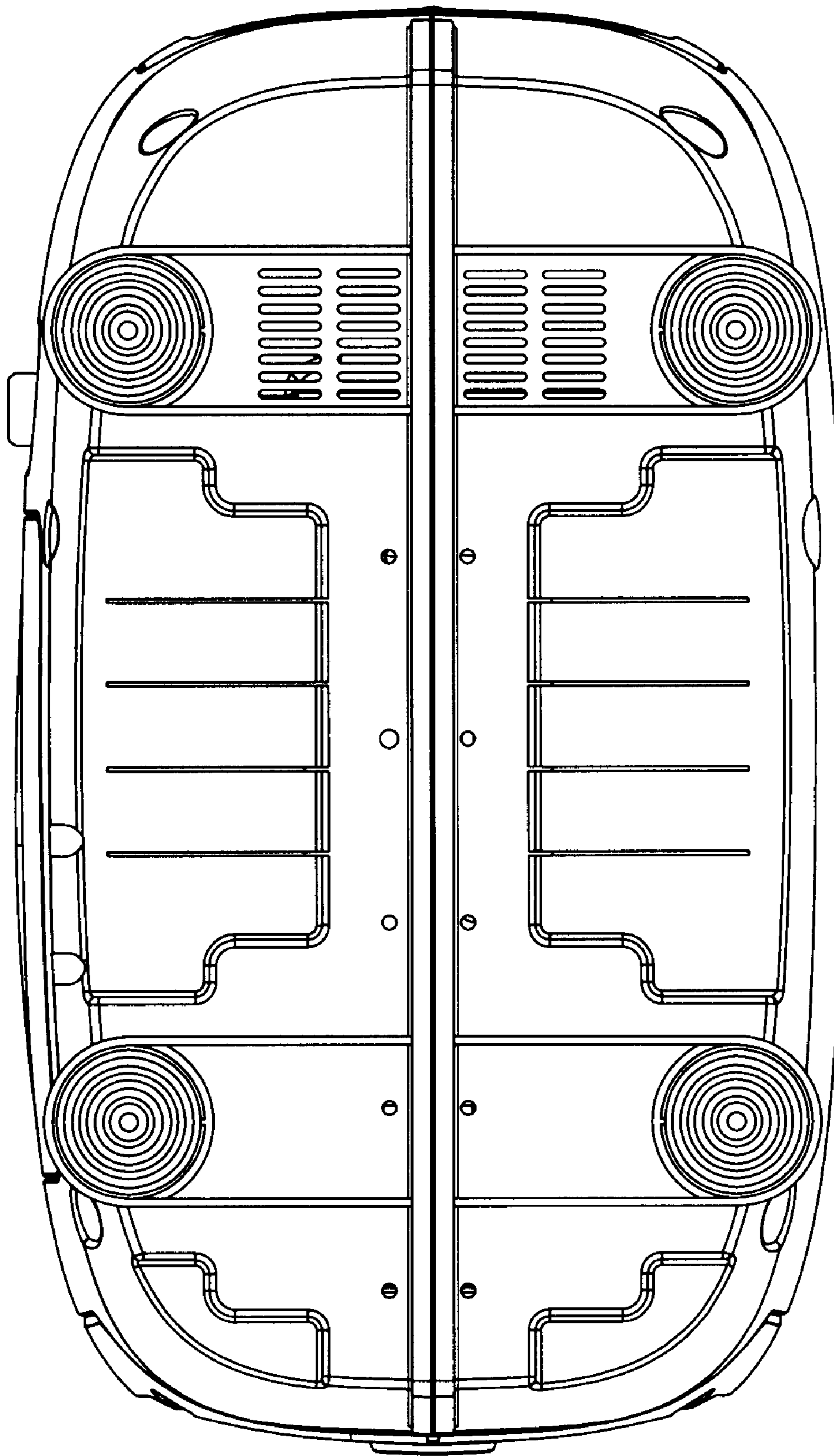


FIG. 5

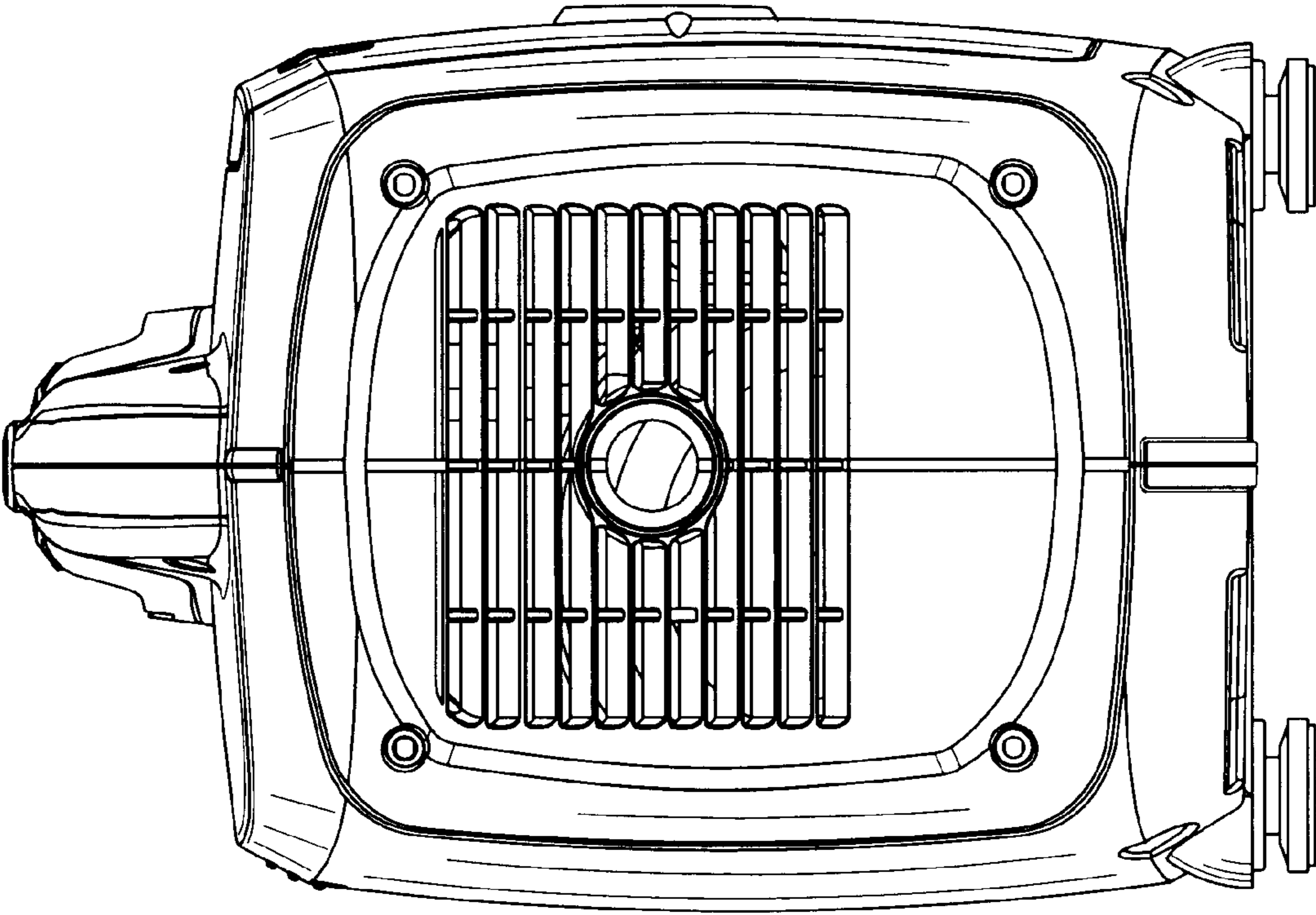


FIG. 6

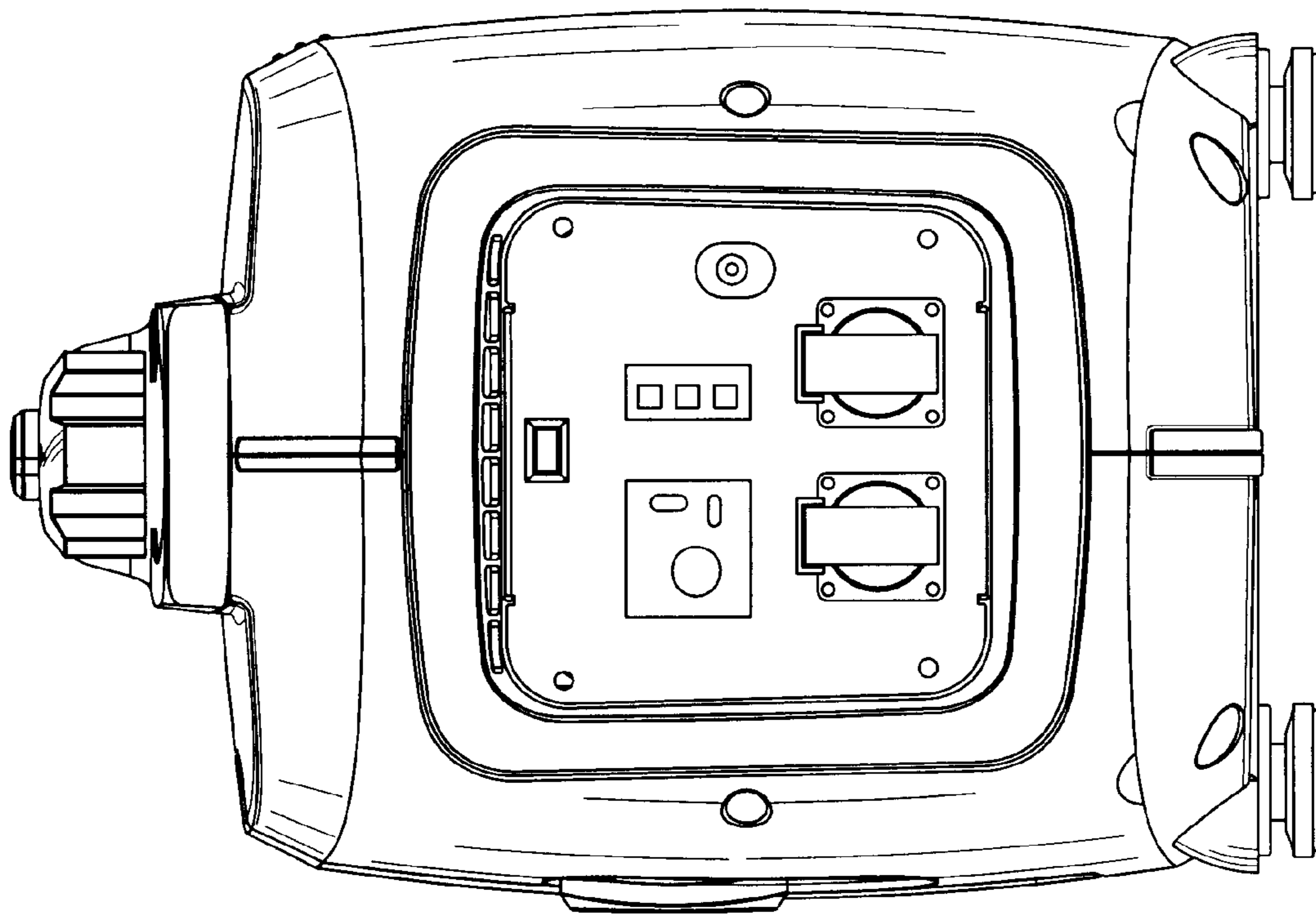


FIG. 7