



US00D521928S

(12) **United States Design Patent**
Shimizu

(10) **Patent No.:** **US D521,928 S**

(45) **Date of Patent:** **** May 30, 2006**

(54) **COMBINED CHARGER AND CONNECTOR**

(75) Inventor: **Minoru Shimizu**, Tokyo (JP)

(73) Assignee: **Sony Corporation**, Tokyo (JP)

(**) Term: **14 Years**

(21) Appl. No.: **29/226,053**

(22) Filed: **Mar. 24, 2005**

(51) **LOC (8) Cl.** **13-02**

(52) **U.S. Cl.** **D13/108**

(58) **Field of Classification Search** D13/107–110,
D13/118–119, 184; D14/251, 253, 432, 434;
D16/208, 219, 237, 242; 320/107–115
See application file for complete search history.

(56) **References Cited**

U.S. PATENT DOCUMENTS

D349,125 S	*	7/1994	Wilson et al.	D16/208
D353,131 S	*	12/1994	Nagele	D13/107
D368,479 S	*	4/1996	Larson	D14/253
D400,165 S	*	10/1998	Nagele et al.	D13/108
D404,357 S	*	1/1999	Foster et al.	D13/108
D421,443 S	*	3/2000	Nagele et al.	D14/253
D430,846 S		9/2000	Kawakita et al.		
D433,996 S	*	11/2000	Ma	D13/110
D434,372 S	*	11/2000	Buchin et al.	D13/108
D466,511 S	*	12/2002	Croley et al.	D14/434
D474,737 S	*	5/2003	Yoshida	D13/108

D483,052 S	*	12/2003	Utsunomiya	D16/242
D483,327 S		12/2003	Matsuoka		
D508,459 S	*	8/2005	Yoshida	D13/108
D509,790 S	*	9/2005	Sakai	D13/108

OTHER PUBLICATIONS

Web page “HANDYCAM.DCR–PC350” <http://www.sony.jp/products/Consumer/handycam/PRODUCTS/DCR–PC350/parts.html> 1, Sheet, Sony (Jan. 2005).

* cited by examiner

Primary Examiner—Freda Nunn

Assistant Examiner—Rosemary K. Tarcza

(74) *Attorney, Agent, or Firm*—Rader, Fishman & Grauer PLLC

(57) **CLAIM**

The ornamental design for a combined charger and connector, as shown.

DESCRIPTION

FIG. 1 is a perspective view of a combined charger and connector showing my new design; FIG. 2 is a front elevational view thereof; FIG. 3 is a rear elevational view thereof; FIG. 4 is a left side elevational view thereof; FIG. 5 is a right side elevational view thereof; FIG. 6 is a top plan view thereof; and, FIG. 7 is a bottom plan view thereof.

1 Claim, 4 Drawing Sheets

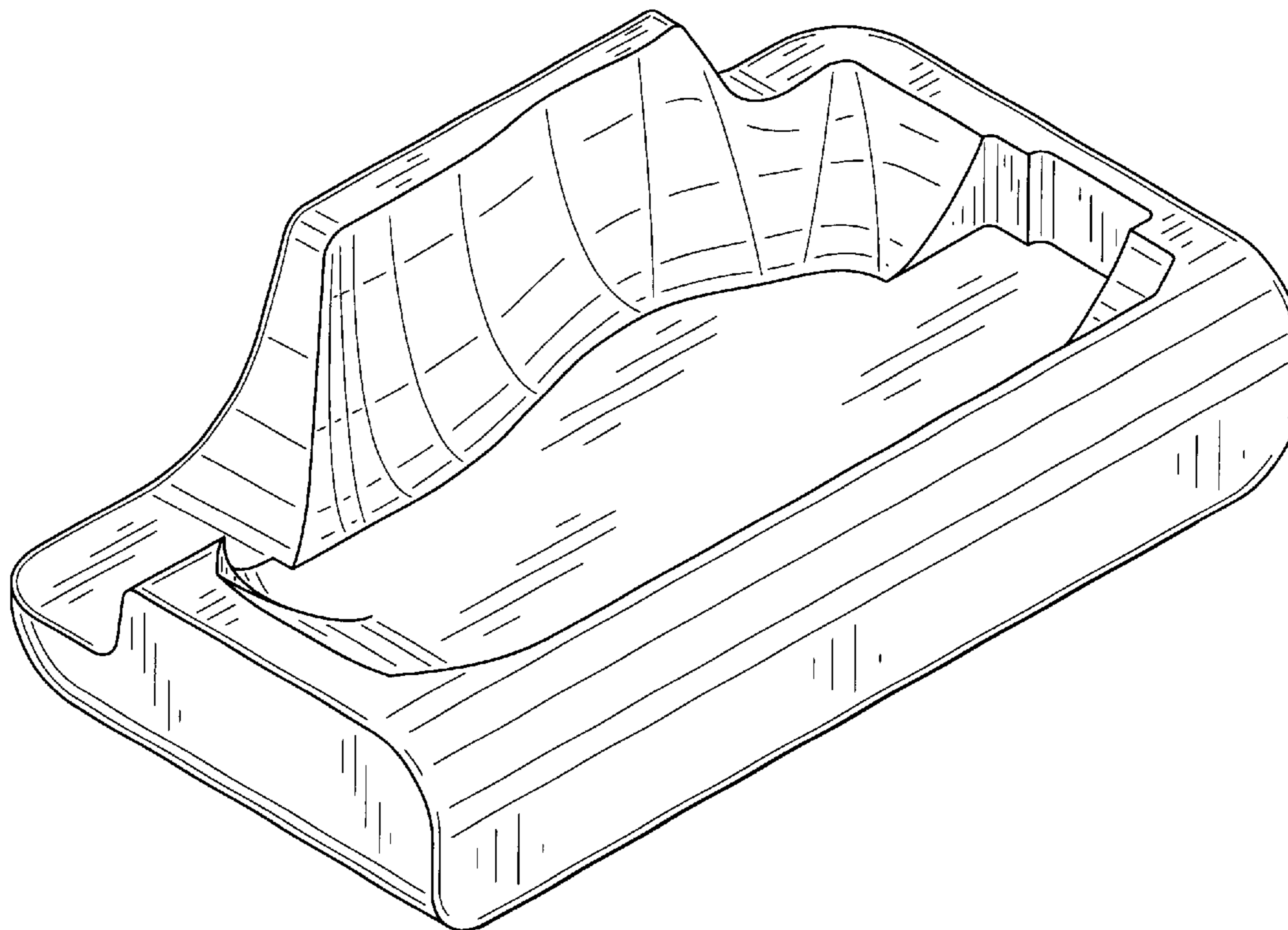


Fig.1

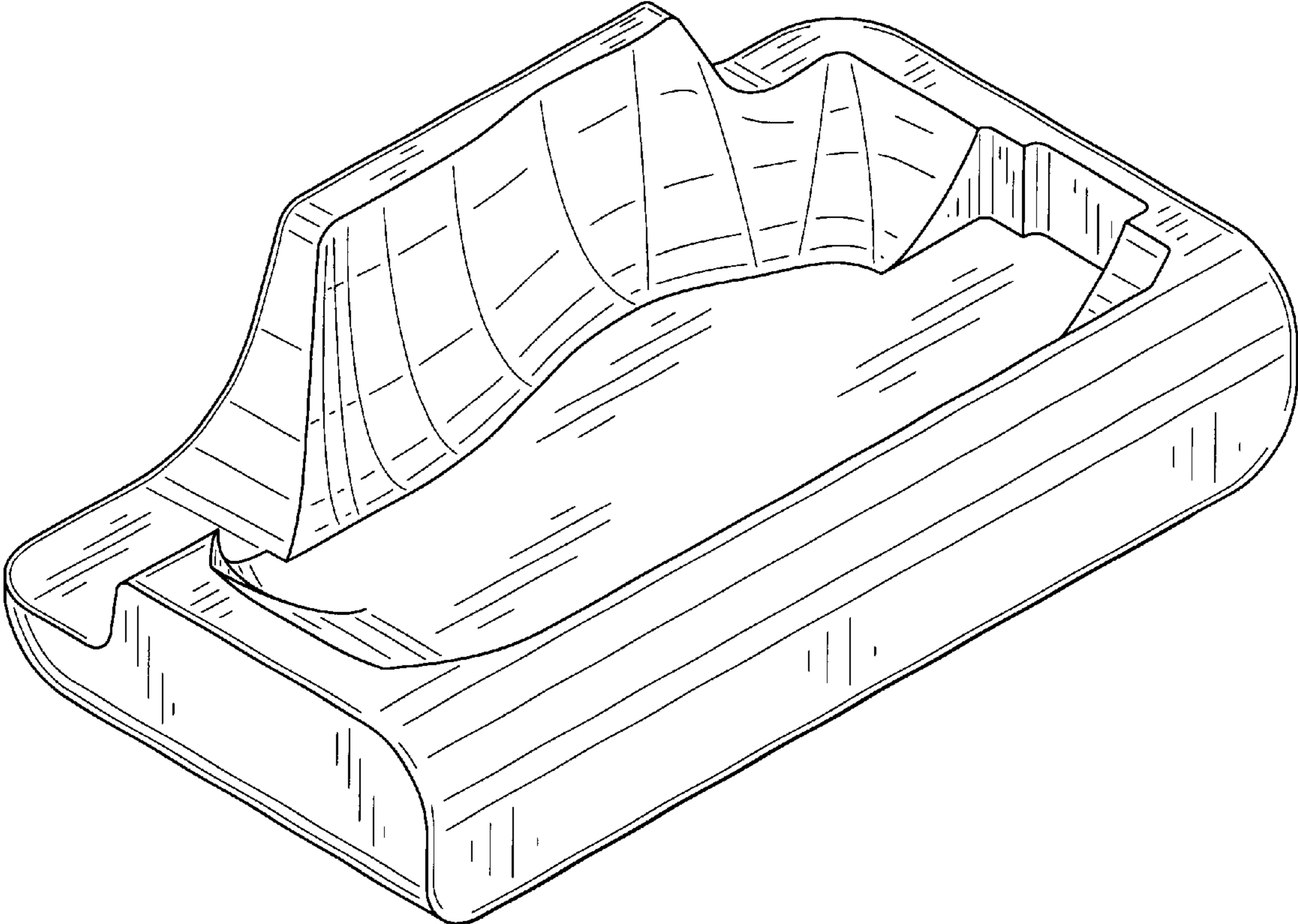


Fig.2

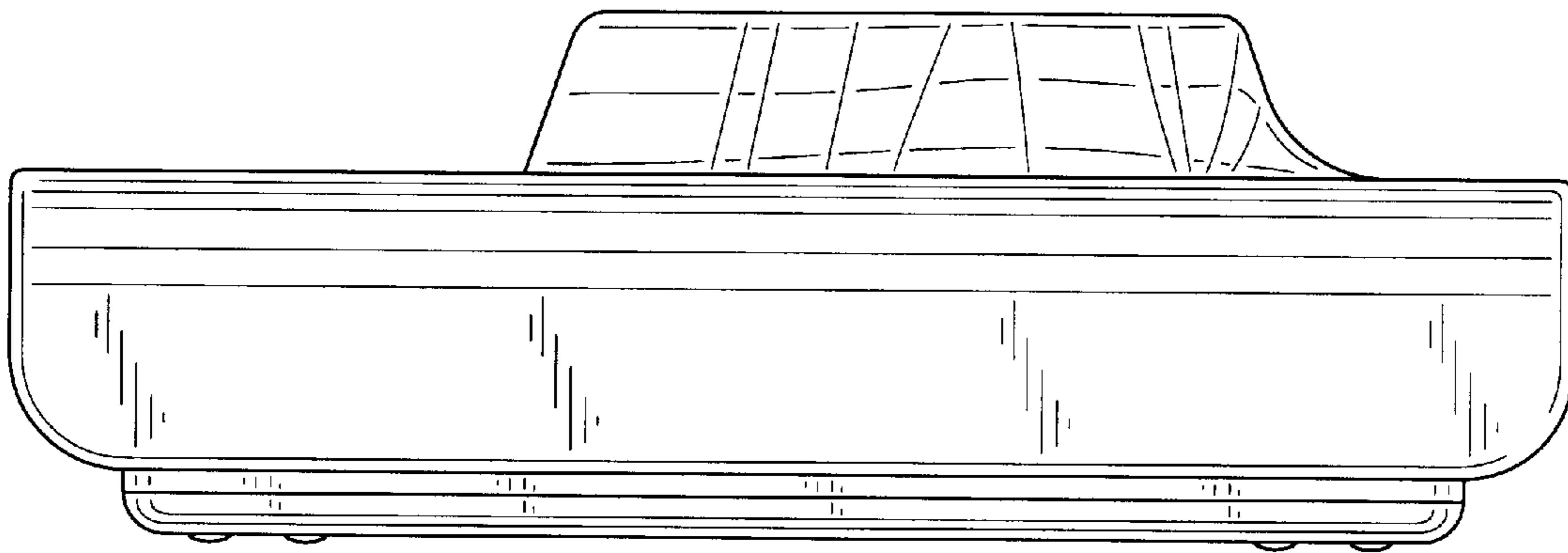


Fig.3

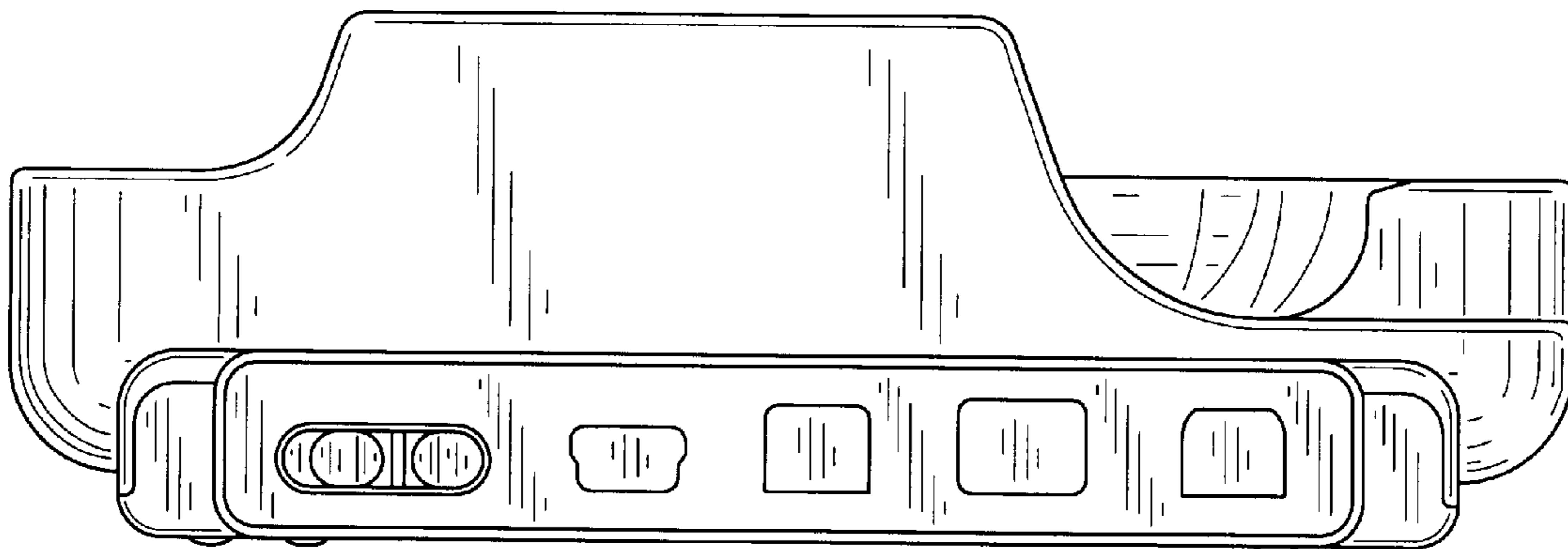


Fig.4

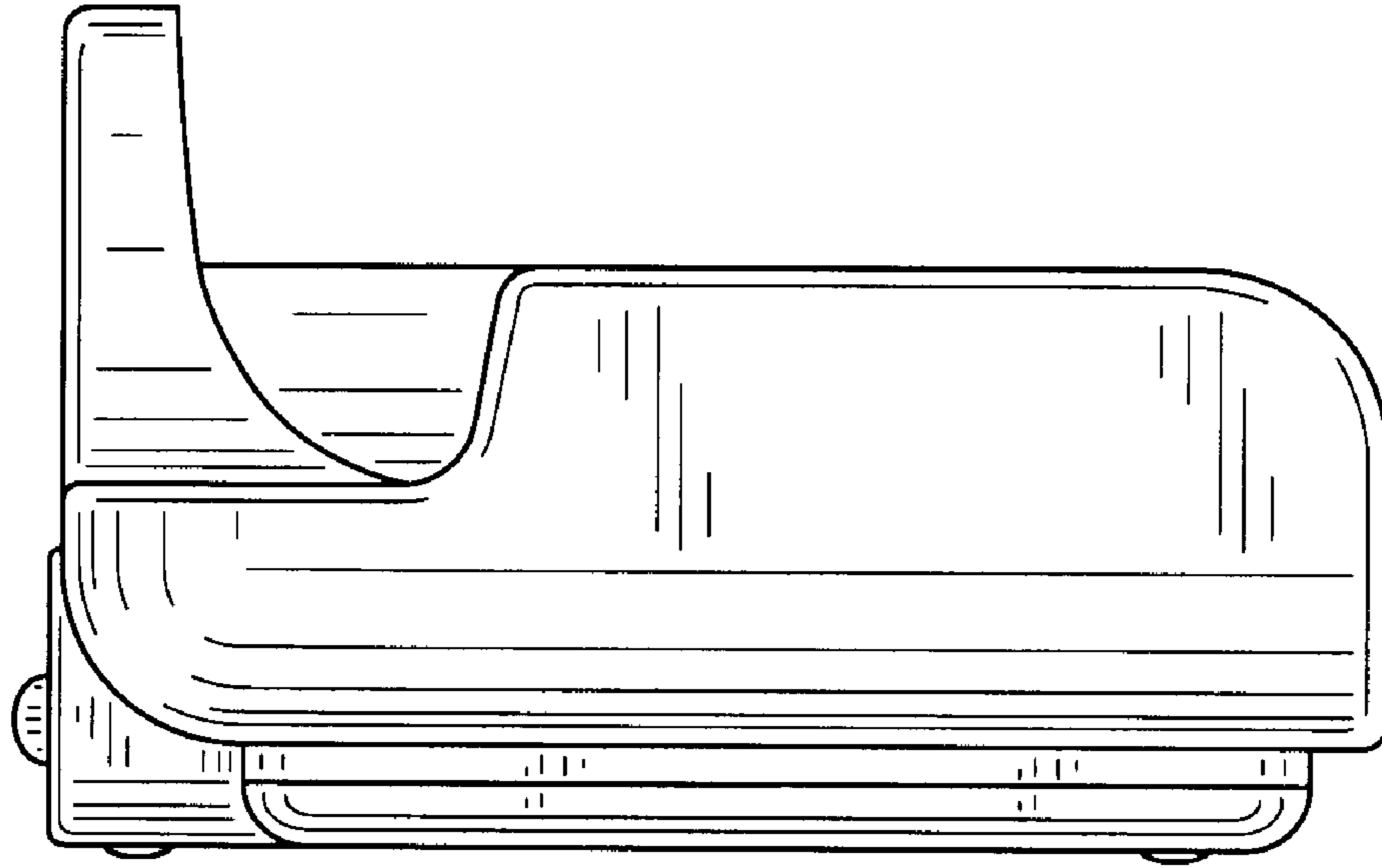


Fig.5

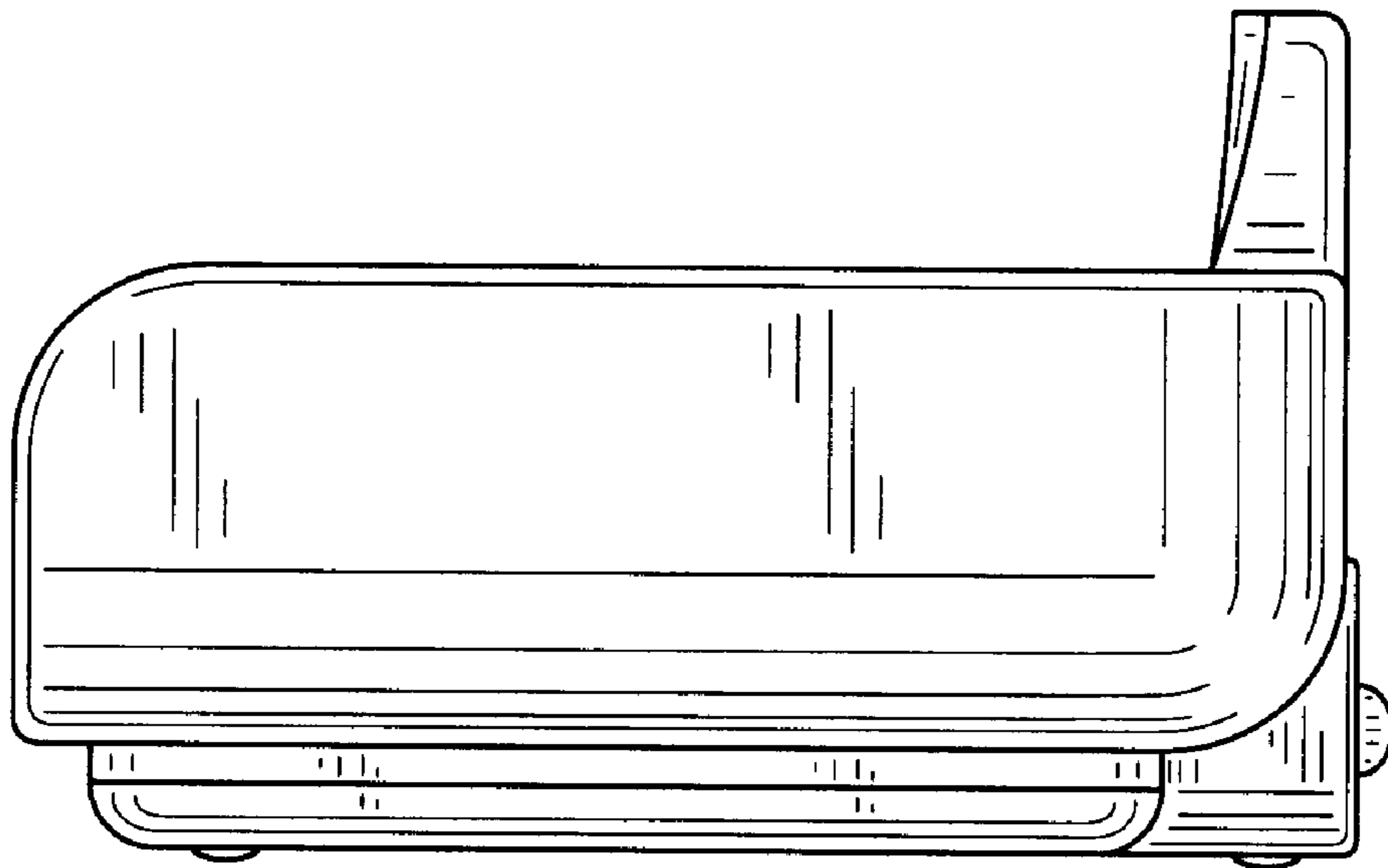


Fig.6

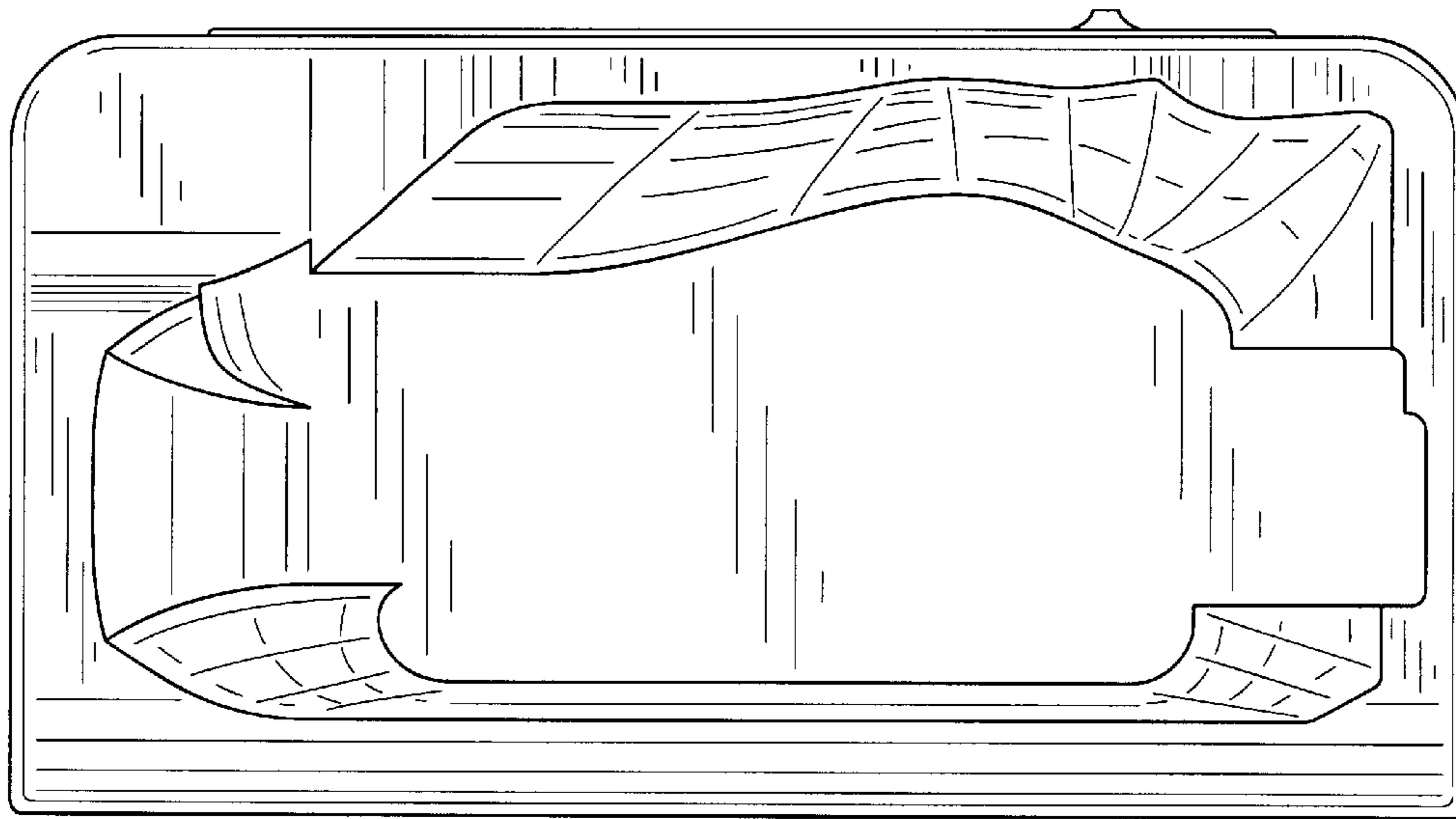


Fig.7

