

US00D521924S

(12) **United States Design Patent**  
**Valeri**

(10) **Patent No.:** **US D521,924 S**

(45) **Date of Patent:** **\*\* May 30, 2006**

(54) **DECORATIVE KIT FOR VEHICLES**

(76) **Inventor:** **Sue E. Valeri**, 283 Harrison Ave.,  
Harrison, NY (US) 10528

(\*\*) **Term:** **14 Years**

(21) **Appl. No.:** **29/242,554**

(22) **Filed:** **Nov. 14, 2005**

(51) **LOC (8) Cl.** ..... **12-16**

(52) **U.S. Cl.** ..... **D12/400**

(58) **Field of Classification Search** ..... D12/400,  
D12/190, 199, 197; D11/120, 137, 133-134,  
D11/157-158, 125-128, 121, 160, 181-183;  
362/249, 252, 806, 808, 223, 397, 31, 80.1;  
428/10, 11, 31, 3, 15, 98-99

See application file for complete search history.

(56) **References Cited**

**U.S. PATENT DOCUMENTS**

5,016,145 A	5/1991	Singleton	
D384,594 S	* 10/1997	Lara	D11/120
D411,484 S	* 6/1999	Hill	D11/183
D430,100 S	* 8/2000	Shurling	D12/400
6,158,702 A	12/2000	Kump	

D437,252 S	* 2/2001	Schultz	D11/120
D469,395 S	* 1/2003	Himsl et al.	D12/400
D471,508 S	* 3/2003	Schifrin	D12/400

\* cited by examiner

*Primary Examiner*—Stacia Cadmus

(74) *Attorney, Agent, or Firm*—Richard C. Litman

(57) **CLAIM**

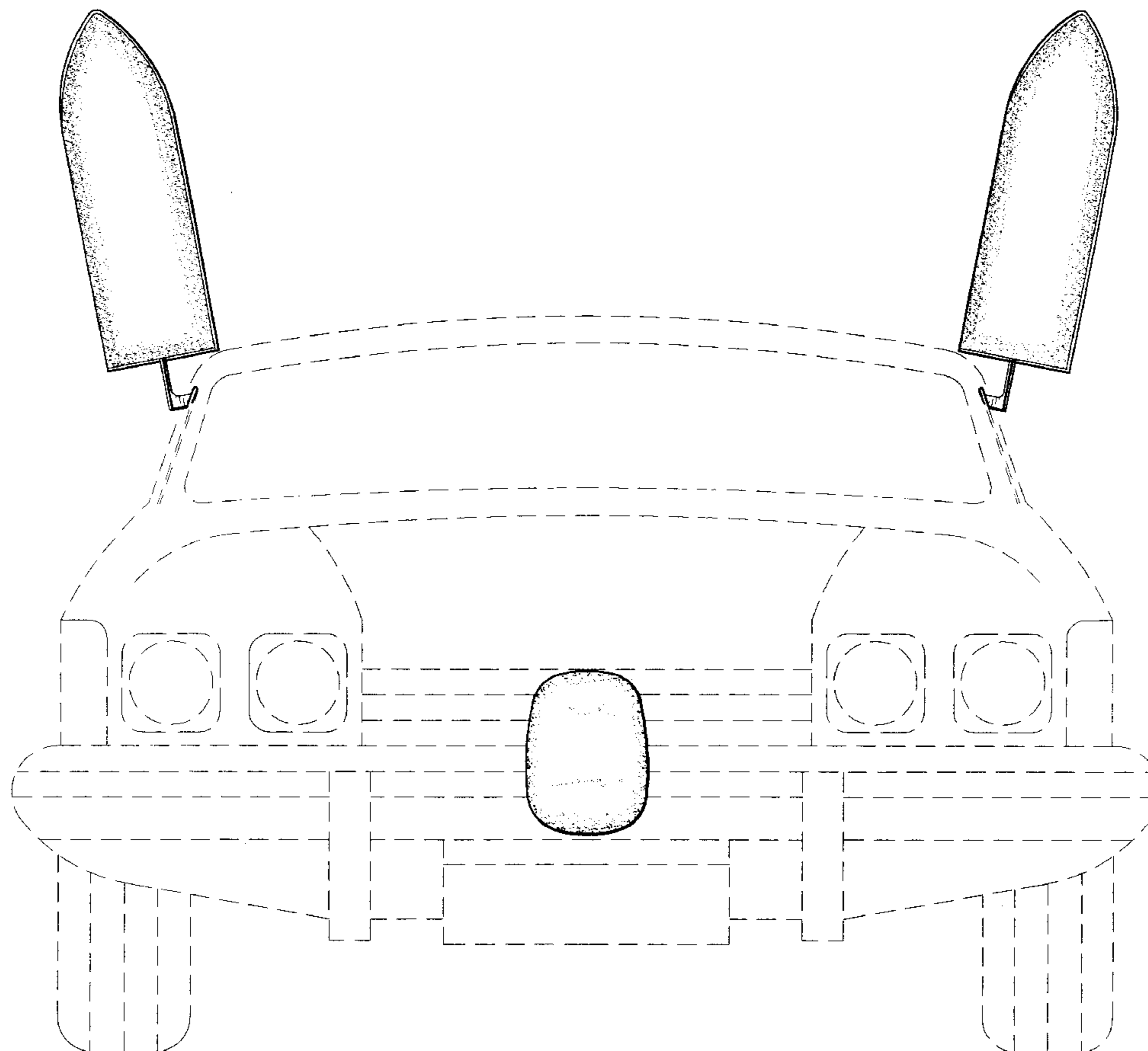
The ornamental design for a decorative kit for vehicles, as shown and described.

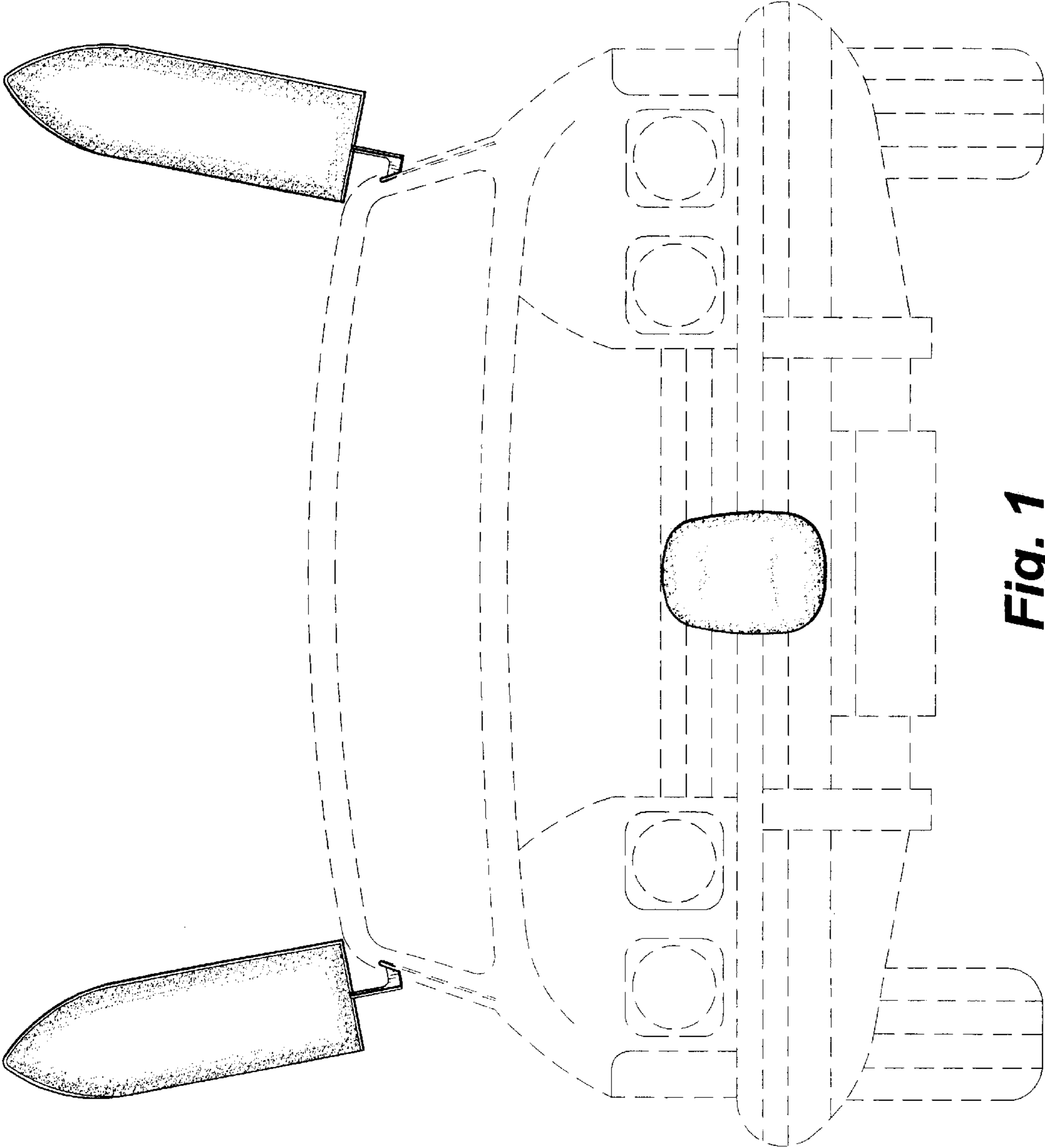
**DESCRIPTION**

FIG. 1 is a front view of a decorative kit for vehicles showing my new design, shown in its position of use; FIG. 2 is an enlarged front perspective view thereof; FIG. 3 is an enlarged rear perspective view thereof; and, FIG. 4 is an enlarged top plan view thereof.

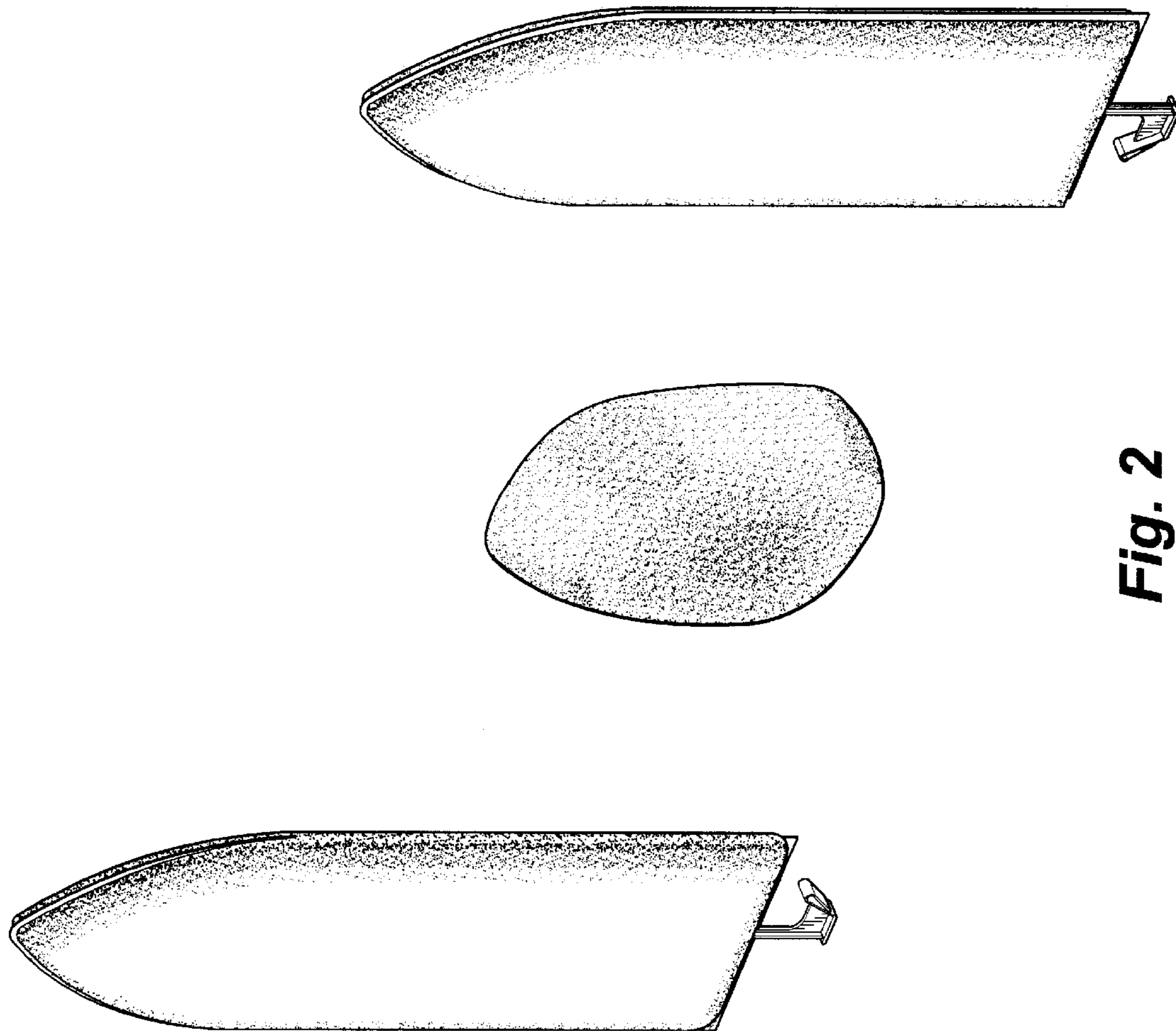
The broken line showing of the vehicle in FIG. 1 is for illustrative purposes only and forms no part of the claimed design. The broken line showing of the vehicle attachment in FIG. 4 is for illustrative purposes only, merely disclosing the types of attachments which may be used, and forms no part of the claimed design.

**1 Claim, 4 Drawing Sheets**

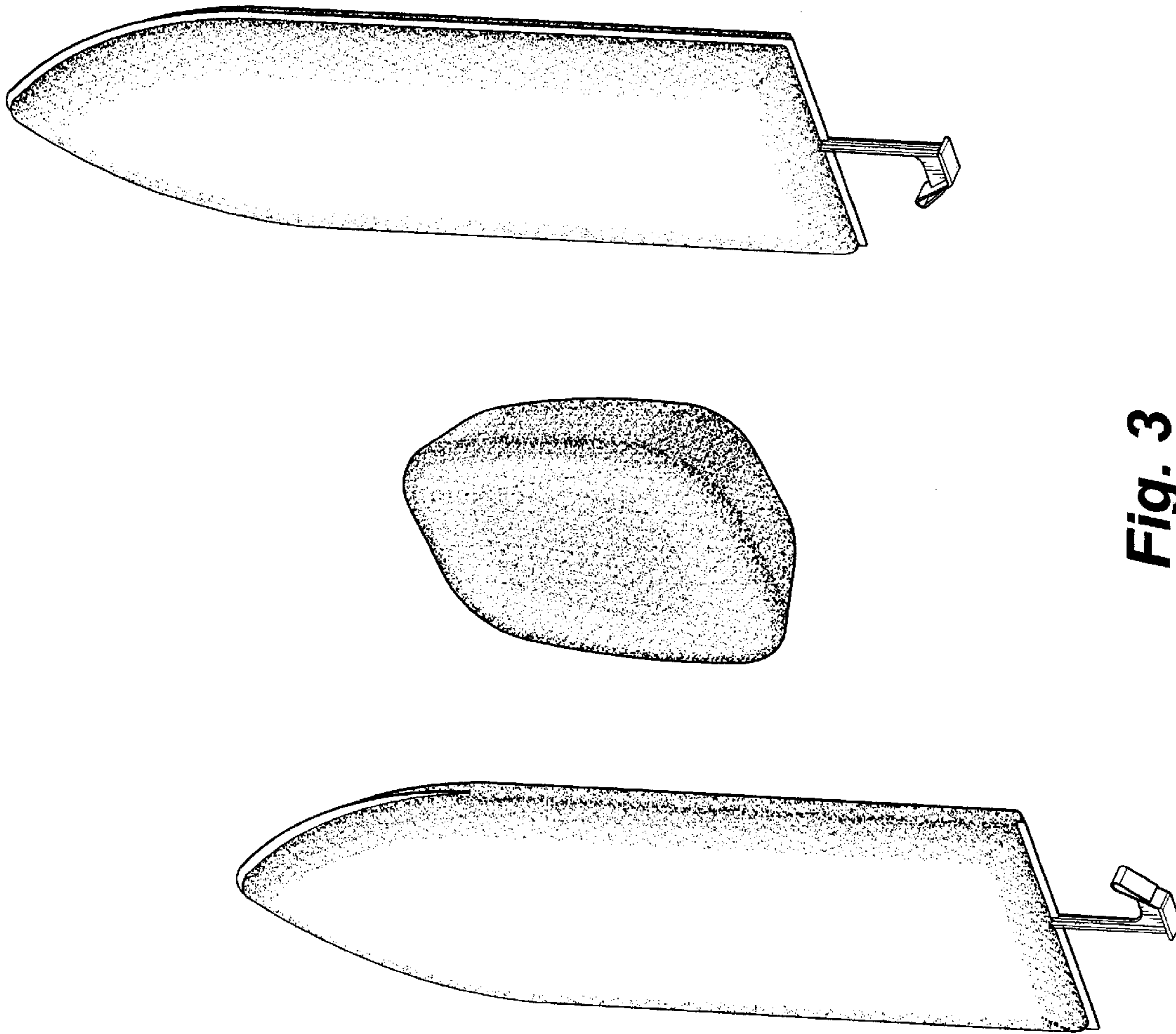




**Fig. 1**



**Fig. 2**



**Fig. 3**

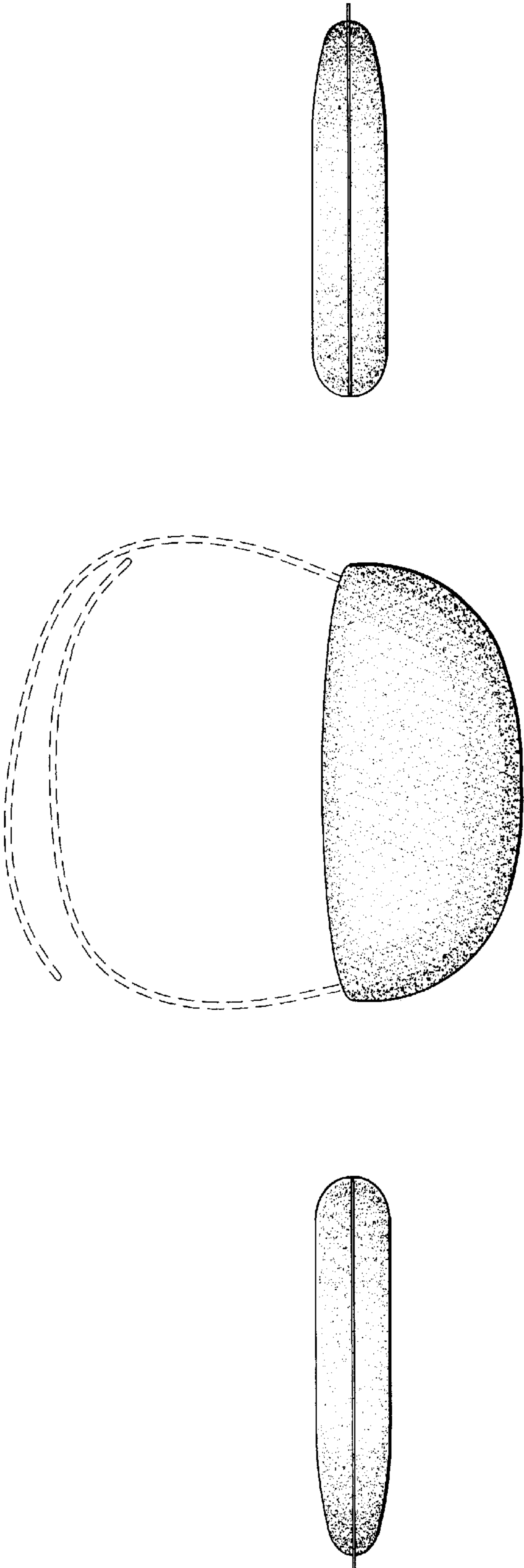


Fig. 4