



US00D521922S

(12) **United States Design Patent**
Scheu

(10) **Patent No.:** **US D521,922 S**

(45) **Date of Patent:** **** May 30, 2006**

(54) **FRONT FACE OF A VEHICLE WHEEL**

(75) Inventor: **Armin Scheu**, Stuttgart (DE)

(73) Assignee: **DaimlerChrysler AG**, Stuttgart (DE)

(**) Term: **14 Years**

(21) Appl. No.: **29/239,455**

(22) Filed: **Sep. 30, 2005**

(30) **Foreign Application Priority Data**

Apr. 6, 2005 (DE) 4 05 01 870

(51) **LOC (8) Cl.** **12-16**

(52) **U.S. Cl.** **D12/211**

(58) **Field of Classification Search** D12/204-213;
301/37.101, 64.101, 65

See application file for complete search history.

(56) **References Cited**

U.S. PATENT DOCUMENTS

- D414,454 S * 9/1999 Chung D12/211
- D423,445 S * 4/2000 Baumgartner D12/211
- D473,836 S * 4/2003 Laengerer D12/211

- D479,177 S * 9/2003 Nordmann D12/211
- D487,569 S * 3/2004 Laengerer D12/211
- D504,382 S * 4/2005 Elmitt D12/211
- D504,647 S * 5/2005 Leclercq D12/209
- D506,967 S * 7/2005 Kamimura D12/211
- D507,224 S * 7/2005 Pfeiffer D12/211

* cited by examiner

Primary Examiner—Stacia Cadmus

(74) *Attorney, Agent, or Firm*—Crowell & Moring LLP

(57) **CLAIM**

The ornamental design for a front face of a vehicle wheel, as shown and described.

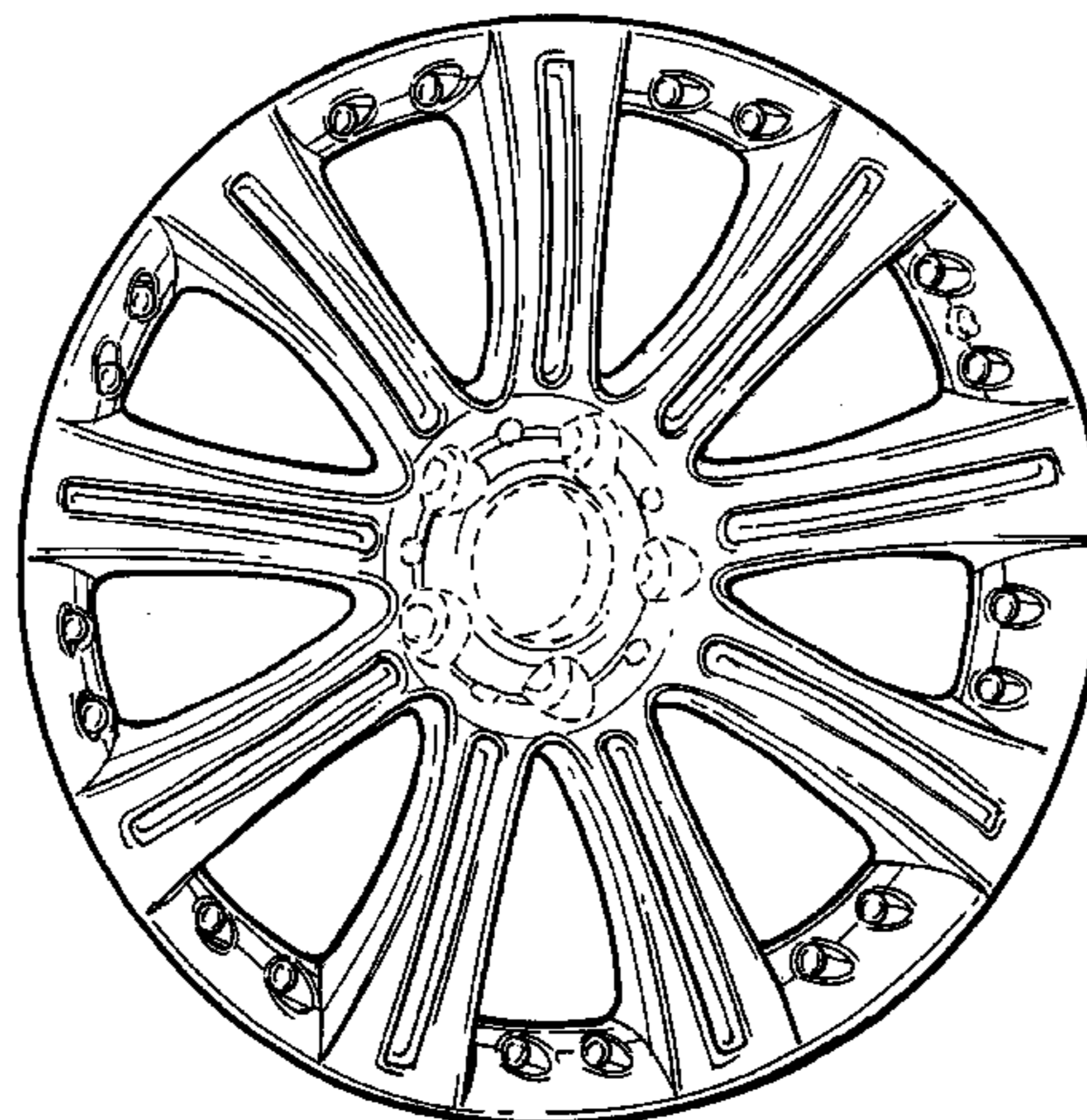
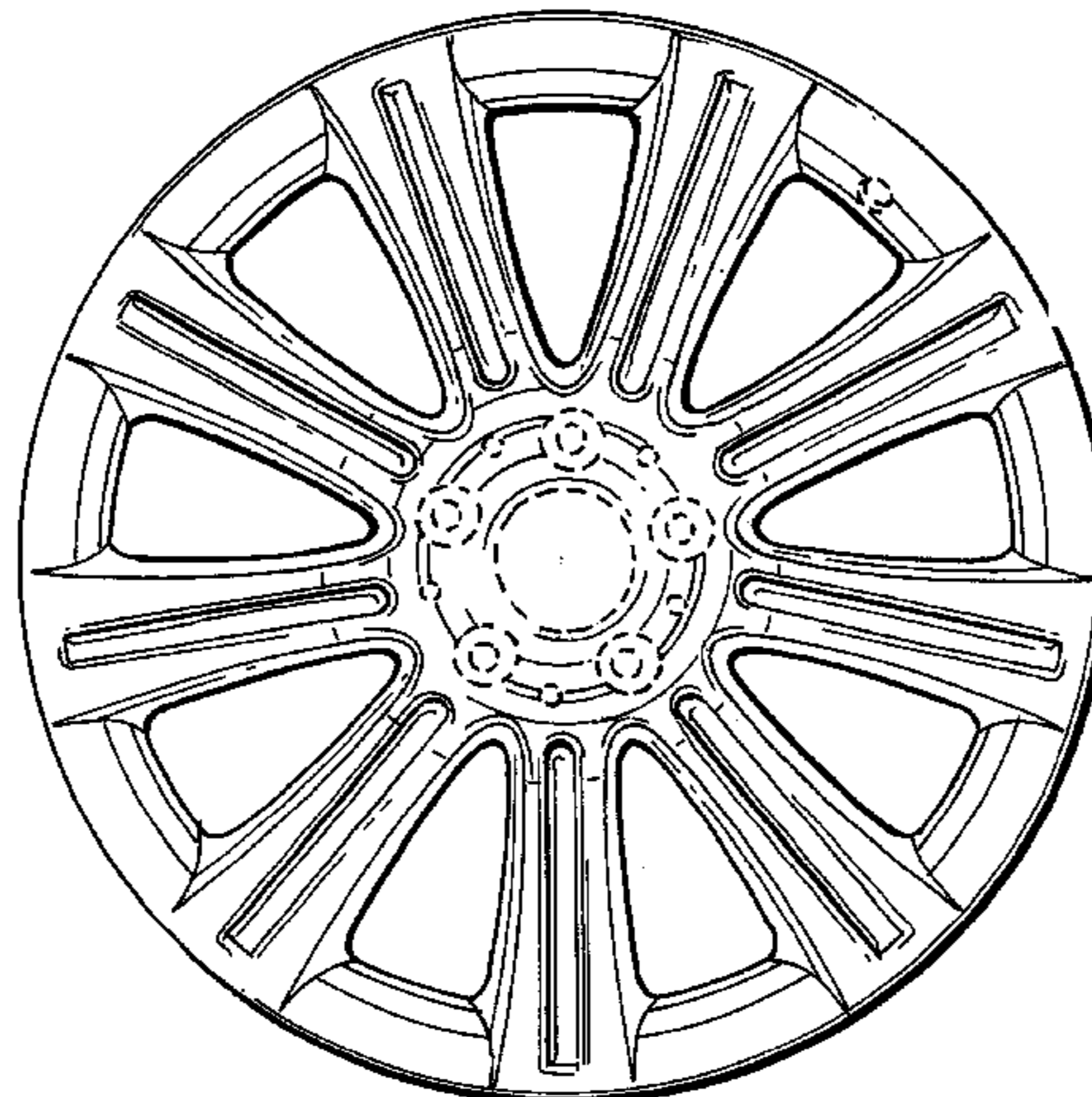
DESCRIPTION

FIG. 1 is a front view of a first embodiment of a front face of a vehicle wheel according to my novel design; and FIG. 2 is a perspective view thereof.

FIG. 3 is a front view of a second embodiment of the front face of a vehicle wheel according to my novel design; and, FIG. 4 is a perspective view thereof.

The broken lines are for illustrative purposes only and form no part of the claimed design.

1 Claim, 2 Drawing Sheets



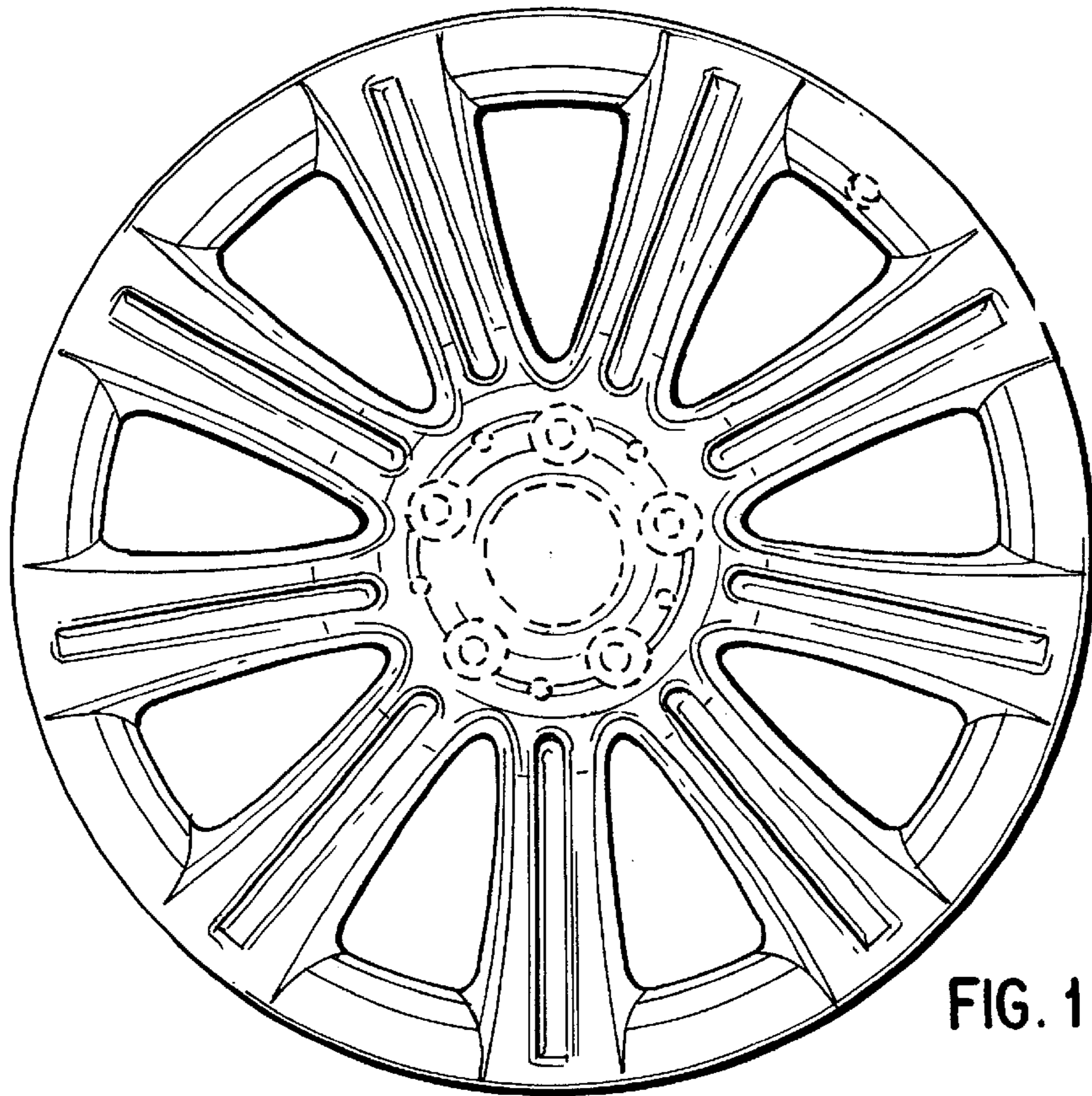


FIG. 1

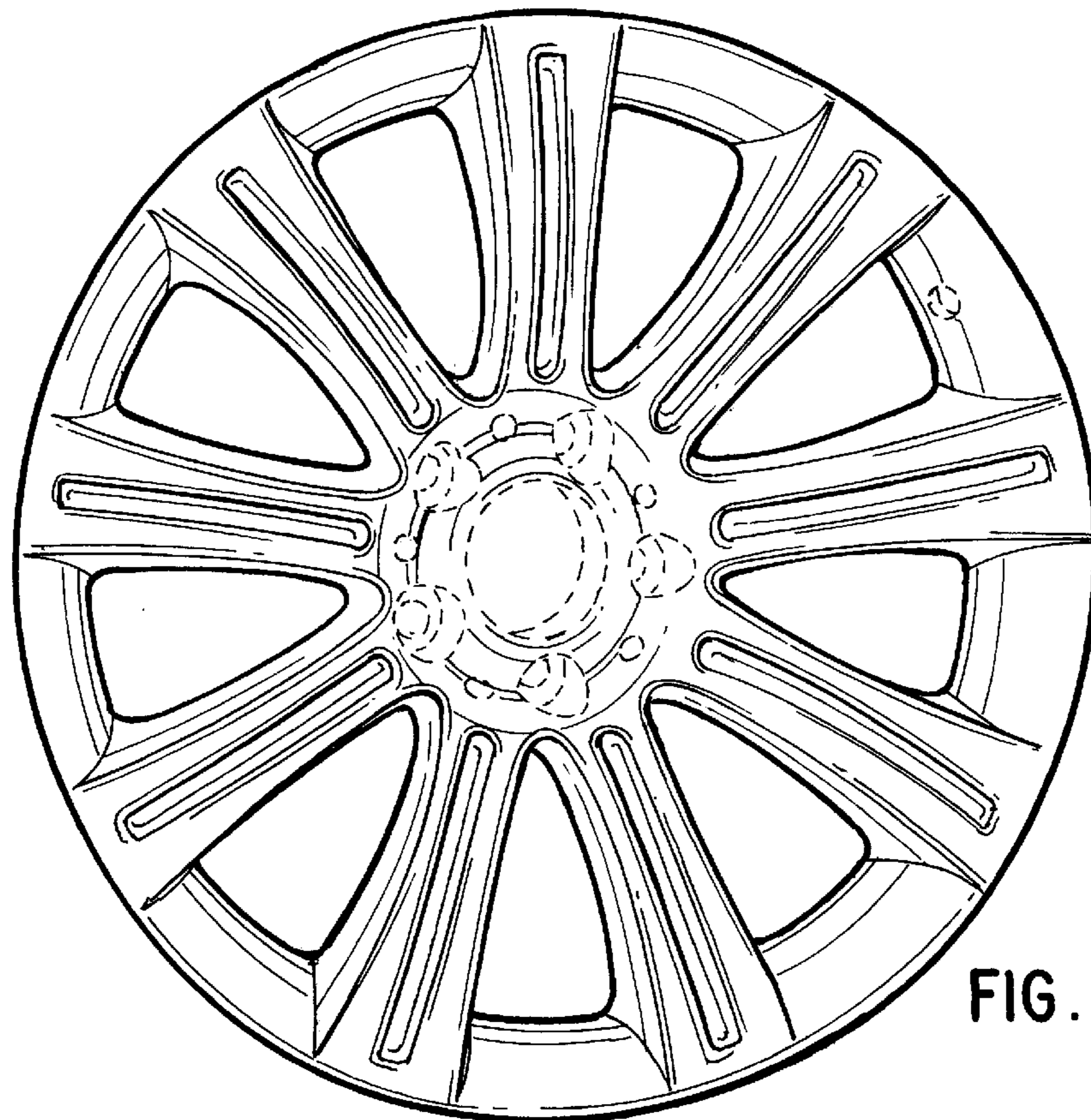


FIG. 2

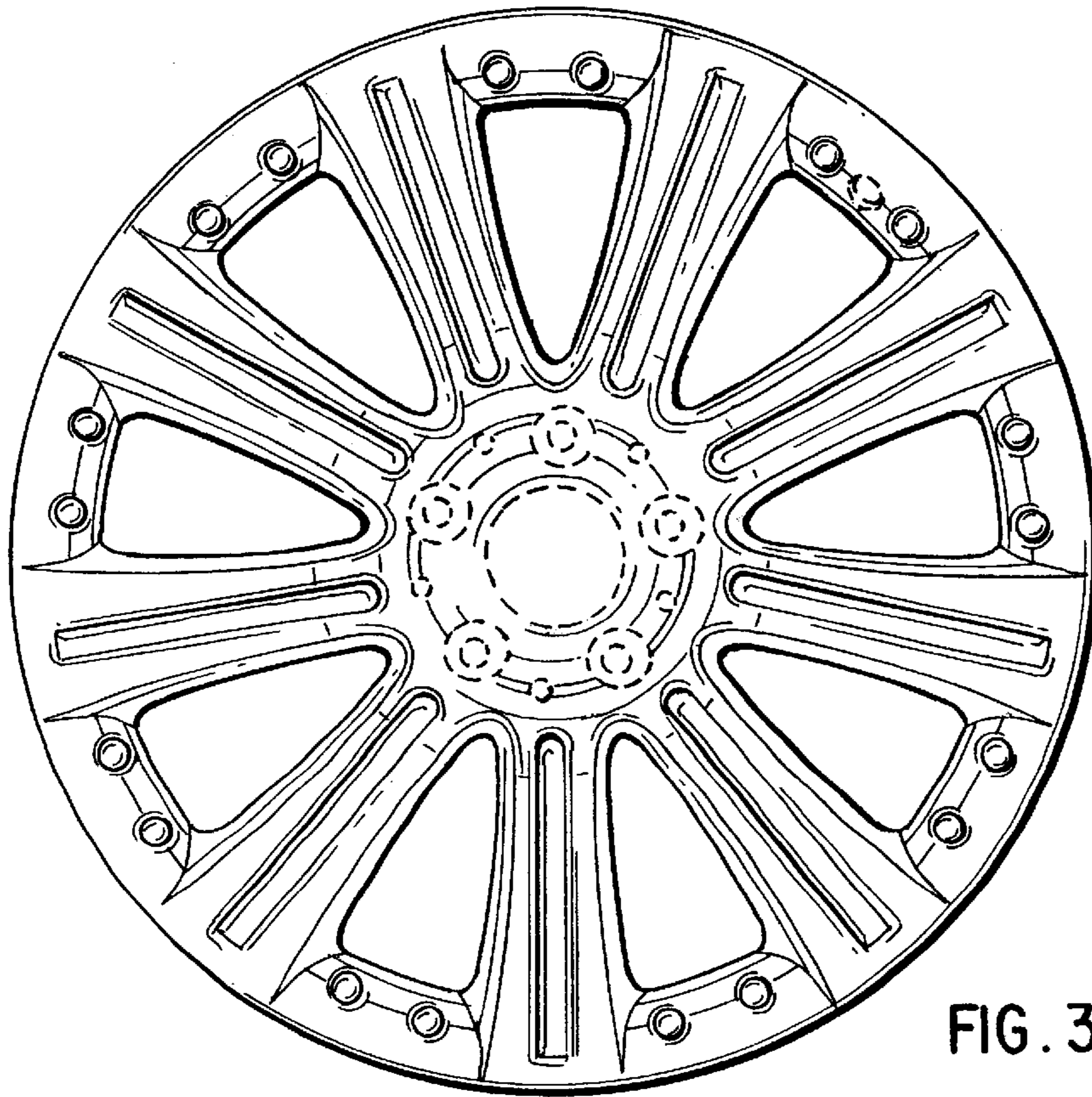


FIG. 3

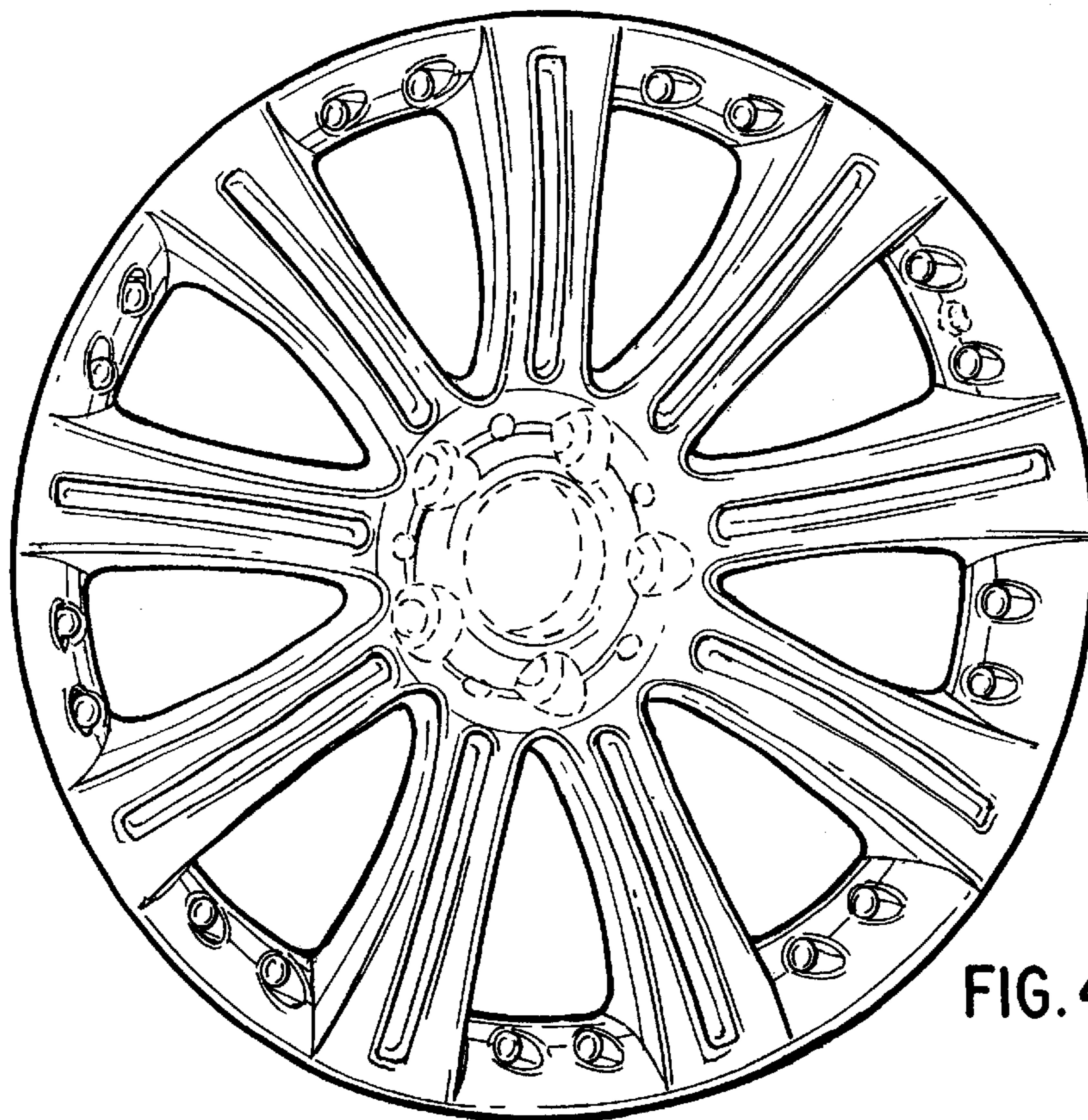


FIG. 4