

US00D521921S

(12) **United States Design Patent**  
**Hueller**

(10) **Patent No.:** **US D521,921 S**

(45) **Date of Patent:** **\*\* May 30, 2006**

(54) **FRONT FACE OF A VEHICLE WHEEL**

(75) Inventor: **Jochen Hueller**, Pforzheim (DE)

(73) Assignee: **Bayerische Motoren Werke  
Aktiengesellschaft**, Munich (DE)

(\*\*) Term: **14 Years**

(21) Appl. No.: **29/228,649**

(22) Filed: **Apr. 27, 2005**

(30) **Foreign Application Priority Data**

Oct. 28, 2004 (DE) ..... 40406173

(51) **LOC (8) Cl.** ..... **12-16**

(52) **U.S. Cl.** ..... **D12/209**

(58) **Field of Classification Search** ..... D12/204-213;  
301/37.101, 64.101, 65

See application file for complete search history.

(56) **References Cited**

**U.S. PATENT DOCUMENTS**

D444,118 S \* 6/2001 Chung ..... D12/211  
D453,131 S \* 1/2002 Gabath ..... D12/209  
D453,133 S \* 1/2002 Murkett et al. .... D12/209

D480,674 S \* 10/2003 Lecher et al. .... D12/209  
D486,113 S \* 2/2004 Lecher et al. .... D12/211  
D491,123 S \* 6/2004 Lai ..... D12/209  
D499,059 S \* 11/2004 Cahyono ..... D12/209  
D500,725 S \* 1/2005 Hong ..... D12/211  
D503,918 S \* 4/2005 Fahr-Becker ..... D12/211  
D505,373 S \* 5/2005 Pfeiffer ..... D12/209  
D505,903 S \* 6/2005 Nordmann ..... D12/209

\* cited by examiner

*Primary Examiner*—Stacia Cadmus

(74) *Attorney, Agent, or Firm*—Crowell & Moring LLP

(57) **CLAIM**

The ornamental design for a front face of a vehicle wheel,  
as shown and described.

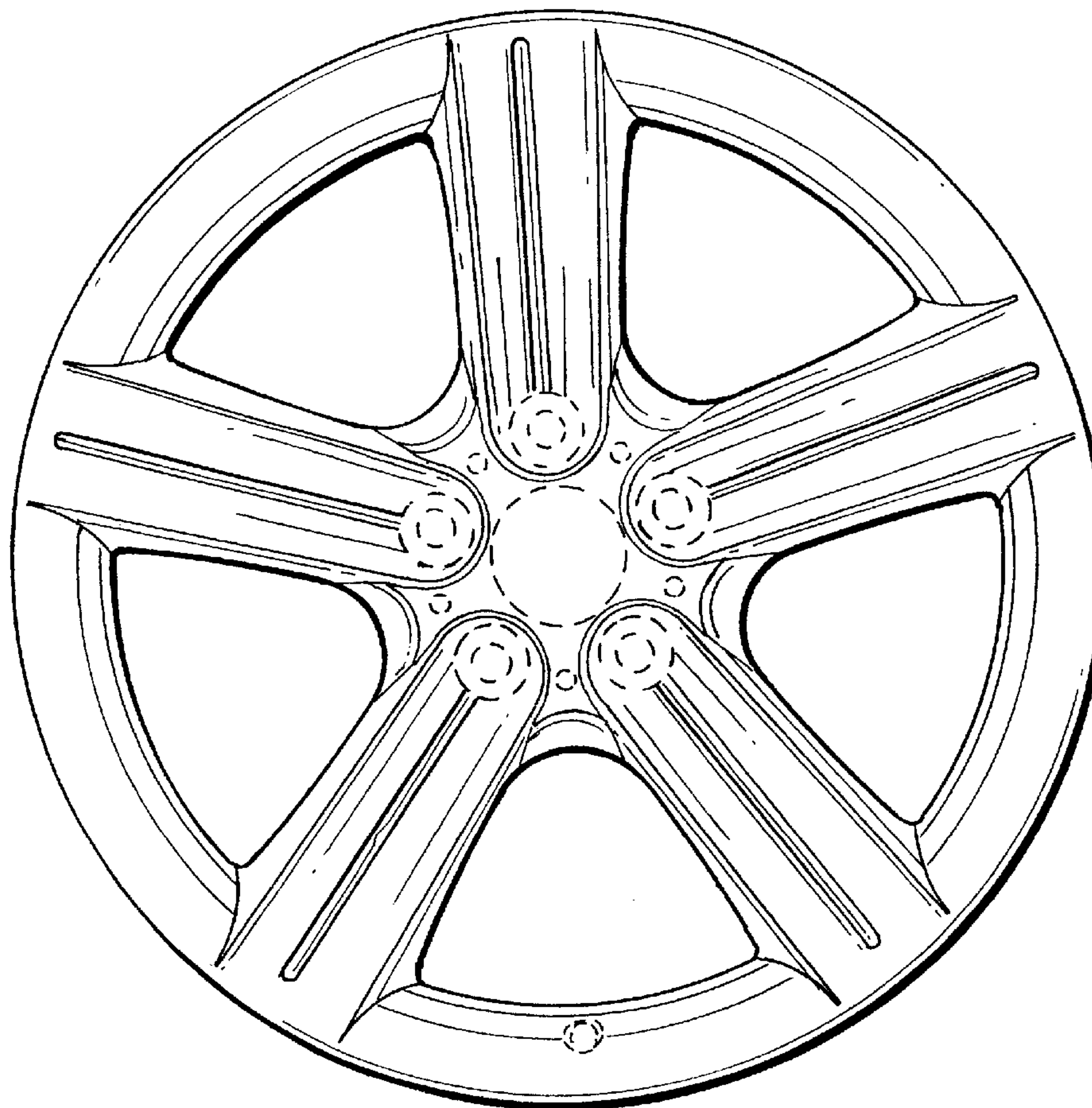
**DESCRIPTION**

FIG. 1 is a front view of a front face of a vehicle wheel  
according to my novel design; and,

FIG. 2 is a perspective view of the front face of a vehicle  
wheel according to my novel design.

The broken lines are for illustrative purposes only and form  
no part of the claimed design.

**1 Claim, 1 Drawing Sheet**



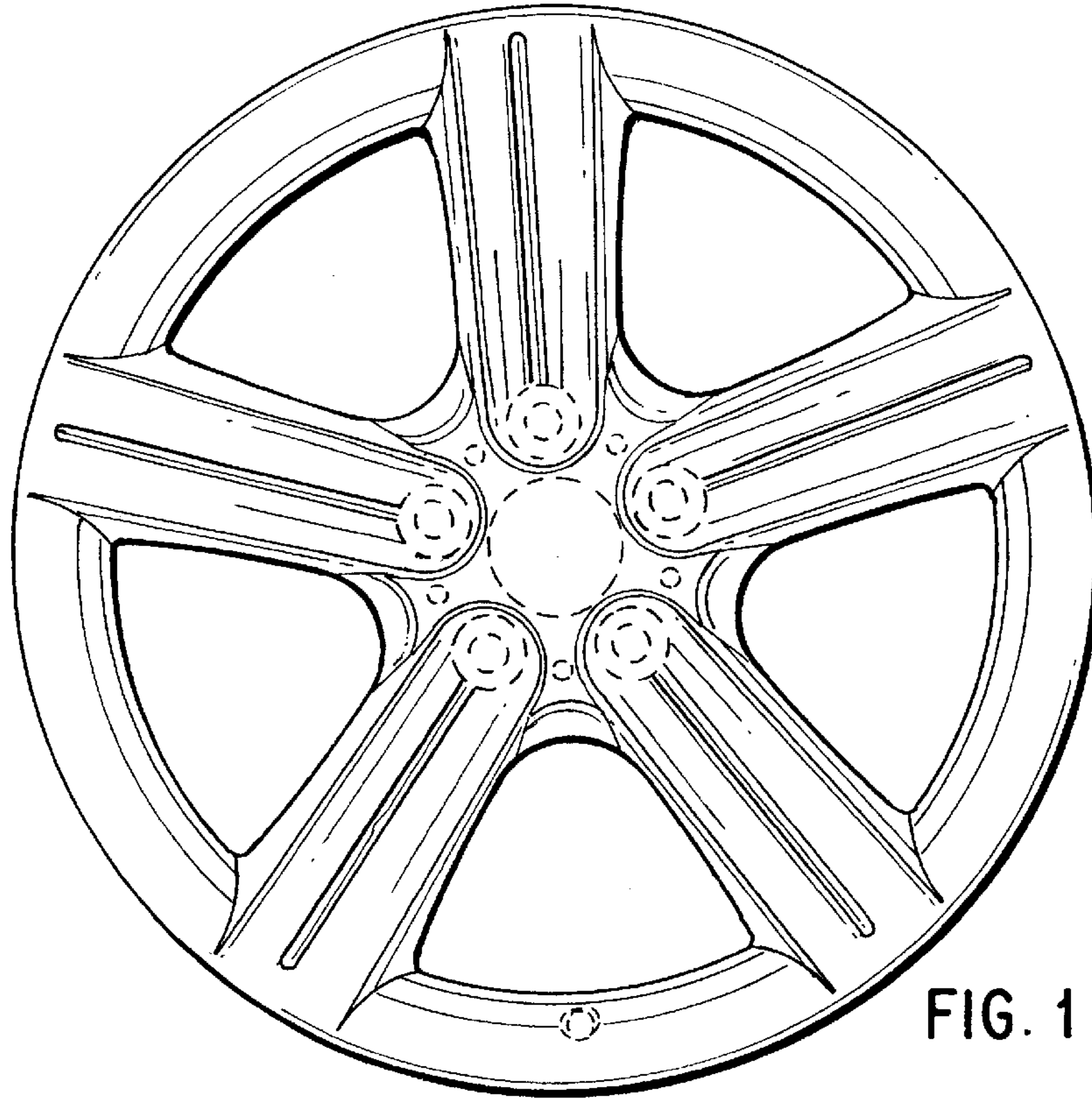


FIG. 1

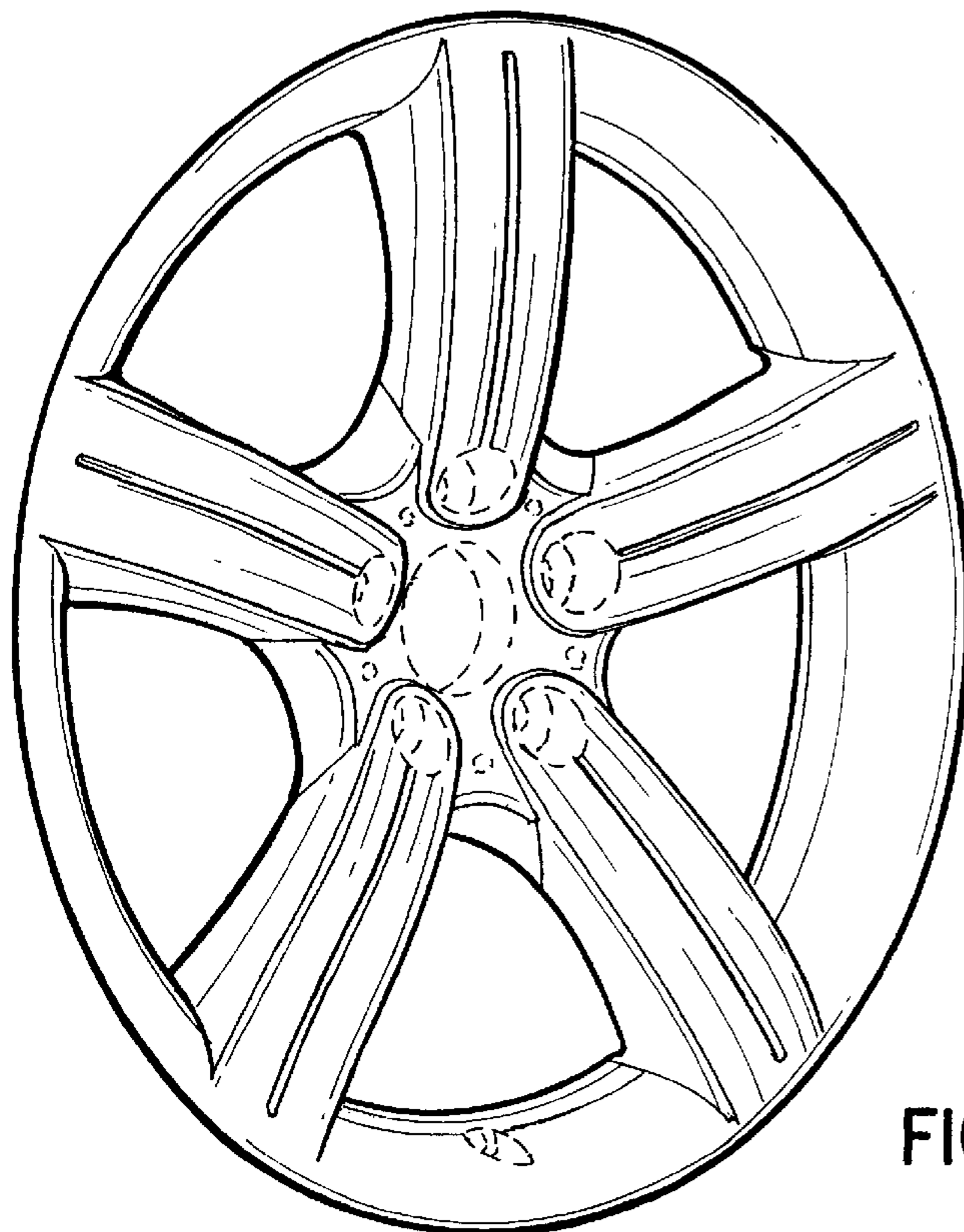


FIG. 2