



US00D521920S

(12) **United States Design Patent**
Phillips

(10) **Patent No.:** **US D521,920 S**

(45) **Date of Patent:** **** May 30, 2006**

(54) **WHEEL**

(75) **Inventor:** **Thomas Evan Phillips**, San Jose, CA (US)

(73) **Assignee:** **SJCA Wheels, Incorporated**, San Jose, CA (US)

(**) **Term:** **14 Years**

(21) **Appl. No.:** **29/216,276**

(22) **Filed:** **Nov. 2, 2004**

(51) **LOC (8) Cl.** **12-16**

(52) **U.S. Cl.** **D12/209**

(58) **Field of Classification Search** D12/204–213;
301/37.101, 64.101, 65
See application file for complete search history.

(56) **References Cited**

U.S. PATENT DOCUMENTS

D403,289 S	12/1998	Watanabe	D12/209
D418,794 S	1/2000	Chung	D12/209
D422,258 S	* 4/2000	Hale, Jr.	D12/211
D423,442 S	4/2000	Hussaini et al.	D12/209
D433,373 S	11/2000	Hussaini et al.	D12/209
D433,375 S	11/2000	Fitzgerald	D12/209
D463,769 S	* 10/2002	Chung	D12/211
D469,049 S	1/2003	Kataoka	D12/209
D469,728 S	2/2003	Kataoka	D12/209

D477,262 S	*	7/2003	Koch	D12/209
D481,342 S		10/2003	Kang	D12/209
D481,343 S		10/2003	Kang	D12/209
D481,347 S		10/2003	Kang	D12/211
D481,348 S		10/2003	Kang	D12/211
D495,285 S	*	8/2004	Phillips	D12/209
D495,290 S	*	8/2004	Chung	D12/211
D495,648 S		9/2004	Kang	D12/209
D496,317 S		9/2004	Kataoka	D12/209
D503,919 S	*	4/2005	Cahyono	D12/211
D505,372 S	*	5/2005	Kushartanto	D12/209
D506,172 S	*	6/2005	Pfeiffer	D12/211
D508,452 S	*	8/2005	Tirado	D12/209
D510,309 S	*	10/2005	Cheng	D12/211

* cited by examiner

Primary Examiner—Stacia Cadmus

(74) *Attorney, Agent, or Firm*—Park Law Firm; John K. Park

(57) **CLAIM**

The ornamental design for a wheel, as shown and described.

DESCRIPTION

FIG. 1 is a perspective view of a wheel showing my new design; and,

FIG. 2 is a front elevational view of FIG. 1.

The broken line showing of environment is for illustrative purposes only and forms no part of the claimed design.

1 Claim, 2 Drawing Sheets

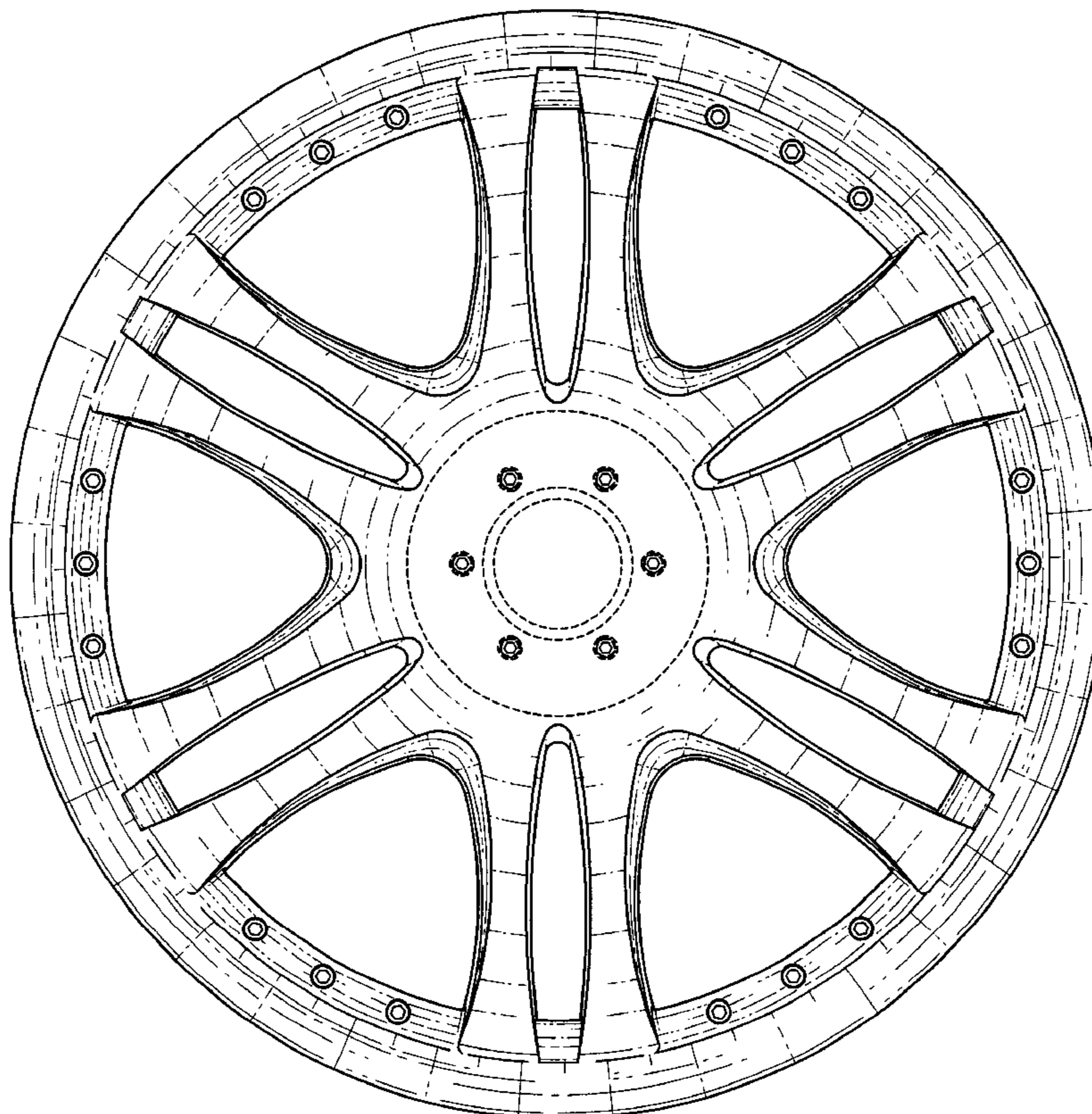


FIG. 1

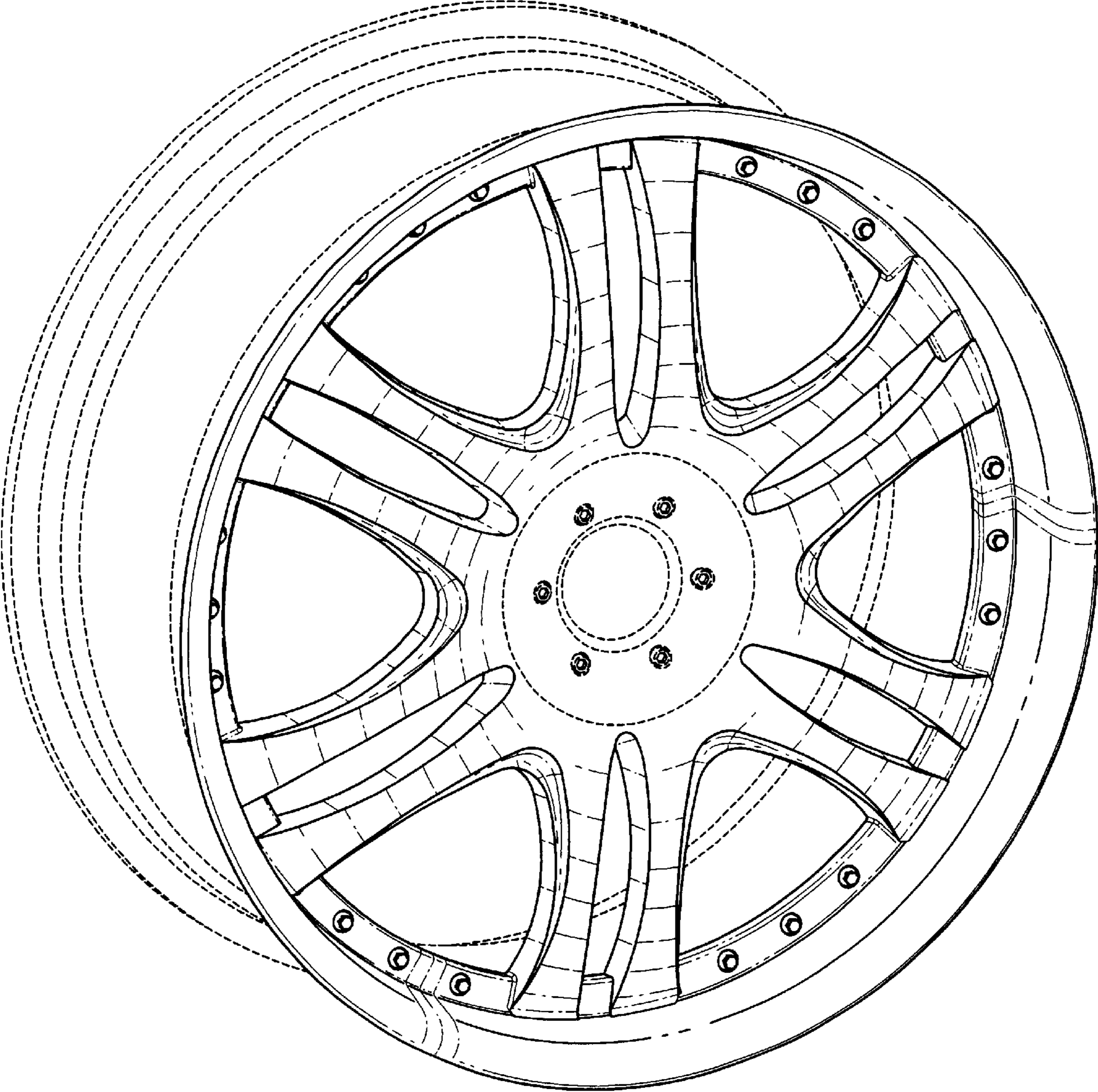


FIG. 2

