



US00D521917S

(12) **United States Design Patent**
Takagi et al.

(10) **Patent No.:** **US D521,917 S**
(45) **Date of Patent:** **** May 30, 2006**

(54) **DOOR LINING OF AN AUTOMOBILE**

D468,246 S * 1/2003 Wyszogrod et al. D12/195
D489,304 S * 5/2004 Schowalter et al. D12/195

(75) Inventors: **Yozo Takagi**, Wako (JP); **Keigo Abe**,
Wako (JP)

FOREIGN PATENT DOCUMENTS

(73) Assignee: **Honda Motor Co., Ltd.**, Tokyo (JP)

| | | |
|----|---------|---------|
| JP | 998096 | 12/1997 |
| JP | 1102910 | 3/2001 |
| JP | 1181487 | 8/2003 |

(**) Term: **14 Years**

* cited by examiner

(21) Appl. No.: **29/201,669**

Primary Examiner—Stacia Cadmus

(22) Filed: **Mar. 19, 2004**

(74) *Attorney, Agent, or Firm*—Sughrue Mion, PLLC

(30) **Foreign Application Priority Data**

(57) **CLAIM**

Sep. 24, 2003 (JP) 2003-027870

The ornamental design for a door lining of an automobile, as shown and described.

(51) **LOC (8) Cl.** **12-08**

DESCRIPTION

(52) **U.S. Cl.** **D12/195**

(58) **Field of Classification Search** D12/195,
D12/190; 49/501–502; 296/37.1, 37.13, 149,
296/153, 146.1

See application file for complete search history.

FIG. 1 is a perspective view of the top, front and left side of a door lining of an automobile showing our new design; FIG. 2 is a perspective view of the top, front and right side thereof; FIG. 3 is a front elevational view thereof; FIG. 4 is a rear elevational view thereof; FIG. 5 is a top plan view thereof; FIG. 6 is a bottom plan view thereof; FIG. 7 is a left side elevational view thereof; FIG. 8 is a right side elevational view thereof; FIG. 9 is a sectional view to show the contour of the lining along the line 9—9 in FIG. 3; FIG. 10 is a sectional view to show the contour of the lining along the line 10—10 in FIG. 3; and, FIG. 11 is a sectional view along the line 11—11 in FIG. 3.

(56) **References Cited**

U.S. PATENT DOCUMENTS

| | | | | | |
|------------|---|---------|-----------------|-------|---------|
| D347,615 S | * | 6/1994 | Lim | | D12/195 |
| D387,024 S | * | 12/1997 | Hellhake et al. | | D12/195 |
| D409,965 S | * | 5/1999 | Mueller et al. | | D12/195 |
| D411,157 S | * | 6/1999 | Sacco et al. | | D12/195 |
| D415,461 S | * | 10/1999 | Sacco et al. | | D12/195 |
| D433,978 S | * | 11/2000 | Tsay | | D12/195 |
| D435,003 S | * | 12/2000 | Tsay | | D12/195 |
| D458,883 S | * | 6/2002 | Tsay et al. | | D12/195 |
| D463,343 S | * | 9/2002 | Siegert | | D12/195 |
| D467,211 S | * | 12/2002 | Pfeiffer et al. | | D12/195 |

1 Claim, 11 Drawing Sheets

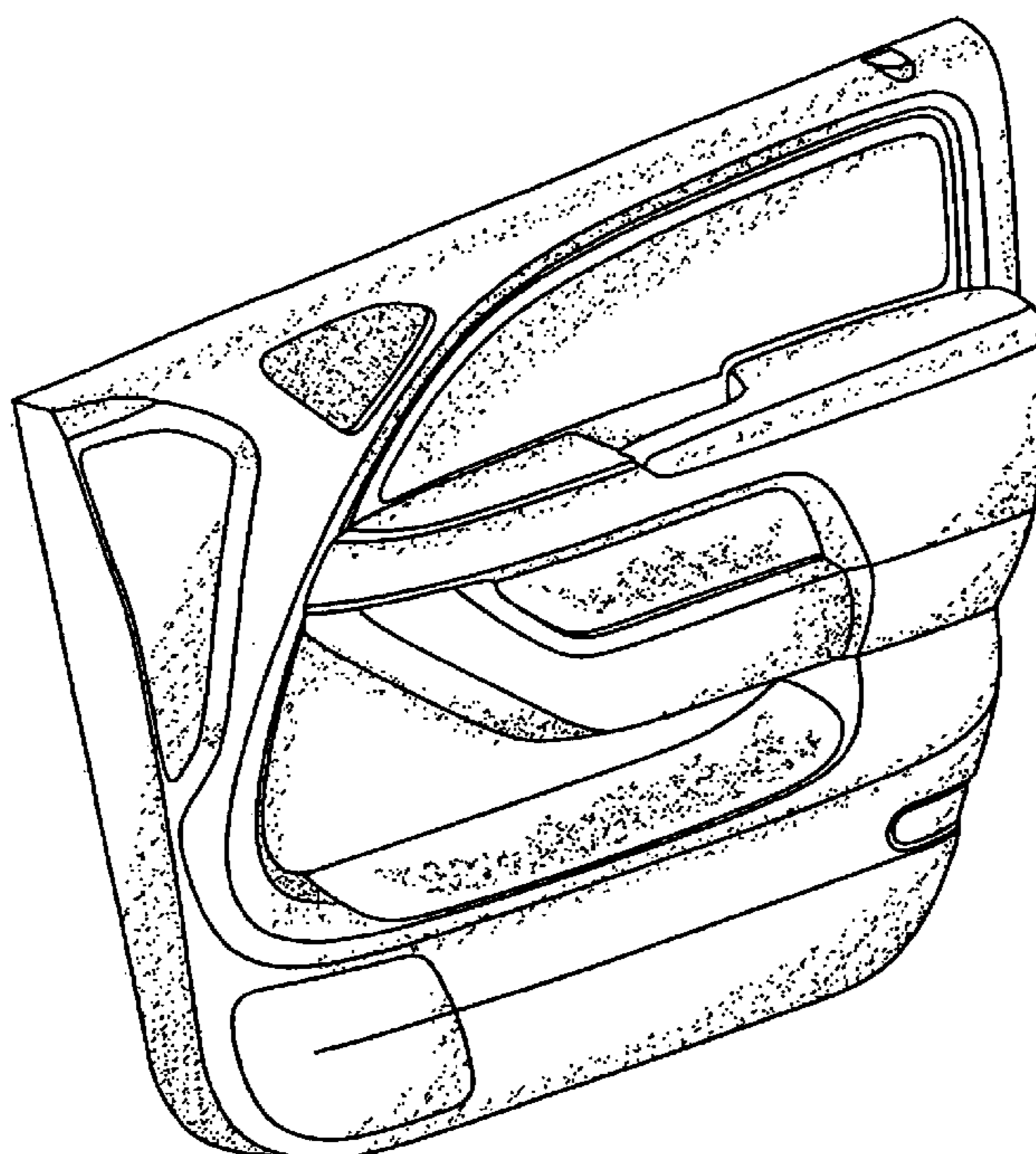


FIG. 1

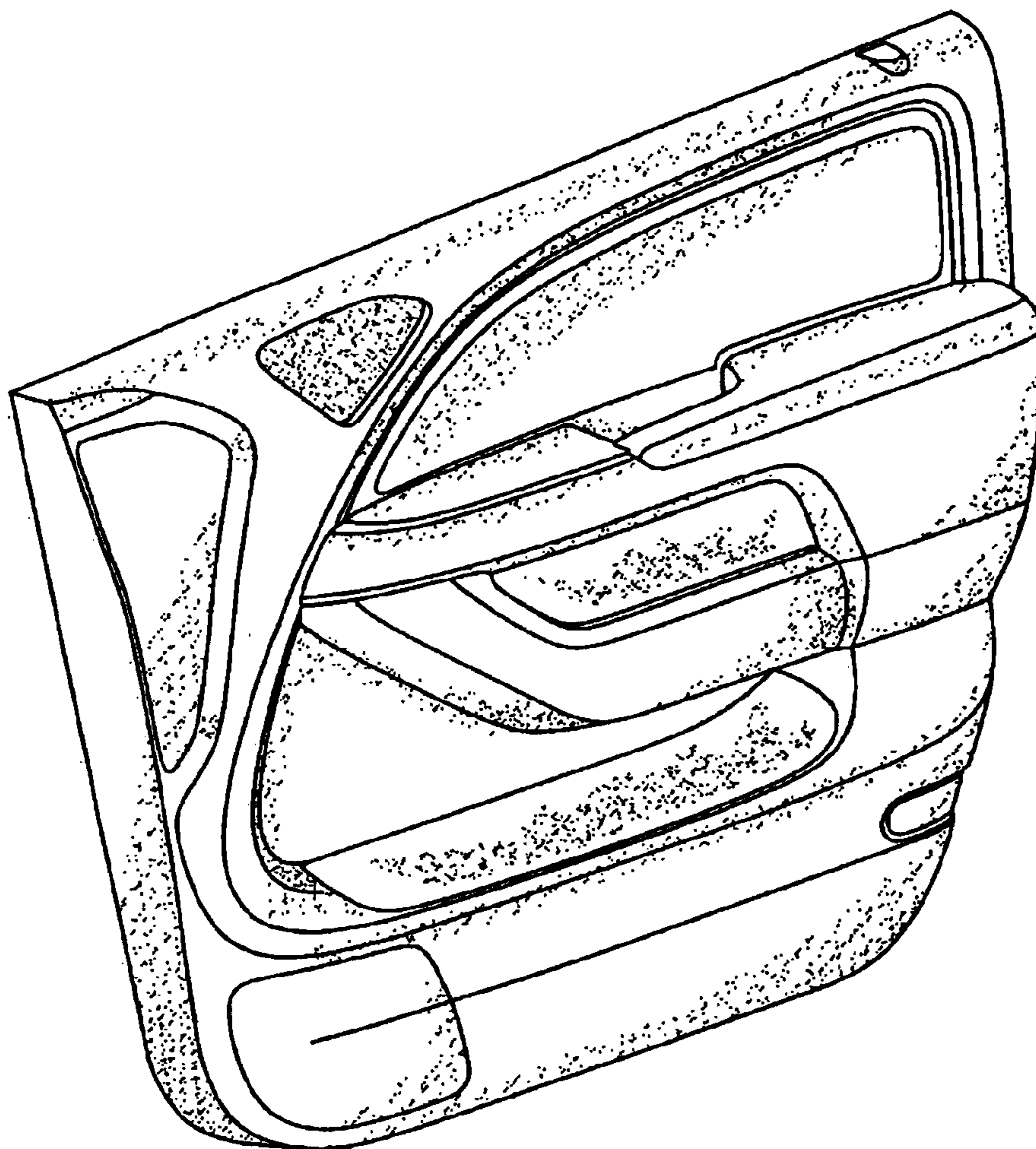


FIG. 2

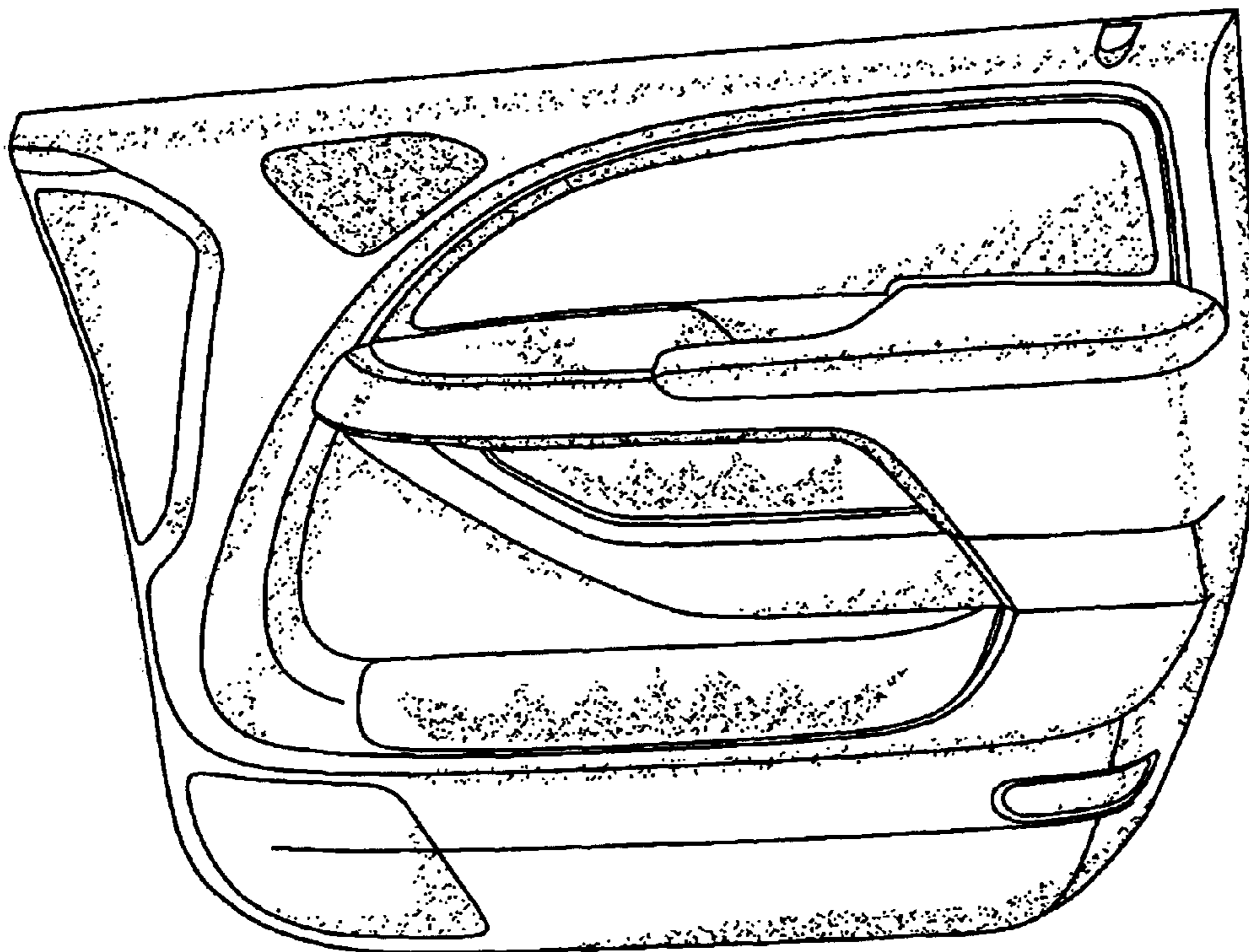


FIG. 3

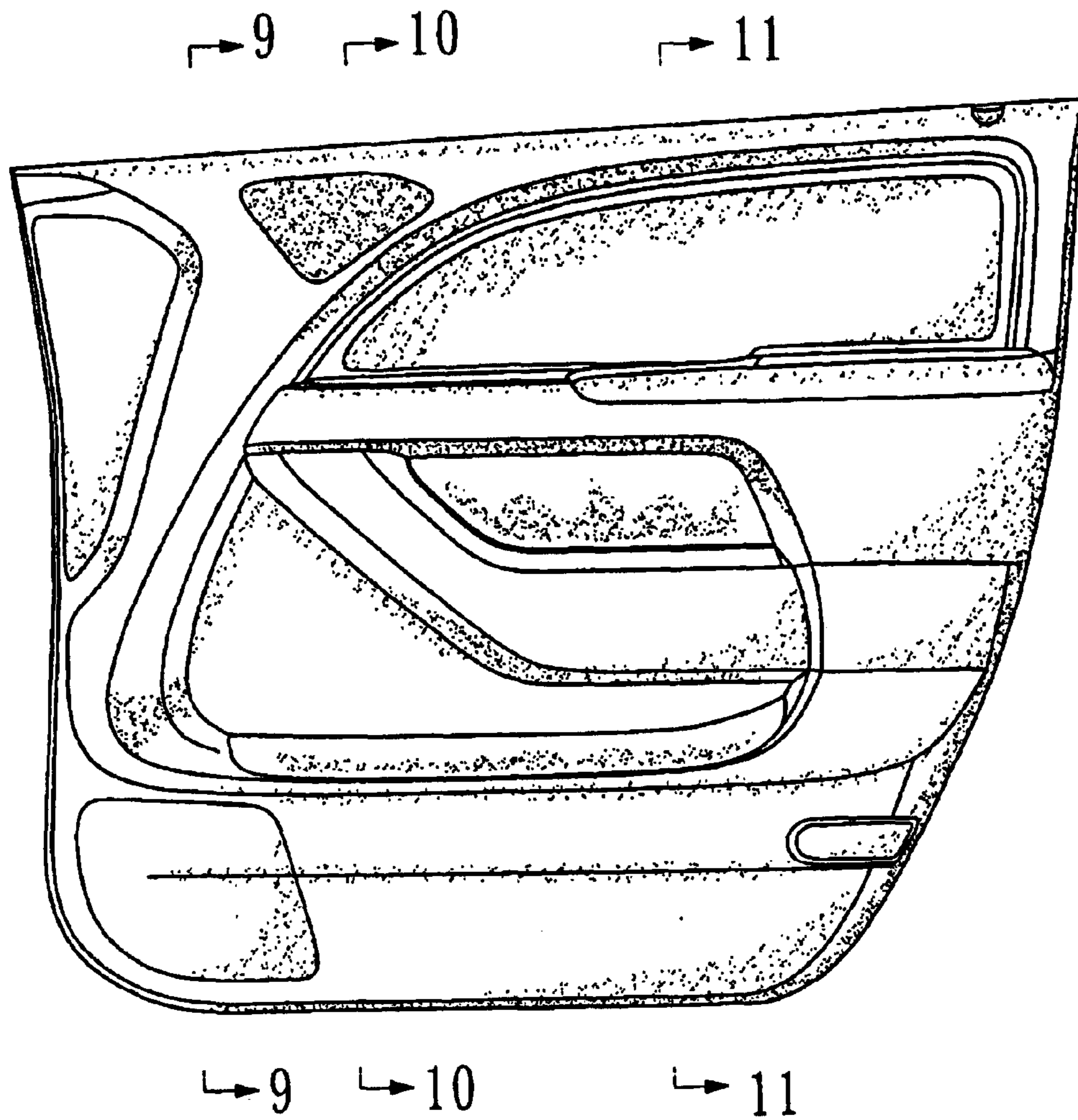


FIG. 4

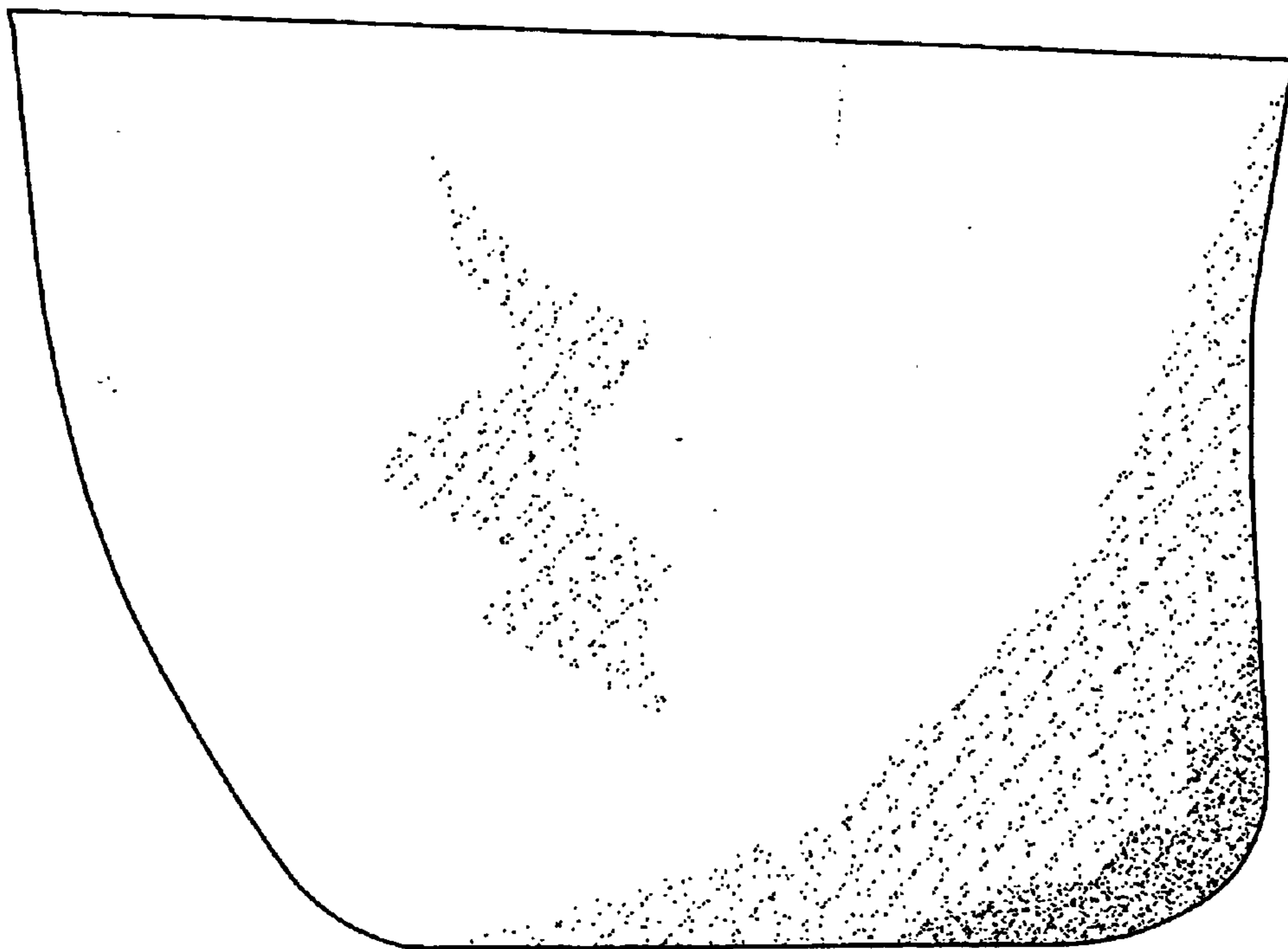


FIG. 5

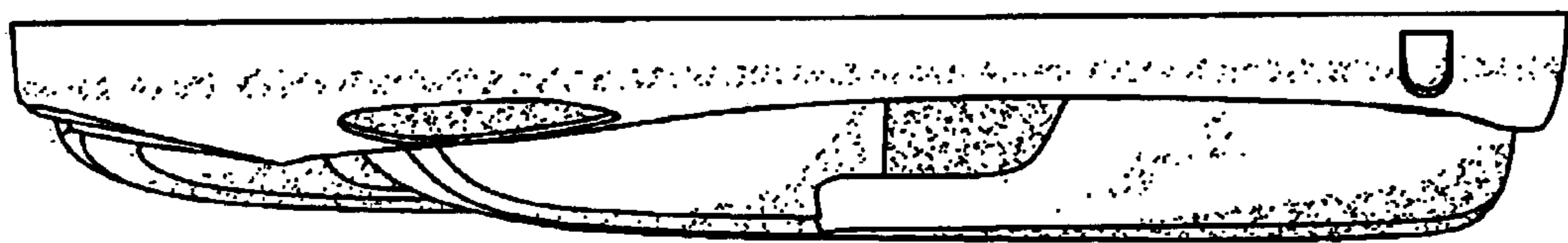


FIG. 6

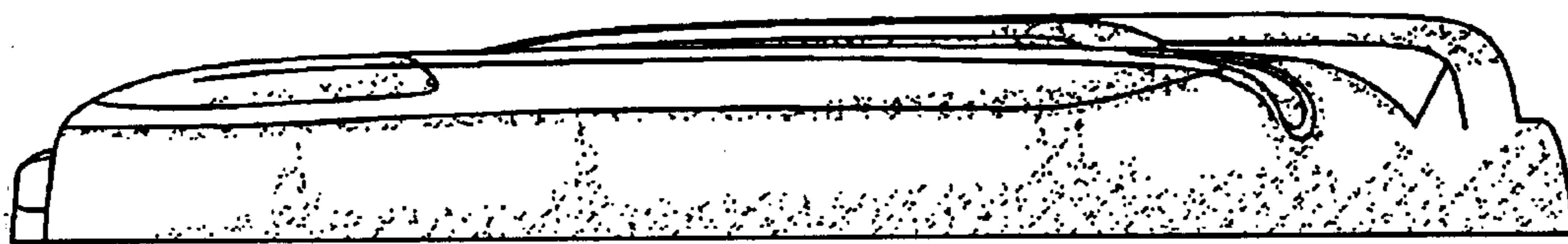


FIG. 7

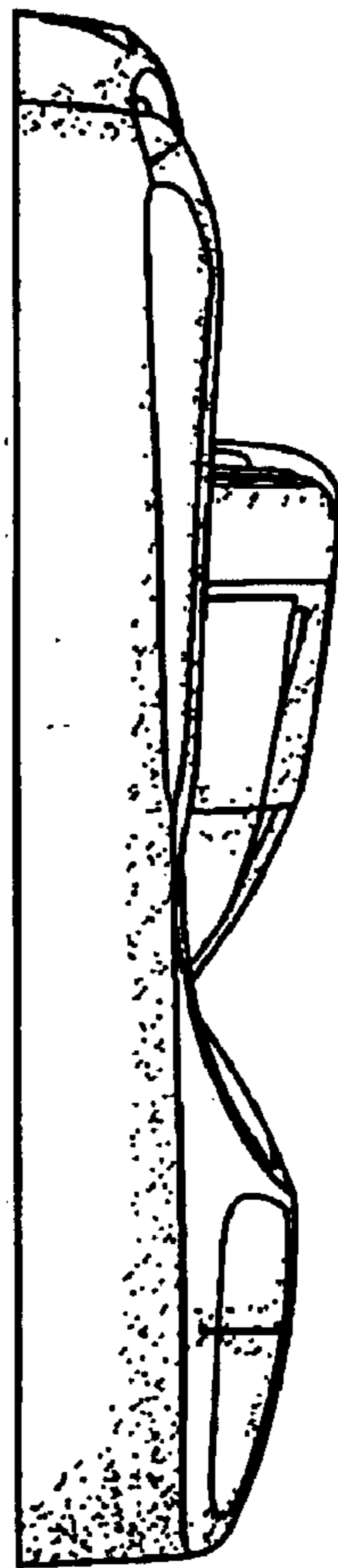


FIG. 8

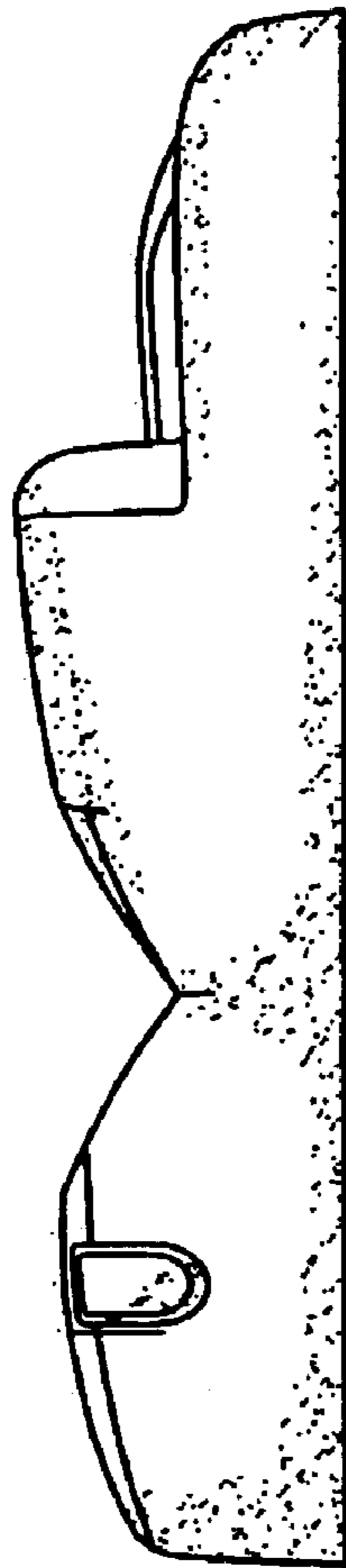


FIG. 9

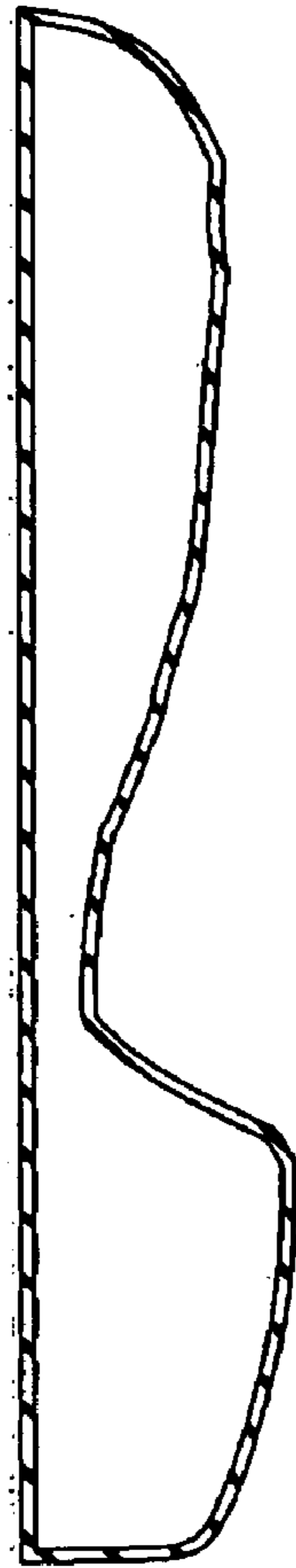


FIG. 10

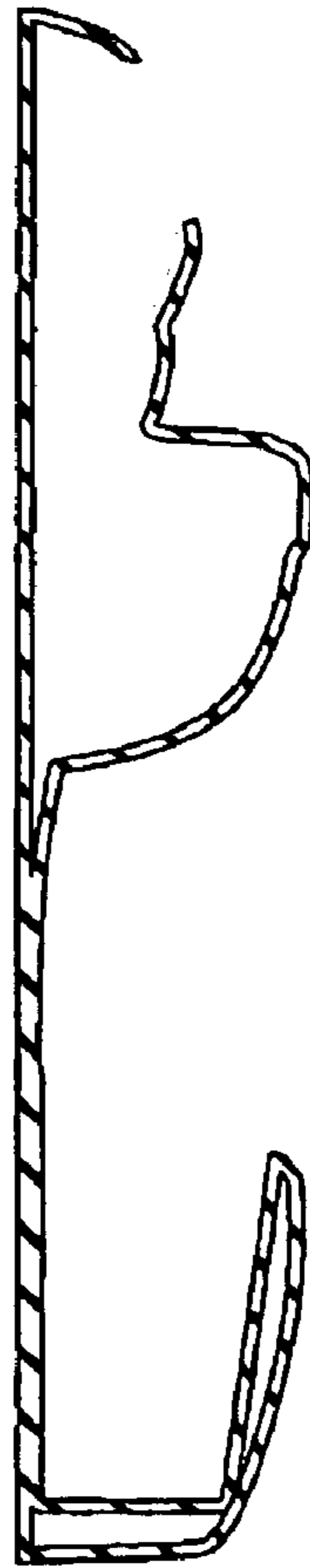


FIG. 11

