

US00D521911S

(12) **United States Design Patent** (10) **Patent No.:** **US D521,911 S**
Gillett et al. (45) **Date of Patent:** **** May 30, 2006**

(54) **WHEELCHAIR BASE SIDE RAIL COVER**

(75) Inventors: **Peter W. Gillett**, Halesowen (GB);
David P. Jackson, Stafford (GB);
Gavin McKinnell, Telford (GB)

(73) Assignee: **Sunrise Medical Ltd.**, West Midlands (GB)

(**) Term: **14 Years**

(21) Appl. No.: **29/228,298**

(22) Filed: **Apr. 21, 2005**

(51) **LOC (8) Cl.** **12-12**

(52) **U.S. Cl.** **D12/133**

(58) **Field of Classification Search** D12/128-133;
5/113, 284, 414, 423, 505.1, 625
See application file for complete search history.

(56) **References Cited**

U.S. PATENT DOCUMENTS

5,848,658	A	12/1998	Pulver	
D406,254	S	* 3/1999	Simpson et al. D12/133
D423,992	S	* 5/2000	Adler D12/133
6,290,011	B1	9/2001	Langaker et al.	
D480,195	S	* 9/2003	Koerlin et al. D34/27

* cited by examiner

Primary Examiner—Marcus A. Jackson

(74) *Attorney, Agent, or Firm*—MacMillan, Sobanski & Todd, LLC

(57) **CLAIM**

The ornamental design for a wheelchair base side rail cover, as shown and described.

DESCRIPTION

FIG. 1 is a perspective view of a wheelchair side rail cover according to the present design;

FIG. 2 is a top plan view of the wheelchair side rail cover illustrated in FIG. 1;

FIG. 3 is a left side end elevational view of the wheelchair side rail cover illustrated in FIG. 1;

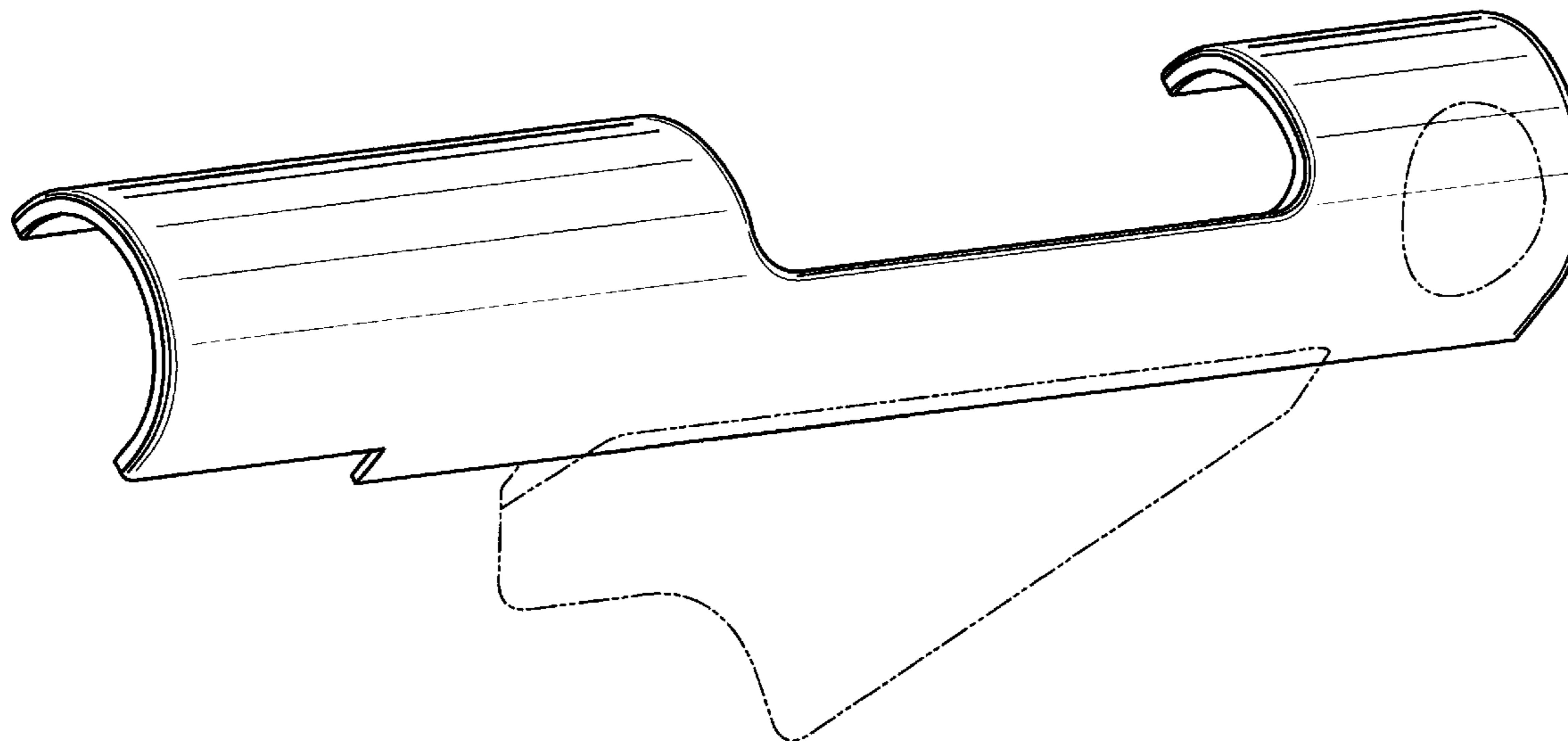
FIG. 4 is a right side end elevational view of the wheelchair side rail cover illustrated in FIG. 1; and,

FIG. 5 is a perspective view of the wheelchair side rail cover of FIG. 1 shown on a wheelchair base.

The broken lines shown in FIG. 1-4 are for illustrative purposes only and form no part of the claimed design.

The broken lines shown in FIG. 5 are for illustrative purposes only and are provided to illustrate the present design in its intended environment; the broken lines form no part of the claimed design.

1 Claim, 4 Drawing Sheets



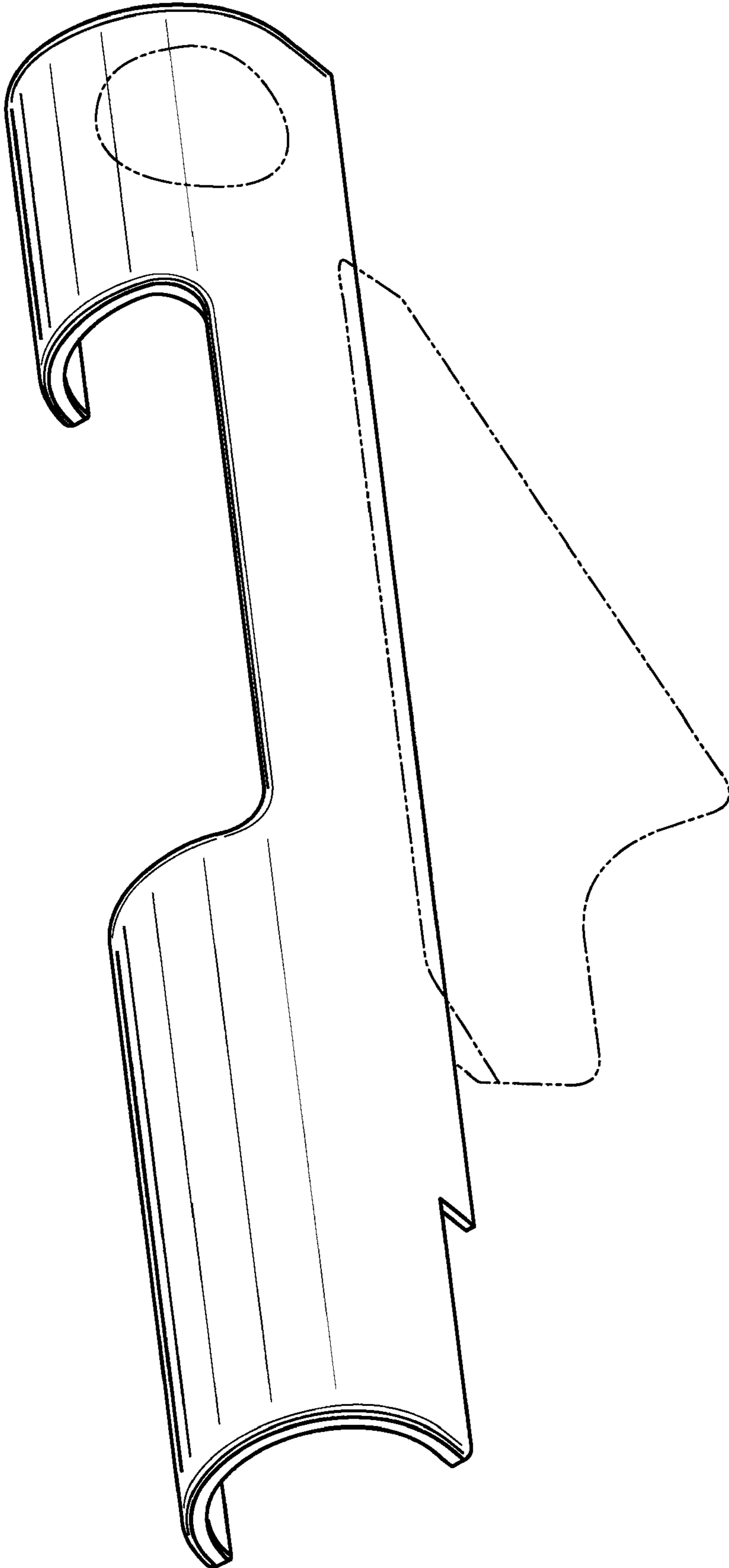


FIG. 1

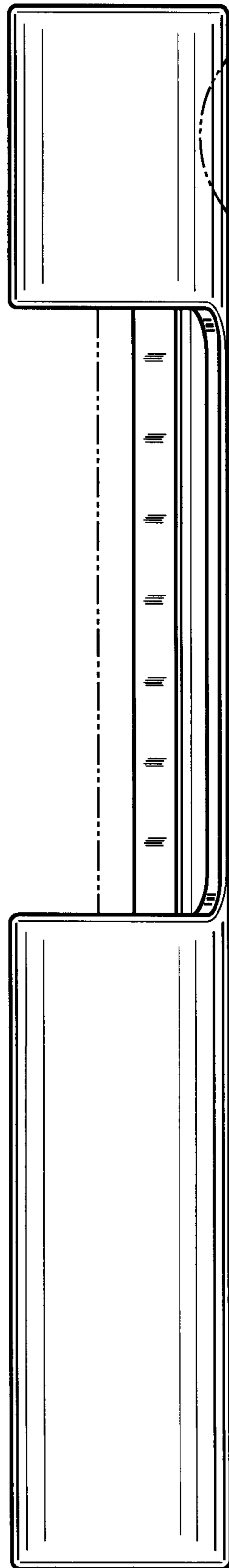


FIG. 2

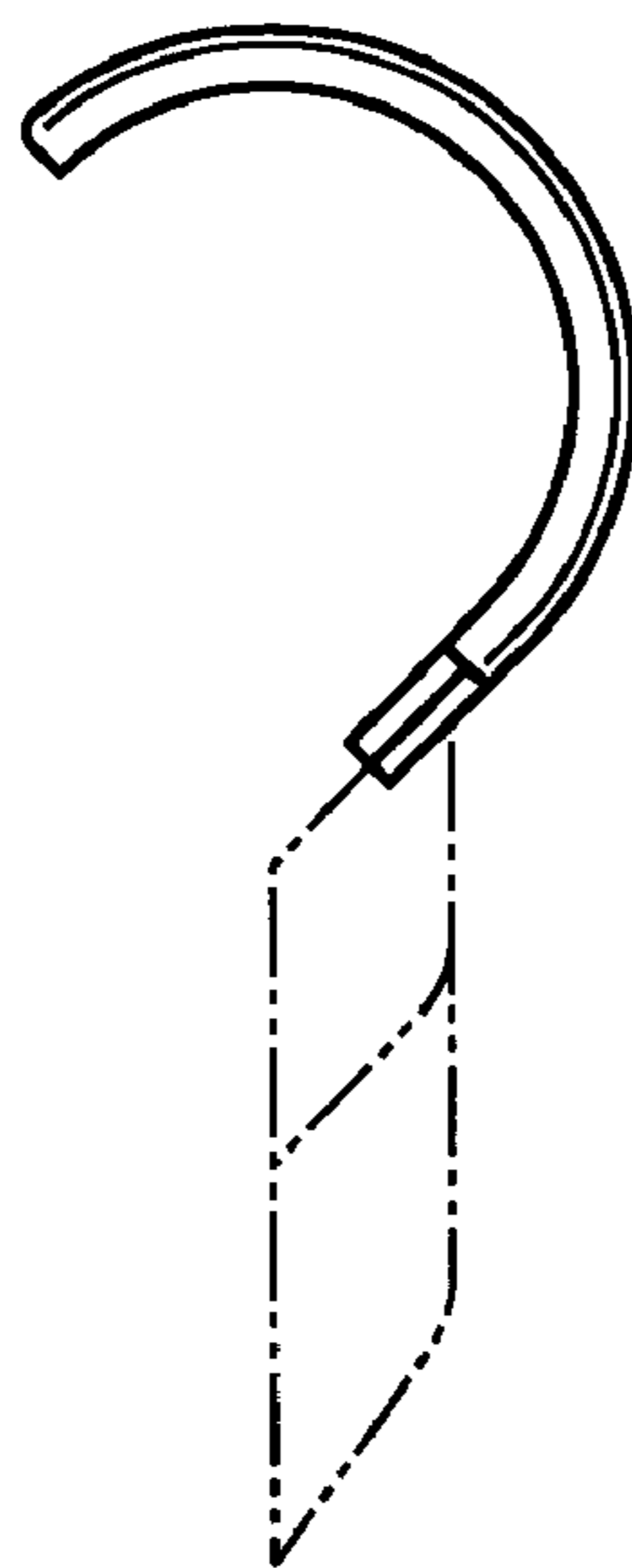


FIG. 3

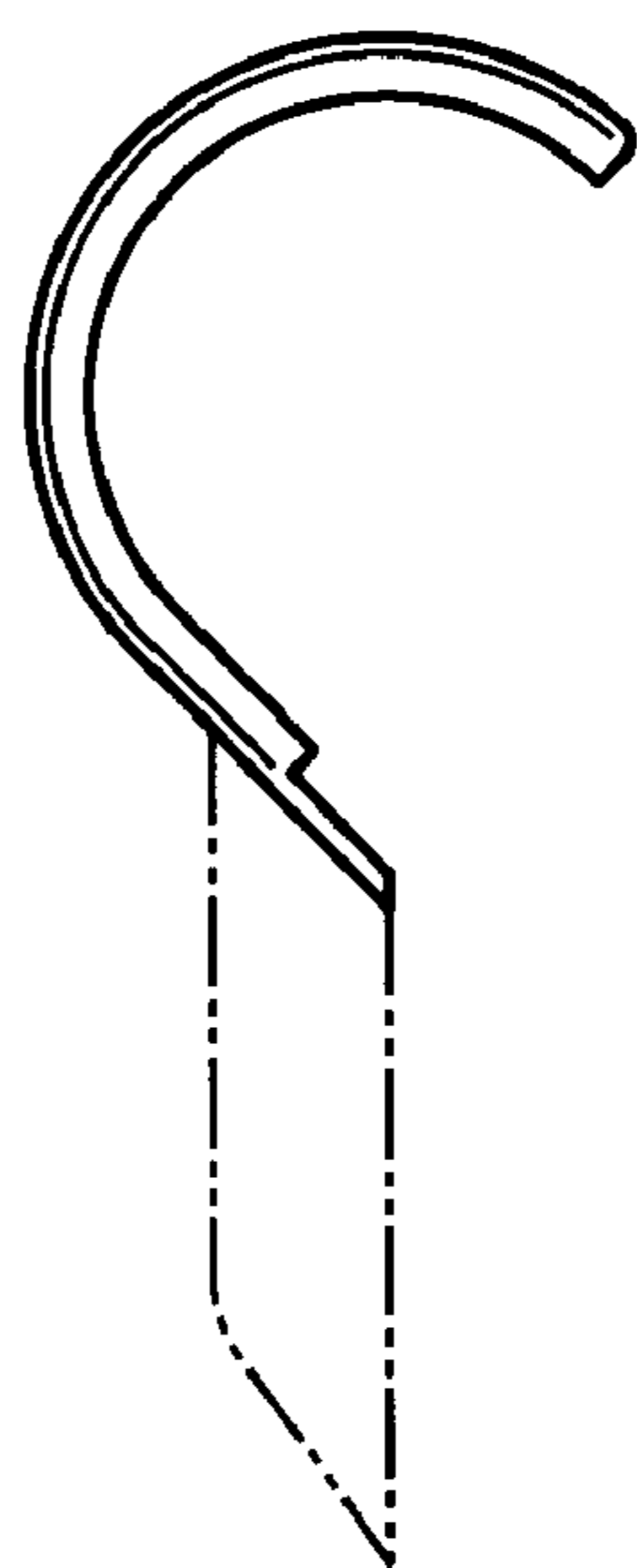


FIG. 4

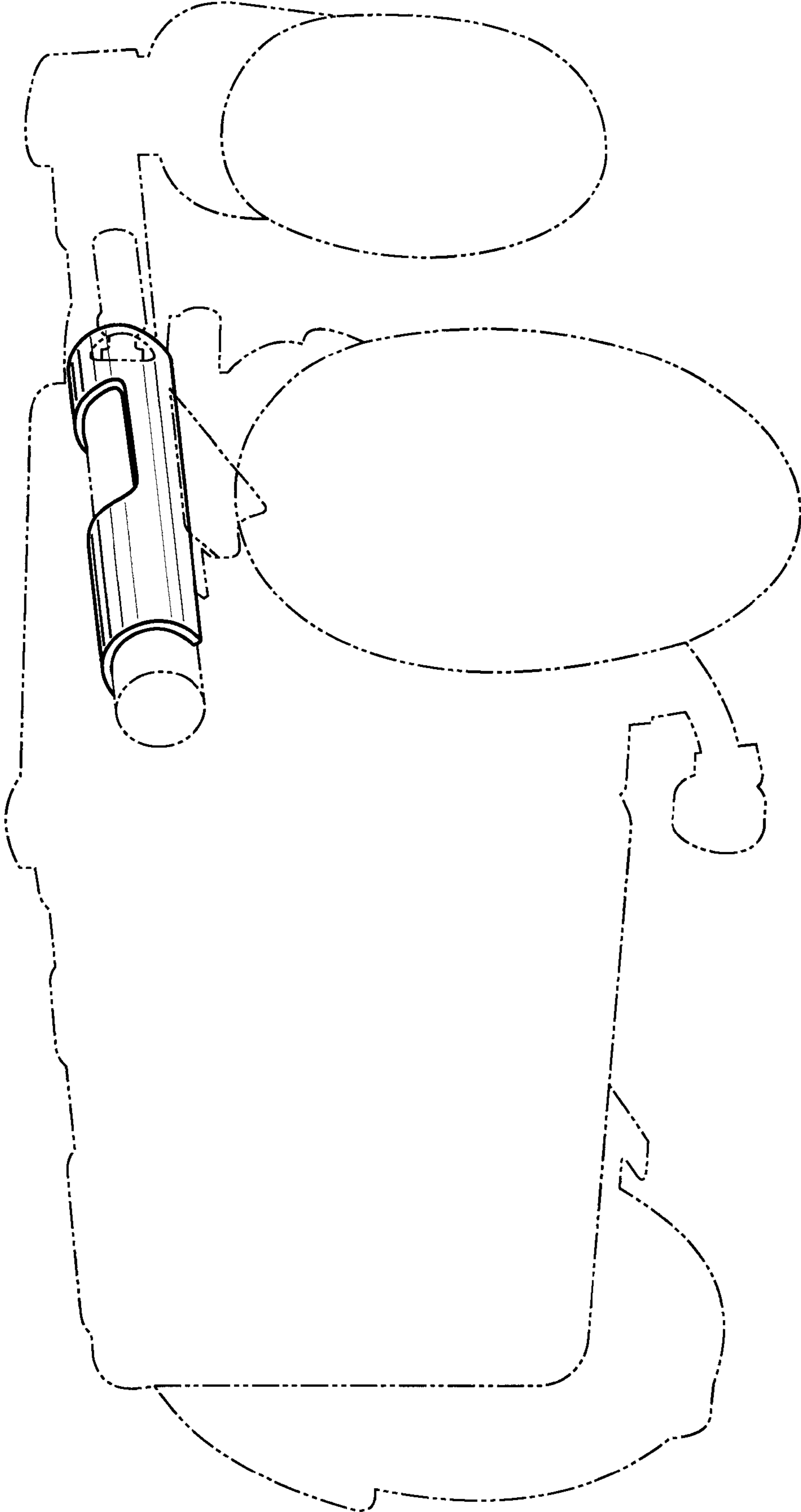


FIG. 5