



US00D521910S

(12) **United States Design Patent**  
**Gillett et al.**

(10) **Patent No.:** **US D521,910 S**  
(45) **Date of Patent:** **\*\* May 30, 2006**

(54) **WHEELCHAIR BASE CURVED END PANEL**

(75) Inventors: **Peter W. Gillett**, Halesowen (GB);  
**David P. Jackson**, Stafford (GB);  
**Gavin McKinnell**, Telford (GB)

(73) Assignee: **Sunrise Medical Ltd.**, West Midlands  
(GB)

(\*\*) Term: **14 Years**

(21) Appl. No.: **29/228,291**

(22) Filed: **Apr. 21, 2005**

(51) **LOC (8) Cl.** ..... **12-12**

(52) **U.S. Cl.** ..... **D12/133**

(58) **Field of Classification Search** ..... D12/128-133;  
280/304.1; 180/65.5, 65.6, 907

See application file for complete search history.

(56) **References Cited**

**U.S. PATENT DOCUMENTS**

D397,645 S \* 9/1998 Schaffner ..... D12/131  
D468,669 S \* 1/2003 Hopely, Jr. .... D12/131

\* cited by examiner

*Primary Examiner*—Marcus A. Jackson

(74) *Attorney, Agent, or Firm*—MacMillan, Sobanski &  
Todd, LLC

(57) **CLAIM**

The ornamental design for a wheelchair base curved end panel, as shown and described.

**DESCRIPTION**

FIG. 1 is a perspective view of a wheelchair base having a curved end panel according to the present design disposed thereon;

The broken lines shown in FIG. 1 are for illustrative purposes only and are provided to illustrate the present design in its intended environment; the broken lines form no part of the claimed design.

FIG. 2 is a perspective view of the wheelchair curved end panel illustrated in FIG. 1;

FIG. 3 is a top plan view of the wheelchair curved end panel illustrated in FIG. 1;

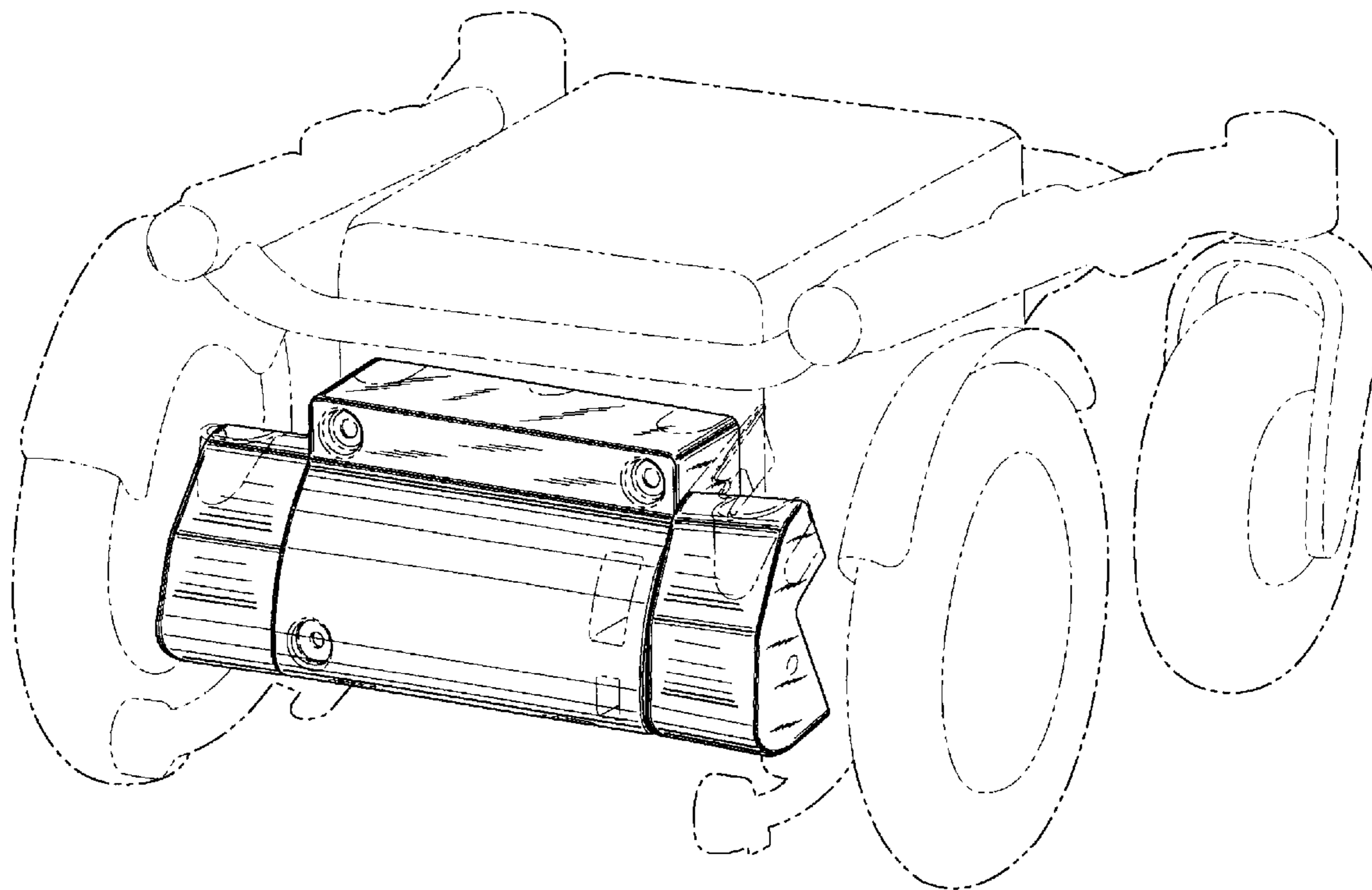
FIG. 4 is a front plan view of the wheelchair curved end panel illustrated in FIG. 1;

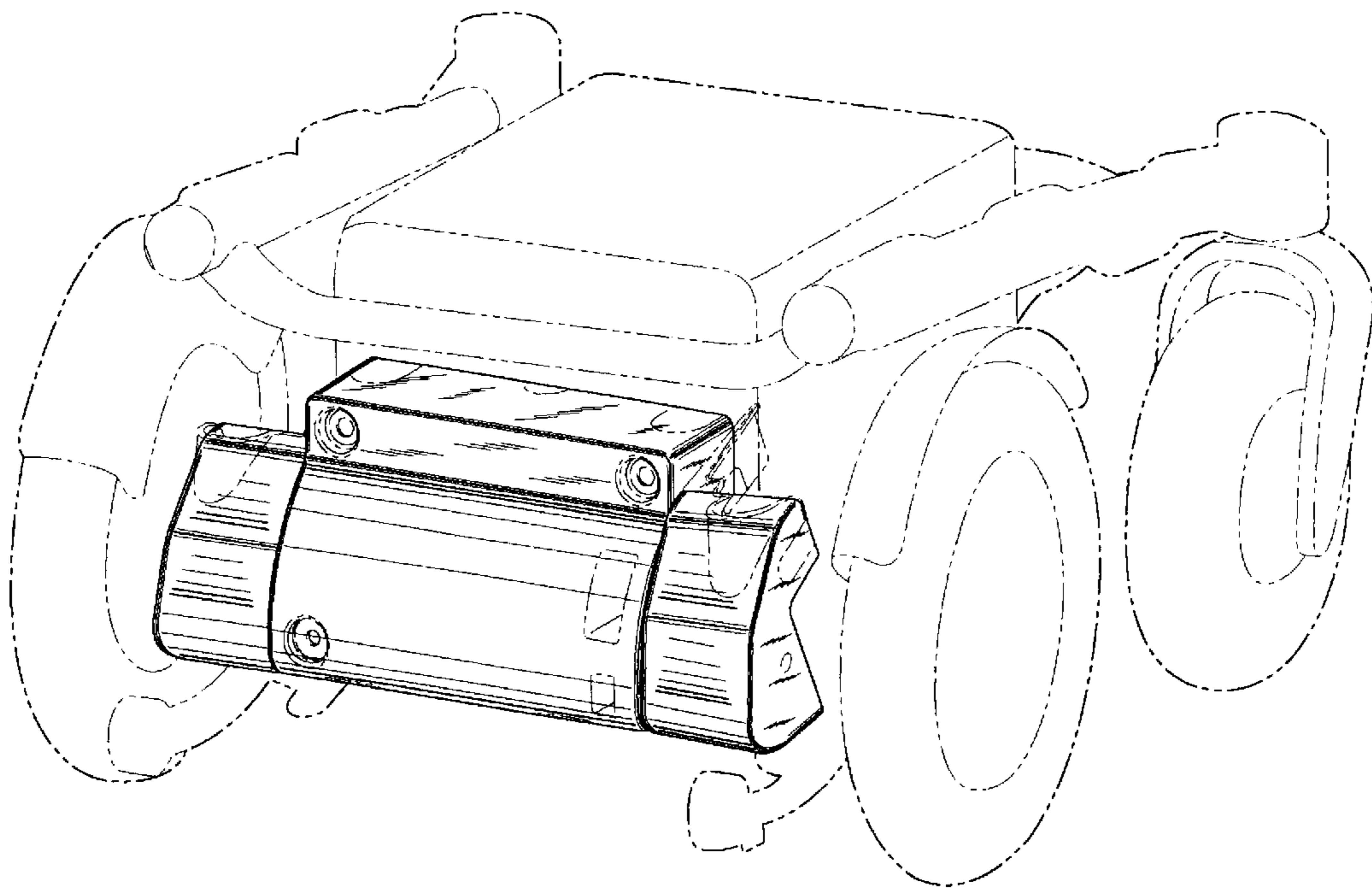
FIG. 5 is a right side end elevation view of the wheelchair curved end panel illustrated in FIG. 1; and,

FIG. 6 is a bottom plan view of the wheelchair curved end panel illustrated in FIG. 1.

The broken lines shown in FIGS. 2-6 are for illustrative purposes only and form no part of the claimed design.

**1 Claim, 4 Drawing Sheets**





—FIG. 1

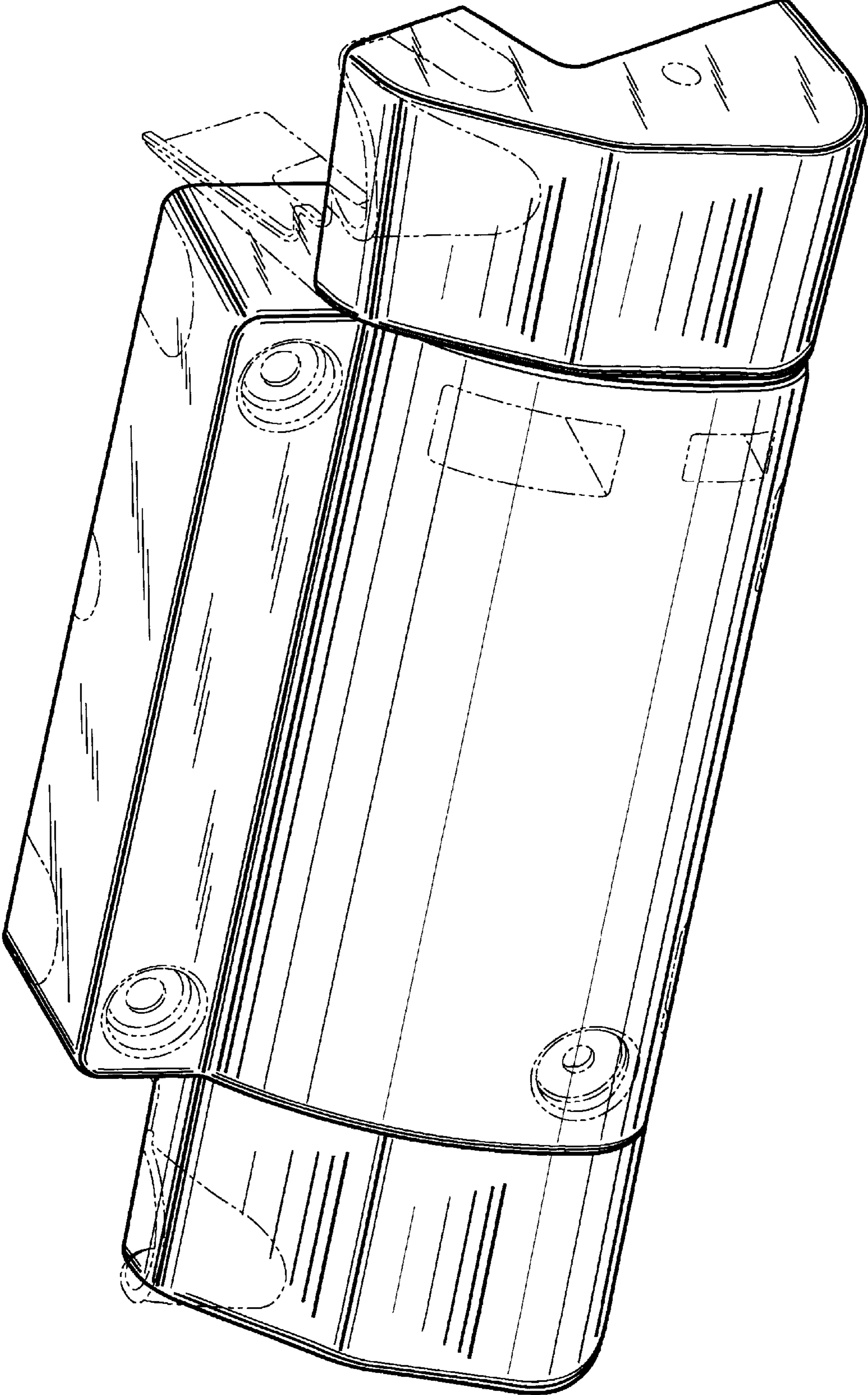


FIG. 2

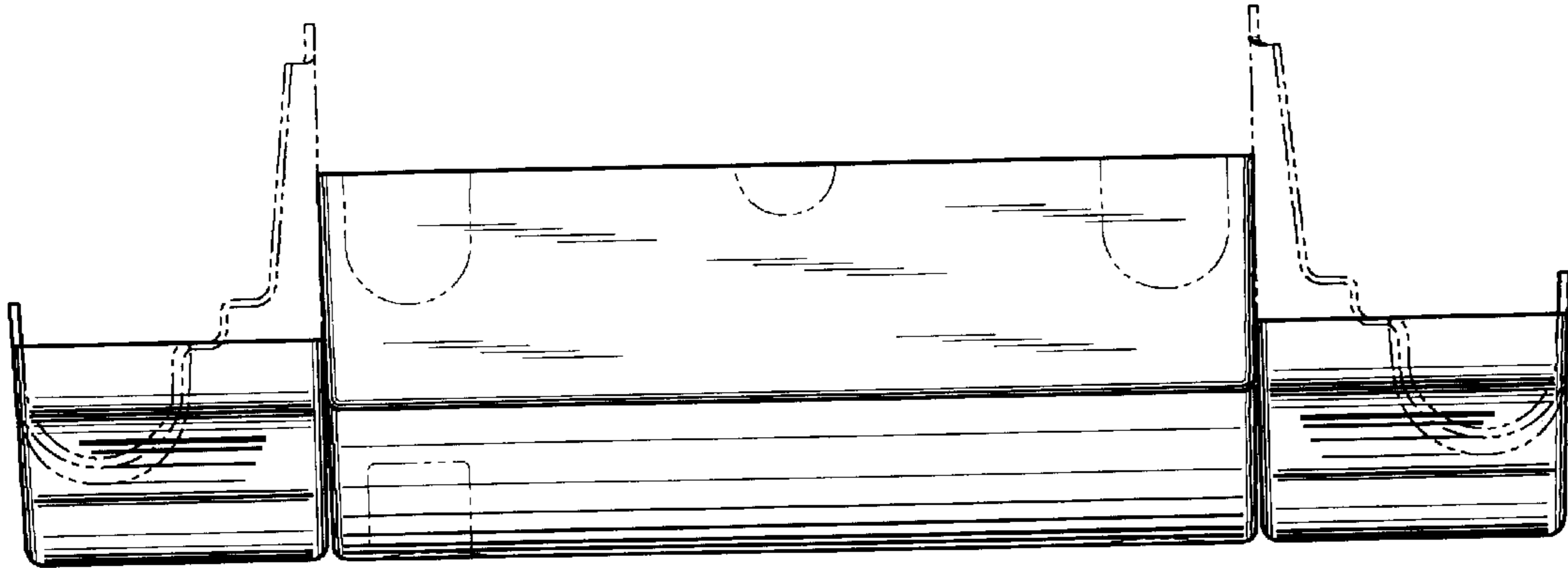


FIG. 3

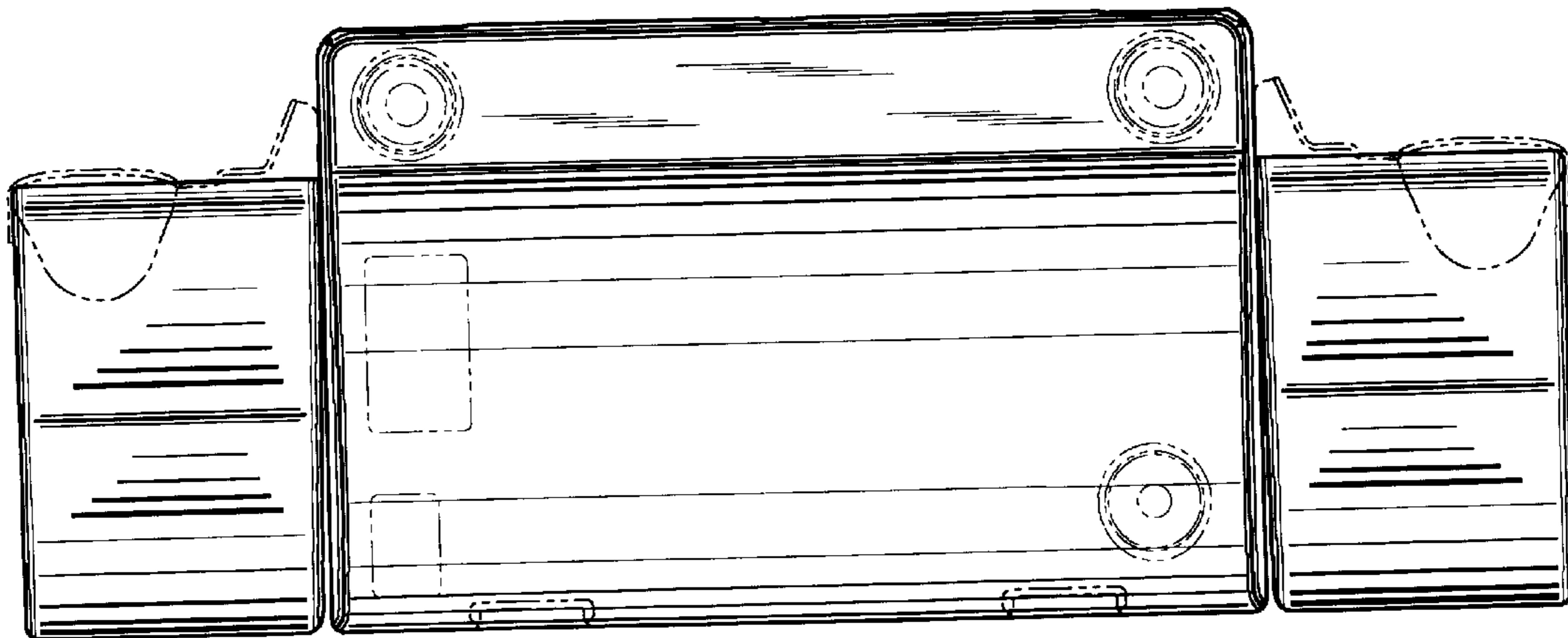
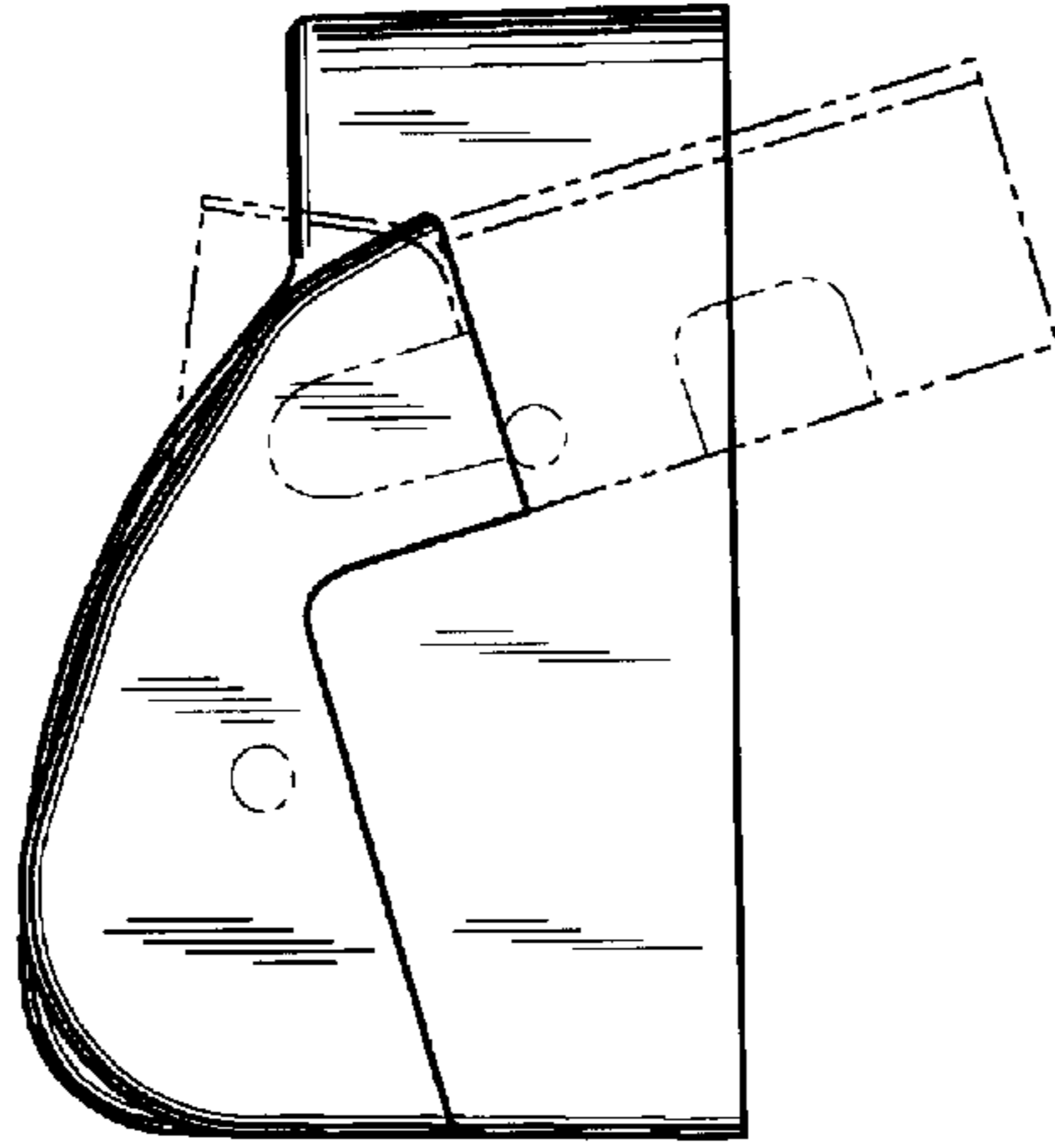
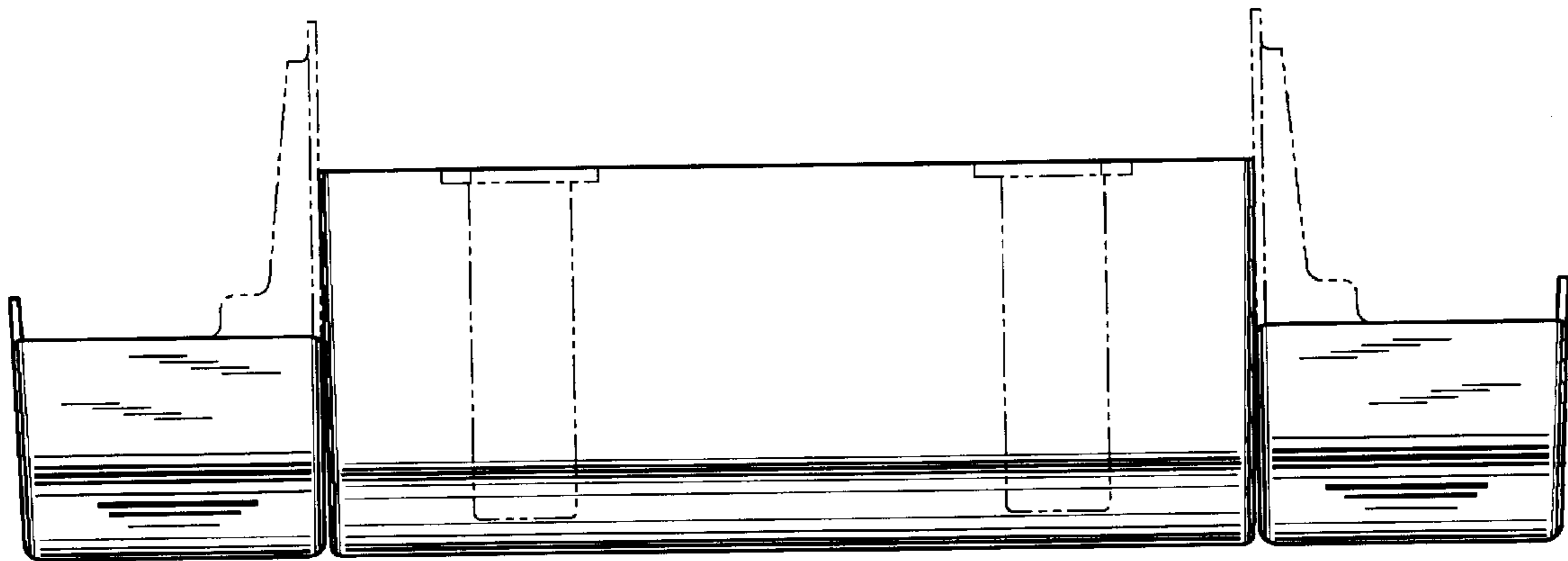


FIG. 4



—FIG. 5



—FIG. 6