

US00D521909S

(12) **United States Design Patent**
Gillett et al.

(10) **Patent No.:** **US D521,909 S**

(45) **Date of Patent:** **** May 30, 2006**

(54) **WHEELCHAIR BASE LOUVERED END PANEL**

(75) Inventors: **Peter W. Gillett**, Halesowen (GB);
David P. Jackson, Stafford (GB);
Gavin McKinnell, Telford (GB)

(73) Assignee: **Sunrise Medical Ltd.**, West Midlands (GB)

(**) Term: **14 Years**

(21) Appl. No.: **29/228,284**

(22) Filed: **Apr. 21, 2005**

(51) **LOC (8) Cl.** **12-12**

(52) **U.S. Cl.** **D12/133**

(58) **Field of Classification Search** D12/128-133;
280/304.1; 180/65.5, 65.6, 907

See application file for complete search history.

(56) **References Cited**

U.S. PATENT DOCUMENTS

D397,645 S * 9/1998 Schaffner D12/131

D468,669 S * 1/2003 Hopely, Jr. D12/131

* cited by examiner

Primary Examiner—Marcus A. Jackson

(74) *Attorney, Agent, or Firm*—MacMillian, Sobanski & Todd, LLC

(57) **CLAIM**

The ornamental design for a wheelchair base louvered end panel, as shown and described.

DESCRIPTION

FIG. 1 is a perspective view of a wheelchair base having a louvered end panel according to the present design disposed thereon;

FIG. 2 is a perspective view of the wheelchair louvered end panel illustrated in FIG. 1;

FIG. 3 is a top plan view of the wheelchair louvered end panel illustrated in FIG. 1;

FIG. 4 is a front plan view of the wheelchair louvered end panel illustrated in FIG. 1;

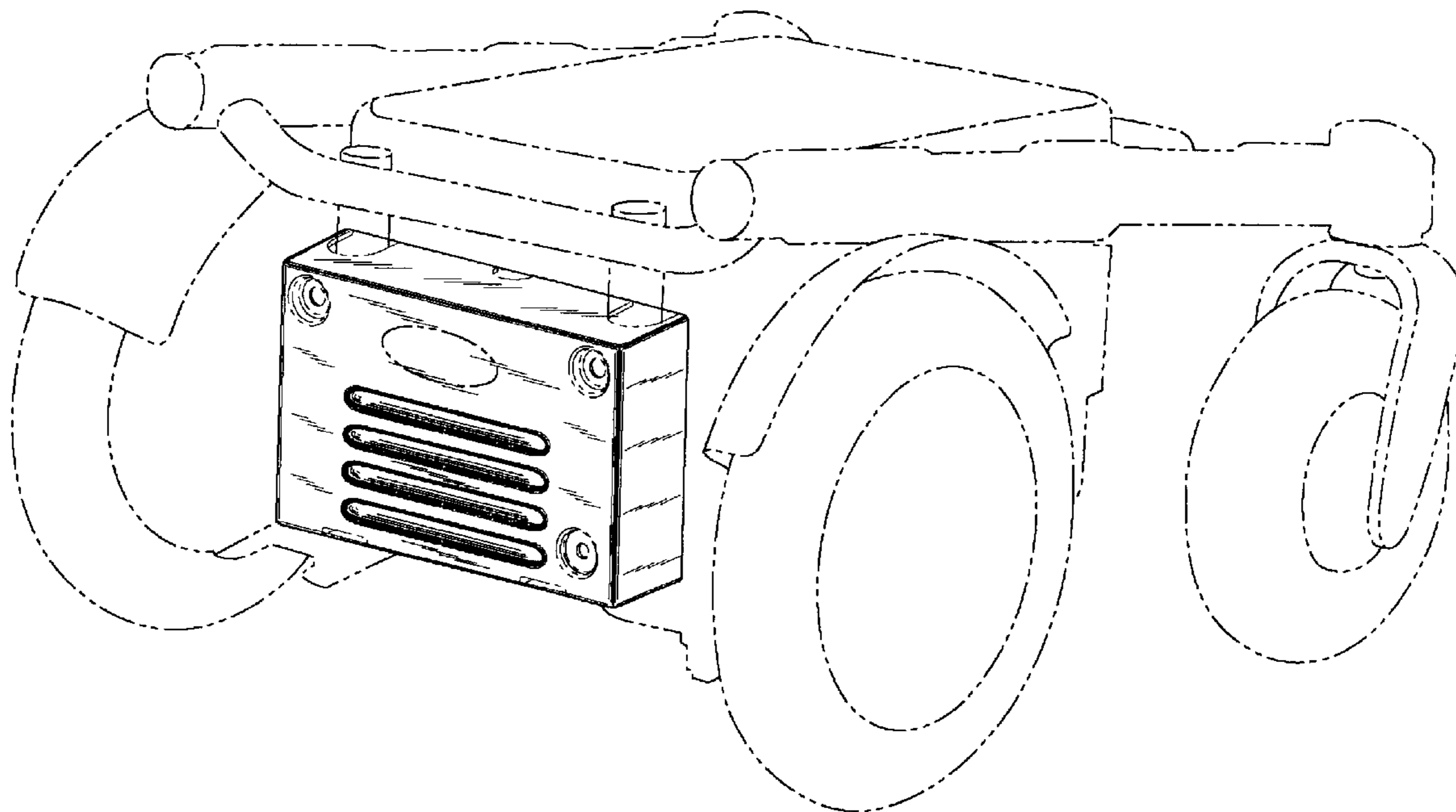
FIG. 5 is a right side end elevation view of the wheelchair louvered end panel illustrated in FIG. 1; and,

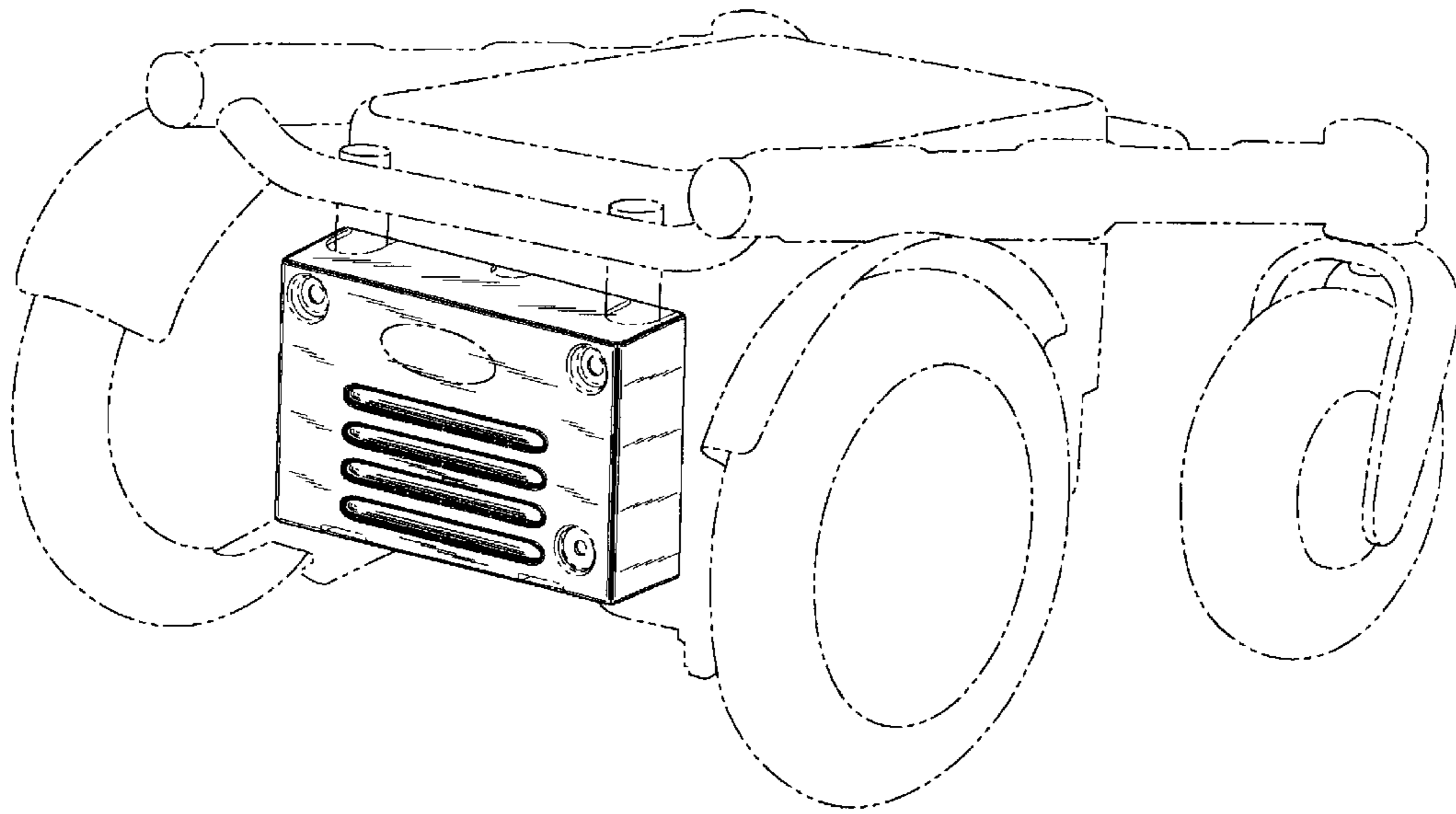
FIG. 6 is a bottom plan view of the wheelchair louvered end panel illustrated in FIG. 1.

The broken lines shown in FIG. 1 are for illustrative purposes only and are provided to illustrate the present design in its intended environment; the broken lines form no part of the claimed design.

The broken lines shown in FIGS. 2-6 are for illustrative purposes only and form no part of the claimed design.

1 Claim, 4 Drawing Sheets





—FIG. 1

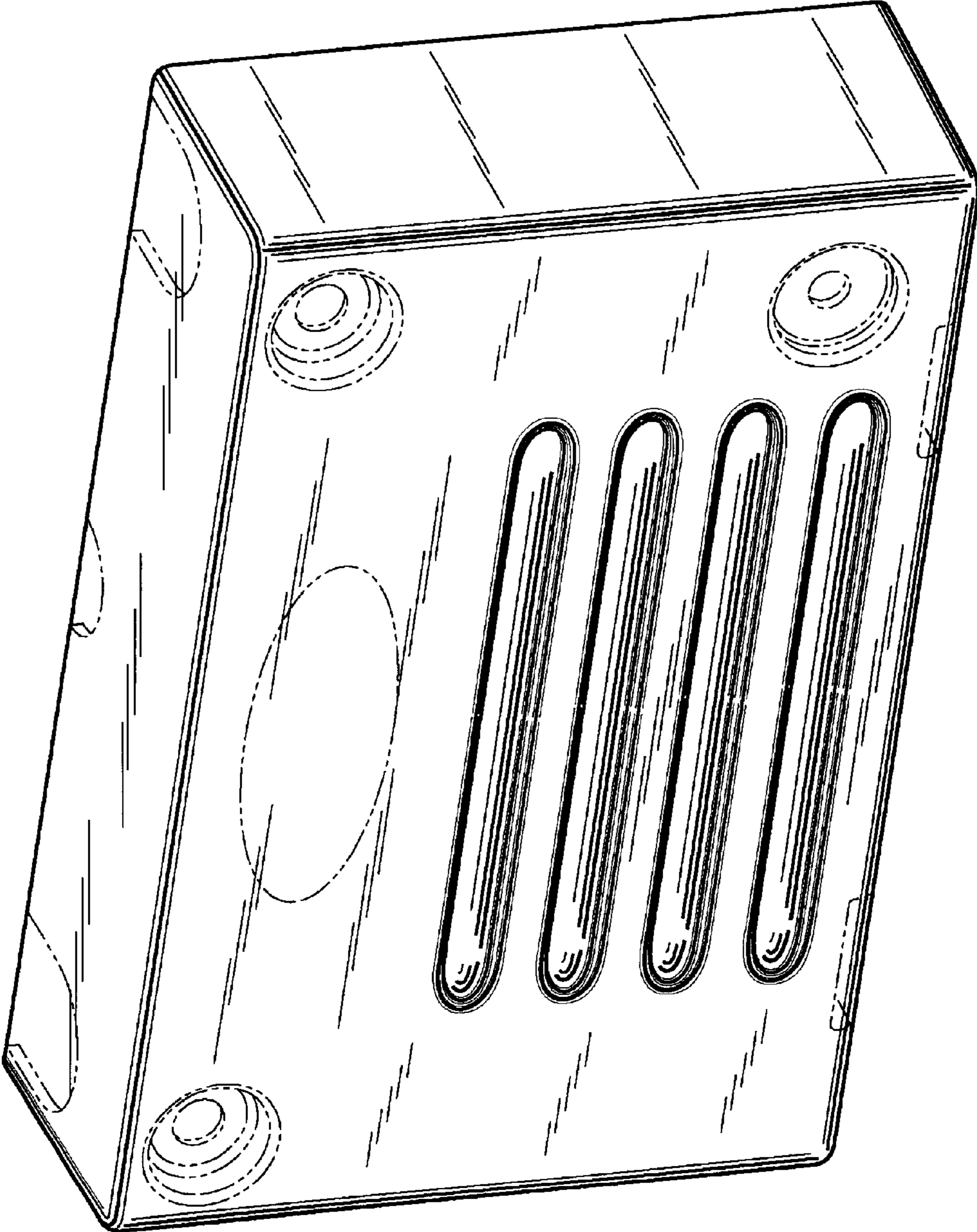
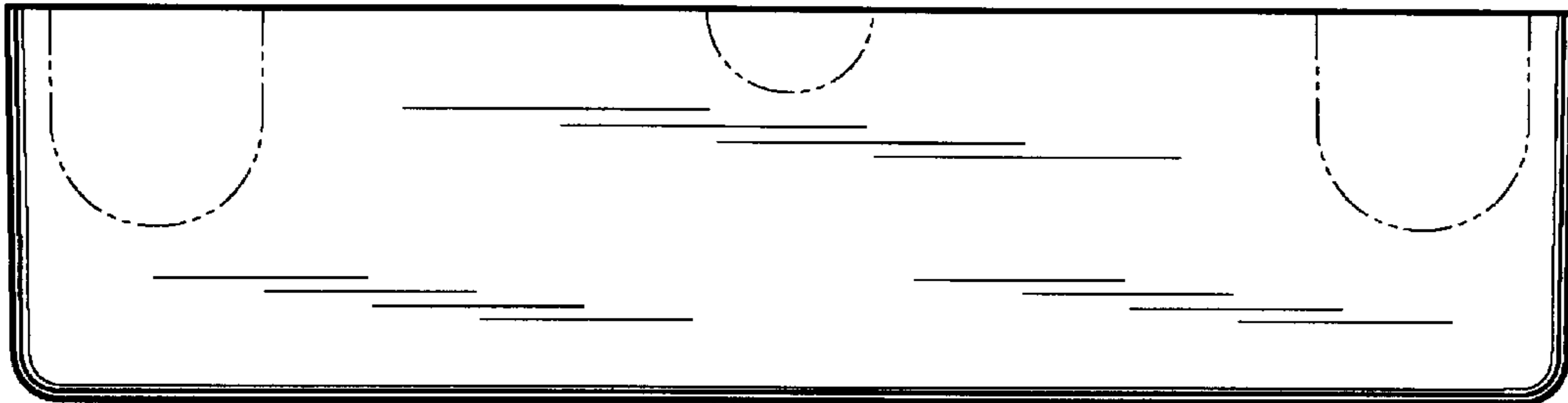
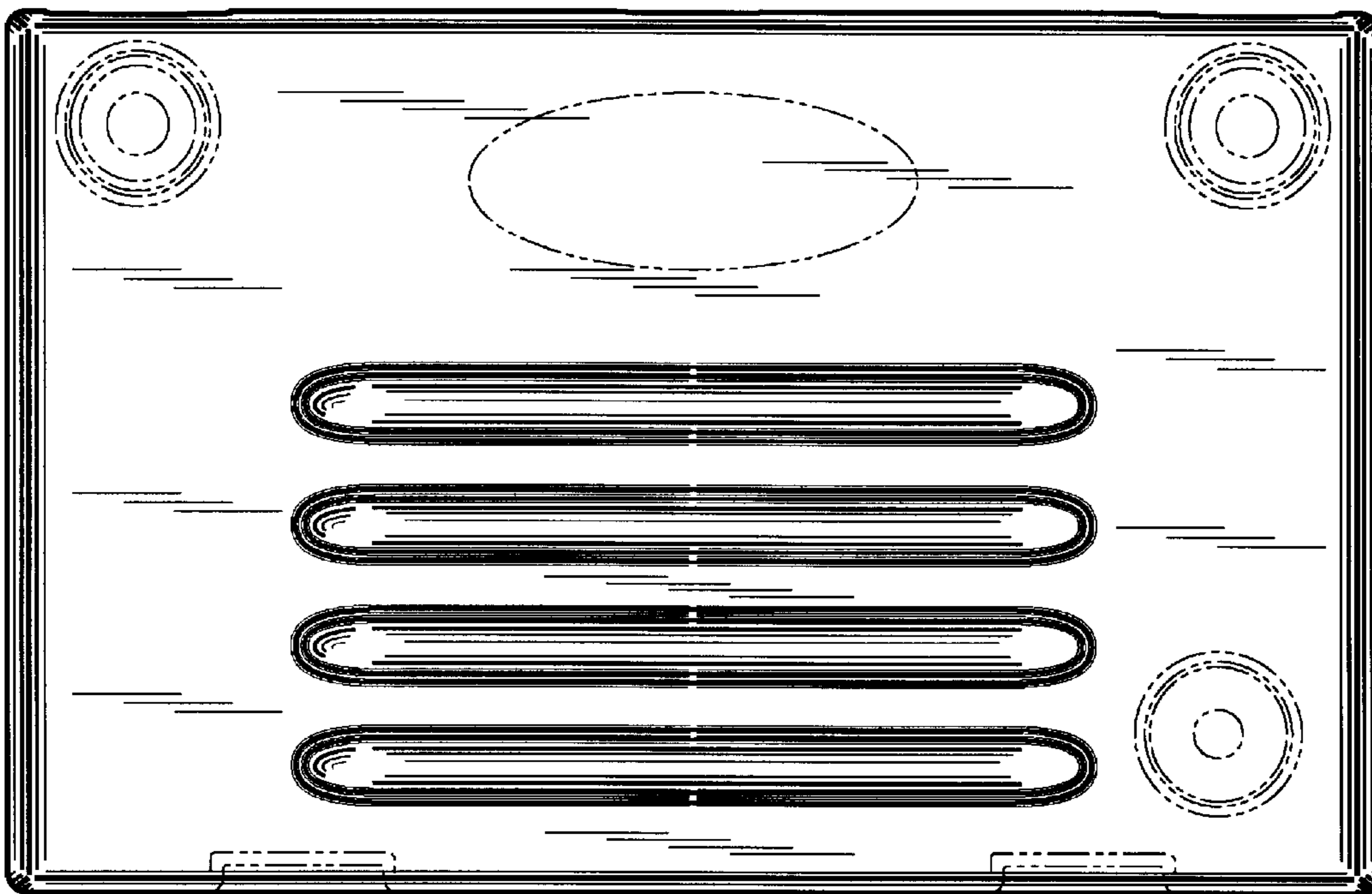


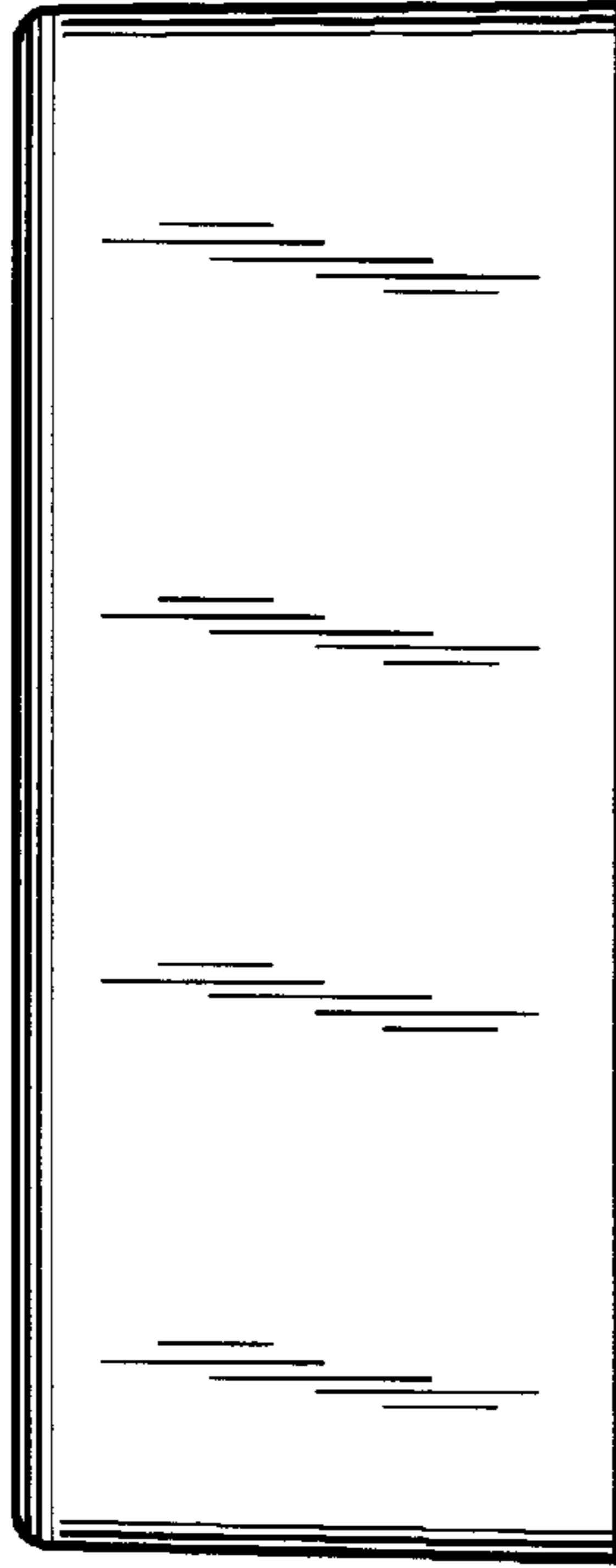
FIG. 2



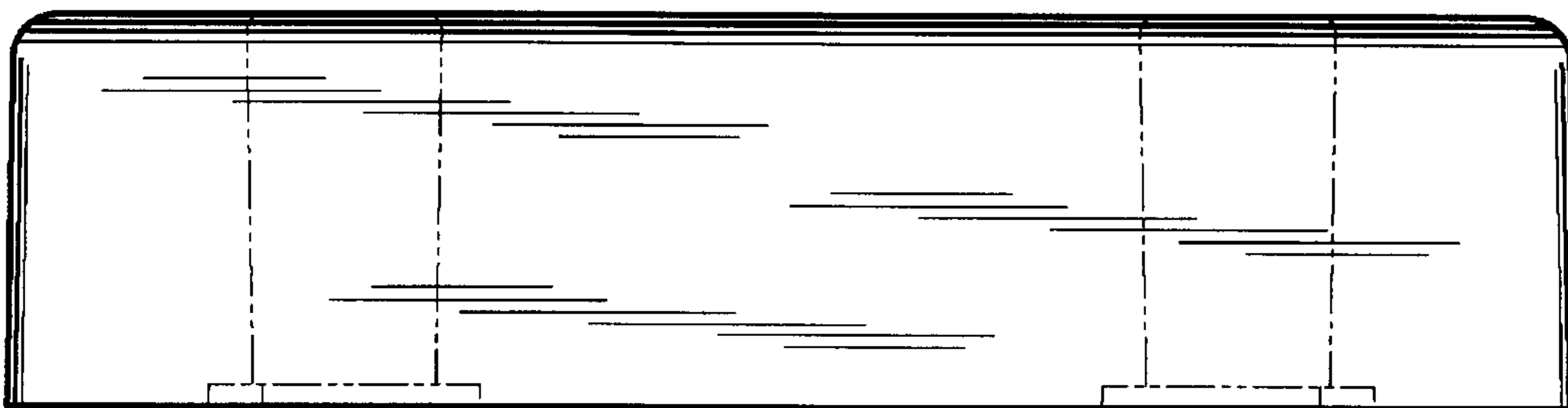
—FIG. 3



—FIG. 4



—FIG. 5



—FIG. 6