



US00D521898S

(12) **United States Design Patent**
Anscher

(10) **Patent No.:** **US D521,898 S**

(45) **Date of Patent:** **** May 30, 2006**

(54) **BUCKLE**

D496,605 S * 9/2004 Anscher et al. D11/218
D509,769 S * 9/2005 Krauss D11/218

(76) Inventor: **Joseph Anscher**, 1928 Midlane,
Muttontown, NY (US) 11791

* cited by examiner

(**) Term: **14 Years**

Primary Examiner—Ralf Seifert
(74) *Attorney, Agent, or Firm*—Collard & Roe, P.C.

(21) Appl. No.: **29/225,936**

(57) **CLAIM**

(22) Filed: **Mar. 22, 2005**

The ornamental design for a buckle, as shown and described.

(51) **LOC (8) Cl.** **02-07**

DESCRIPTION

(52) **U.S. Cl.** **D11/216**

(58) **Field of Classification Search** D11/200,
D11/201, 208–210, 212–218, 220, 230–234,
D11/237, 86–87, 94; 63/15.2, 15; 24/307,
24/625, 616, 200, 196, 171, 169, 112
See application file for complete search history.

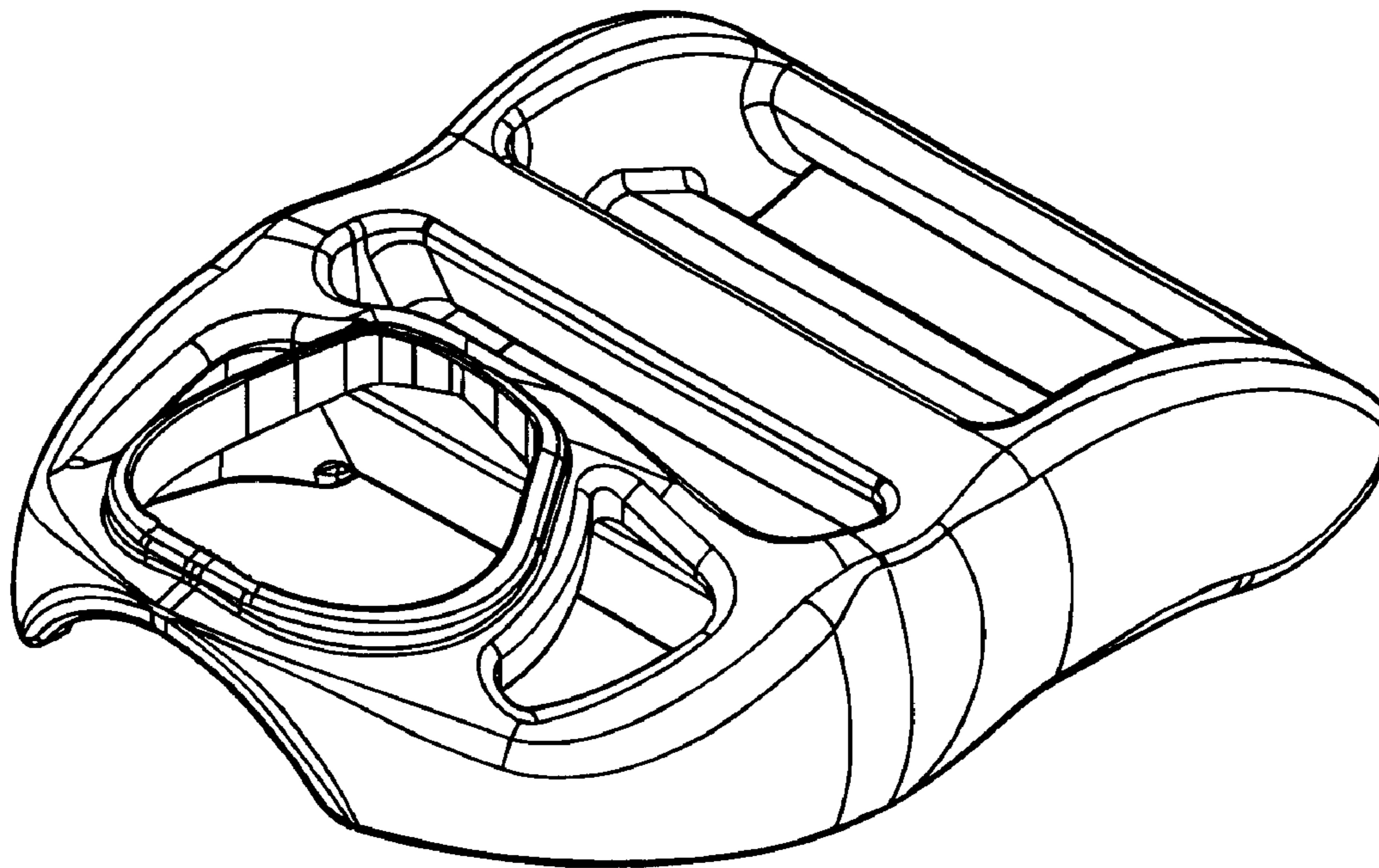
FIG. 1 shows a perspective view of my design for a buckle according to the invention;
FIG. 2 shows a top view thereof;
FIG. 3 shows a side view thereof, with the opposite side view being a mirror image;
FIG. 4 shows a bottom view thereof;
FIG. 5 shows a front end view thereof; and,
FIG. 6 shows a rear end view thereof.

(56) **References Cited**

U.S. PATENT DOCUMENTS

D352,680 S * 11/1994 Matoba D11/216

1 Claim, 3 Drawing Sheets



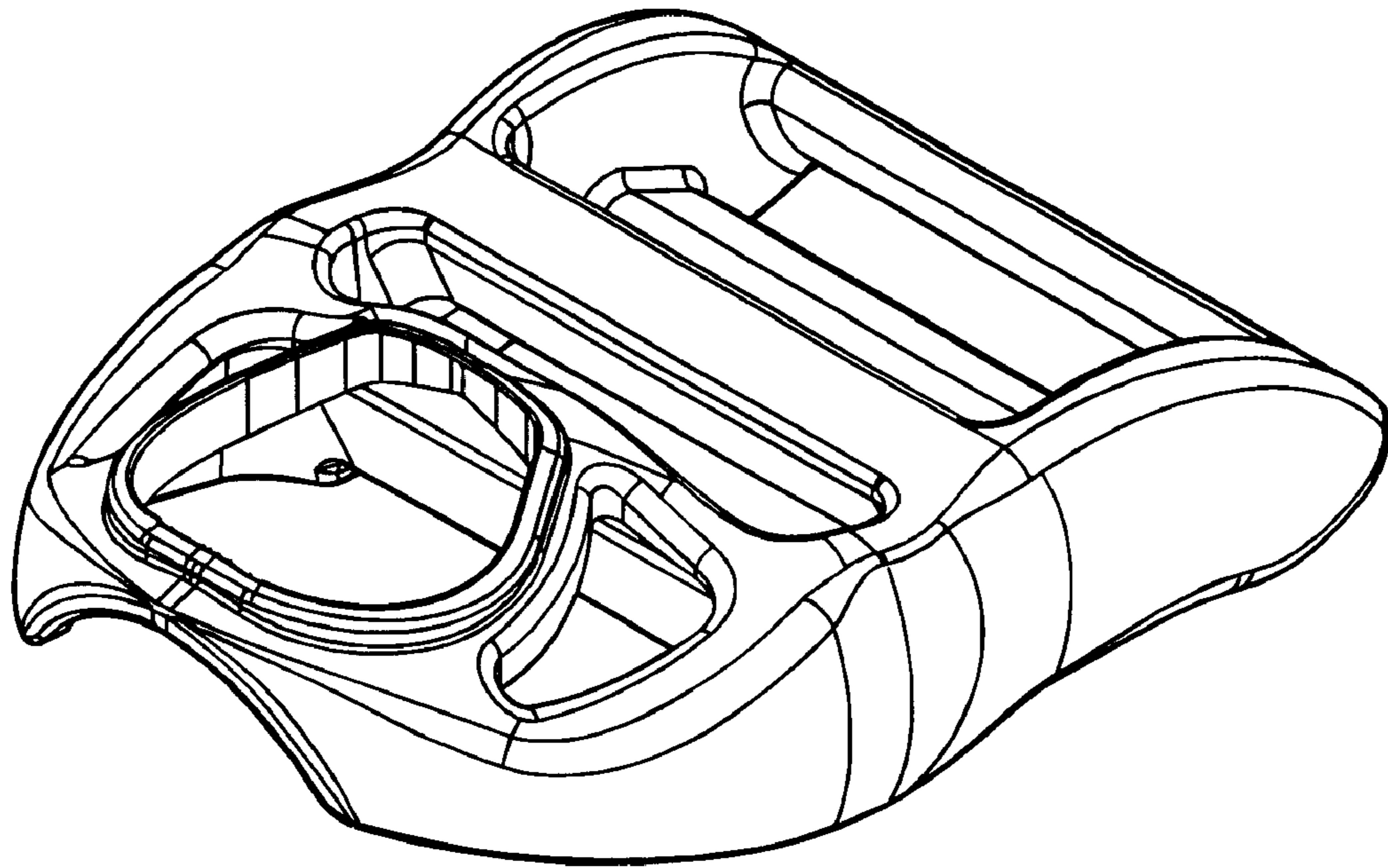


FIG. 1

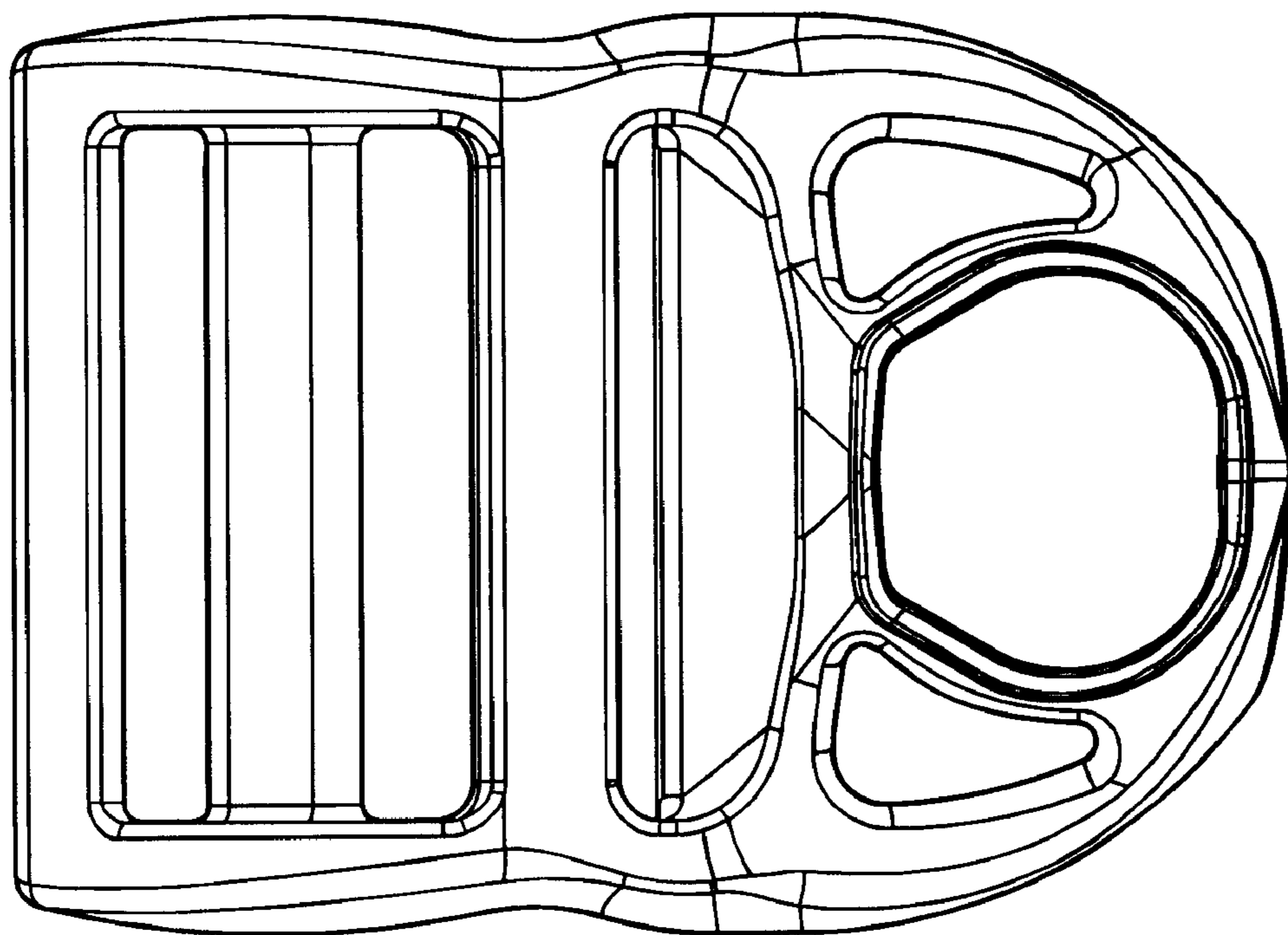


FIG. 2

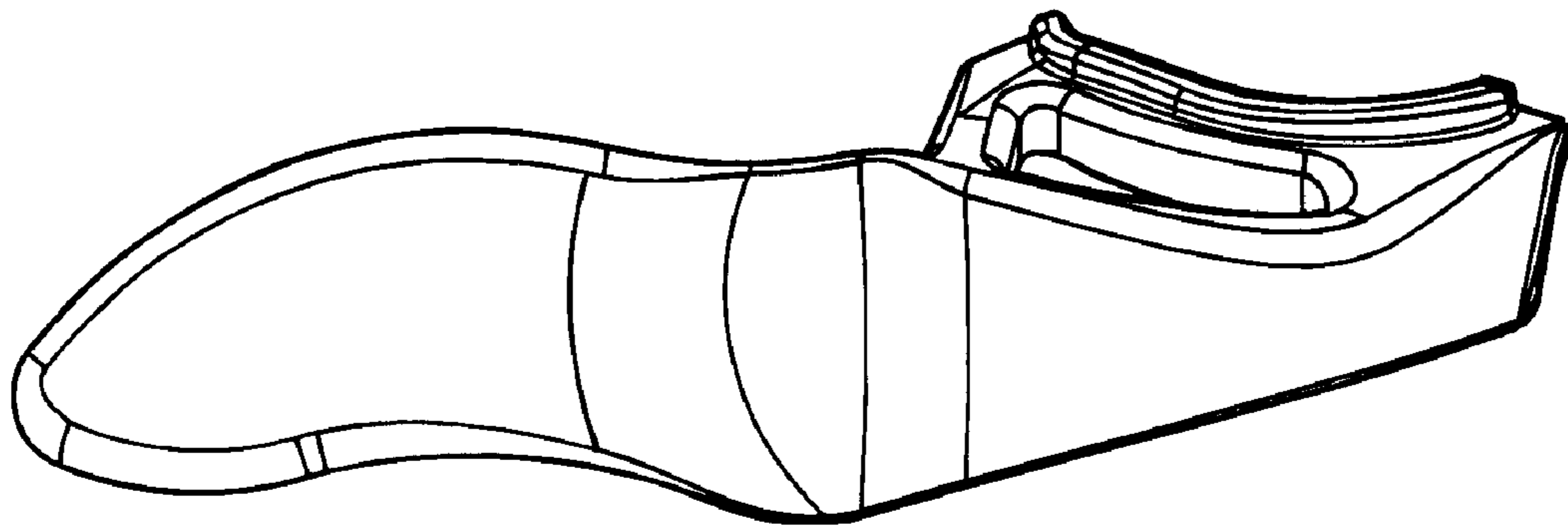


FIG. 3

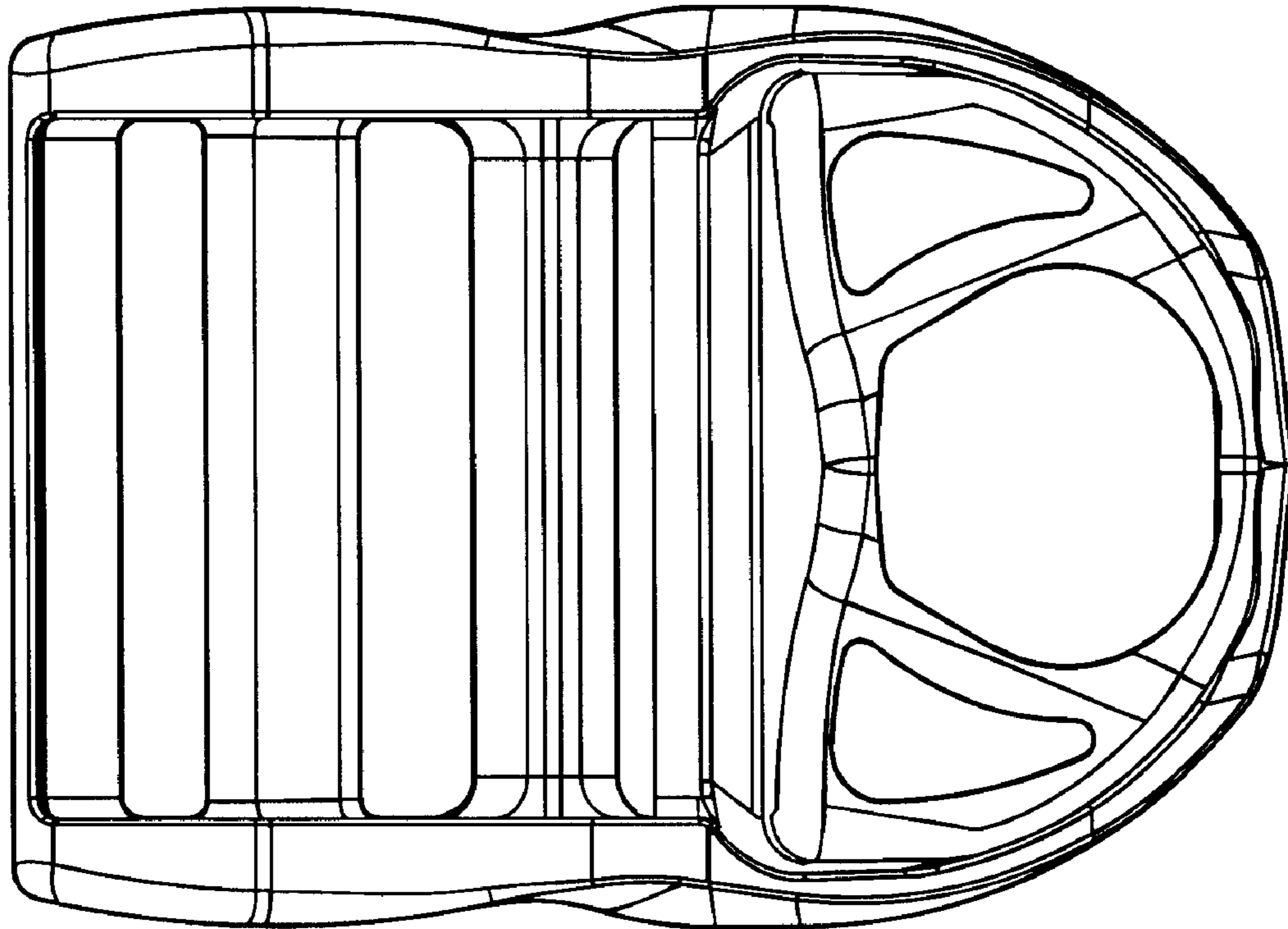


FIG. 4

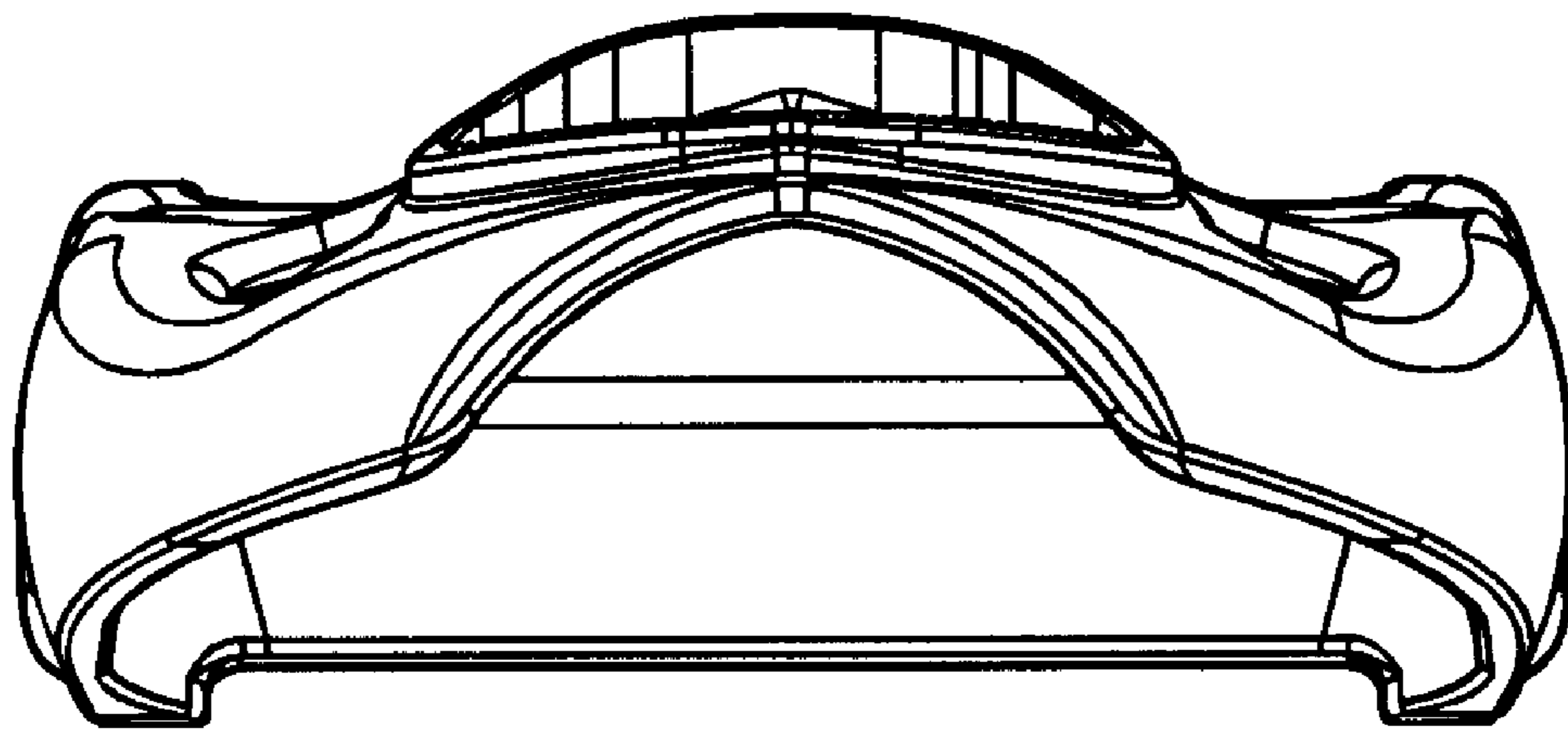


FIG. 5

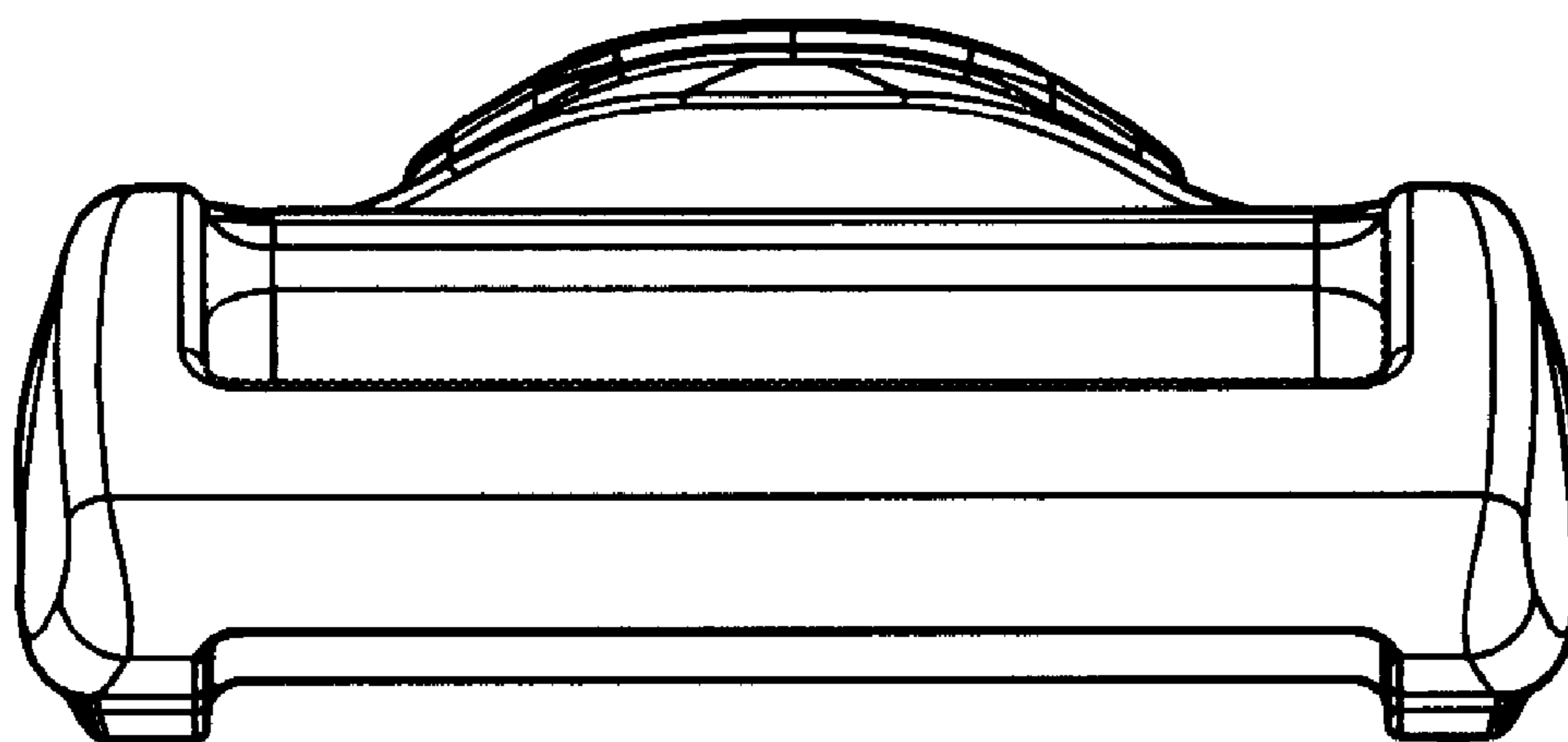


FIG. 6