



US00D521890S

(12) **United States Design Patent**
Motomizu et al.

(10) **Patent No.:** **US D521,890 S**

(45) **Date of Patent:** **** May 30, 2006**

(54) **ELECTRONIC SCALE**

(75) Inventors: **Yujiro Motomizu**, Tokyo (JP);
Masaaki Sato, Tokyo (JP)

(73) Assignee: **Tanita Corporation**, Tokyo (JP)

(**) Term: **14 Years**

(21) Appl. No.: **29/232,497**

(22) Filed: **Jun. 21, 2005**

(30) **Foreign Application Priority Data**

Dec. 22, 2004 (JP) 2004-039350

(51) **LOC (8) Cl.** **10-04**

(52) **U.S. Cl.** **D10/91**

(58) **Field of Classification Search** D10/91,
D10/92; 177/4, 25.12-25.16, 177, 199, 210 R,
177/238-245, DIG. 3; 324/692; 600/506,
600/547

See application file for complete search history.

(56) **References Cited**

U.S. PATENT DOCUMENTS

D448,316 S	*	9/2001	Kesselman	D10/91
D455,092 S	*	4/2002	Kesselman	D10/91
D472,833 S	*	4/2003	Thadani	D10/91
D502,883 S	*	3/2005	Barnes et al.	D10/91
D505,348 S	*	5/2005	Lee	D10/91

* cited by examiner

Primary Examiner—Antoine D. Davis

(74) *Attorney, Agent, or Firm*—McDermott Will & Emery
LLP

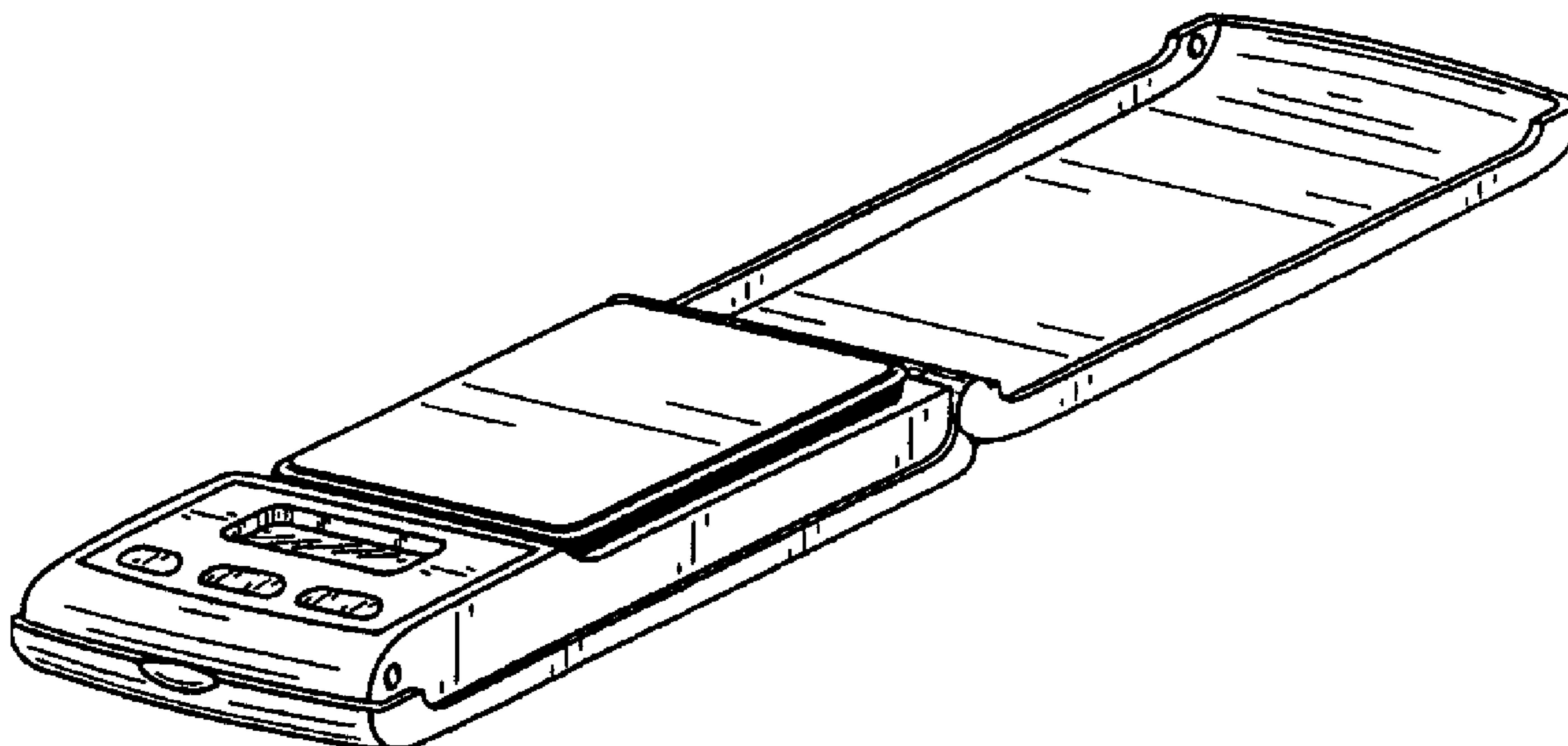
(57) **CLAIM**

The ornamental design for an electronic scale, as shown and described.

DESCRIPTION

FIG. 1 is a front perspective view of the electronic scale showing the new design with its cover closed;
 FIG. 2 is a front view of the electronic scale with the cover closed;
 FIG. 3 is a rear view of the electronic scale with the cover closed;
 FIG. 4 is a side view of the electronic scale with the cover closed;
 FIG. 5 is another side view of the electronic scale with the cover closed;
 FIG. 6 is a top view of the electronic scale with the cover closed;
 FIG. 7 is a bottom view of the electronic scale with the cover closed;
 FIG. 8 is a front perspective view of the electronic scale with the cover open;
 FIG. 9 is a front view of the electronic scale with the cover open;
 FIG. 10 is a rear view of the electronic scale with the cover open;
 FIG. 11 is a side view of the electronic scale with the cover open;
 FIG. 12 is another side view of the electronic scale with the cover open;
 FIG. 13 is a top view of the electronic scale with the cover open; and,
 FIG. 14 is a bottom view of the electronic scale with the cover open.

1 Claim, 8 Drawing Sheets



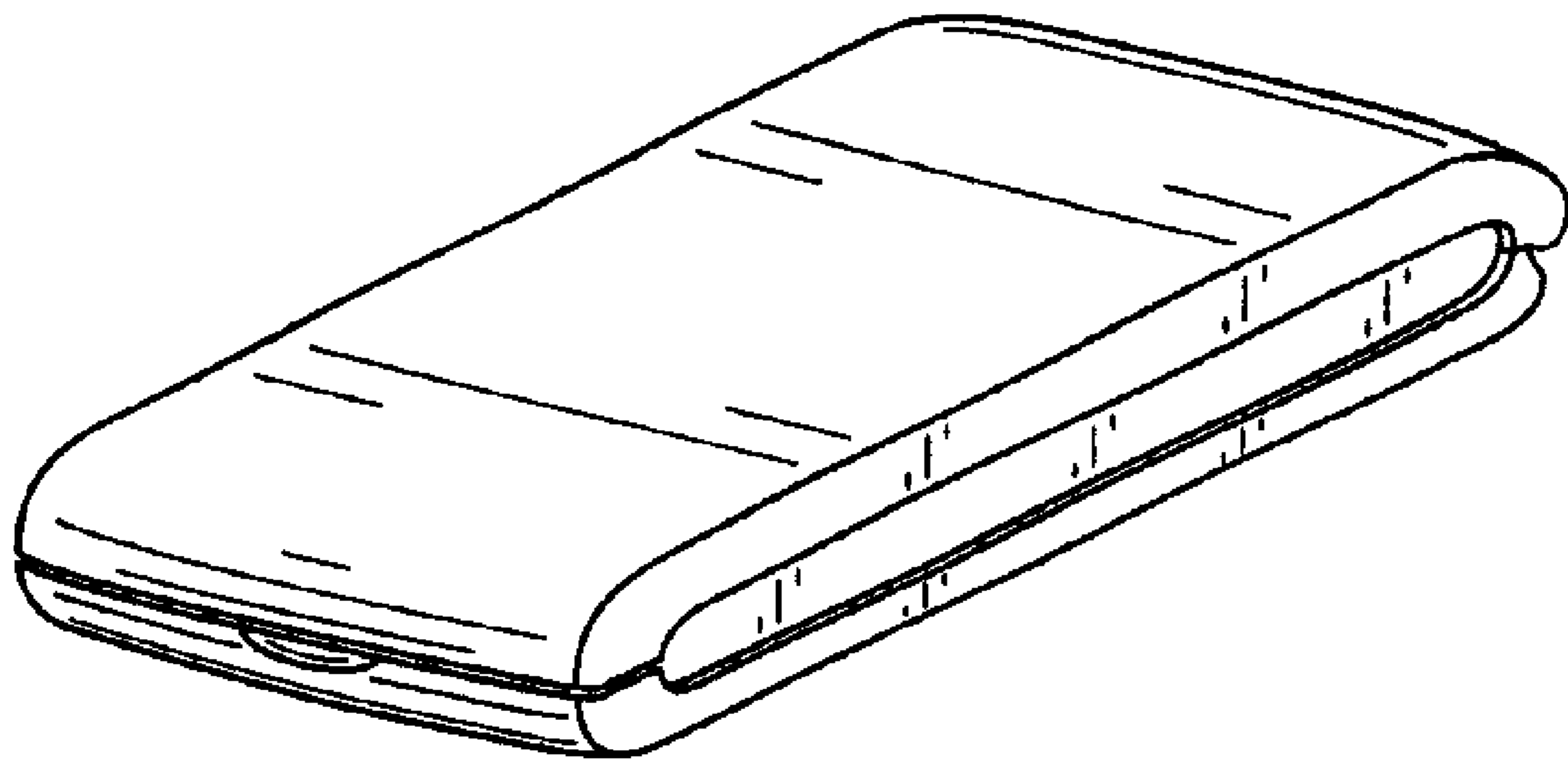


FIG. 1

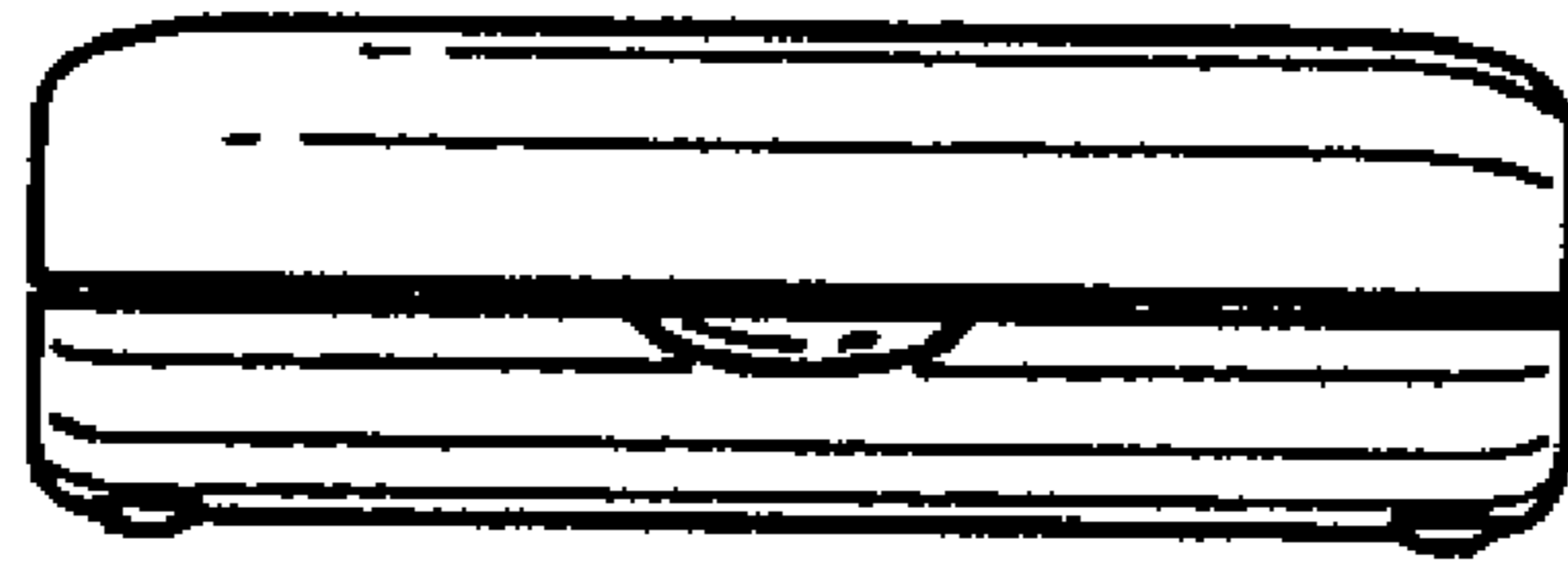


FIG. 2

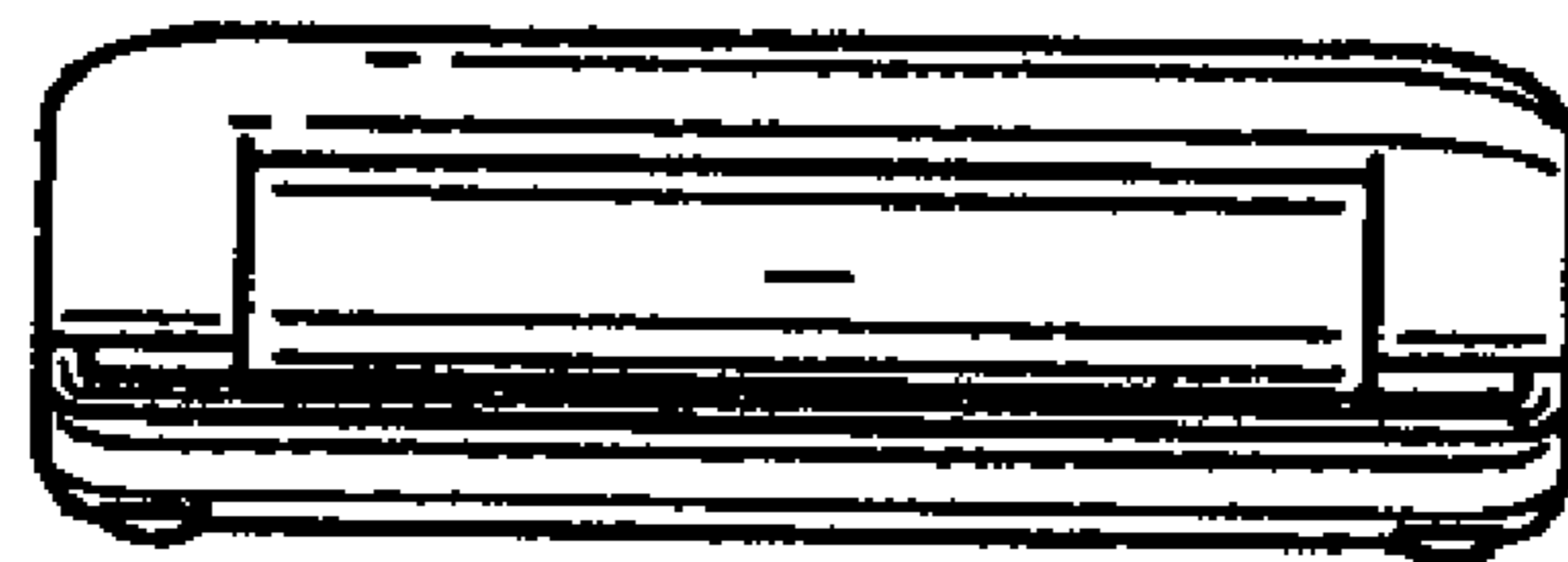


FIG. 3

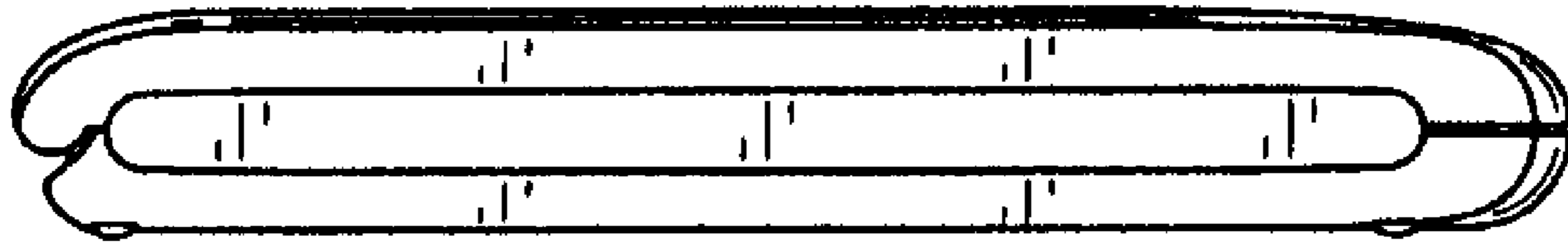


FIG. 4

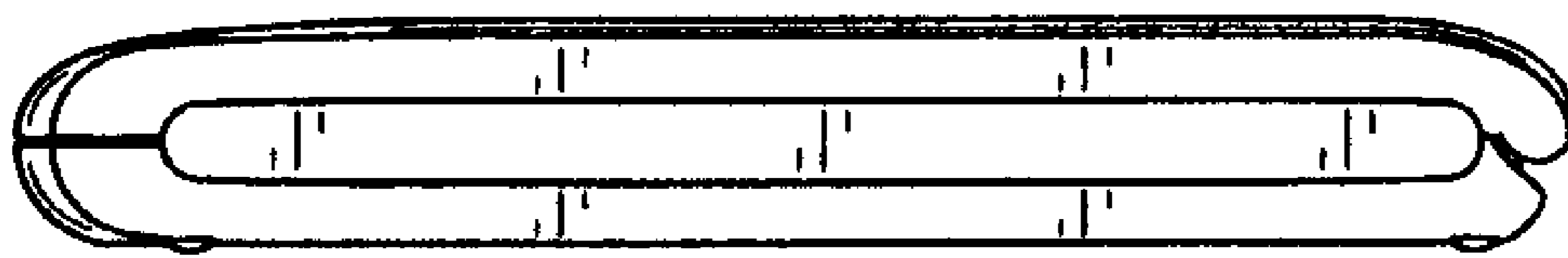


FIG. 5

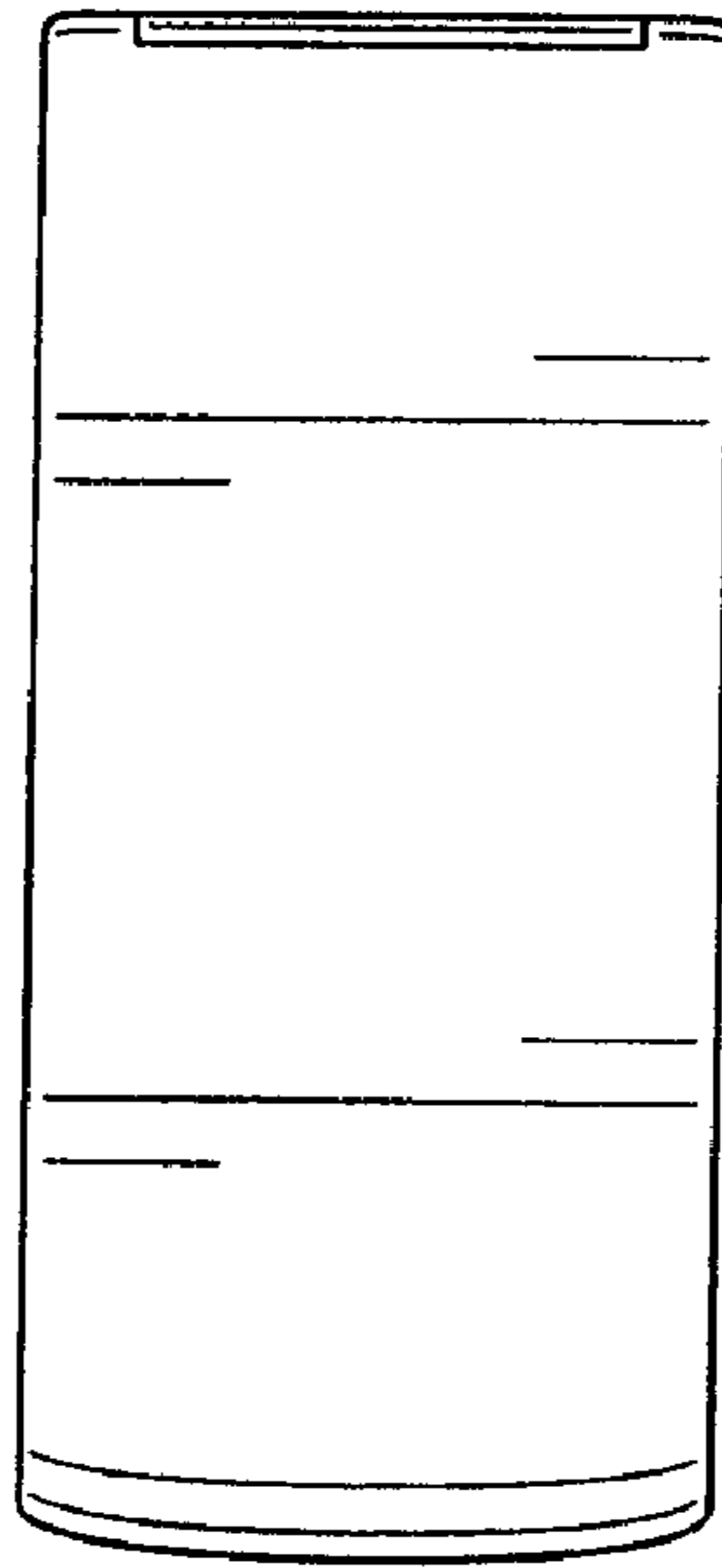


FIG. 6

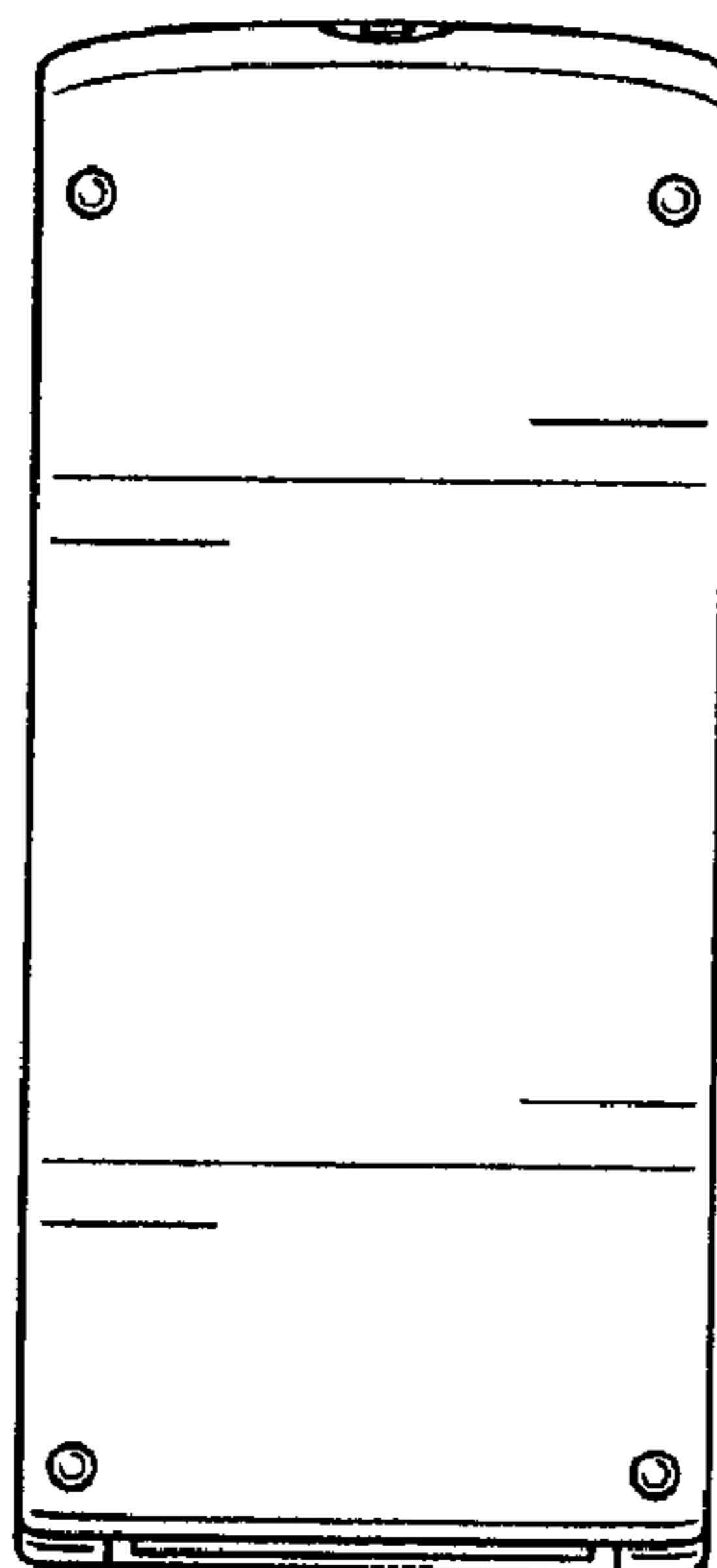


FIG. 7

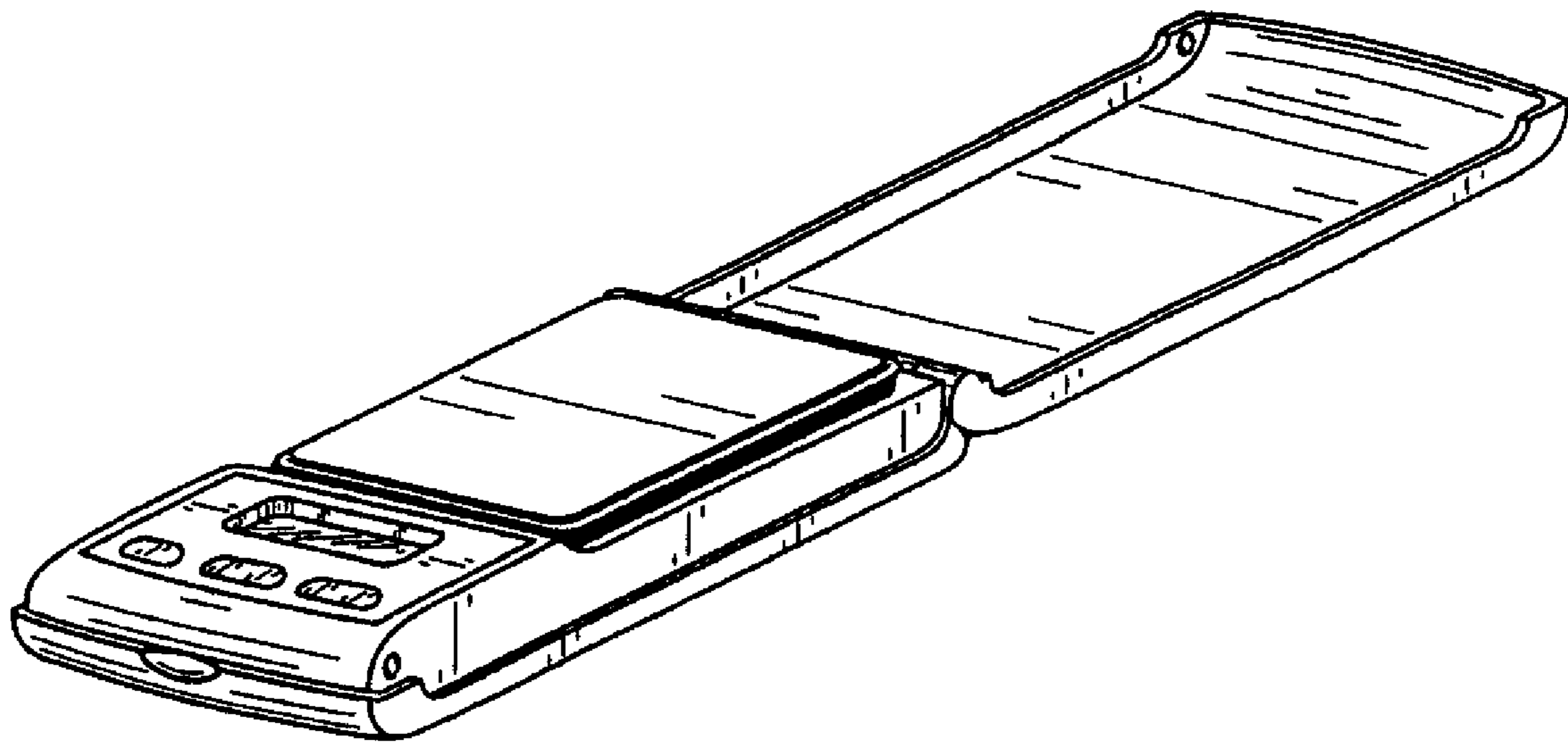


FIG. 8

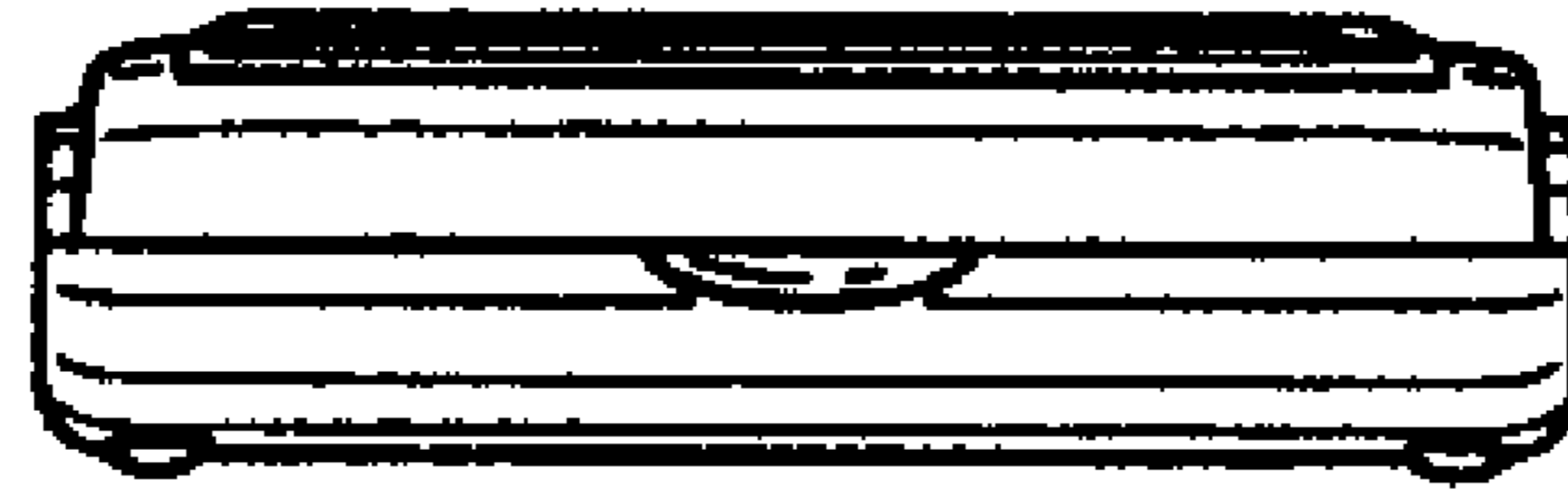


FIG. 9

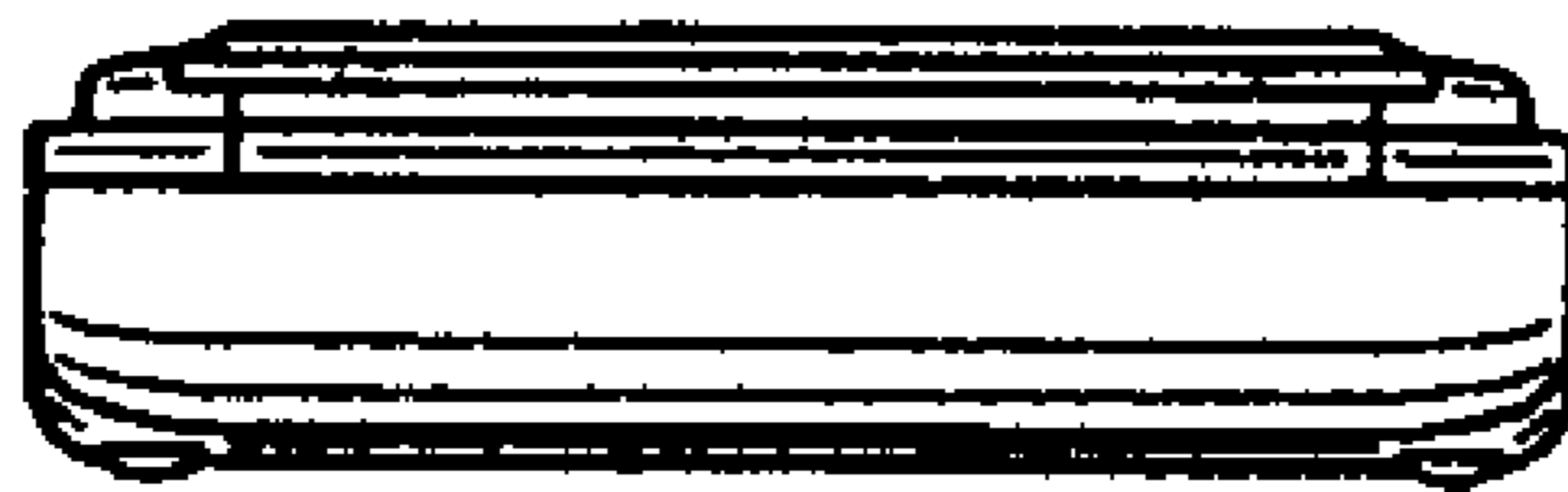


FIG. 10



FIG. 11



FIG. 12

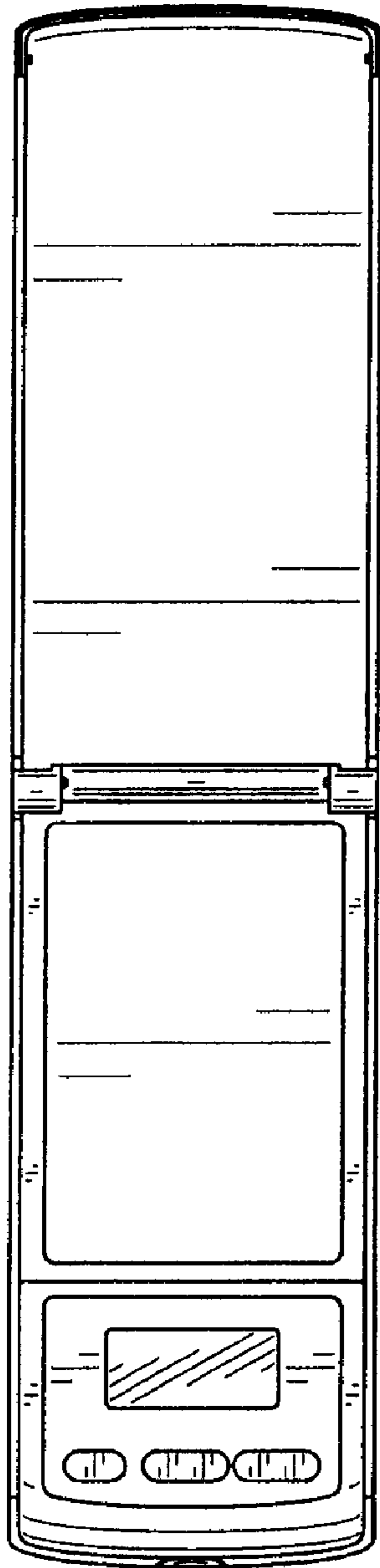


FIG. 13

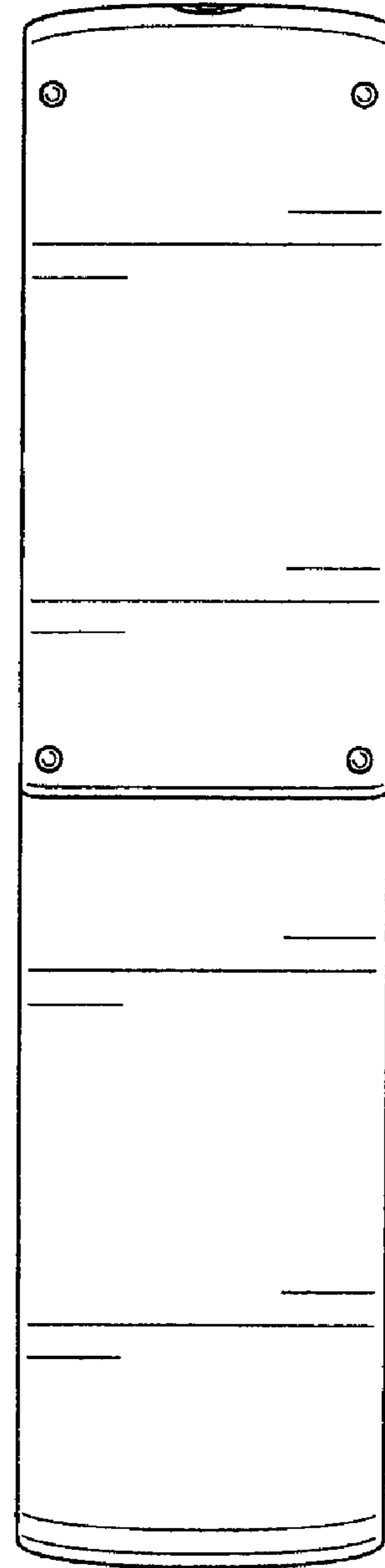


FIG. 14