



US00D521886S

(12) **United States Design Patent**
Nakazato et al.

(10) **Patent No.:** **US D521,886 S**

(45) **Date of Patent:** **** May 30, 2006**

(54) **GAS SAMPLING PUMP**

(75) Inventors: **Takashi Nakazato**, Kanagawa (JP);
Yasusuke Takayama, Kanagawa (JP)

(73) Assignee: **Gastec Corporation**, Kanagawa-ken
(JP)

(**) Term: **14 Years**

(21) Appl. No.: **29/214,917**

(22) Filed: **Oct. 13, 2004**

(30) **Foreign Application Priority Data**

Aug. 30, 2004 (JP) 2004-025880

(51) **LOC (8) Cl.** **10-04**

(52) **U.S. Cl.** **D10/81; D10/78**

(58) **Field of Classification Search** D10/78,
D10/81; 73/863.02, 863.22, 864.34, 864.35,
73/864.62, 864.83, 864.84, 864.86; 364/496;
417/313, 401, 541, 552, 553, 570

See application file for complete search history.

(56) **References Cited**

U.S. PATENT DOCUMENTS

4,531,895 A * 7/1985 Zeck 417/401

D345,706 S * 4/1994 Martell D10/81
D345,707 S * 4/1994 Alister D10/81
5,476,017 A * 12/1995 Pinto et al. 73/864.62
5,591,894 A * 1/1997 Falk et al. 73/19.07
D398,548 S * 9/1998 Nakazato et al. D10/81
6,017,201 A * 1/2000 Yang 417/454

* cited by examiner

Primary Examiner—Antoine D. Davis

(74) *Attorney, Agent, or Firm*—Wenderoth, Lind & Ponack,
L.L.P.

(57) **CLAIM**

The ornamental design for a gas sampling pump, as shown
and described.

DESCRIPTION

FIG. 1 is a perspective view of the gas sampling pump
showing my new design;

FIG. 2 is a front elevational view thereof;

FIG. 3 is a top plan view thereof;

FIG. 4 is a bottom plan view thereof;

FIG. 5 is a left side elevational view thereof; and,

FIG. 6 is a right side elevational view thereof.

1 Claim, 4 Drawing Sheets

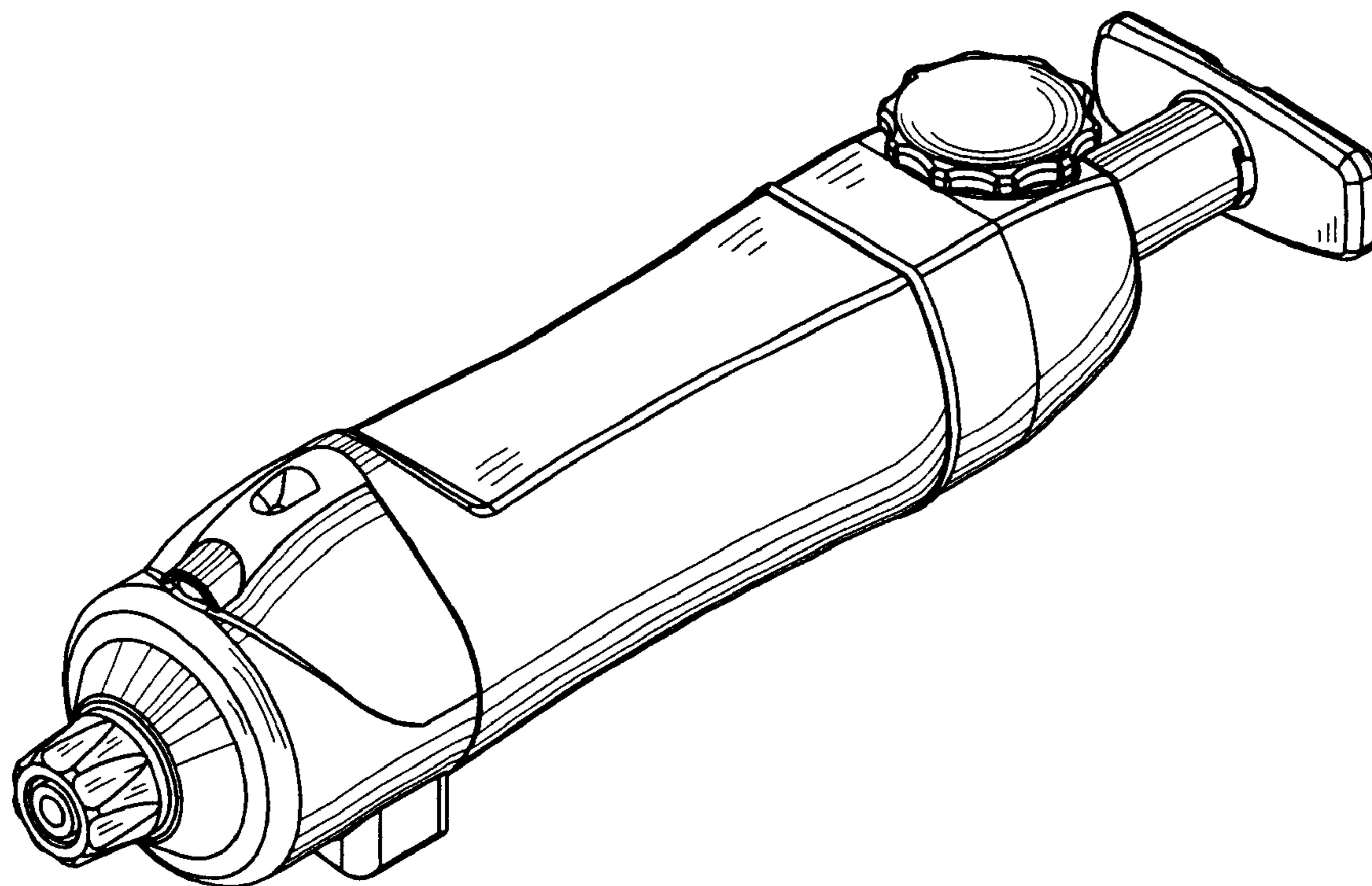


Fig. 1

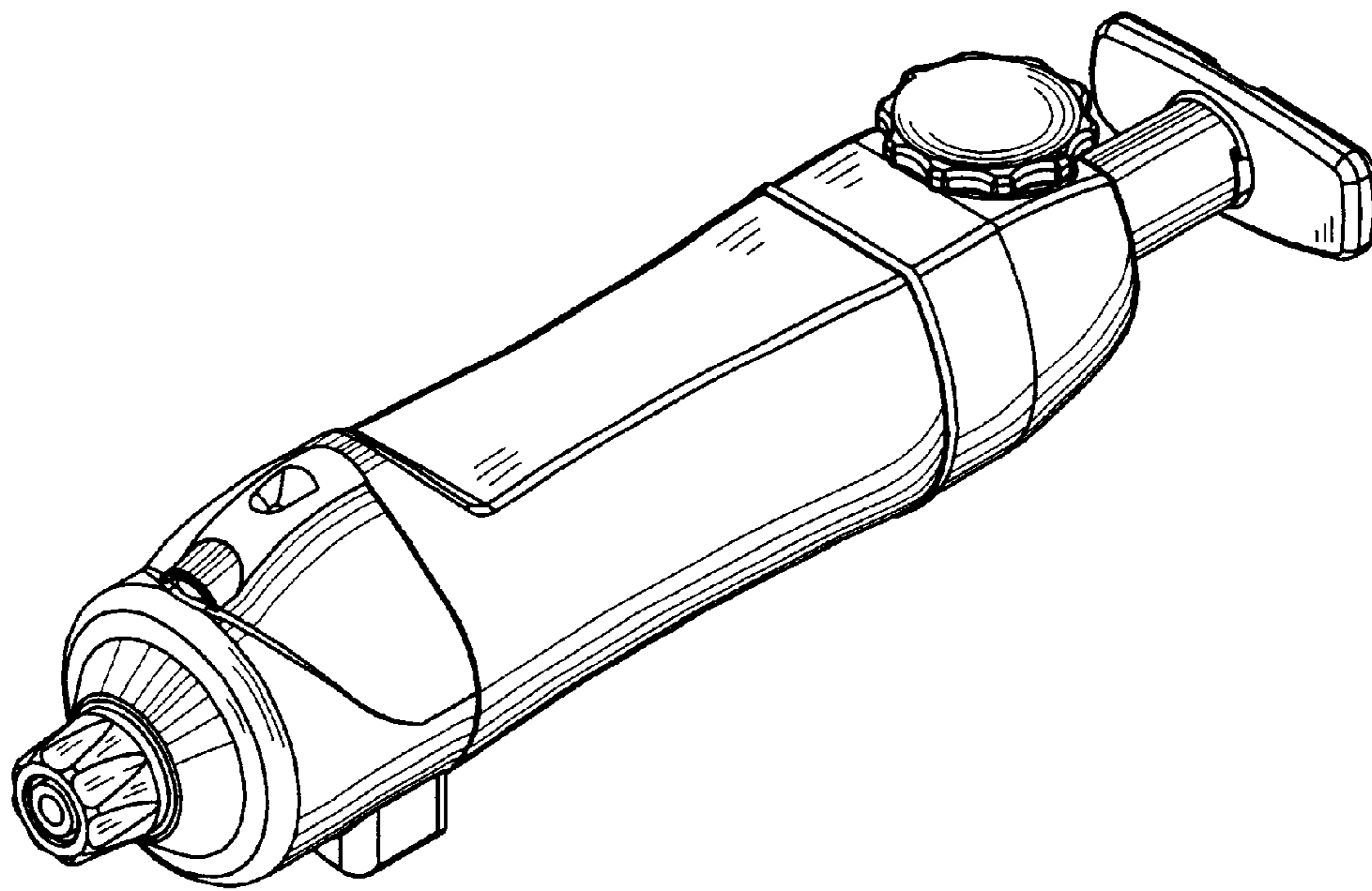


Fig. 2

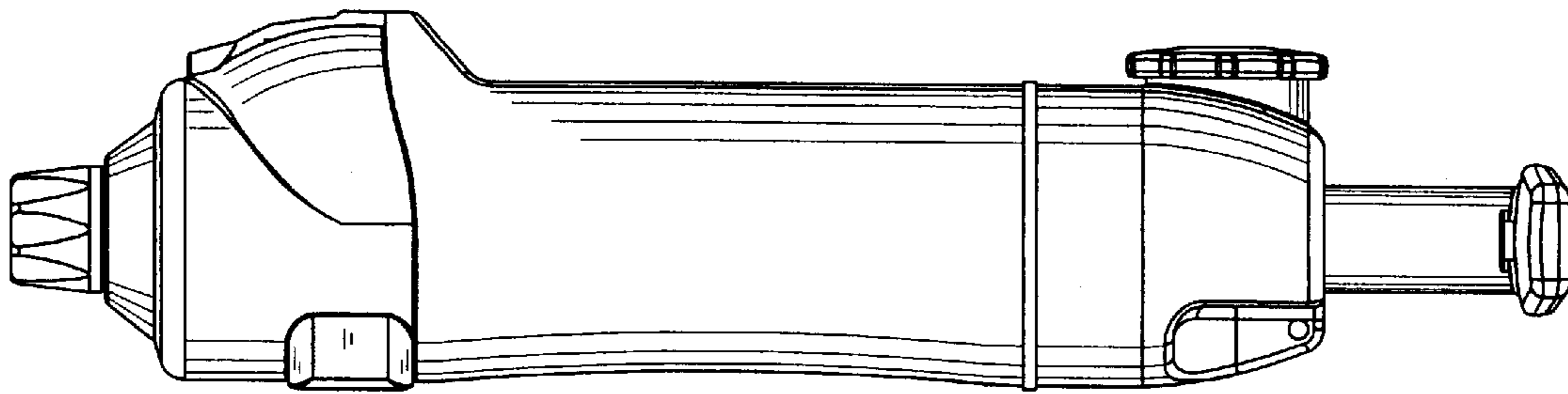


Fig. 3

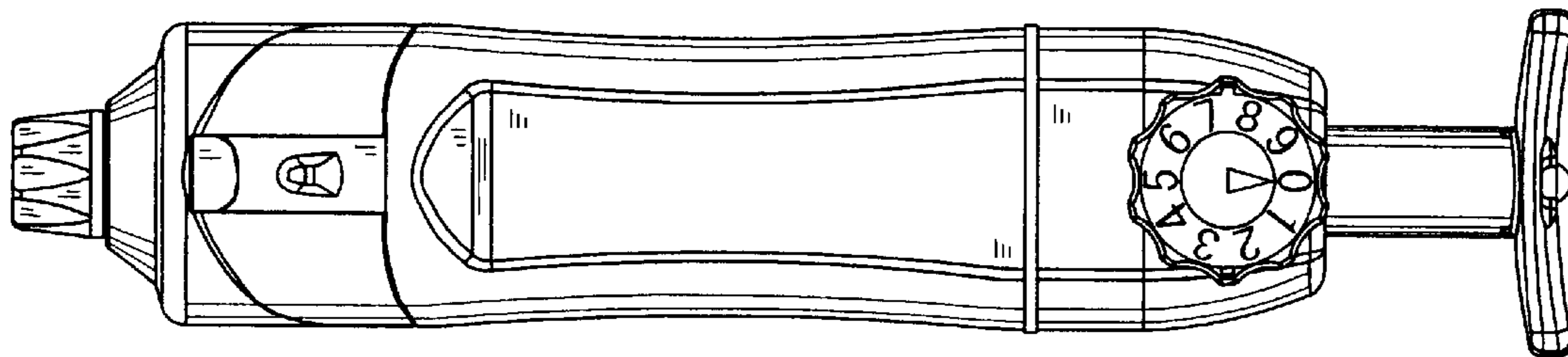


Fig. 4

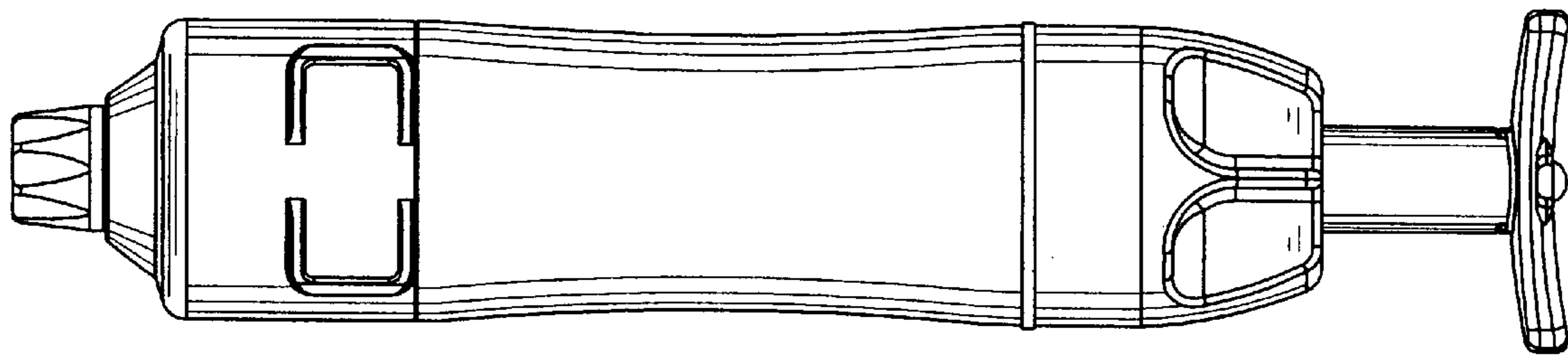


Fig. 5

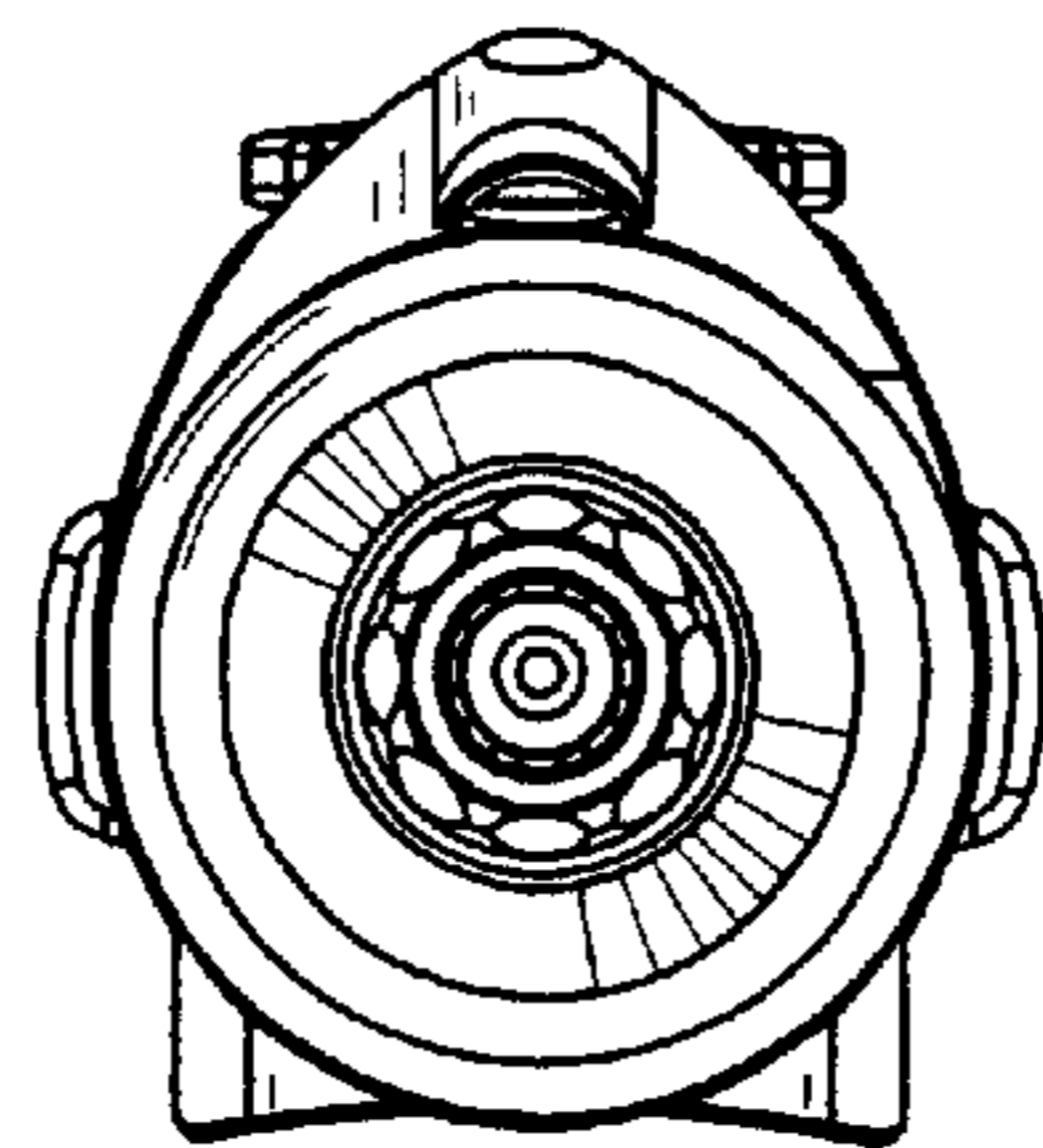


Fig. 6

