



US00D521883S

(12) **United States Design Patent**  
**Meyer**

(10) **Patent No.:** **US D521,883 S**

(45) **Date of Patent:** **\*\* May 30, 2006**

(54) **INDICATOR**

D478,019 S \* 8/2003 Meyer ..... D10/70

(75) Inventor: **Hans U. Meyer**, Morges (CH)

\* cited by examiner

(73) Assignee: **Melius SA**, Crissier (CH)

*Primary Examiner*—Antoine D. Davis

(74) *Attorney, Agent, or Firm*—McGlew & Tuttle, PC

(\*\*) Term: **14 Years**

(57) **CLAIM**

(21) Appl. No.: **29/206,501**

The ornamental design for an indicator, as shown and described.

(22) Filed: **Jun. 1, 2004**

**DESCRIPTION**

(51) **LOC (8) Cl.** ..... **10-04**

(52) **U.S. Cl.** ..... **D10/70**

(58) **Field of Classification Search** ..... D10/70;  
33/783, 784, 787, 810, 811, 812  
See application file for complete search history.

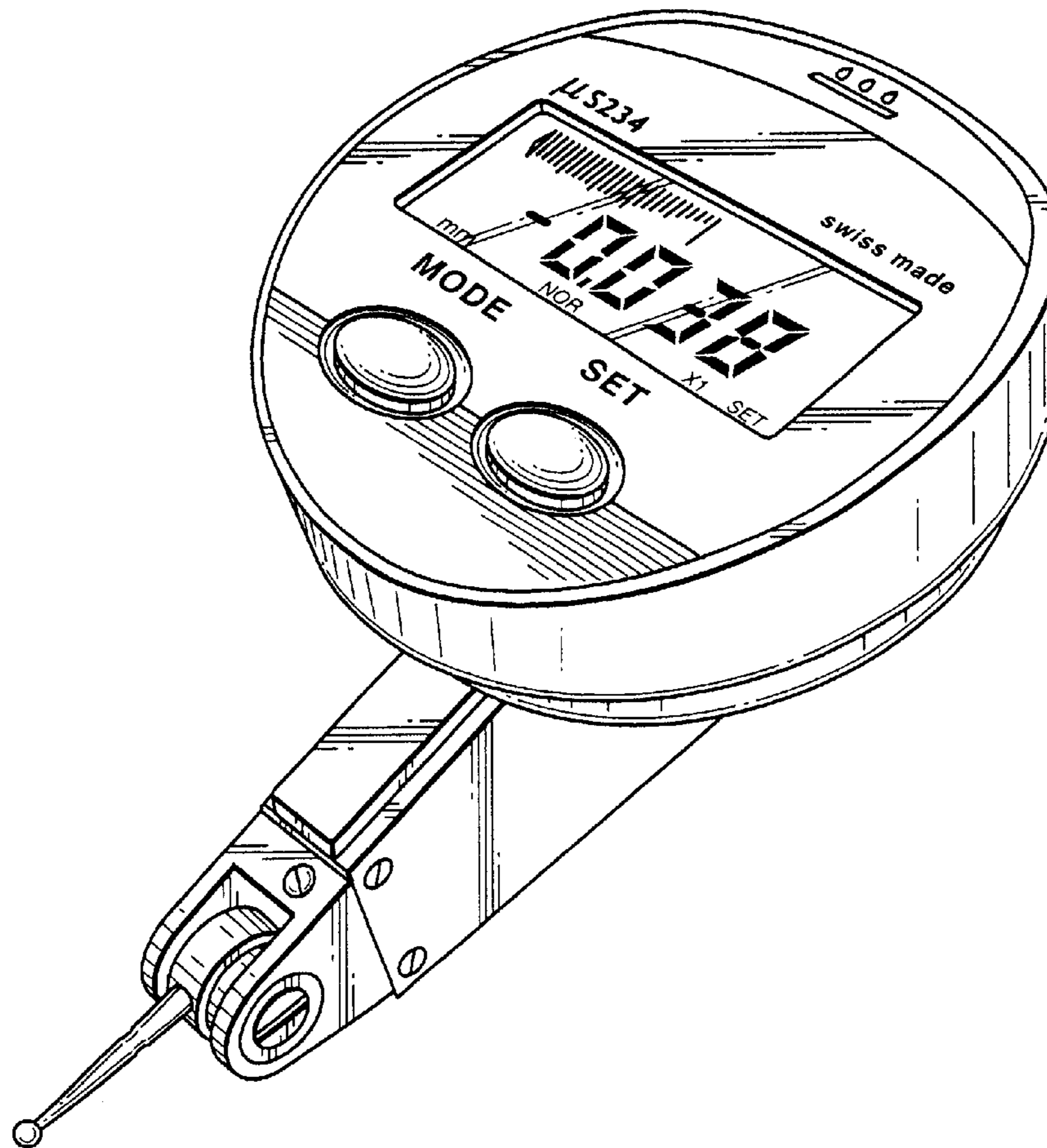
FIG. 1 is a bottom front end perspective view of my new indicator design;  
FIG. 2 is a bottom rear end perspective view thereof;  
FIG. 3 is a top side perspective view thereof;  
FIG. 4 is a right side view thereof;  
FIG. 5 is a bottom view thereof;  
FIG. 6 is a left side view thereof; and,  
FIG. 7 is a top view thereof.

(56) **References Cited**

**U.S. PATENT DOCUMENTS**

6,044,573 A \* 4/2000 Cockrill ..... 33/812  
6,412,187 B1 \* 7/2002 Sasaki et al. .... 33/784

**1 Claim, 7 Drawing Sheets**



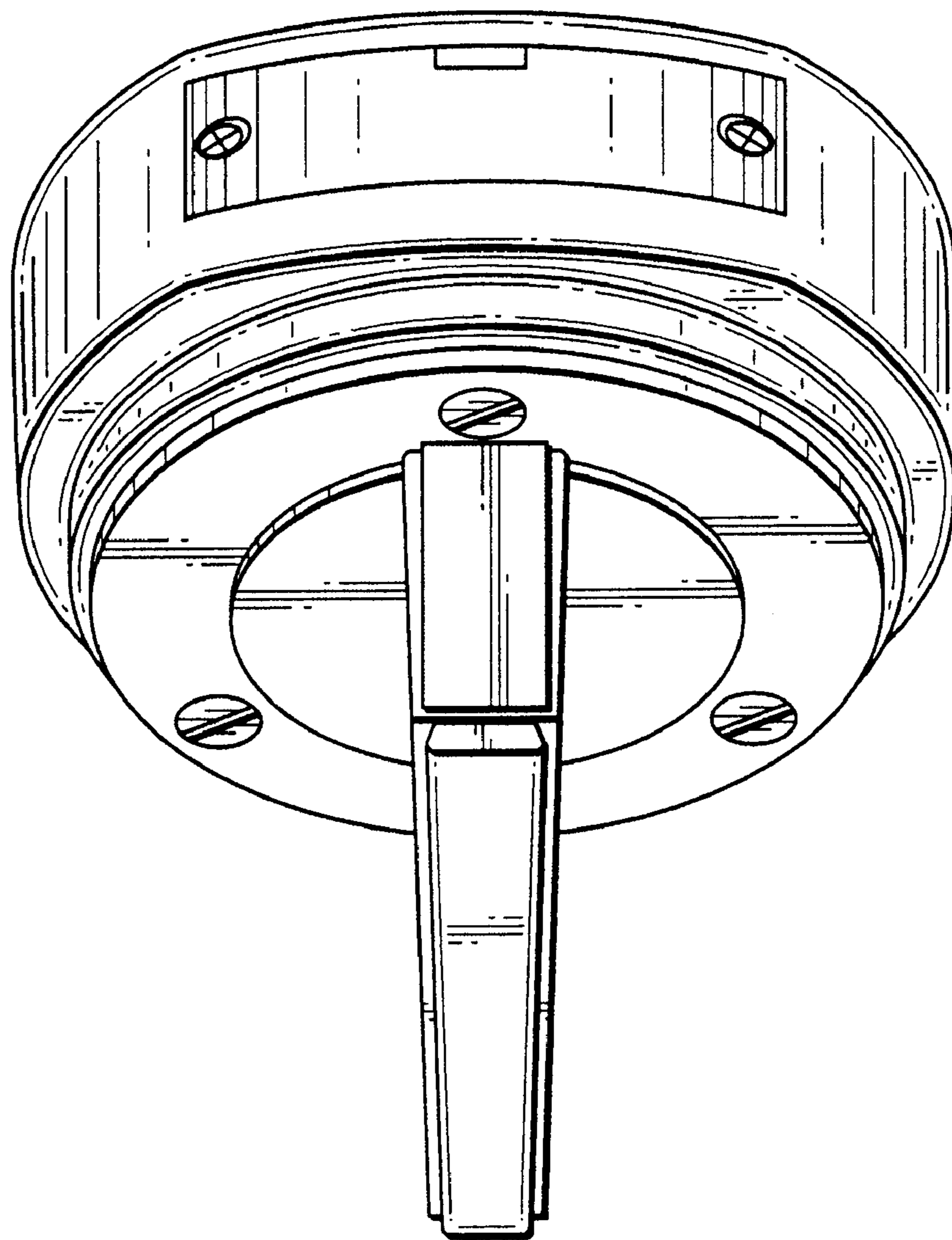


FIG. 1

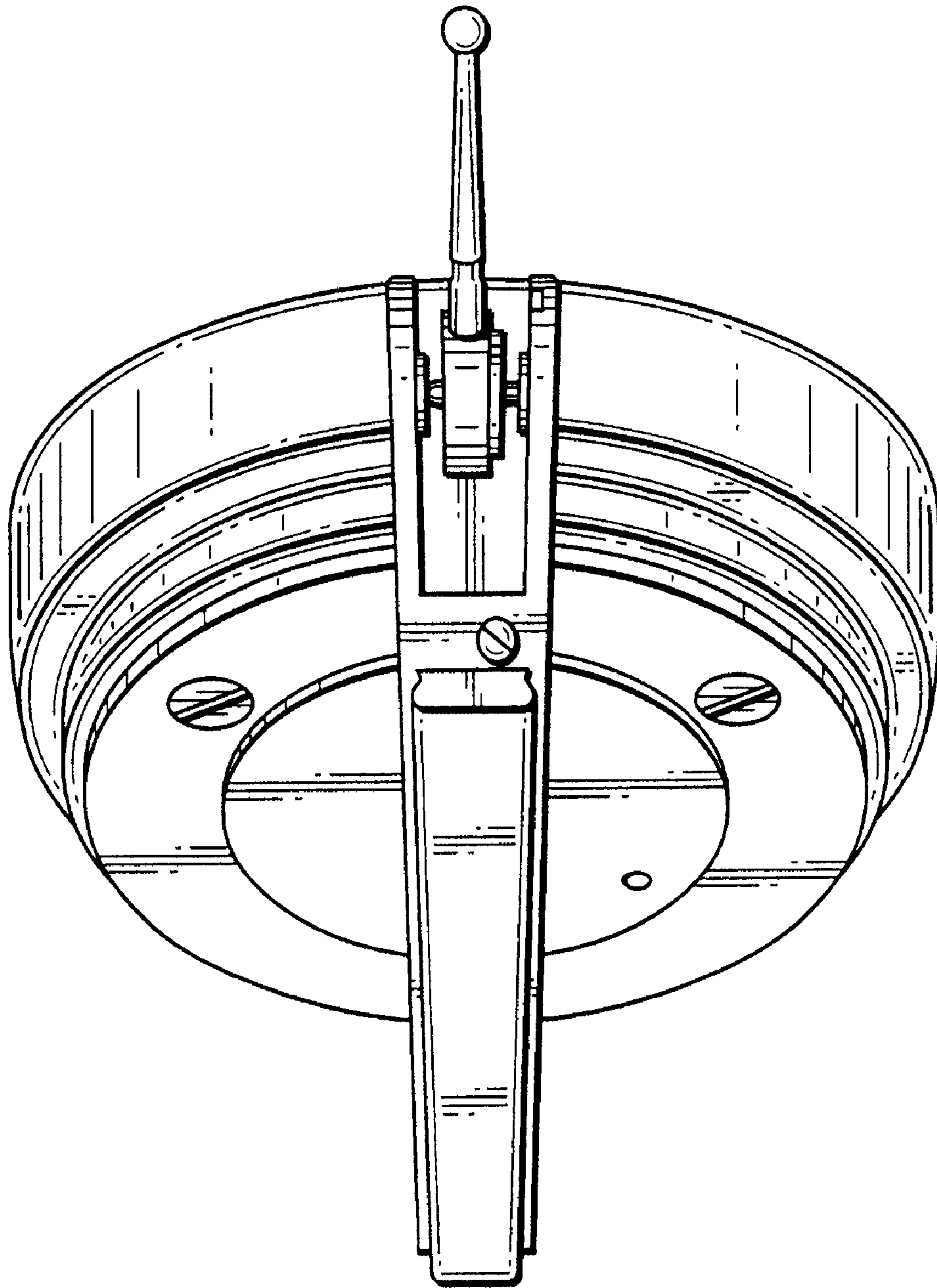


FIG. 2

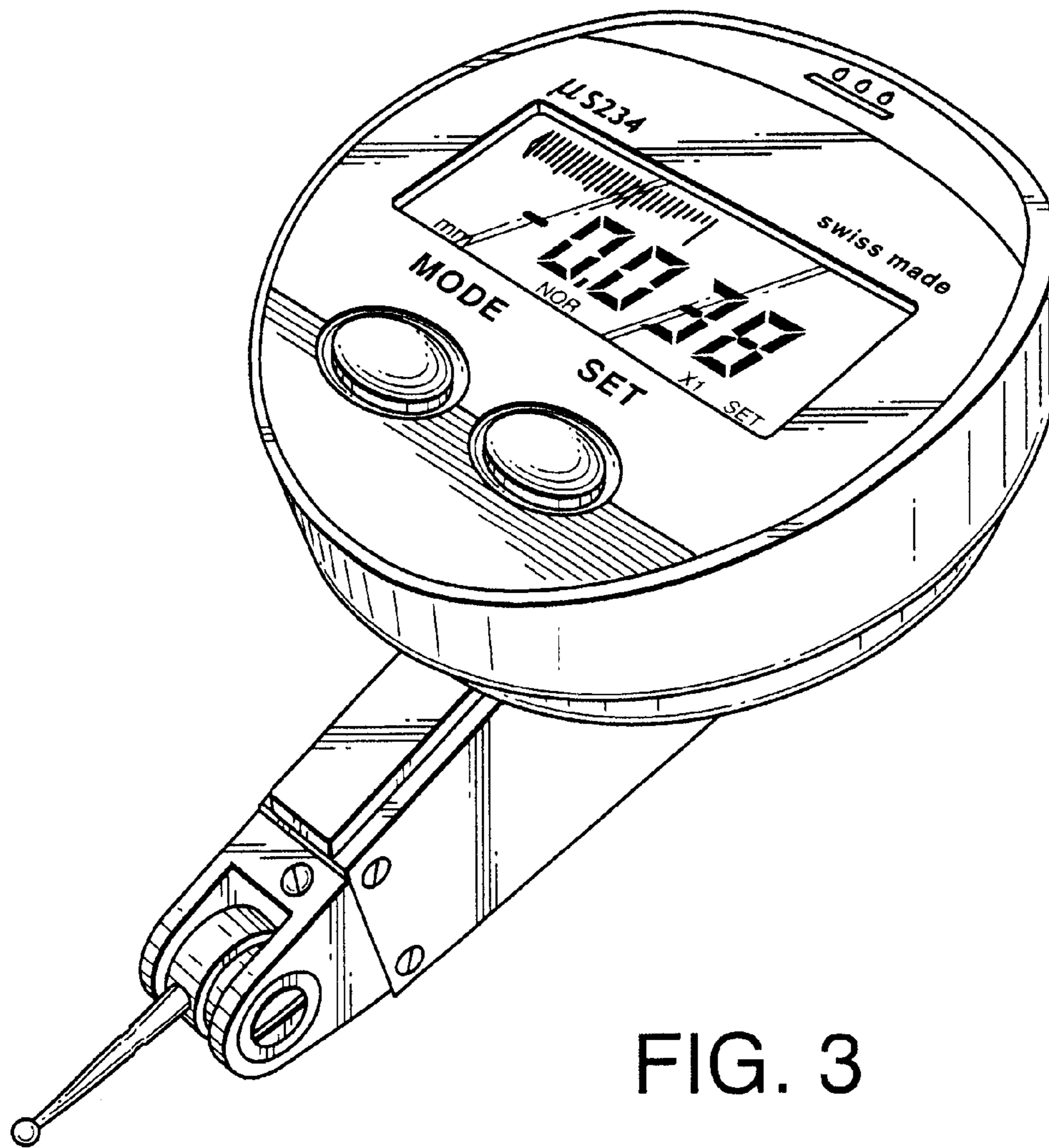


FIG. 3

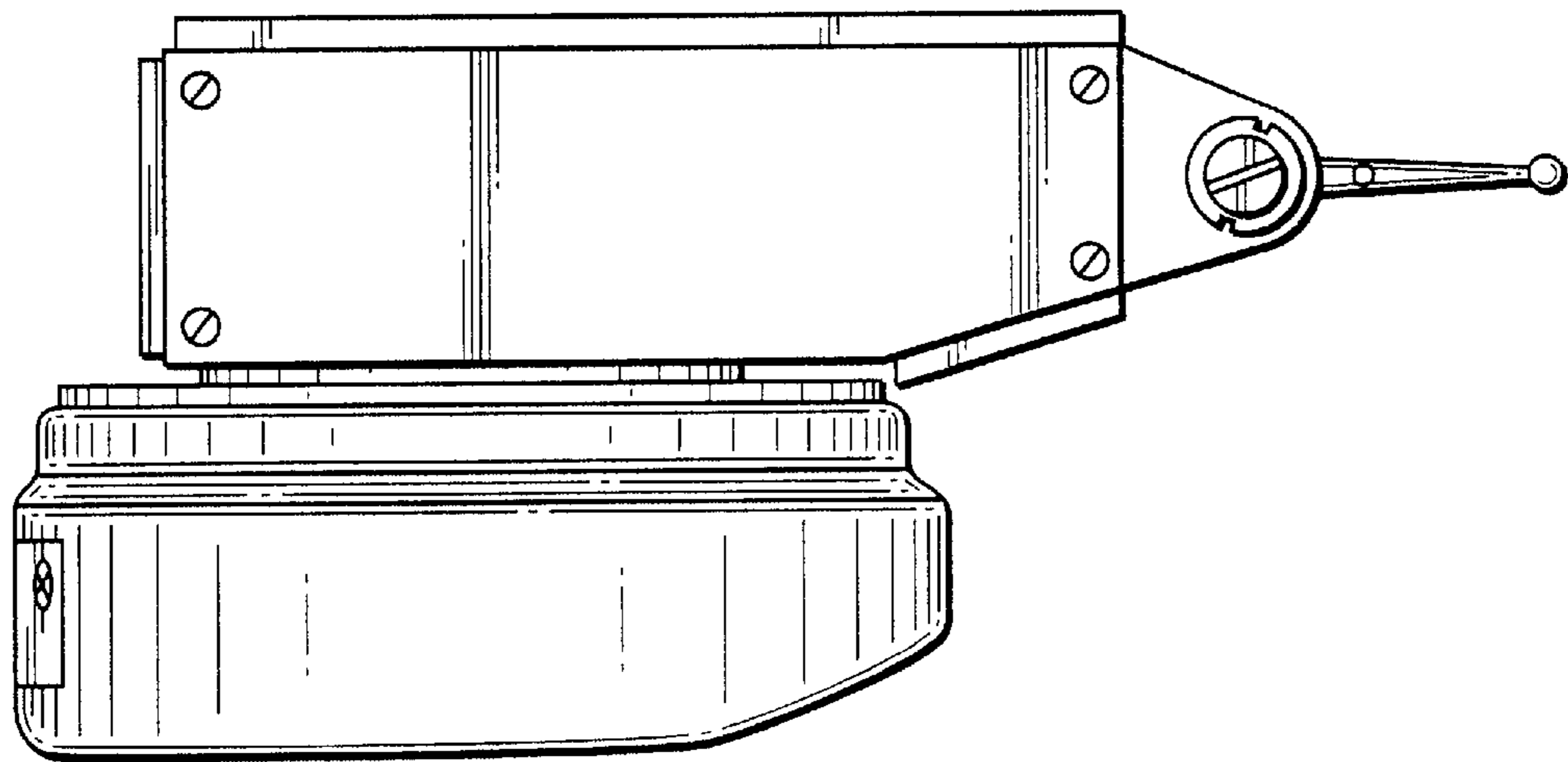


FIG. 4



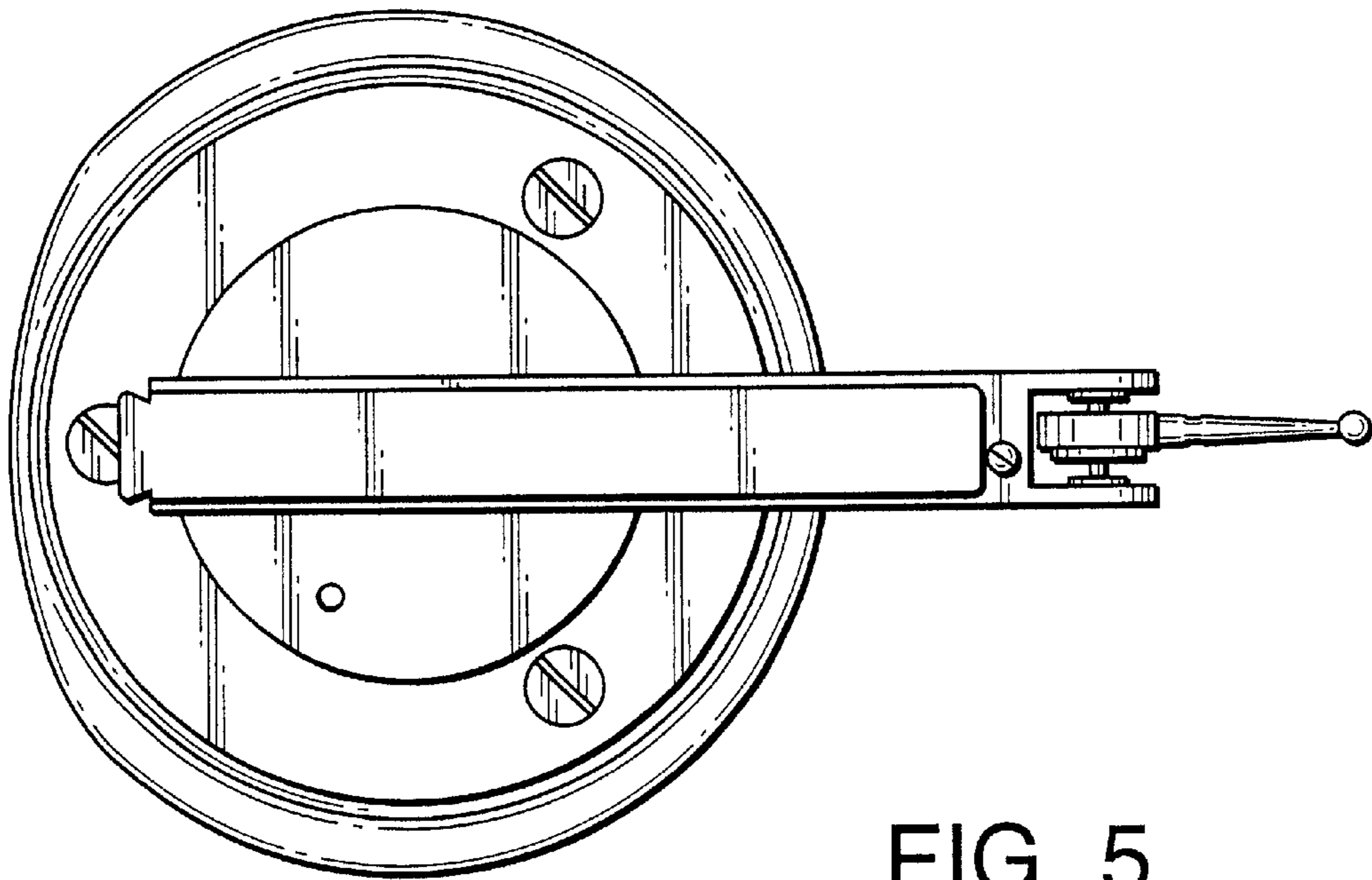


FIG. 5

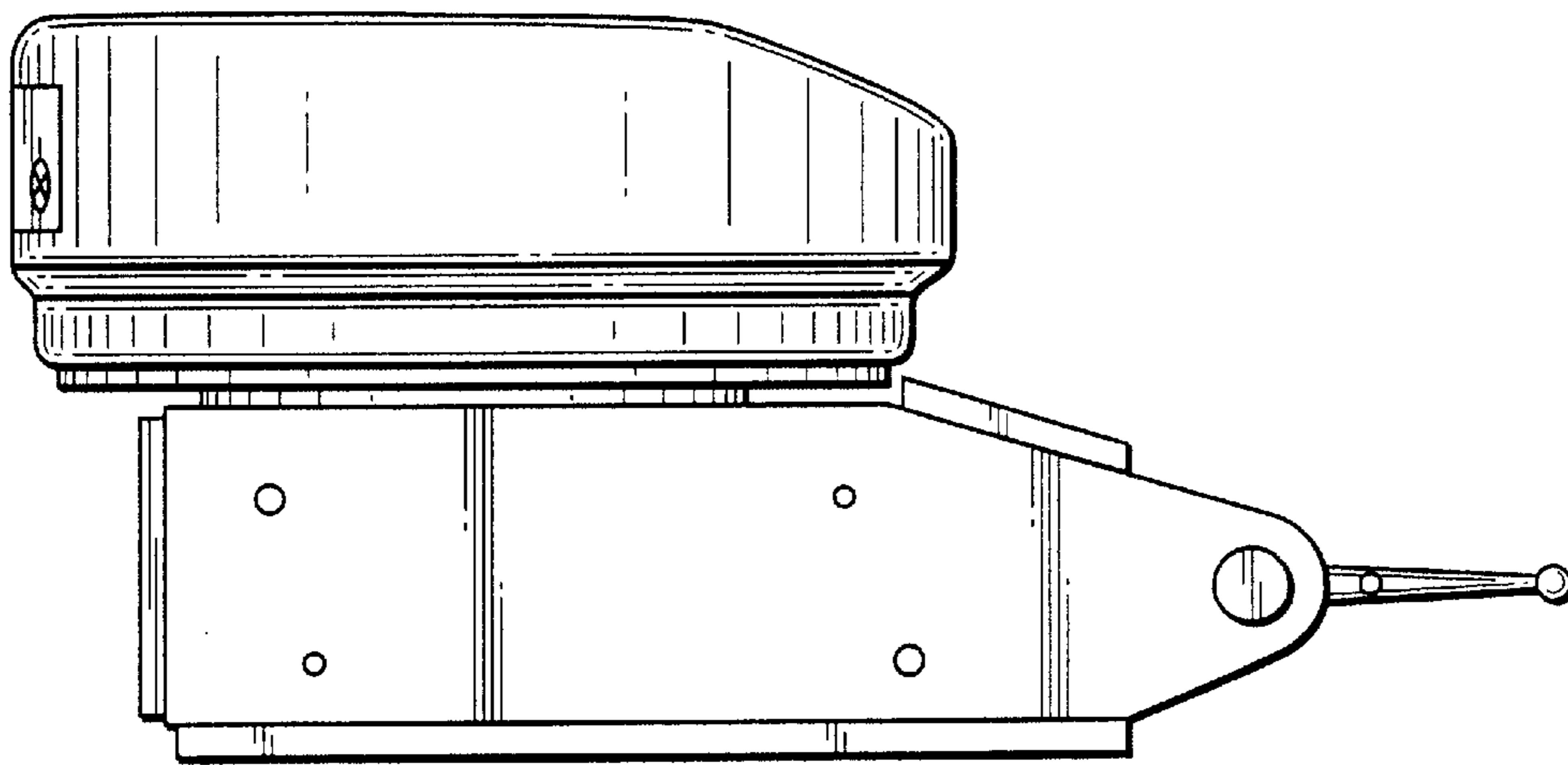


FIG. 6

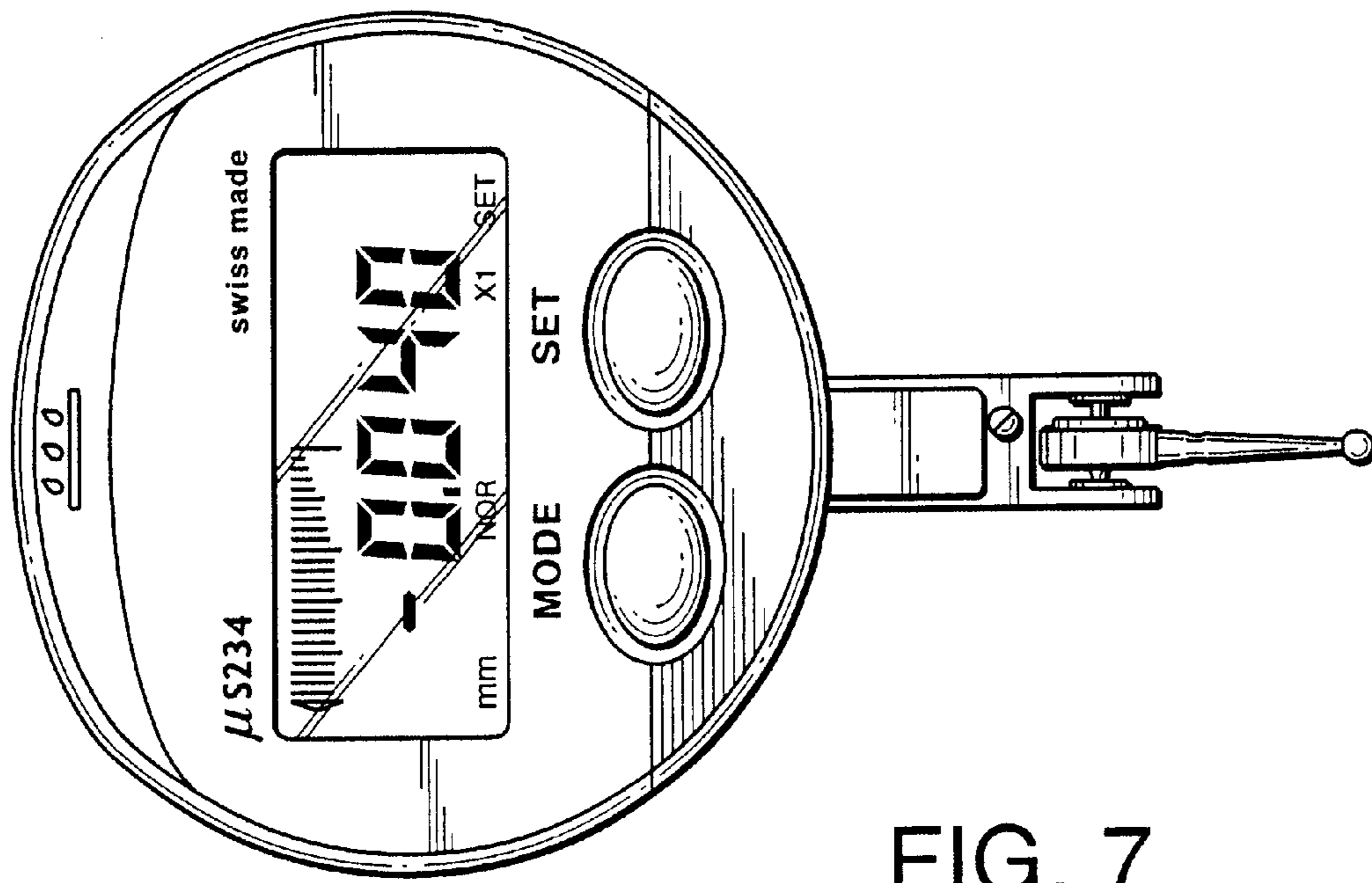


FIG. 7