

US00D521882S

(12) **United States Design Patent**
Kim

(10) **Patent No.:** **US D521,882 S**

(45) **Date of Patent:** **** May 30, 2006**

(54) **TORPEDO LEVEL**

D301,553 S * 6/1989 Makofsky et al. D10/69
D332,226 S * 1/1993 Hutchins et al. D10/69

(75) Inventor: **Charles Kim**, Raleigh, NC (US)

* cited by examiner

(73) Assignee: **Empire Level Mfg. Co.**, Mukwanago, WI (US)

Primary Examiner—Antoine D. Davis

(**) Term: **14 Years**

(74) *Attorney, Agent, or Firm*—Jansson, Shupe, Munger & Antaramian

(21) Appl. No.: **29/229,989**

(57) **CLAIM**

(22) Filed: **May 13, 2005**

The ornamental design for a torpedo level, as shown and described.

Related U.S. Application Data

DESCRIPTION

(63) Continuation-in-part of application No. 29/213,986, filed on Sep. 24, 2004, now abandoned.

(51) **LOC (8) Cl.** **10-04**

(52) **U.S. Cl.** **D10/69**

(58) **Field of Classification Search** D10/69;
33/365, 366.11–366.27, 367–391

See application file for complete search history.

FIG. 1 is a top perspective view of a torpedo level.

FIG. 2 is a front elevation view of FIG. 1.

FIG. 3 is a rear elevation view of FIG. 1.

FIG. 4 is a top plan view of FIG. 1.

FIG. 5 is a bottom plan view of FIG. 1; and,

FIG. 6 is a right-end elevation view of FIG. 1, the left-end view being a mirror image.

(56) **References Cited**

U.S. PATENT DOCUMENTS

D224,663 S * 8/1972 de Jong D10/69

1 Claim, 3 Drawing Sheets

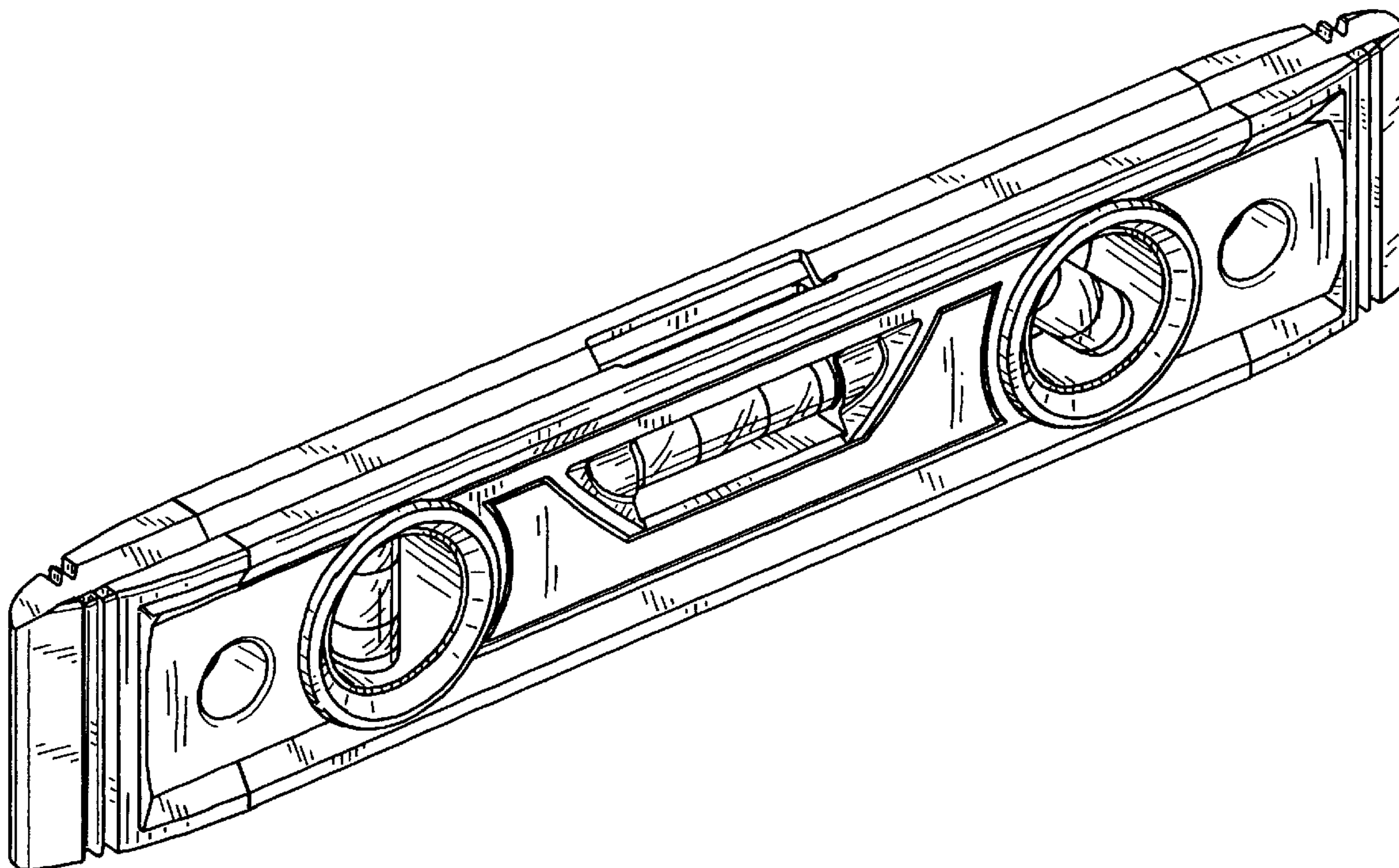
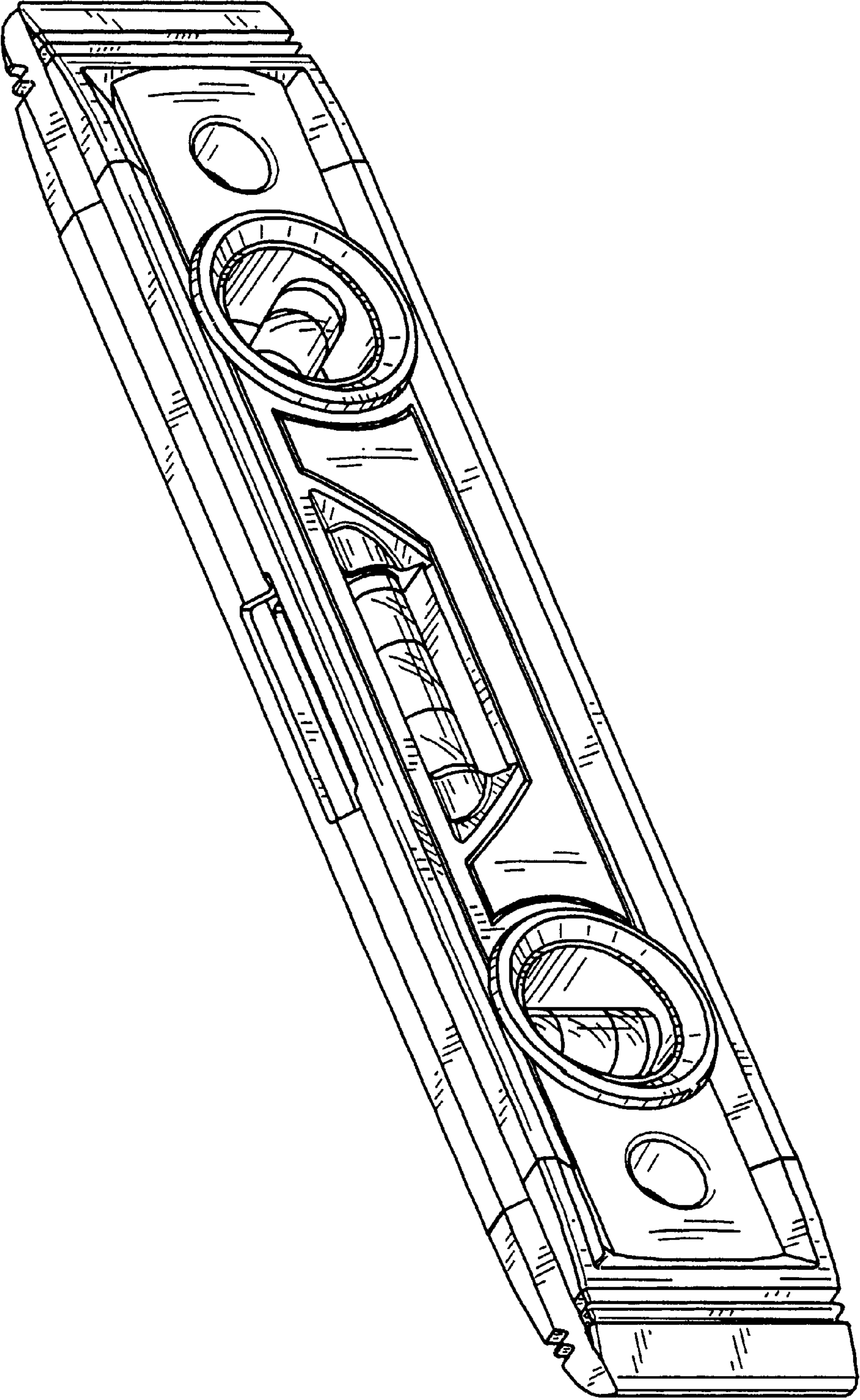


FIG. 1



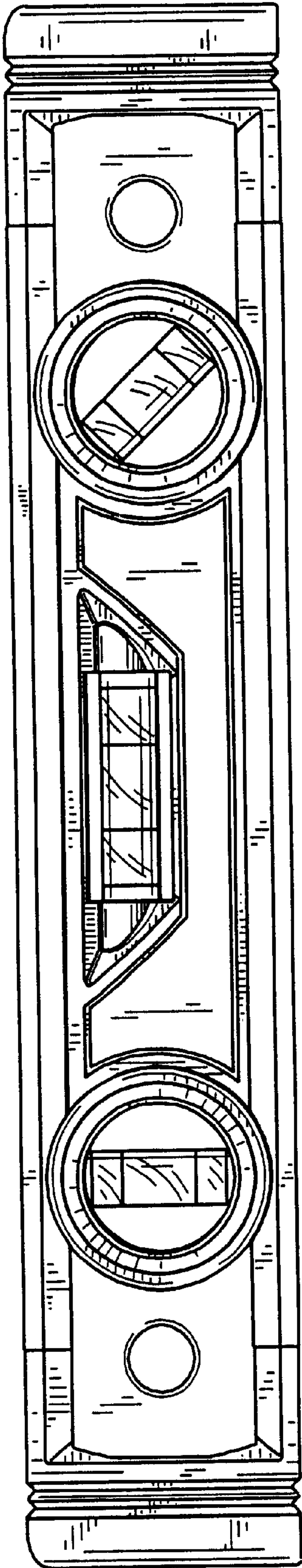


FIG. 2

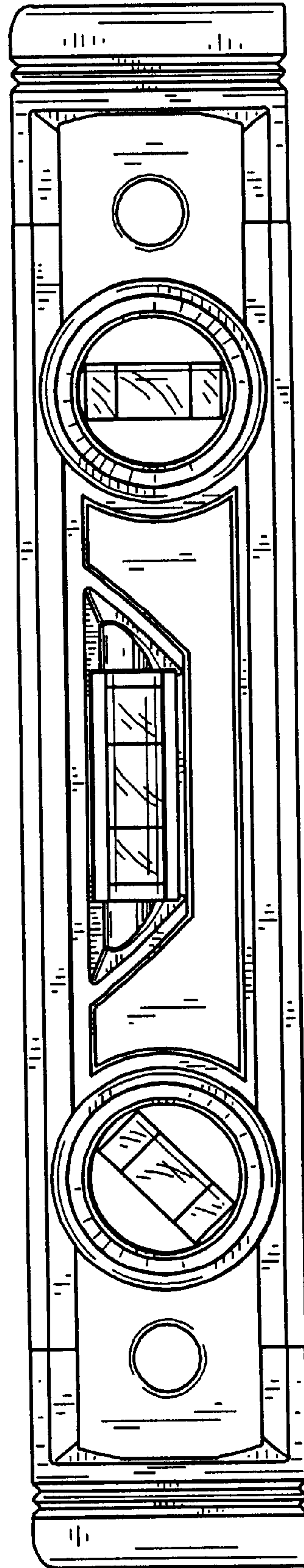


FIG. 3

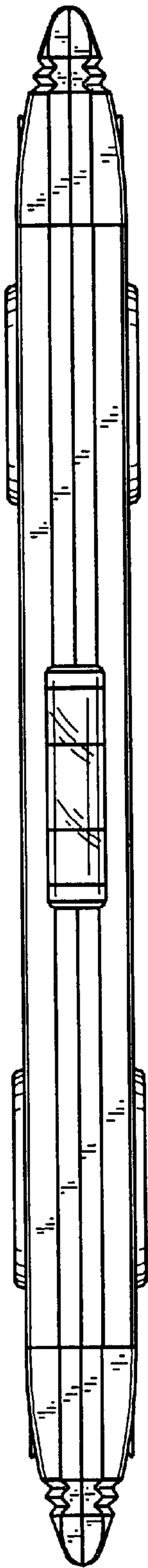


FIG. 4

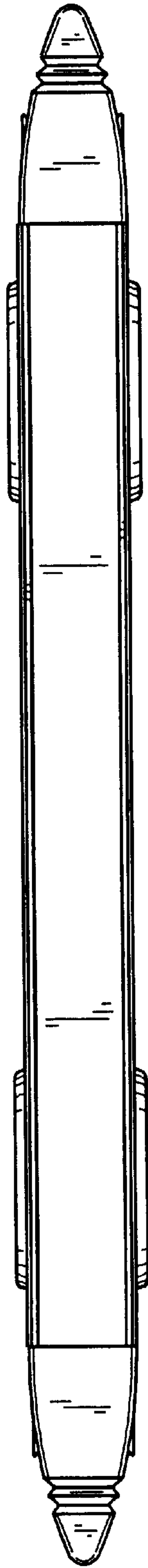


FIG. 5

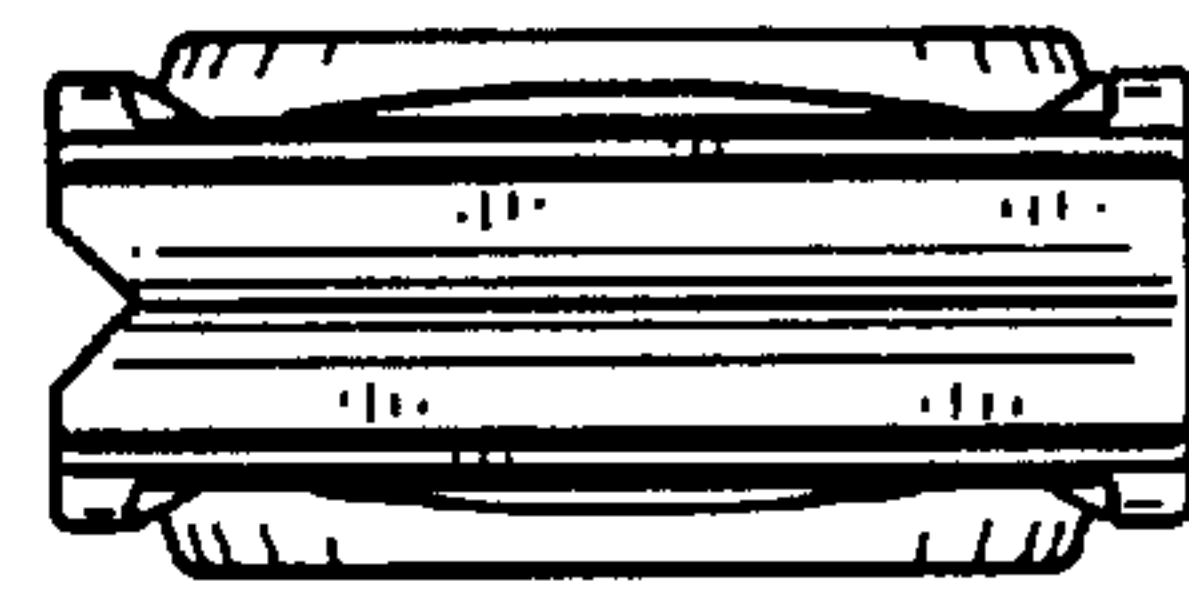


FIG. 6