



US00D521880S

(12) **United States Design Patent**
Drew et al.

(10) **Patent No.:** **US D521,880 S**

(45) **Date of Patent:** **** May 30, 2006**

(54) **COMBINED TIMER AND WEIGHING SCALE**

(75) Inventors: **James Kingsley Drew**, Salses le Chateau (FR); **Robert William Peter Walls**, Salses le Chateau (FR); **Hugo Boris Bernd Volker Hanfried Luchterhand**, New Territories (HK)

(73) Assignee: **Intellectual Property Investment Limited**, Hong Kong (CN)

(**) Term: **14 Years**

(21) Appl. No.: **29/214,986**

(22) Filed: **Oct. 13, 2004**

(51) **LOC (8) Cl.** **10-03**

(52) **U.S. Cl.** **D10/40; D10/88; D10/91**

(58) **Field of Classification Search** D10/87-94, D10/40, 41; 177/25.12-25.18, 238-245, 177/177, 126, DIG. 3; 368/97-100, 107-112, 368/285, 10, 316, 317, 276, 277

See application file for complete search history.

(56) **References Cited**

U.S. PATENT DOCUMENTS

D197,533 S * 2/1964 Rhoades D10/92
4,177,868 A * 12/1979 Sanders et al. 177/211
D276,219 S * 11/1984 Mox D10/40
4,913,248 A * 4/1990 Zakai 177/210 C
D374,185 S * 10/1996 Juteau D10/91
5,761,157 A * 6/1998 Takeda et al. 368/10
D449,242 S * 10/2001 Montagnino et al. D10/92

D498,689 S * 11/2004 Lee D10/91
6,891,779 B1 * 5/2005 Pornel 368/113
2005/0150696 A1 * 7/2005 Zhou 177/25.16

* cited by examiner

Primary Examiner—Lucy Lieberman

(74) *Attorney, Agent, or Firm*—Marshall, Gerstein & Borun LLP

(57) **CLAIM**

The ornamental design for a combined timer and weighing scale, as shown and described.

DESCRIPTION

FIG. 1 is a top plan view of our design of a combined timer and weighing scale;

FIG. 2 is a bottom plan view of the combined timer and weighing scale of FIG. 1;

FIG. 3 is a top perspective view of the combined timer and weighing scale of FIG. 1;

FIG. 4 is a bottom perspective view of the combined timer and weighing scale of FIG. 1;

FIG. 5 is a front end view of the combined timer and weighing scale of FIG. 1;

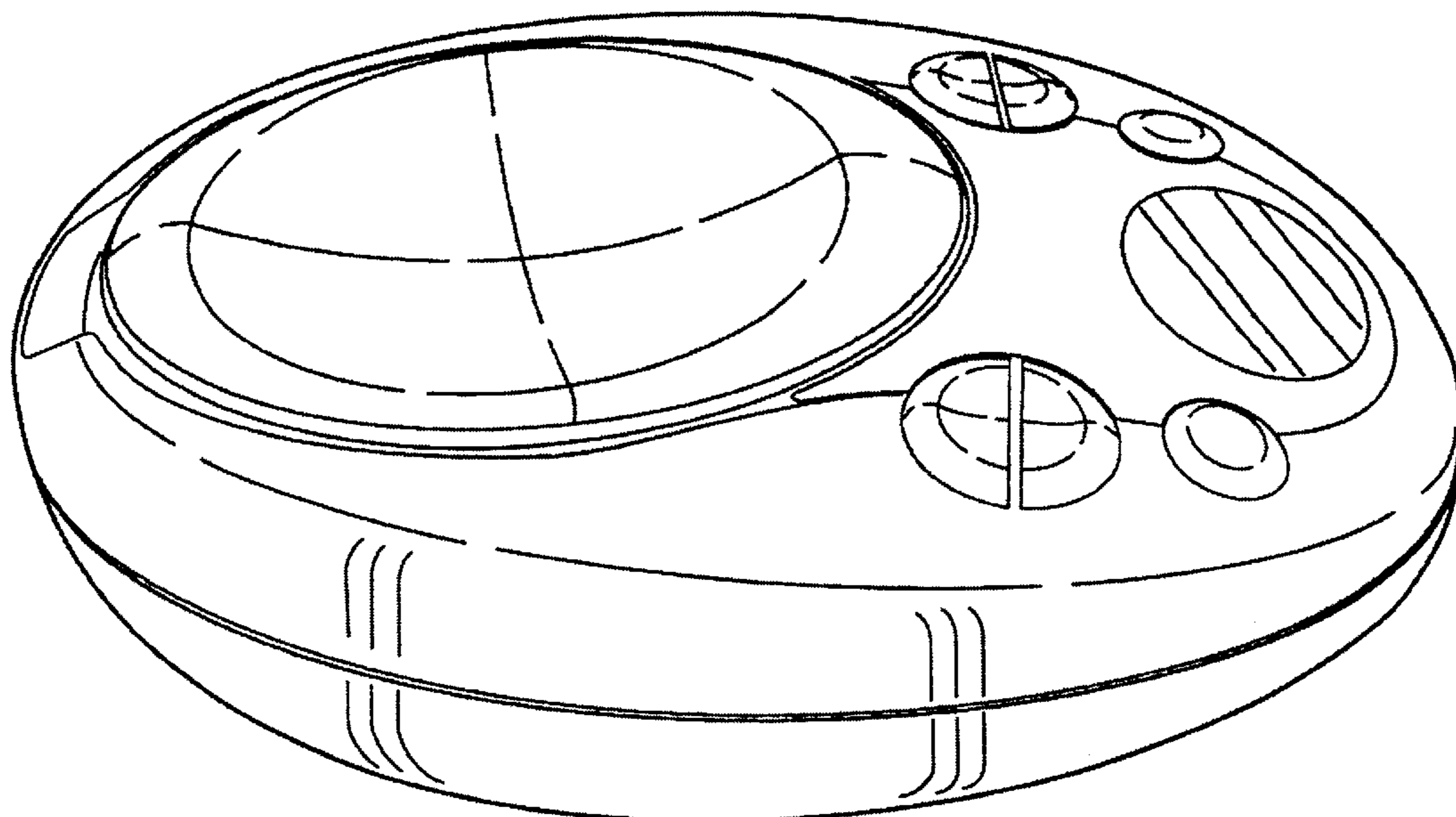
FIG. 6 is a rear end view of the combined timer and weighing scale of FIG. 1;

FIG. 7 is a left side view of the combined timer and weighing scale of FIG. 1; and,

FIG. 8 is a right side view of the combined timer and weighing scale of FIG. 1.

The views in the drawings are shown on different scales.

1 Claim, 6 Drawing Sheets



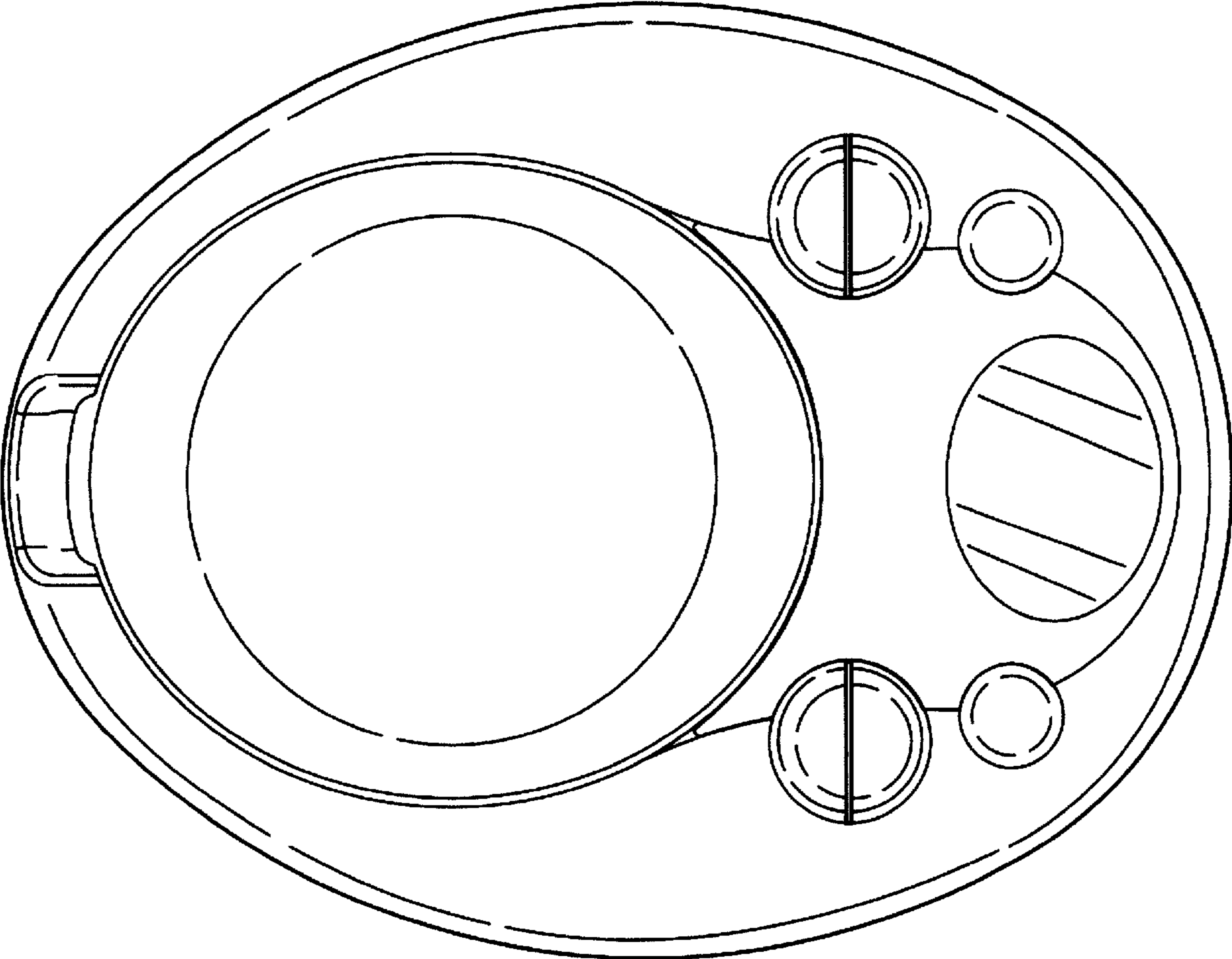


FIG. 1

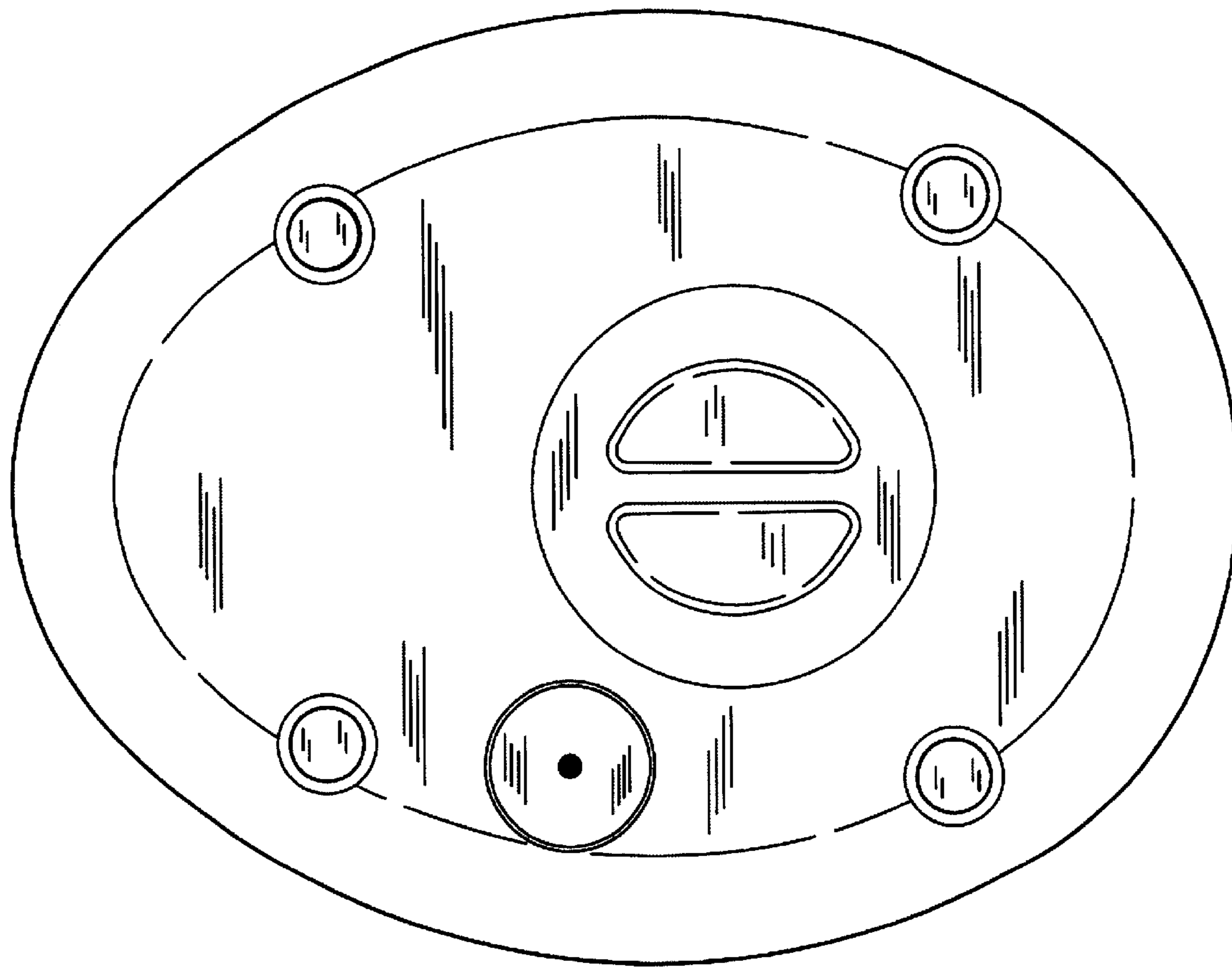


FIG. 2

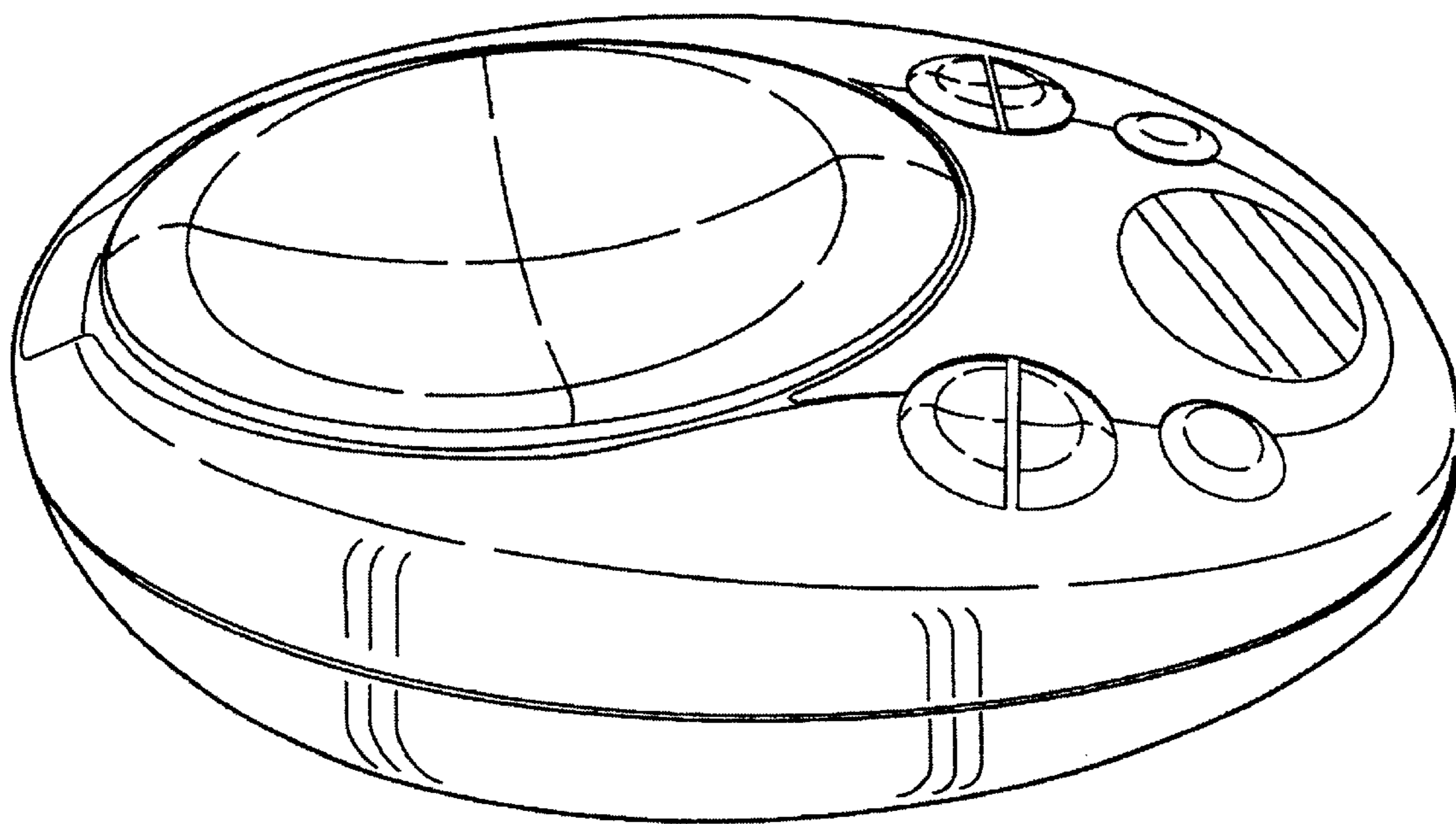


FIG. 3

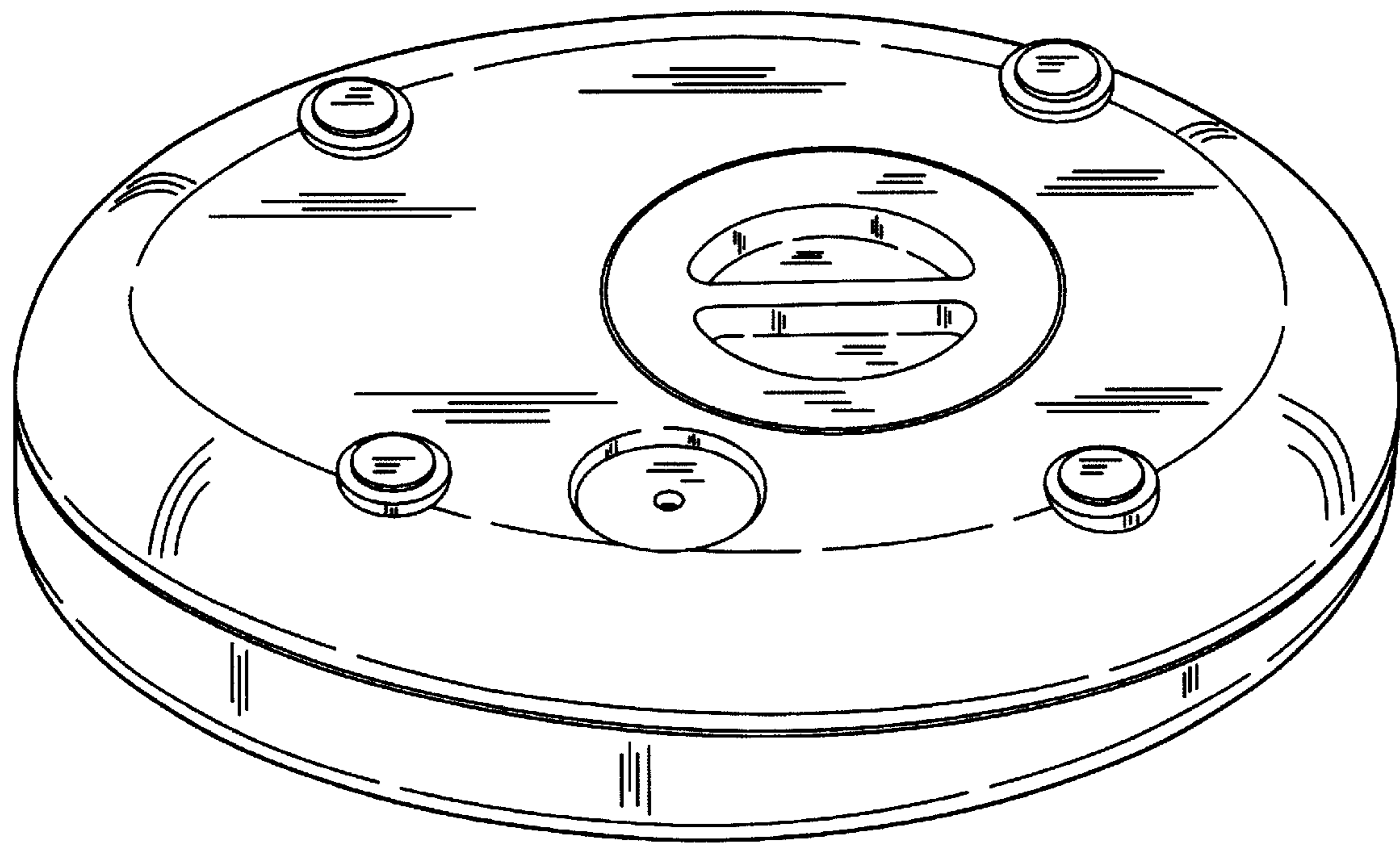


FIG. 4

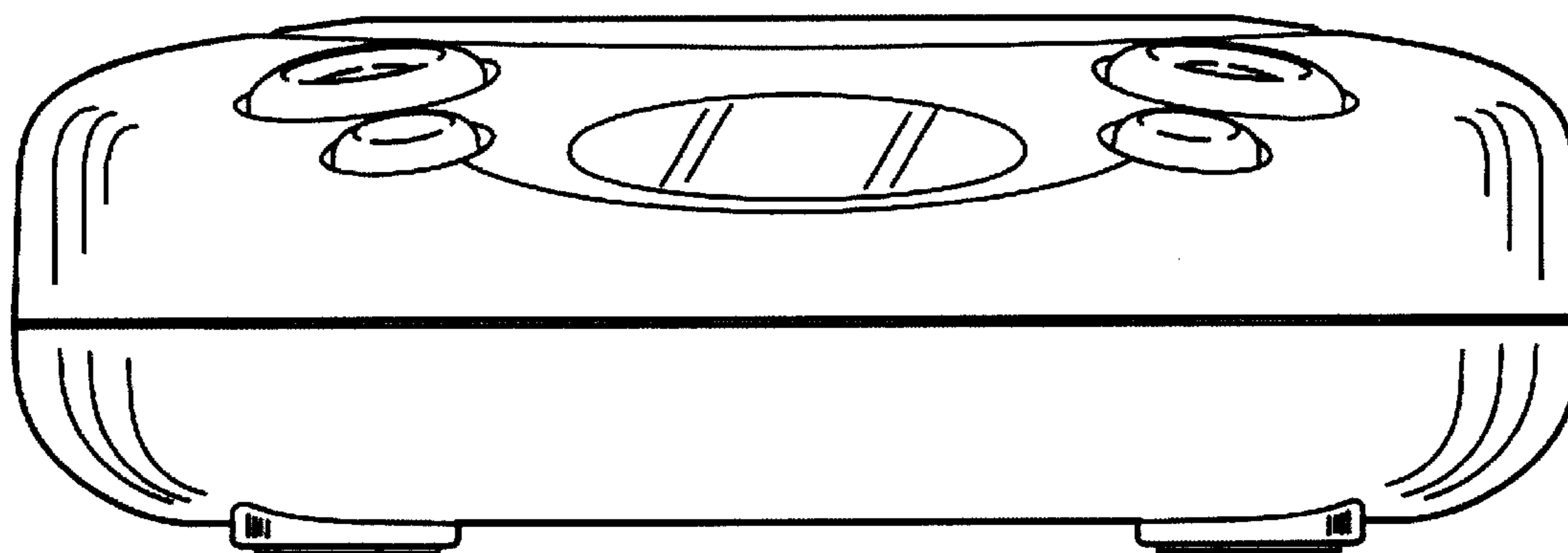


FIG. 5

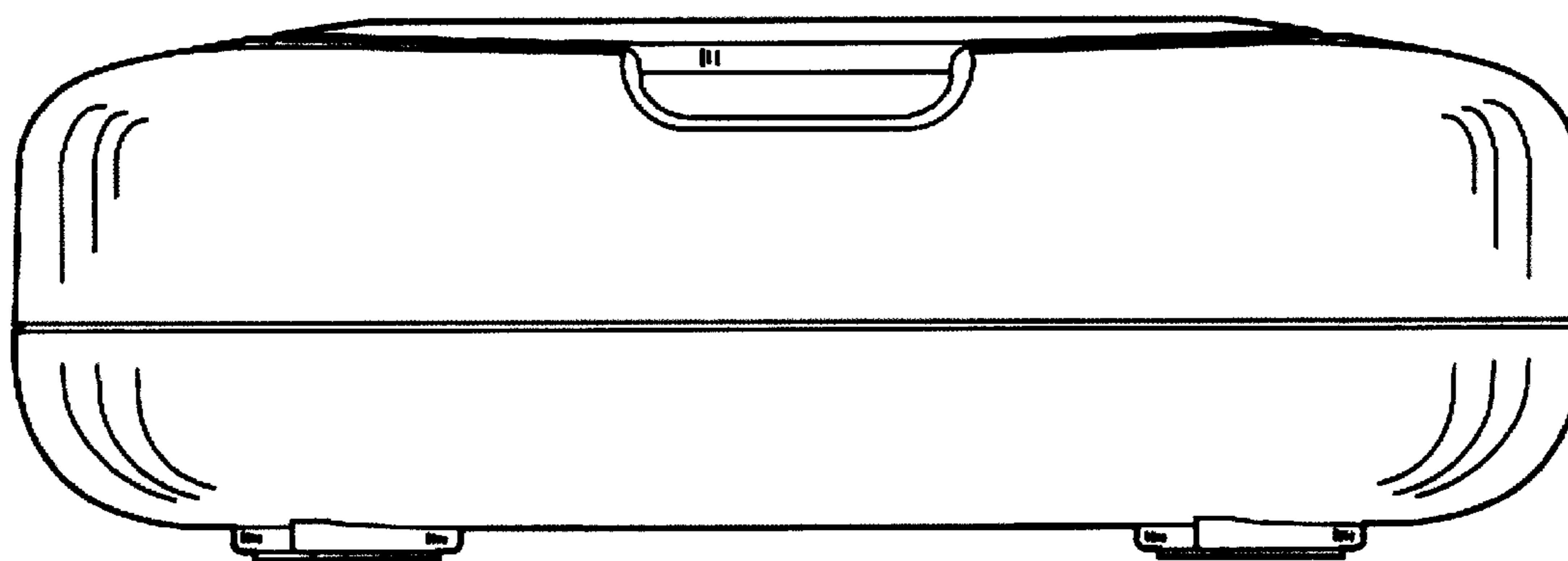


FIG. 6

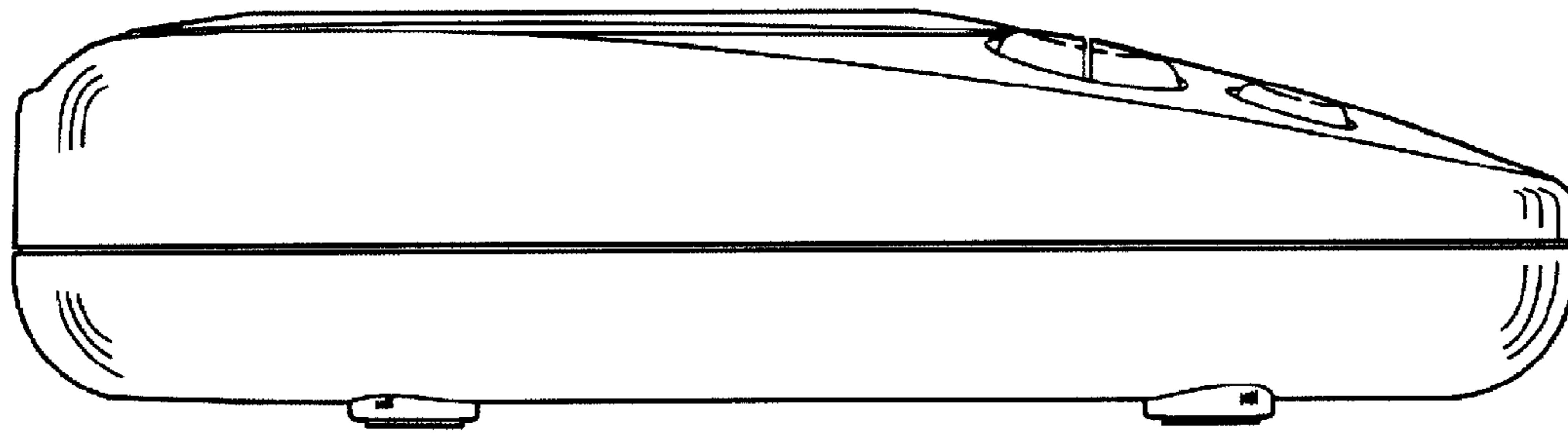


FIG. 7

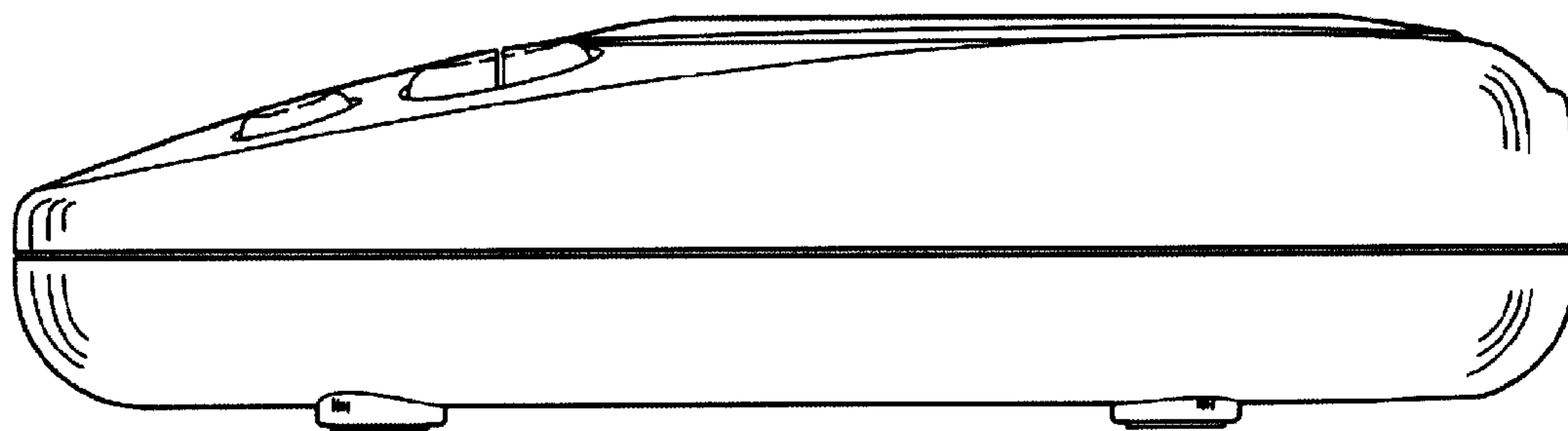


FIG. 8