

US00D521870S

(12) **United States Design Patent**  
**Miller et al.**

(10) **Patent No.:** **US D521,870 S**

(45) **Date of Patent:** **\*\* May 30, 2006**

(54) **PLASTIC CONTAINER**

(75) Inventors: **James J. Miller**, Barberton, OH (US);  
**Gary Ferguson**, Tallmadge, OH (US)

(73) Assignee: **Plasticpak Packaging, Inc.**, Plymouth,  
MI (US)

(\*\*) Term: **14 Years**

(21) Appl. No.: **29/237,803**

(22) Filed: **Sep. 6, 2005**

(51) **LOC (8) Cl.** ..... **09-01**

(52) **U.S. Cl.** ..... **D9/528; D9/563**

(58) **Field of Classification Search** ..... D9/516,  
D9/523, 524, 526-531, 543, 563, 572, 574;  
D7/300, 306, 319, 321, 322; 215/1 A, 1 C,  
215/1 R, 382-385, 396.398; 220/771, 772;  
222/454, 475; 206/527, 822

See application file for complete search history.

(56) **References Cited**

**U.S. PATENT DOCUMENTS**

D209,176 S	*	11/1967	Neubauer	.....	D9/528
D228,230 S	*	8/1973	Cutler	.....	D9/528
D229,483 S	*	12/1973	Cutler	.....	D9/528
D248,830 S	*	8/1978	Anderson	.....	D9/523
D248,831 S	*	8/1978	Anderson	.....	D9/528
D274,223 S	*	6/1984	Turnbull	.....	D9/523

D279,078 S	*	6/1985	Franchi et al.	.....	D9/528
D302,523 S	*	8/1989	Suhajda	.....	D9/528
D312,210 S	*	11/1990	Myerson et al.	.....	D9/528
D363,019 S	*	10/1995	Arnold et al.	.....	D9/528
D377,604 S	*	1/1997	Salmon et al.	.....	D9/528
D431,472 S	*	10/2000	Cain et al.	.....	D9/524

\* cited by examiner

*Primary Examiner*—Nanda Bondade

*Assistant Examiner*—Shanda C. Hill

(74) *Attorney, Agent, or Firm*—Robert H. Bachman

(57) **CLAIM**

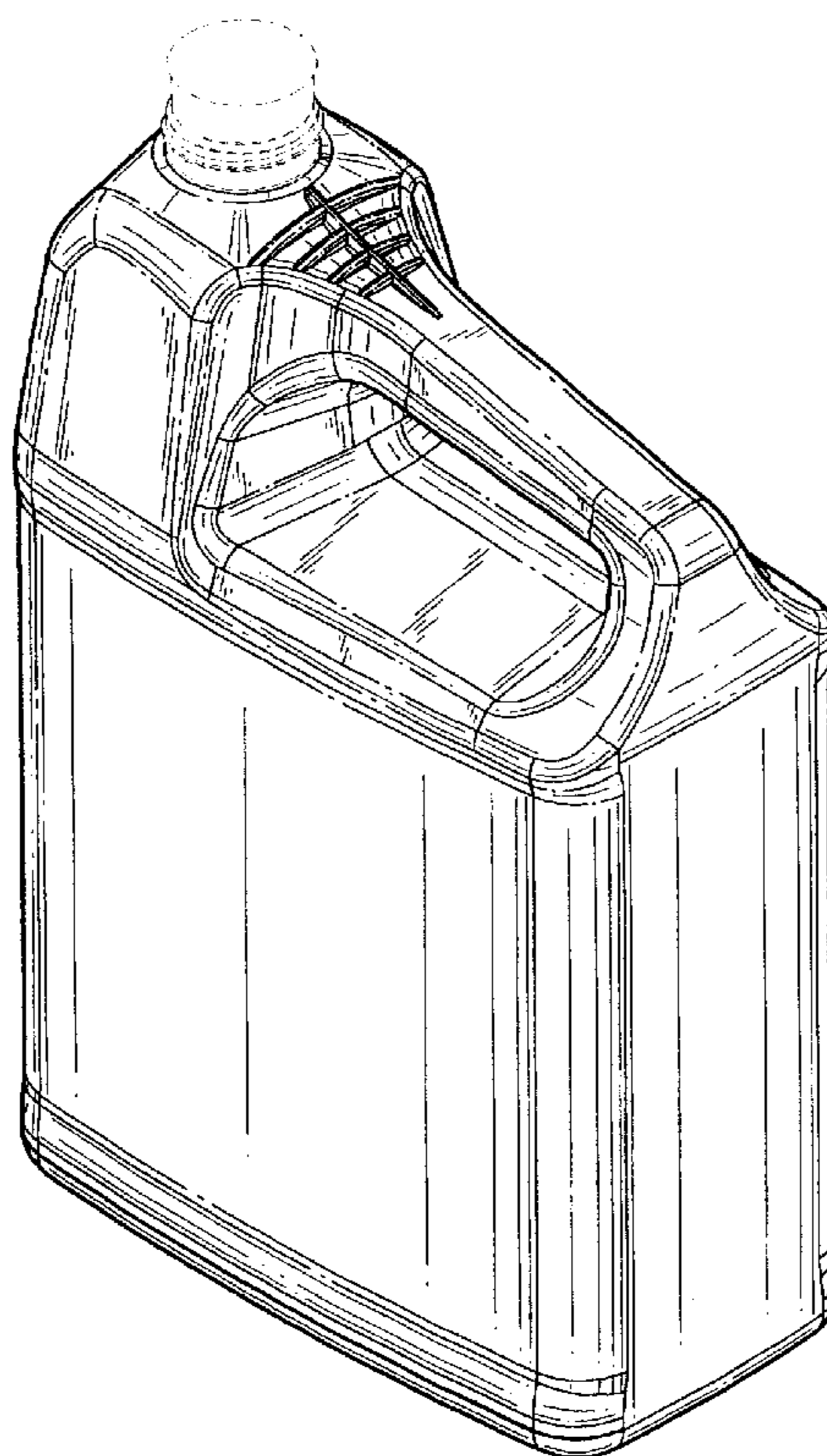
The ornamental design for a plastic container, as shown and described.

**DESCRIPTION**

FIG. 1 is a top, right, rear perspective view of a plastic container showing our new design;  
FIG. 2 is a top, right, front perspective view thereof;  
FIG. 3 is a front elevational view thereof;  
FIG. 4 is a rear elevational view thereof;  
FIG. 5 is a top plan view thereof;  
FIG. 6 is a bottom plan view thereof;  
FIG. 7 is a right side elevational view thereof; and,  
FIG. 8 is a left side elevational view thereof.

The broken lines shown in the drawing disclosure are for illustrative purposes only and form no part of the claimed design.

**1 Claim, 3 Drawing Sheets**



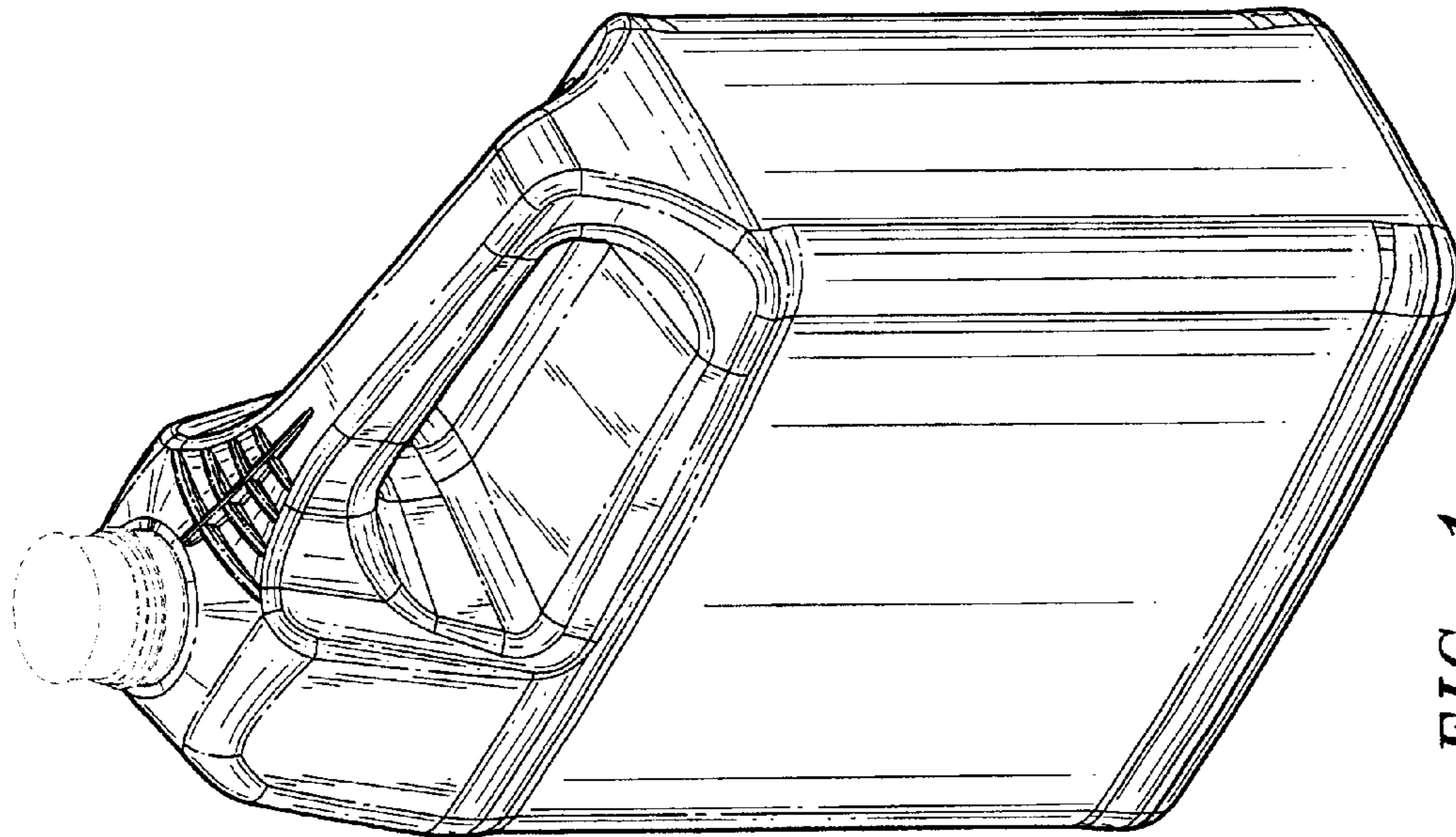


FIG. 1

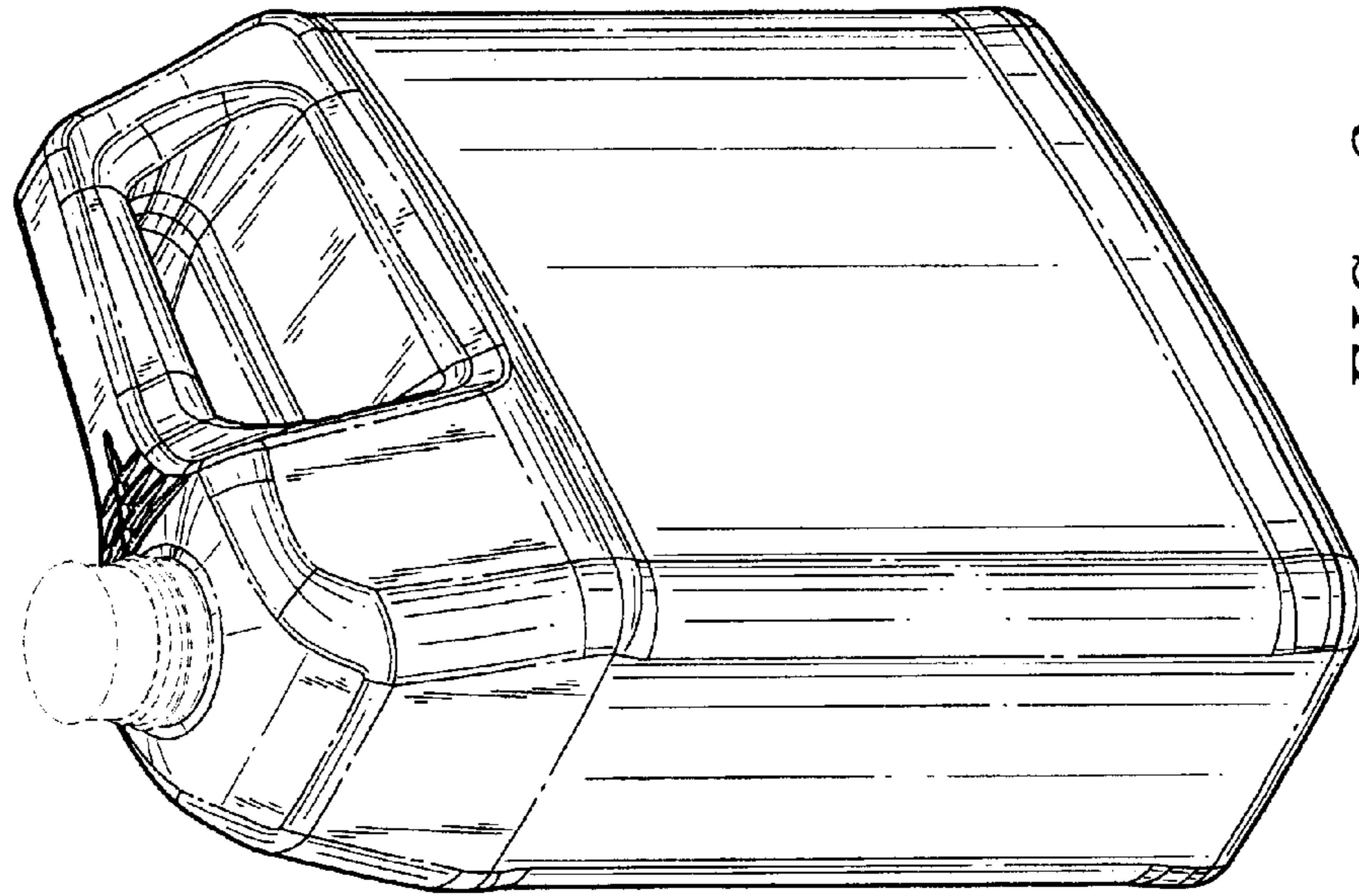


FIG. 2

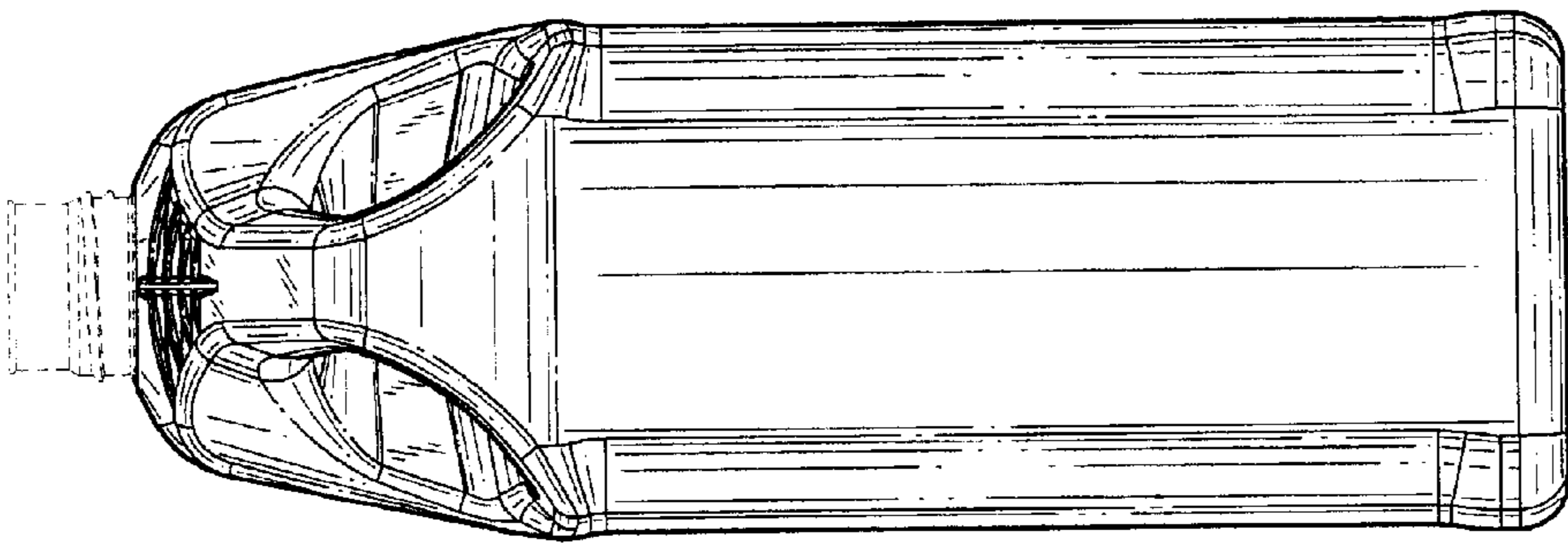


FIG. 3

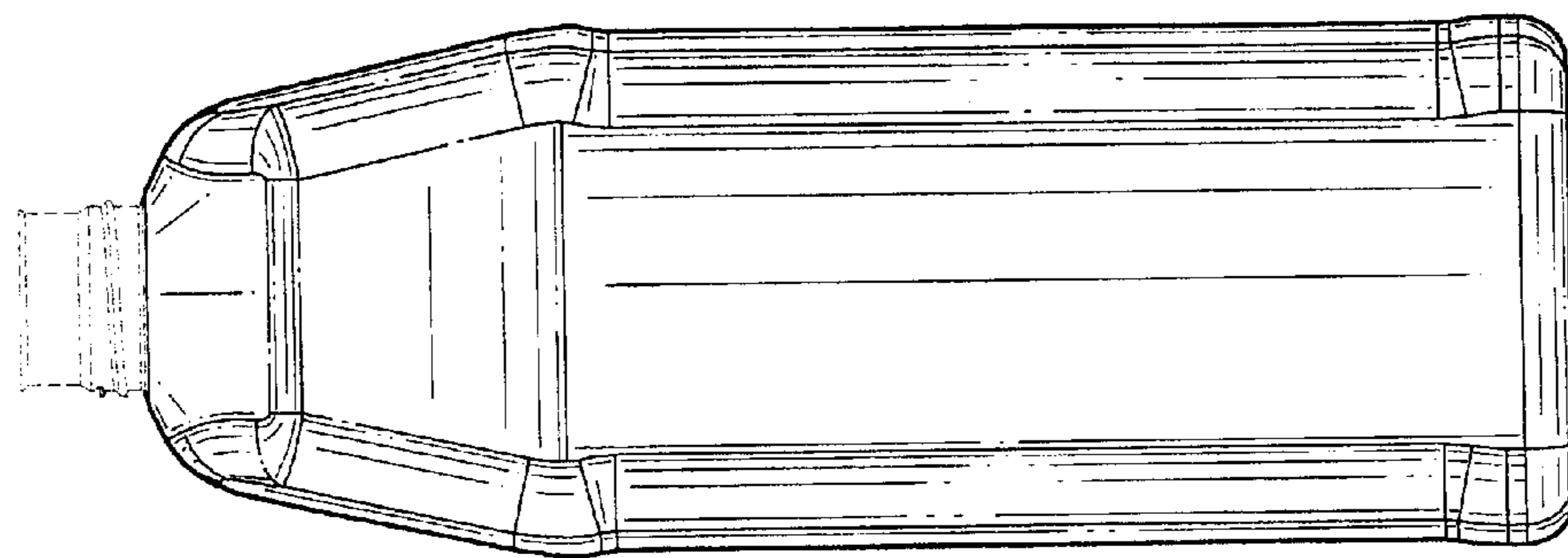


FIG. 4

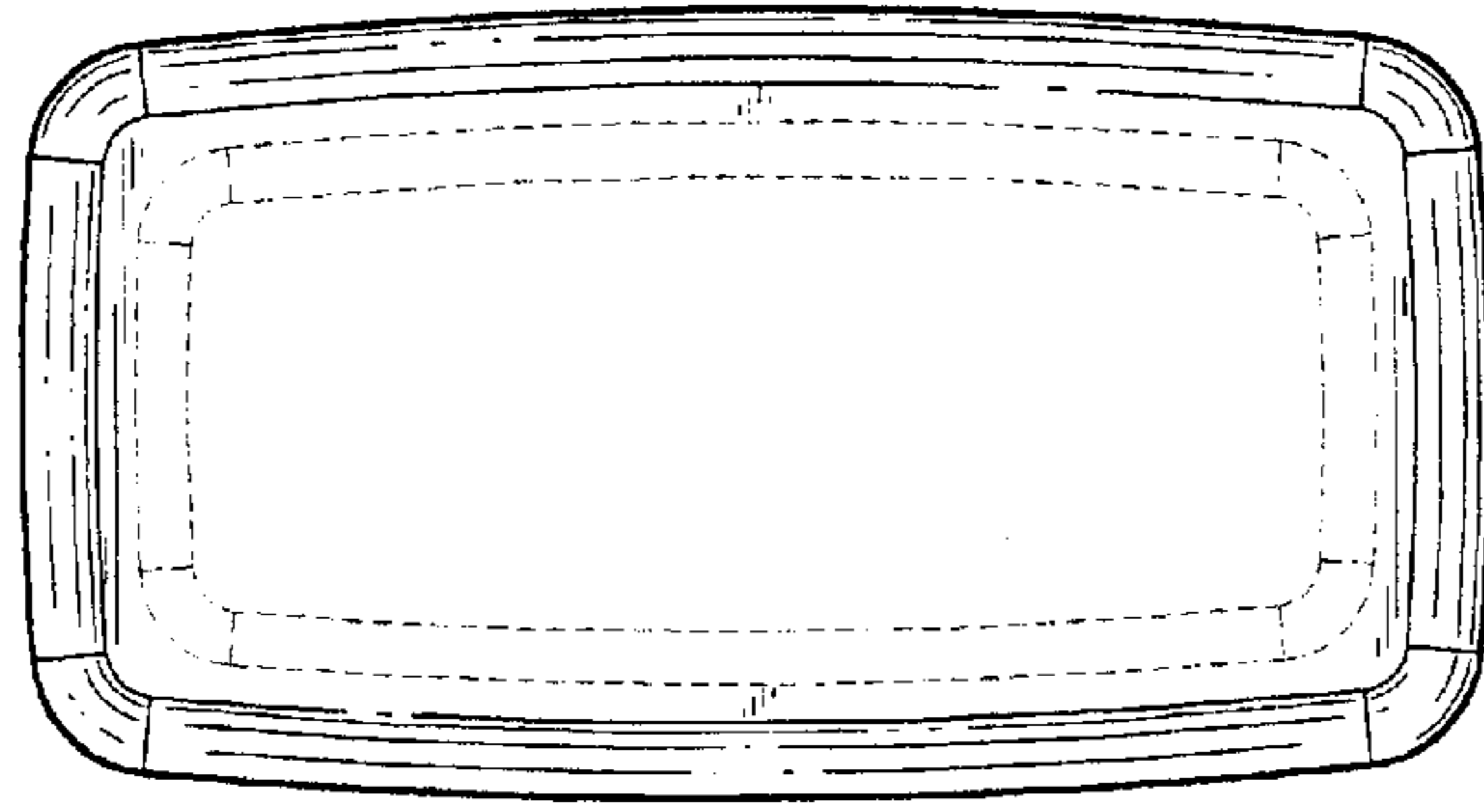


FIG. 5

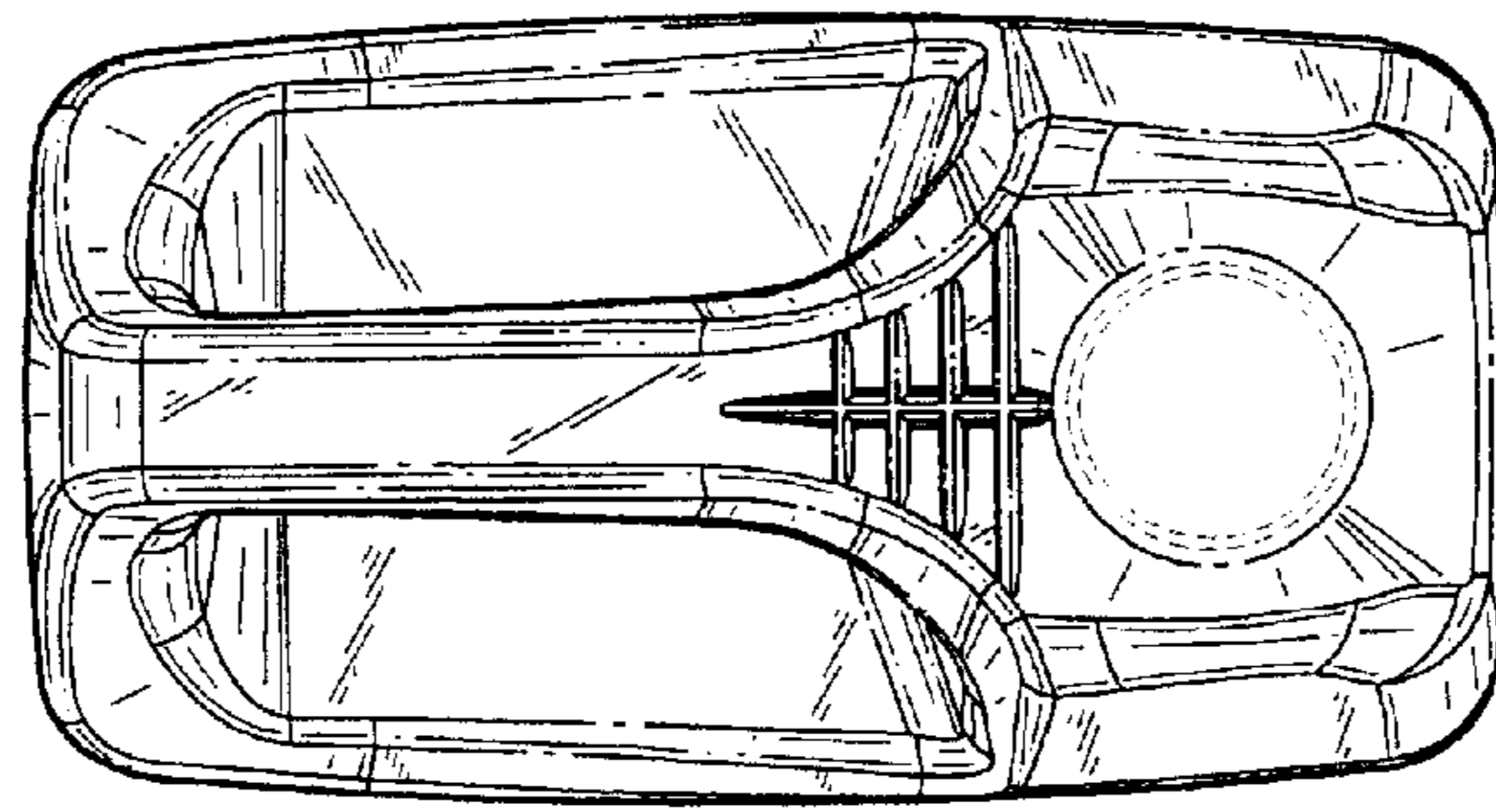


FIG. 6

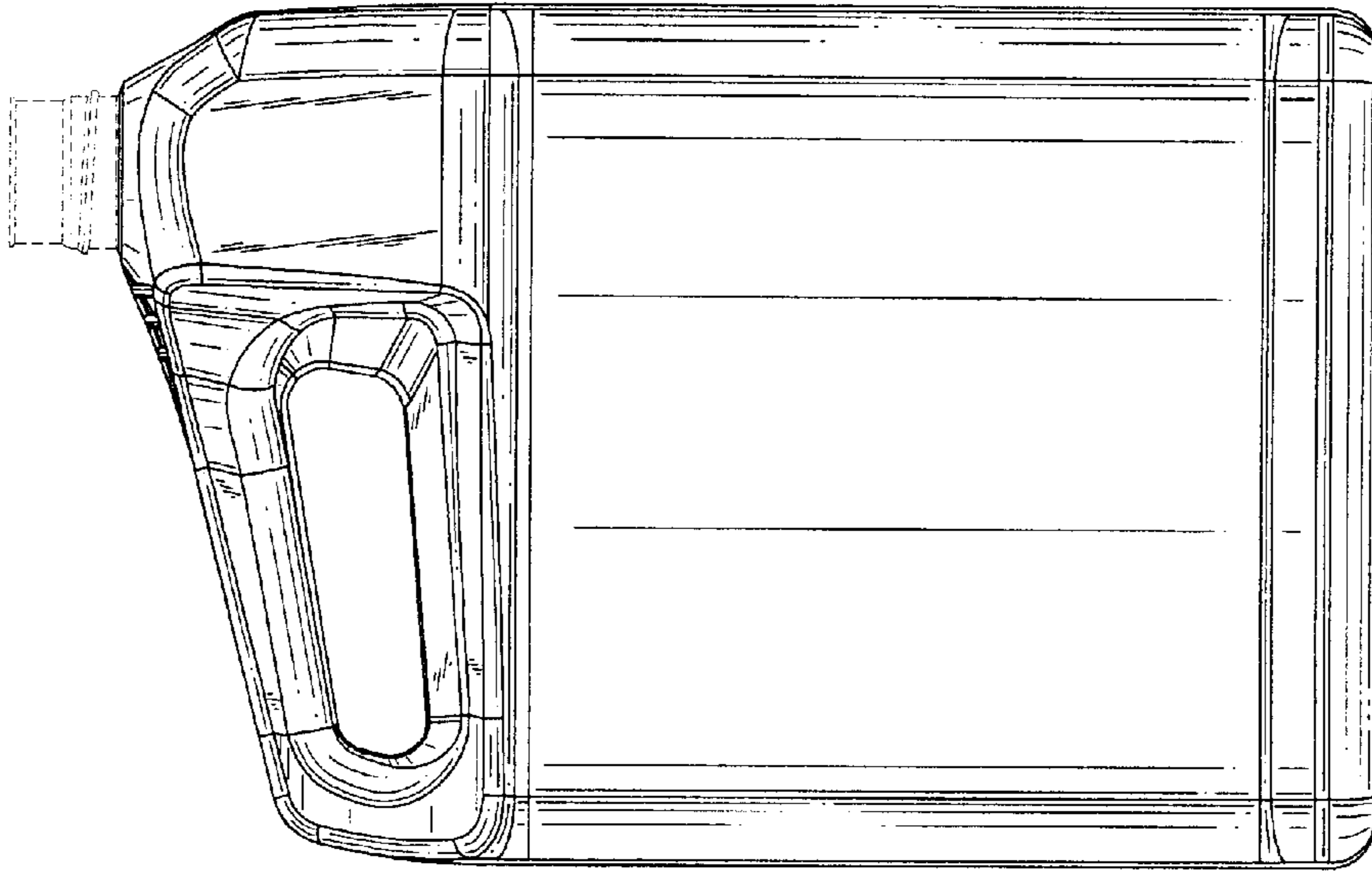


FIG. 7

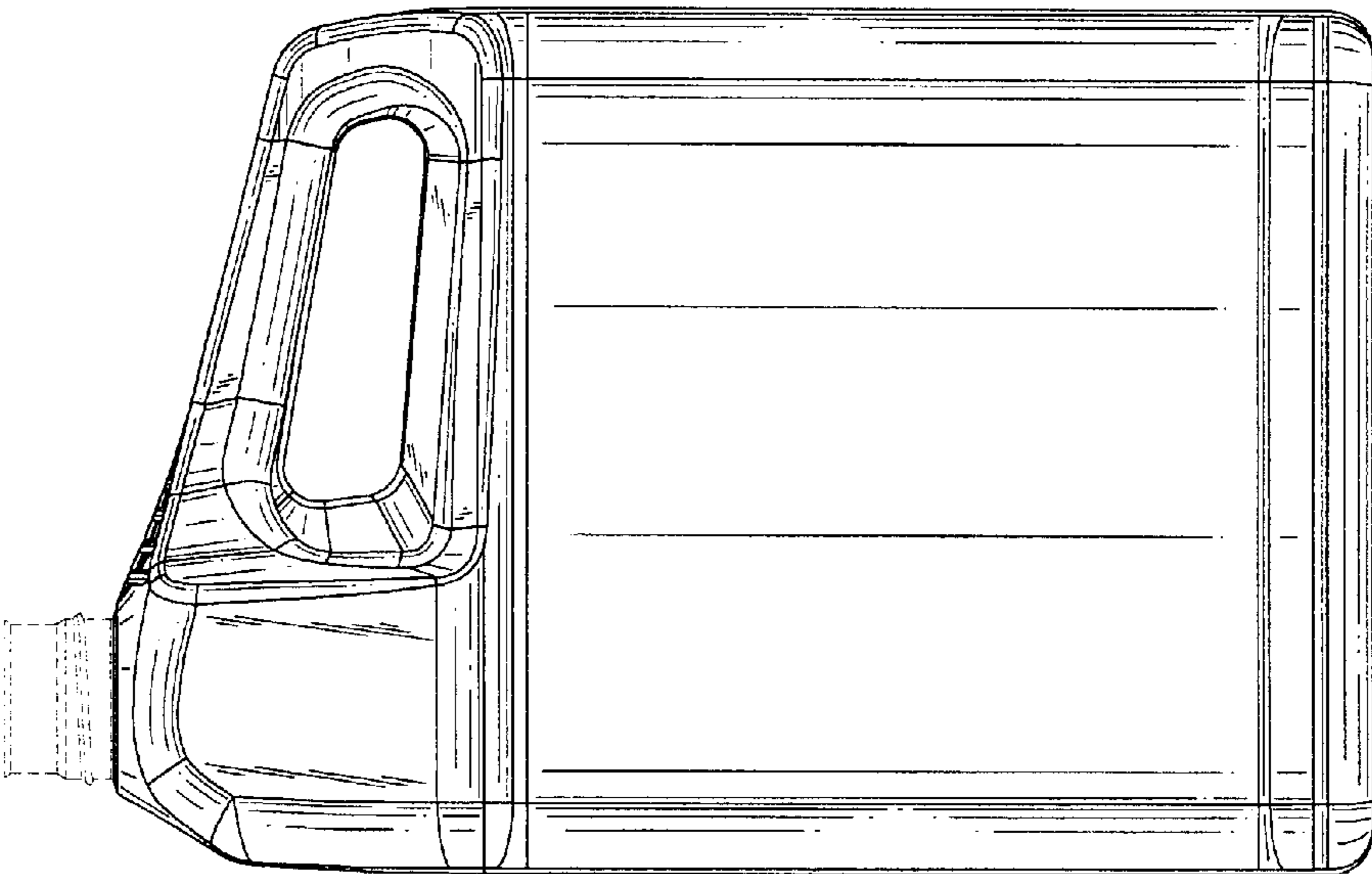


FIG. 8

UNITED STATES PATENT AND TRADEMARK OFFICE  
**CERTIFICATE OF CORRECTION**

PATENT NO. : Des. 521,870 S  
APPLICATION NO. : 29/237803  
DATED : May 30, 2006  
INVENTOR(S) : James J. Miller and Gary Ferguson

Page 1 of 1

It is certified that error appears in the above-identified patent and that said Letters Patent is hereby corrected as shown below:

Title page, item [73]  
The name of the Assignee is Plastipak Packaging, Inc.

Signed and Sealed this

Third Day of March, 2009



JOHN DOLL  
*Acting Director of the United States Patent and Trademark Office*