



US00D521864S

(12) **United States Design Patent**
Cartoni

(10) **Patent No.:** **US D521,864 S**

(45) **Date of Patent:** **** May 30, 2006**

(54) **SPRAYING DEVICE FOR BOTTLES**

(75) **Inventor:** **Raffaello Cartoni, Pavia (IT)**

(73) **Assignee:** **Spray Plast S.p.A. (IT)**

(**) **Term:** **14 Years**

(21) **Appl. No.:** **29/205,742**

(22) **Filed:** **May 20, 2004**

(30) **Foreign Application Priority Data**

Dec. 4, 2003 (EP) 000110614

(51) **LOC (8) Cl.** **09-07**

(52) **U.S. Cl.** **D9/448**

(58) **Field of Classification Search** D9/685,
D9/682, 448, 447, 434, 663, 423; D23/229,
D23/227, 226, 223, 213; 239/448, 331, 332;
222/385, 383.3, 383.2, 323, 383.1, 324, 304,
222/1, 153.11-153.14, 153.06, 333

See application file for complete search history.

(56) **References Cited**

U.S. PATENT DOCUMENTS

- D243,180 S * 1/1977 Federico et al. D23/226
- 4,361,256 A * 11/1982 Corsette 222/383.1
- D314,916 S * 2/1991 Brooks D9/448
- D331,365 S * 12/1992 Davis D9/447
- D337,945 S * 8/1993 Warner D9/448
- D342,898 S * 1/1994 Cane D9/447
- D343,577 S * 1/1994 Proctor D9/448
- D366,692 S * 1/1996 Wadsworth D23/213
- D377,602 S * 1/1997 Wadsworth D9/448
- 5,706,984 A * 1/1998 Tada et al. 222/383.1
- D394,008 S * 5/1998 Foster et al. D9/448
- D400,102 S * 10/1998 Tada D9/448
- D409,487 S 5/1999 Wadsworth et al.

- D409,905 S * 5/1999 Nakano D9/663
- D409,907 S * 5/1999 Poppe D9/423
- D409,918 S * 5/1999 Wadsworth et al. D9/448
- D419,875 S * 2/2000 Wadsworth et al. D9/448
- D421,388 S * 3/2000 Cummings D9/448
- D424,939 S * 5/2000 Fan et al. D9/448
- D433,943 S * 11/2000 Keung et al. D9/448
- 6,332,562 B1 * 12/2001 Sweeton 222/383.1
- D454,306 S * 3/2002 Sweeton et al. D9/448
- D454,787 S * 3/2002 Cummings D9/448
- D456,262 S * 4/2002 Cummings D9/448
- D499,024 S * 11/2004 Sweeton D9/448

FOREIGN PATENT DOCUMENTS

FR 539024-539033 5/1999

* cited by examiner

Primary Examiner—Robert M. Spear

Assistant Examiner—Susan Bennett Hattan

(74) *Attorney, Agent, or Firm*—Banner & Witcoff, Ltd.

(57) **CLAIM**

The ornamental design of a spraying device for bottles, as shown and described.

DESCRIPTION

FIG. 1 is a left side view of a spraying device for bottles showing my new design, the right side view being a mirror image thereof;

FIG. 2 is a top plan view thereof;

FIG. 3 is a front view thereof;

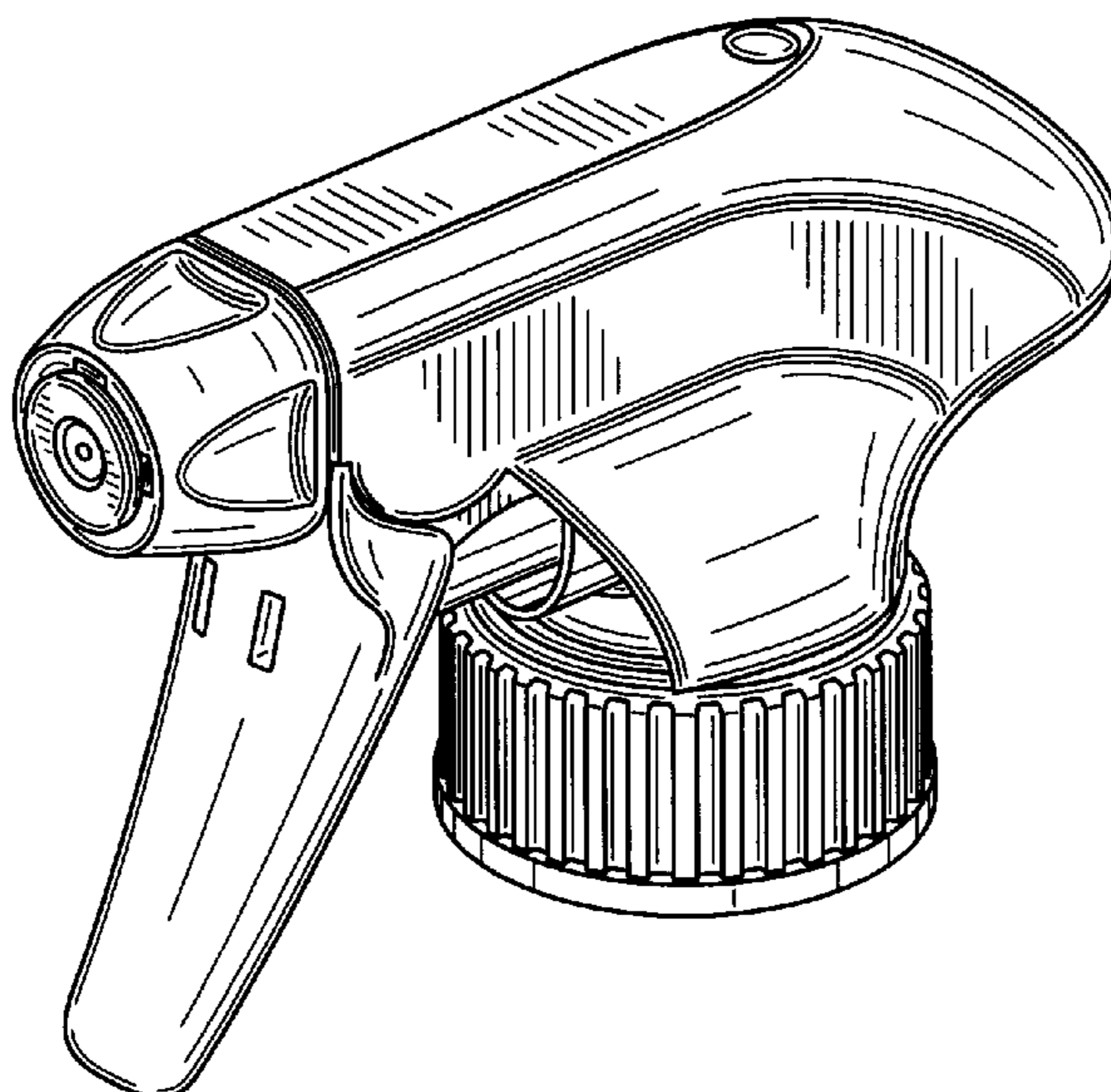
FIG. 4 is a rear view thereof;

FIG. 5 is a front perspective view thereof; and,

FIG. 6 is a rear perspective view thereof.

The unshown underside of the spray bottle forms no part of the claimed design.

1 Claim, 3 Drawing Sheets



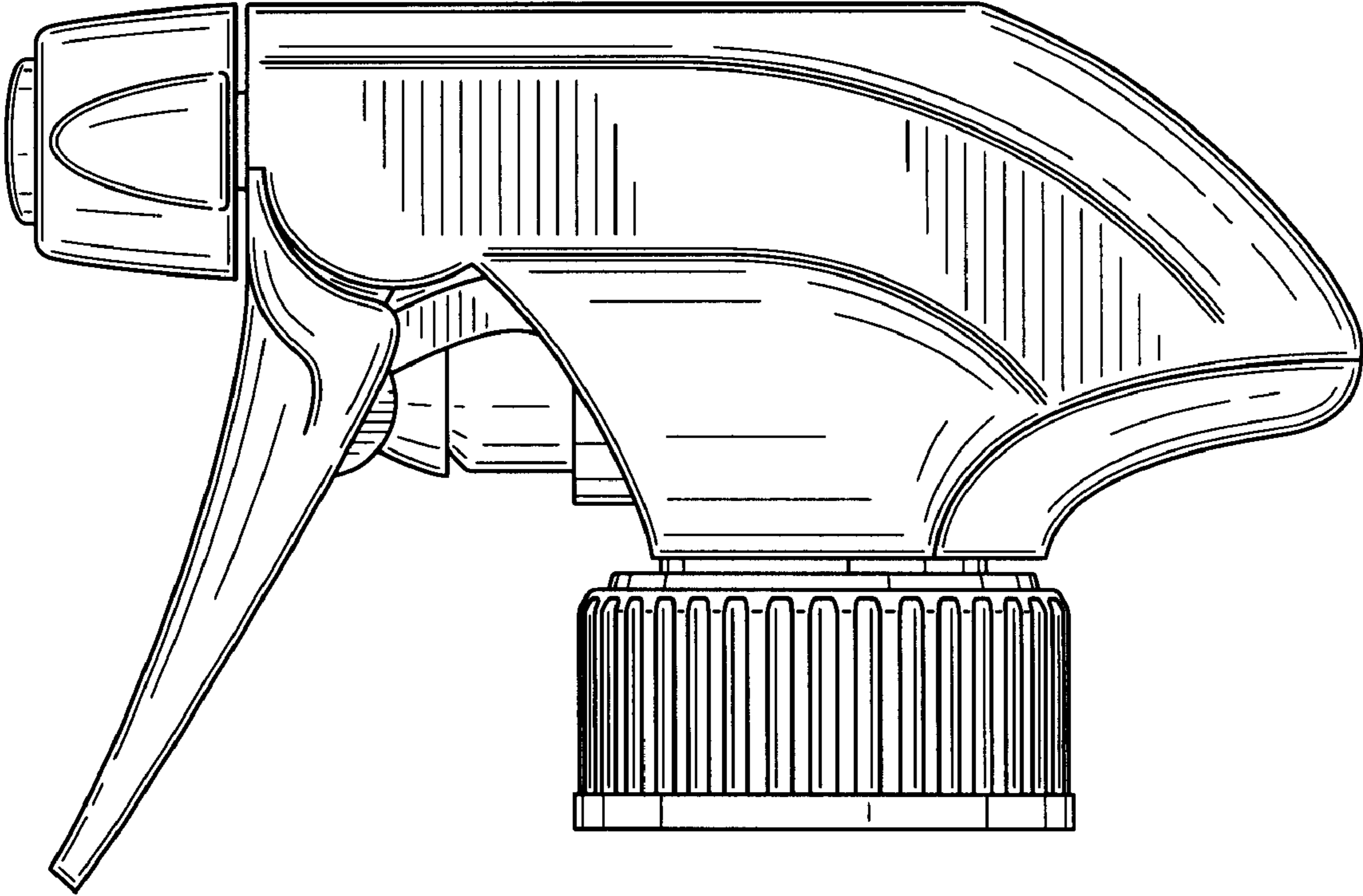


FIG. 1

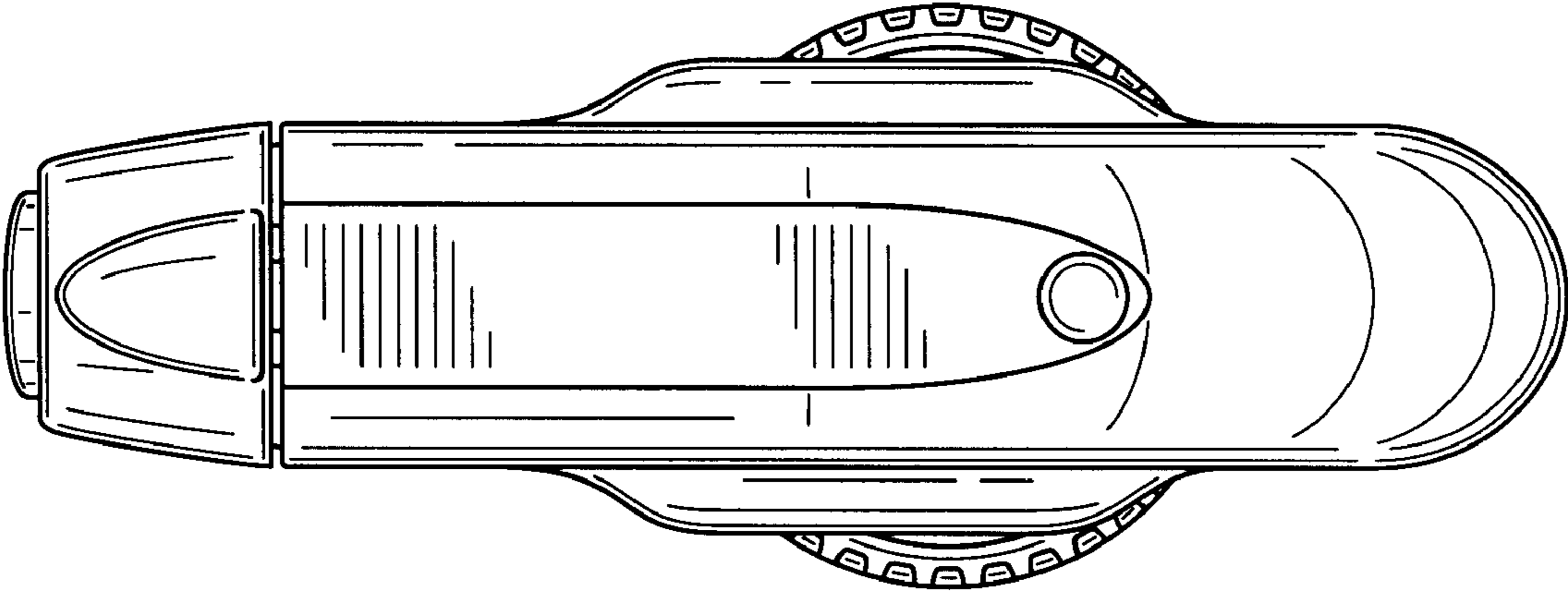


FIG. 2

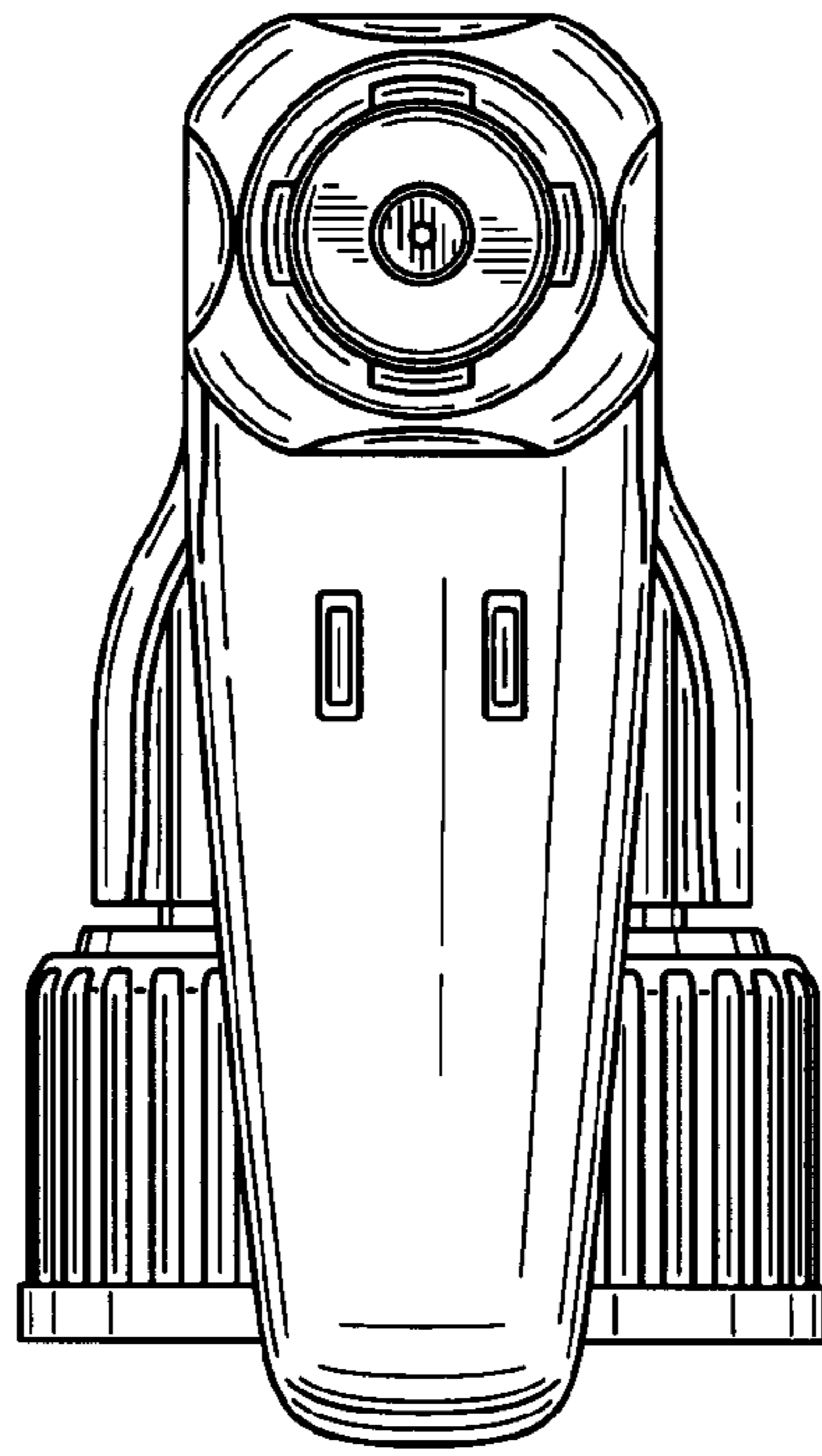


FIG. 3

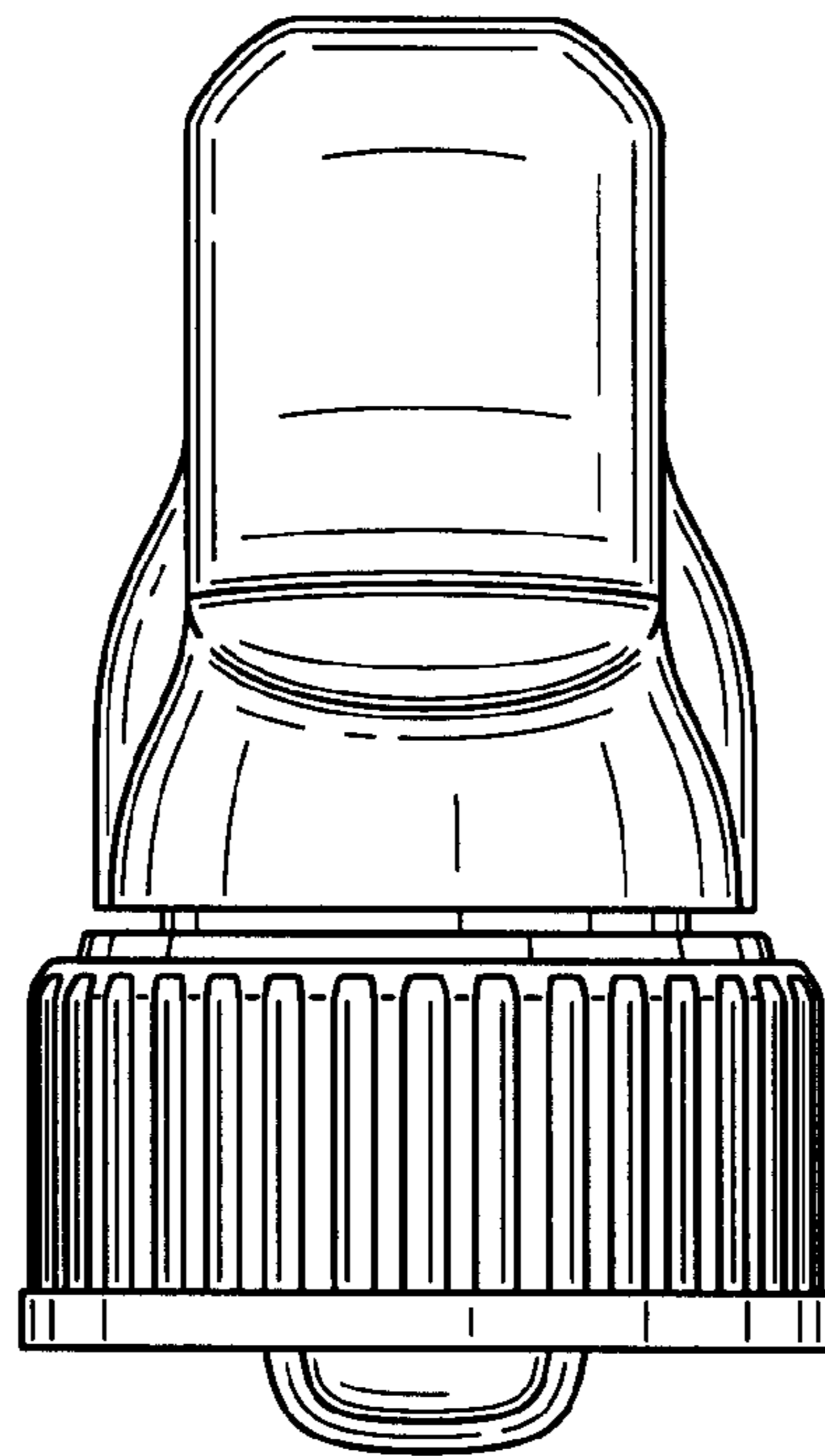


FIG. 4

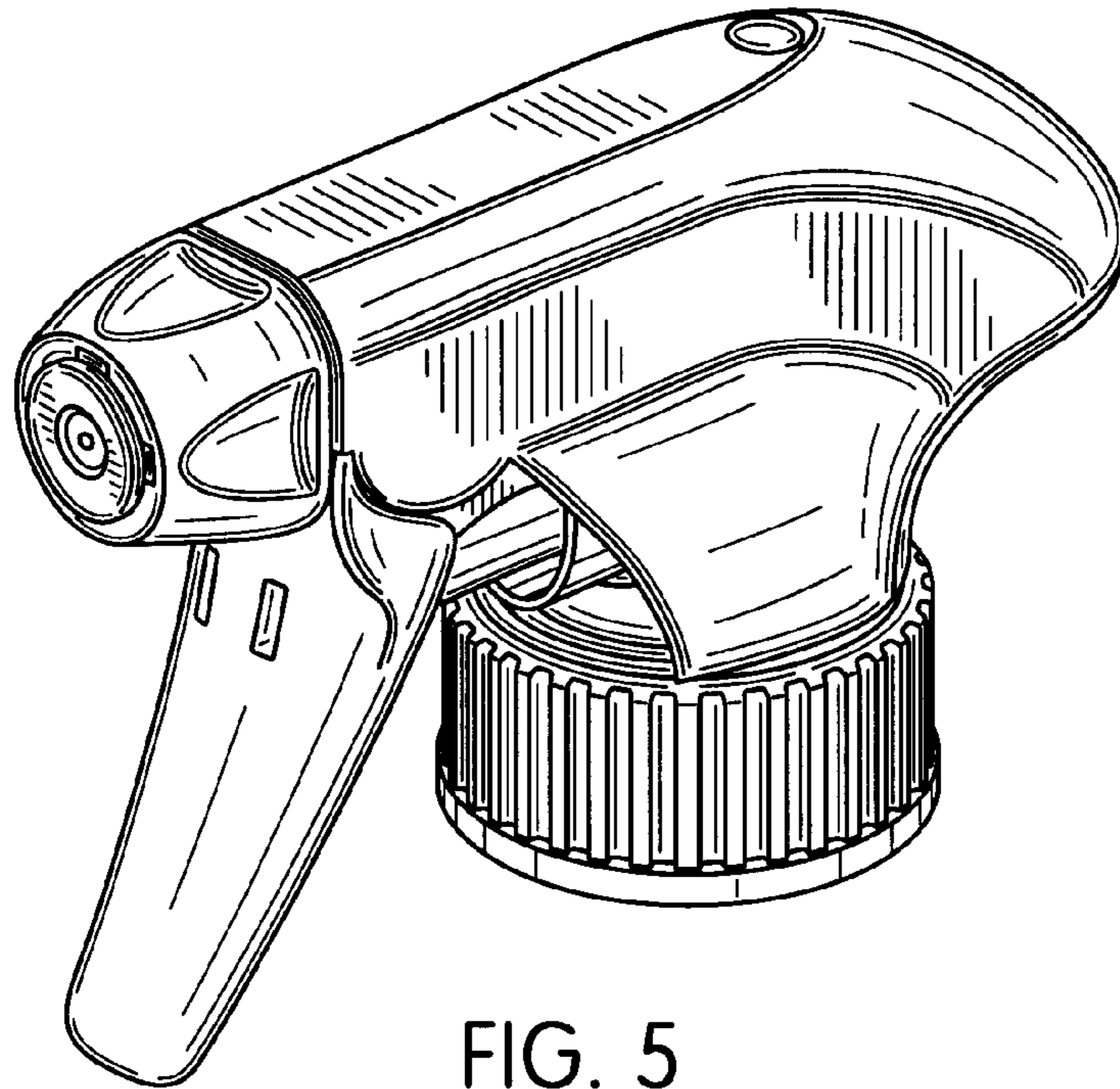


FIG. 5

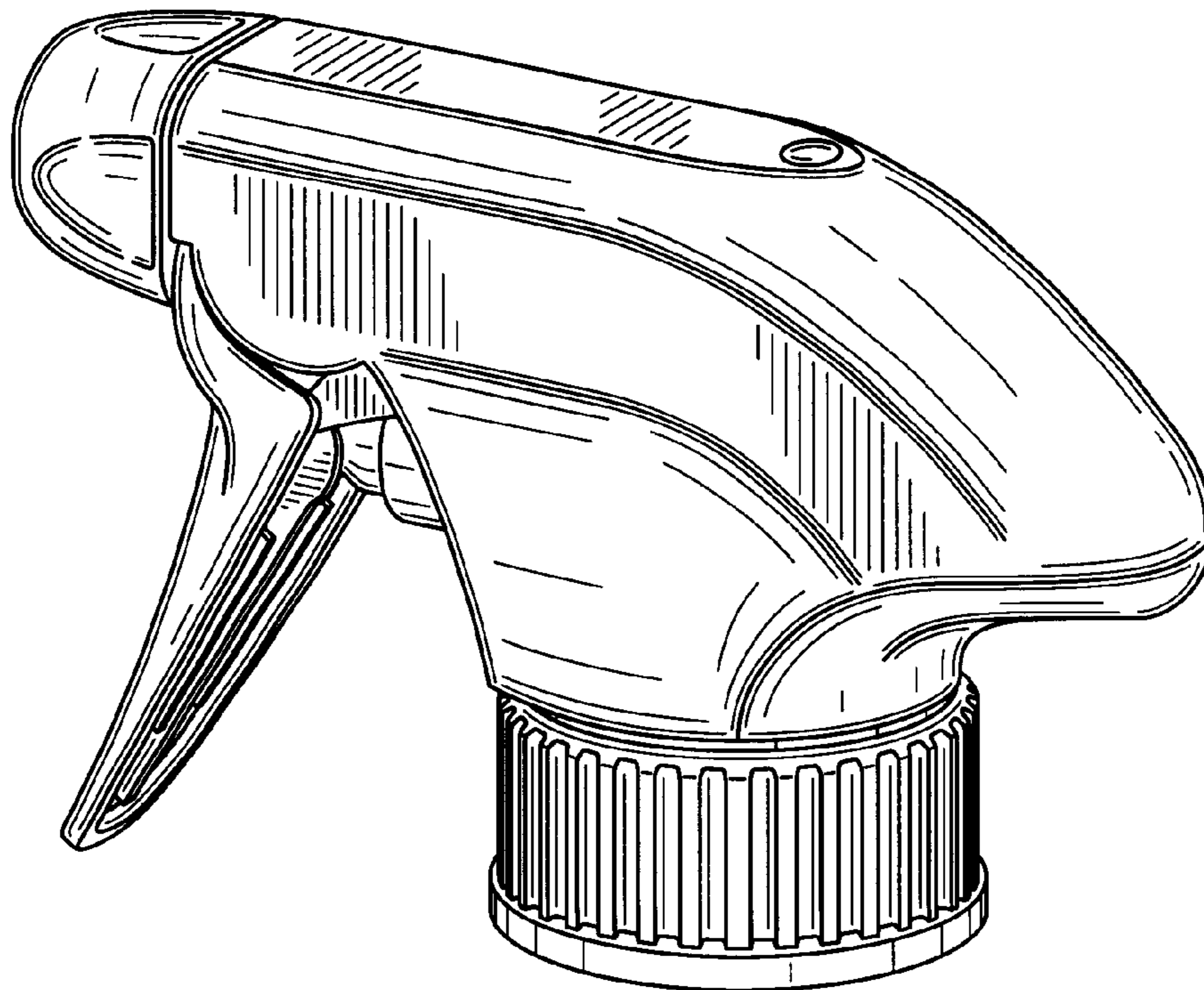


FIG. 6