



US00D521862S

(12) **United States Design Patent**
Siethoff et al.

(10) **Patent No.:** **US D521,862 S**

(45) **Date of Patent:** **** May 30, 2006**

(54) **PACKAGE**

(75) Inventors: **Sebastian Siethoff**, Chicago, IL (US);
Robert W. Anderson, Chicago, IL (US)

(73) Assignee: **Wm. Wrigley Jr. Company**, Chicago,
IL (US)

(**) Term: **14 Years**

(21) Appl. No.: **29/192,489**

(22) Filed: **Oct. 24, 2003**

(51) **LOC (8) Cl.** **09-03**

(52) **U.S. Cl.** **D9/432**

(58) **Field of Classification Search** D9/430-433,
D9/414, 422, 423, 499, 455, 456, 643, 761,
D9/420, 762; 206/457, 458, 432, 582, 830,
206/459.5, 497, 521.1; 229/110-116, 100,
229/104, 8, 132, 124, 153, 800, 117.6; 220/DIG. 34
See application file for complete search history.

(56) **References Cited**

U.S. PATENT DOCUMENTS

3,215,332	A	*	11/1965	Bess	229/240
D268,098	S	*	3/1983	Brown	D9/418
5,096,058	A	*	3/1992	Juravin et al.	206/232
D327,004	S	*	6/1992	Nadel	D9/522
5,458,235	A	*	10/1995	Stone	206/232
D372,670	S	*	8/1996	Healey	D9/422
D390,108	S	*	2/1998	Landis et al.	D9/415
D401,853	S	*	12/1998	Stavridis	D9/432
6,068,115	A	*	5/2000	Boulton	206/232
D447,687	S	*	9/2001	Roby	D9/422

* cited by examiner

Primary Examiner—Stella Reid

Assistant Examiner—Mark Goodwin

(74) *Attorney, Agent, or Firm*—Bell, Boyd & Lloyd LLC

(57) **CLAIM**

The ornamental design for a package, as shown and described.

DESCRIPTION

FIG. 1 is a front perspective view of a package in assembled condition showing our new design;

FIG. 2 is a front view thereof;

FIG. 3 is a rear view thereof;

FIG. 4 is a left side view thereof with the right side view being a mirror image thereof;

FIG. 5 is a top view thereof;

FIG. 6 is a bottom view thereof;

FIG. 7 is a front perspective view of a package in partially unassembled condition showing our new design;

FIG. 8 is a front view thereof;

FIG. 9 is a rear view thereof;

FIG. 10 is a left side view thereof;

FIG. 11 is a right side view thereof;

FIG. 12 is a top view thereof;

FIG. 13 is a bottom view thereof;

FIG. 14 is a front perspective view of a package in fully unassembled condition showing our new design;

FIG. 15 is a front view thereof;

FIG. 16 is a rear view thereof;

FIG. 17 is a left side view thereof with the right side view being a mirror image thereof;

FIG. 18 is a top view thereof; and,

FIG. 19 is a bottom view thereof.

1 Claim, 12 Drawing Sheets

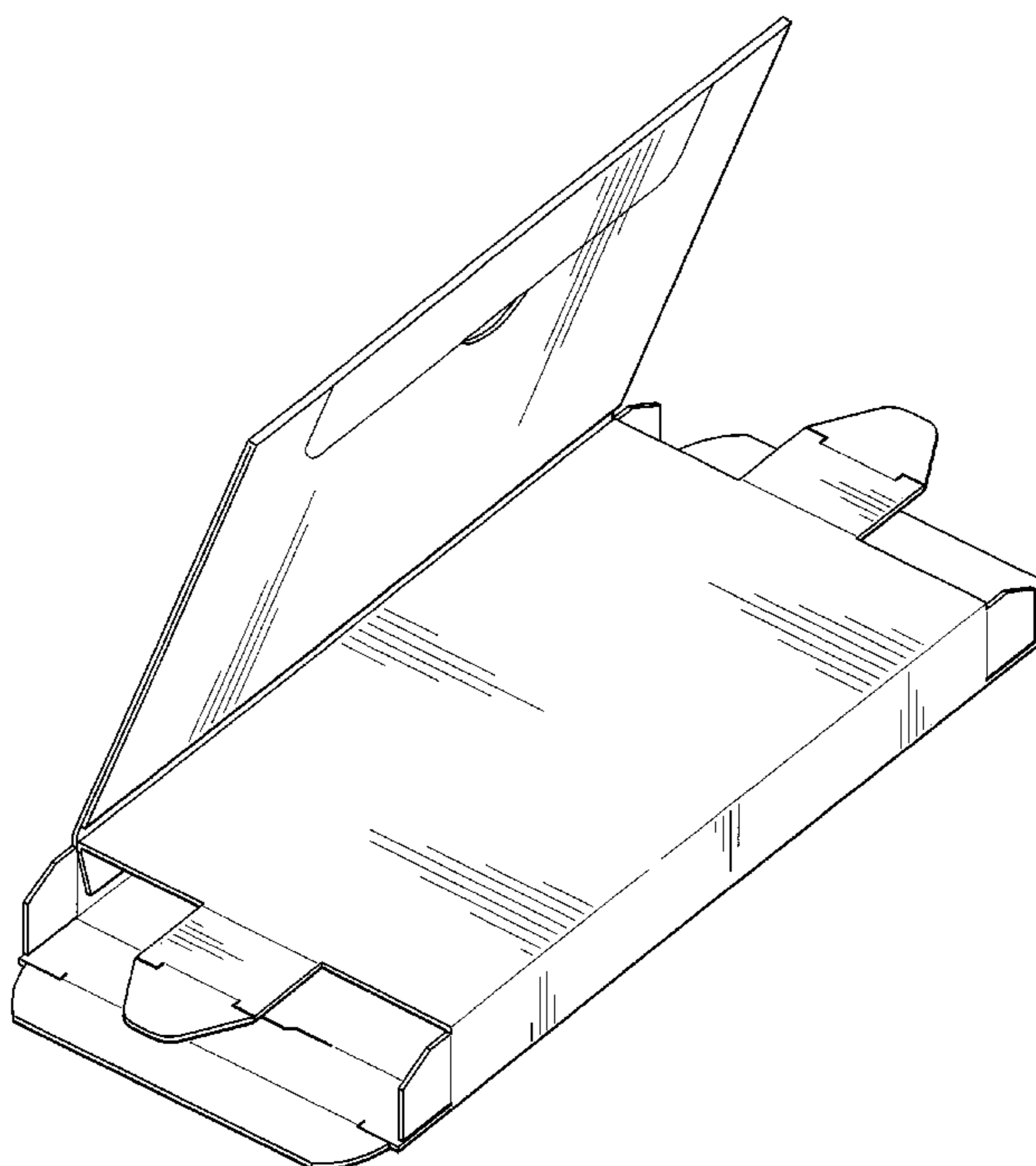


FIG.1

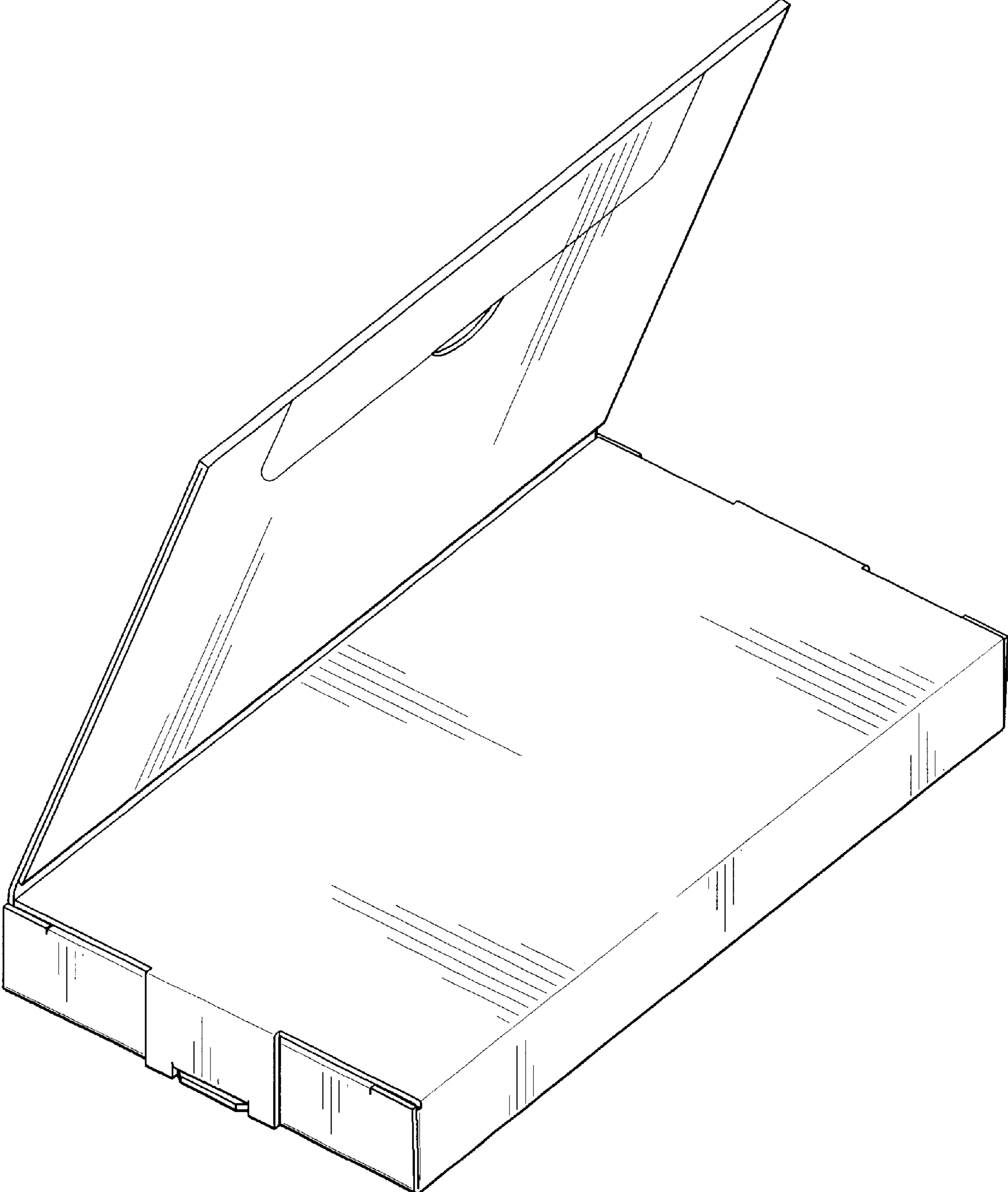


FIG. 2

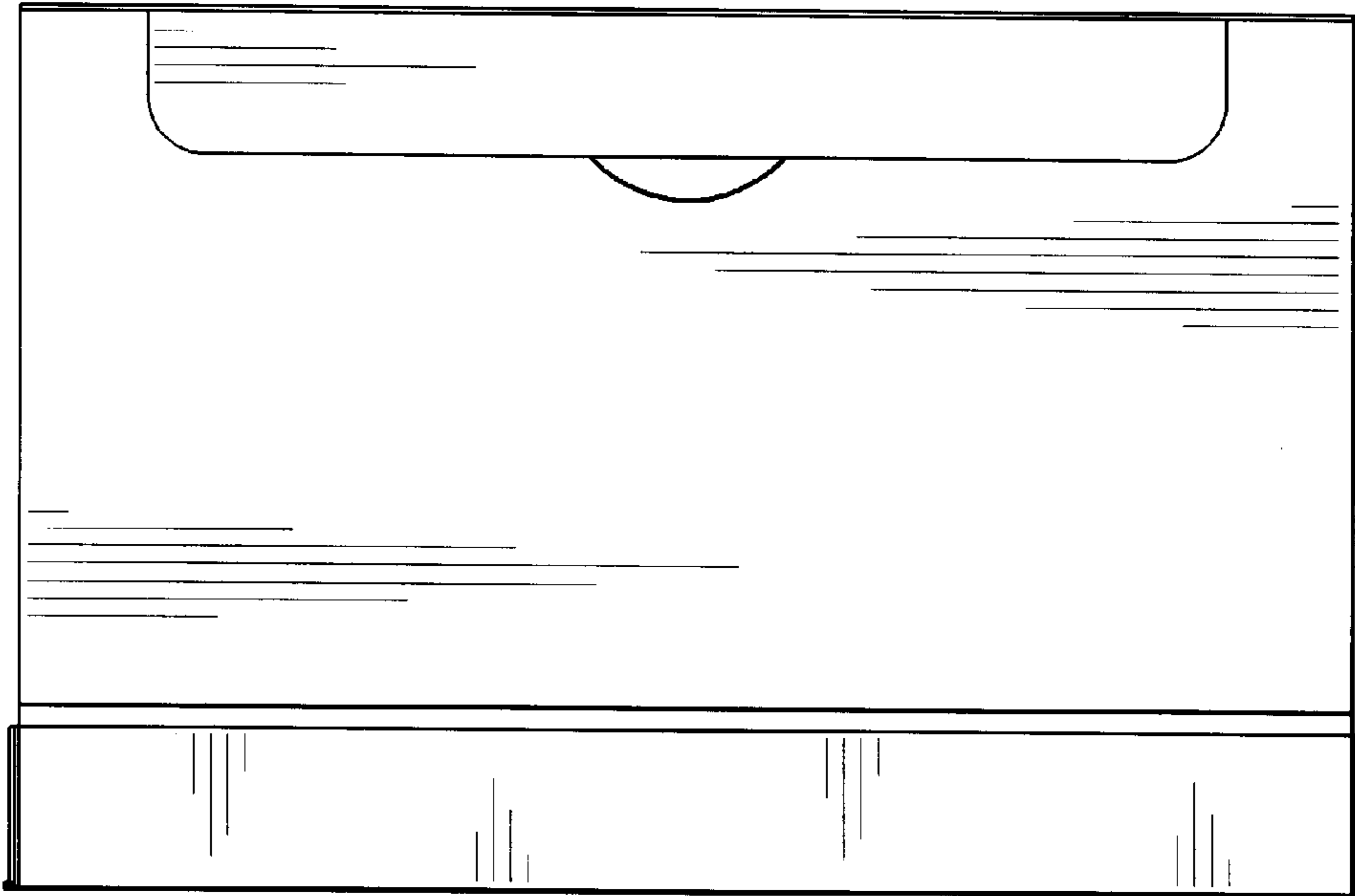


FIG. 3

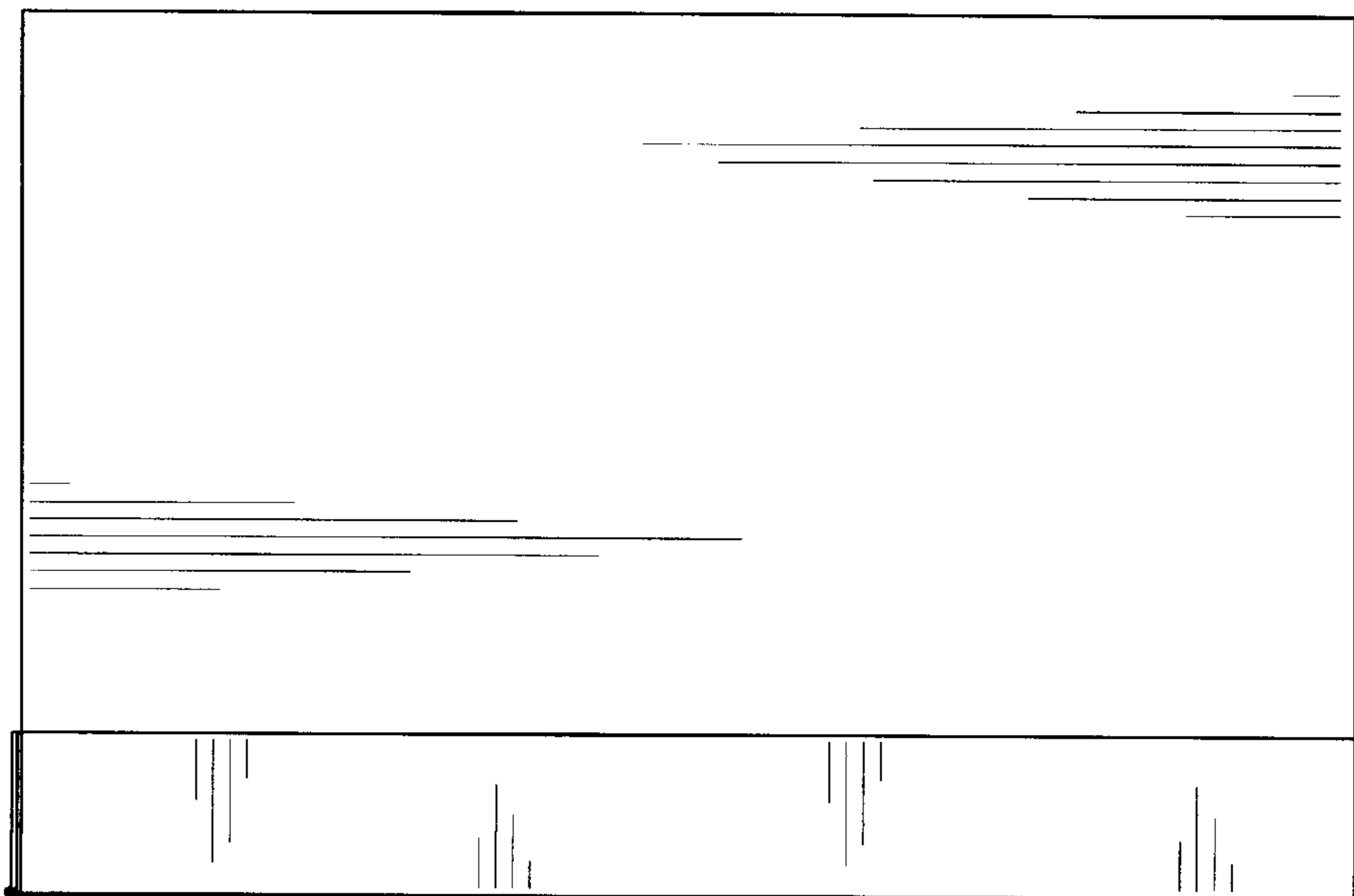


FIG. 4

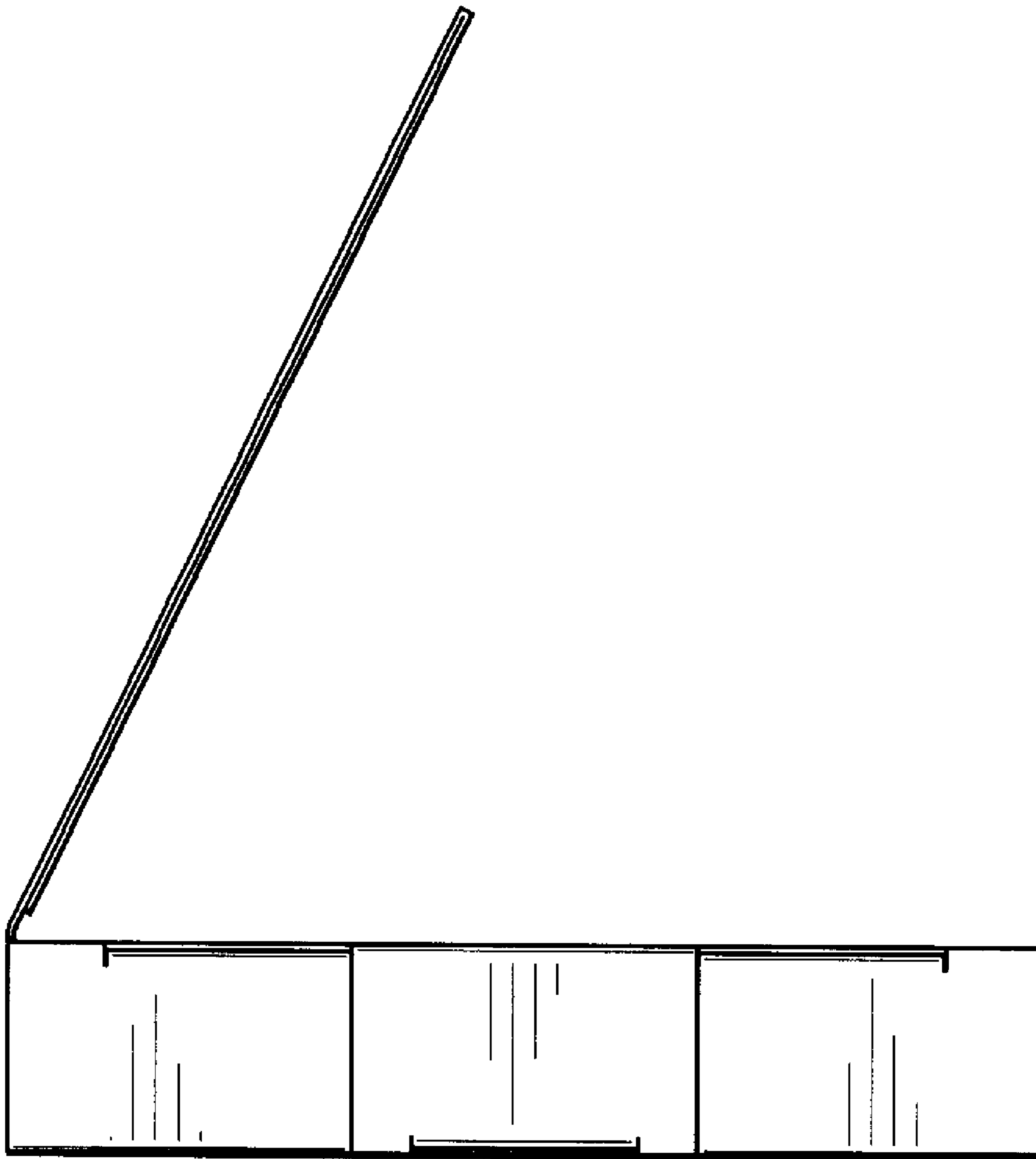


FIG. 5

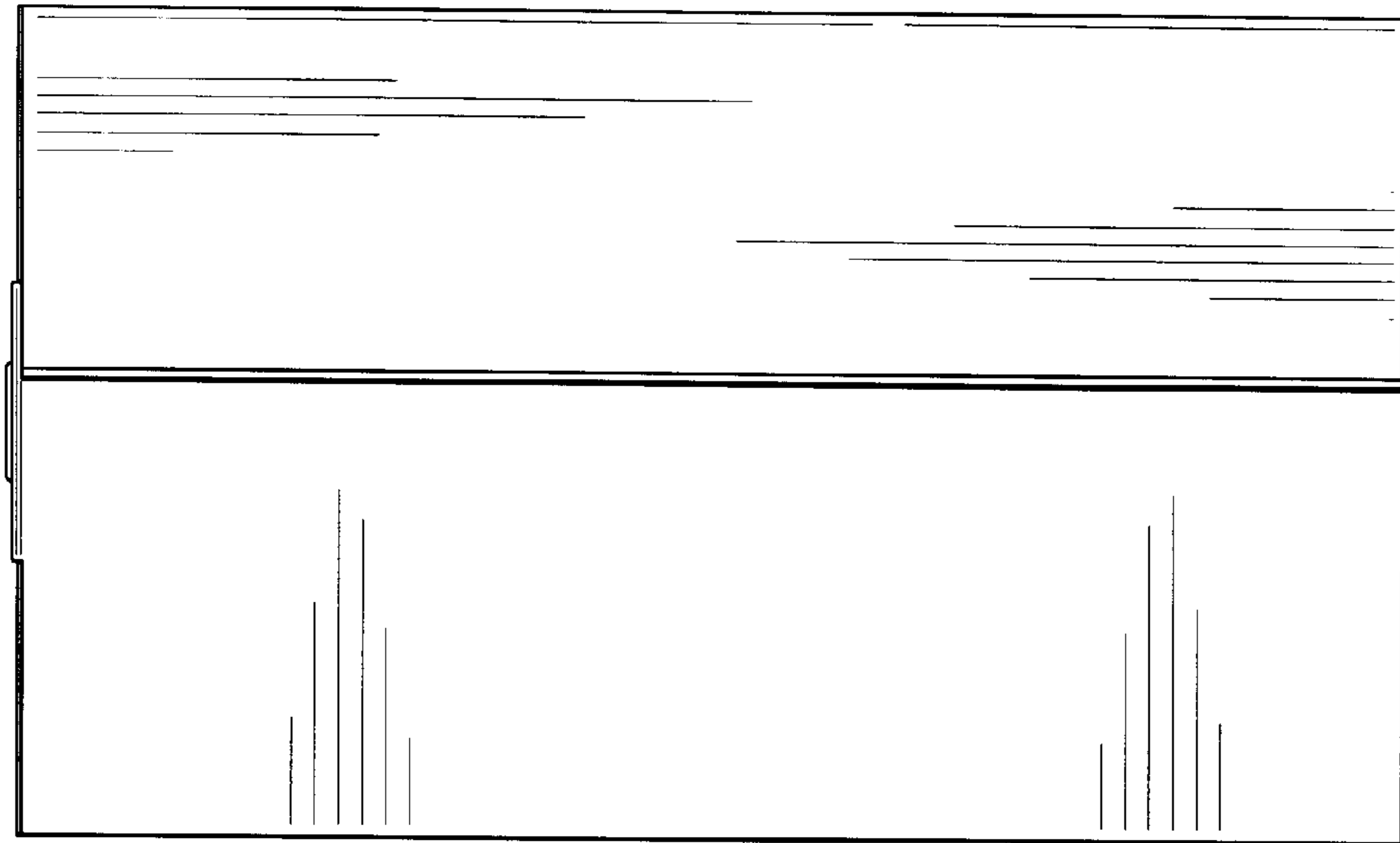


FIG. 6

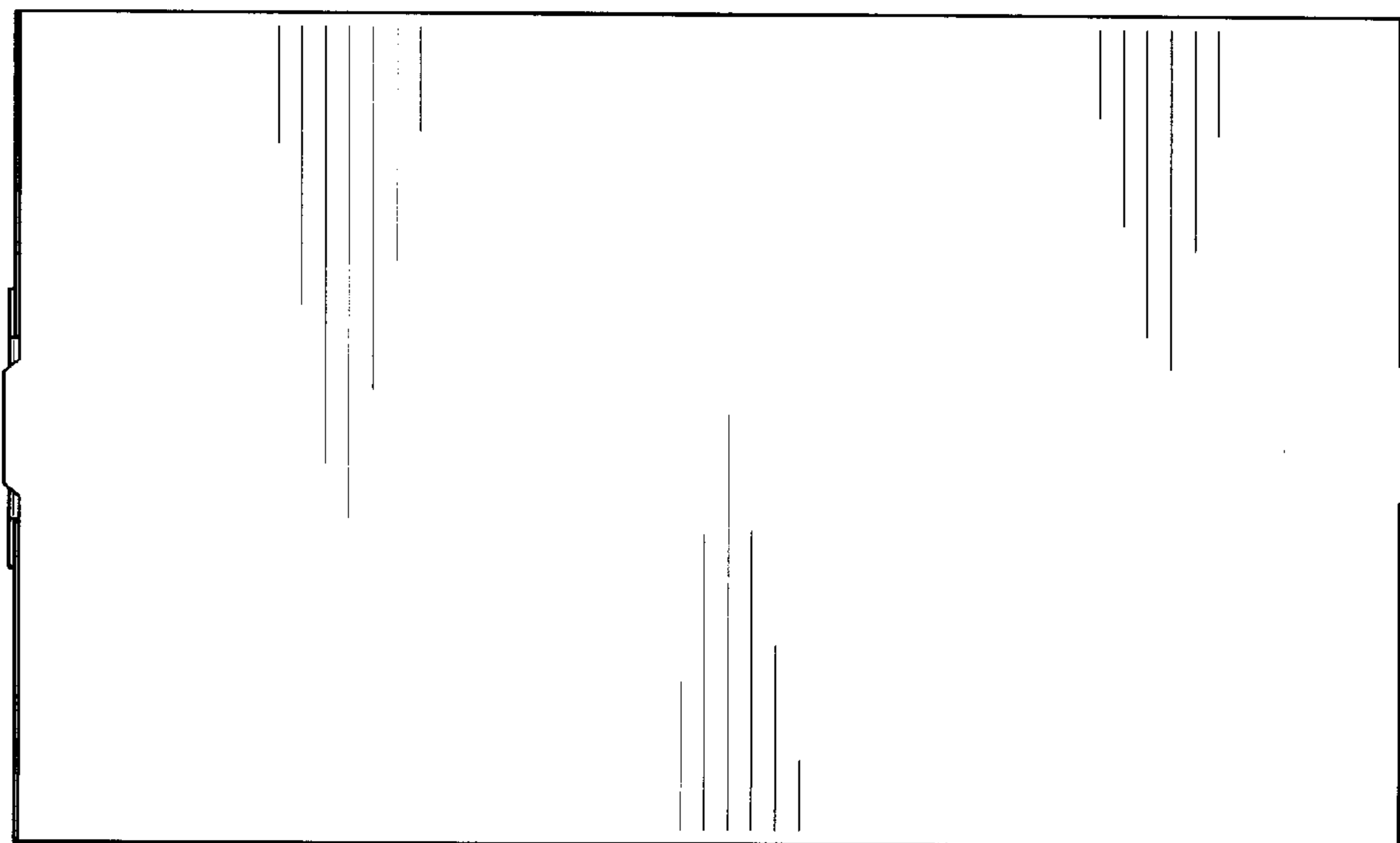


FIG. 7

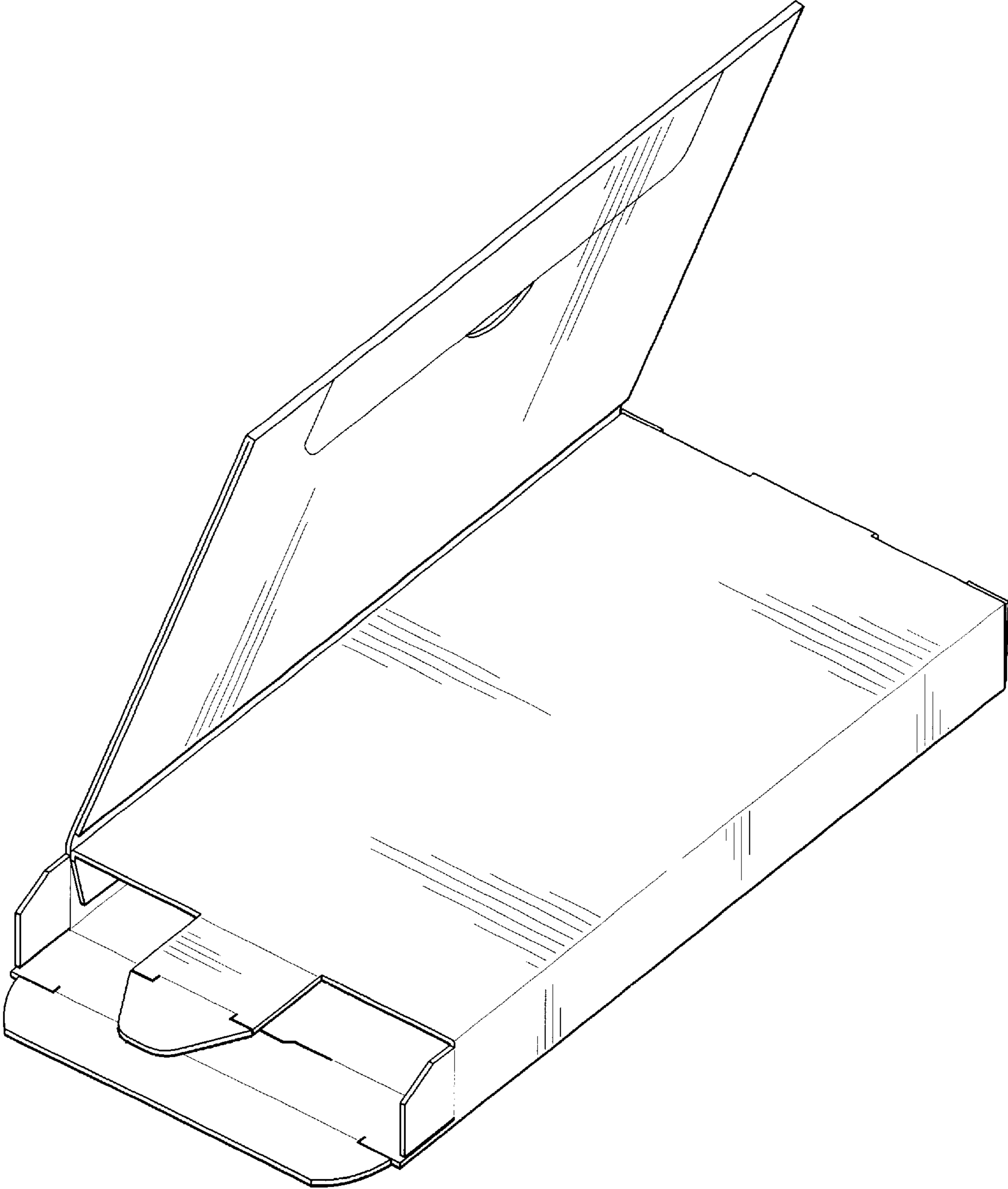


FIG.8

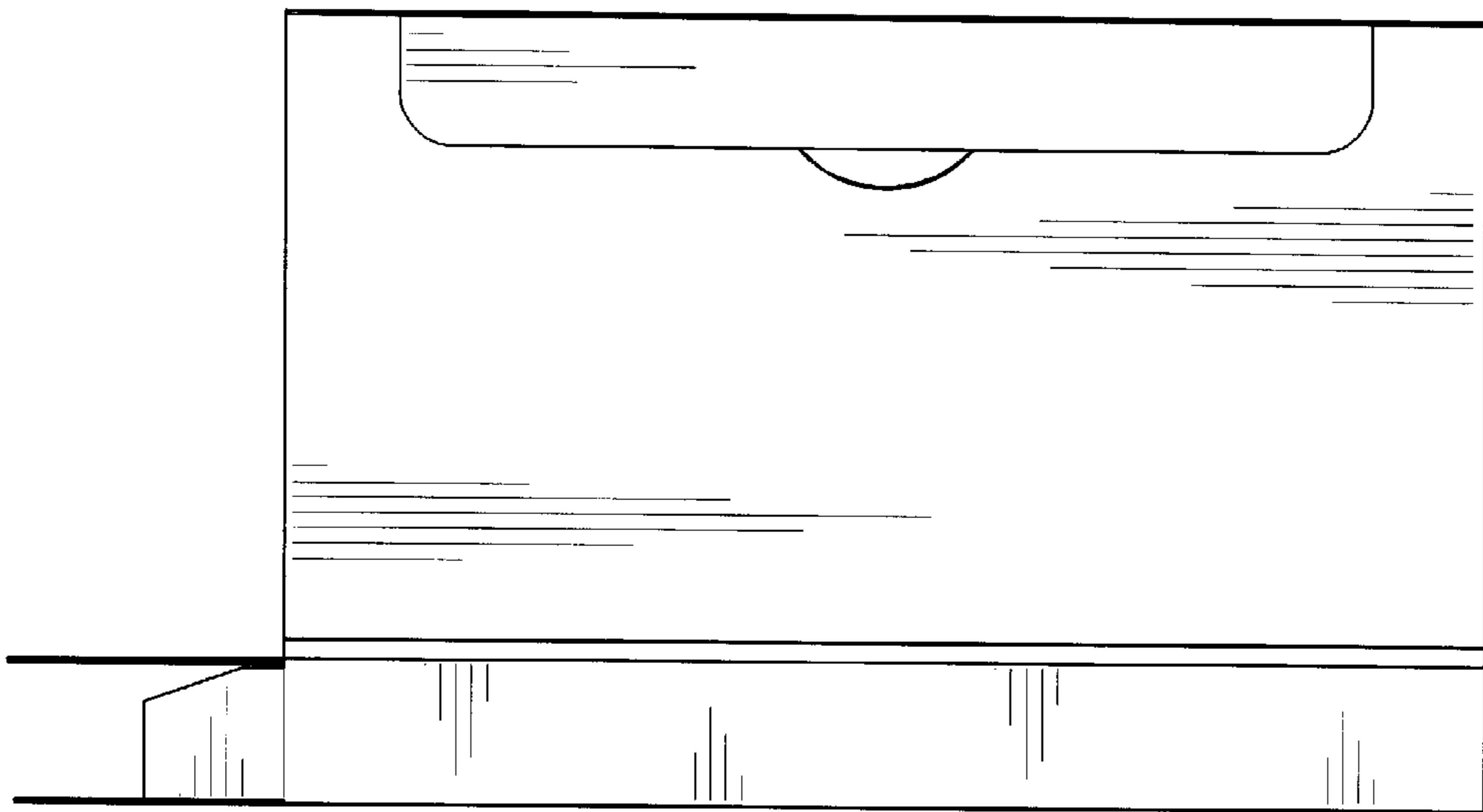


FIG.9

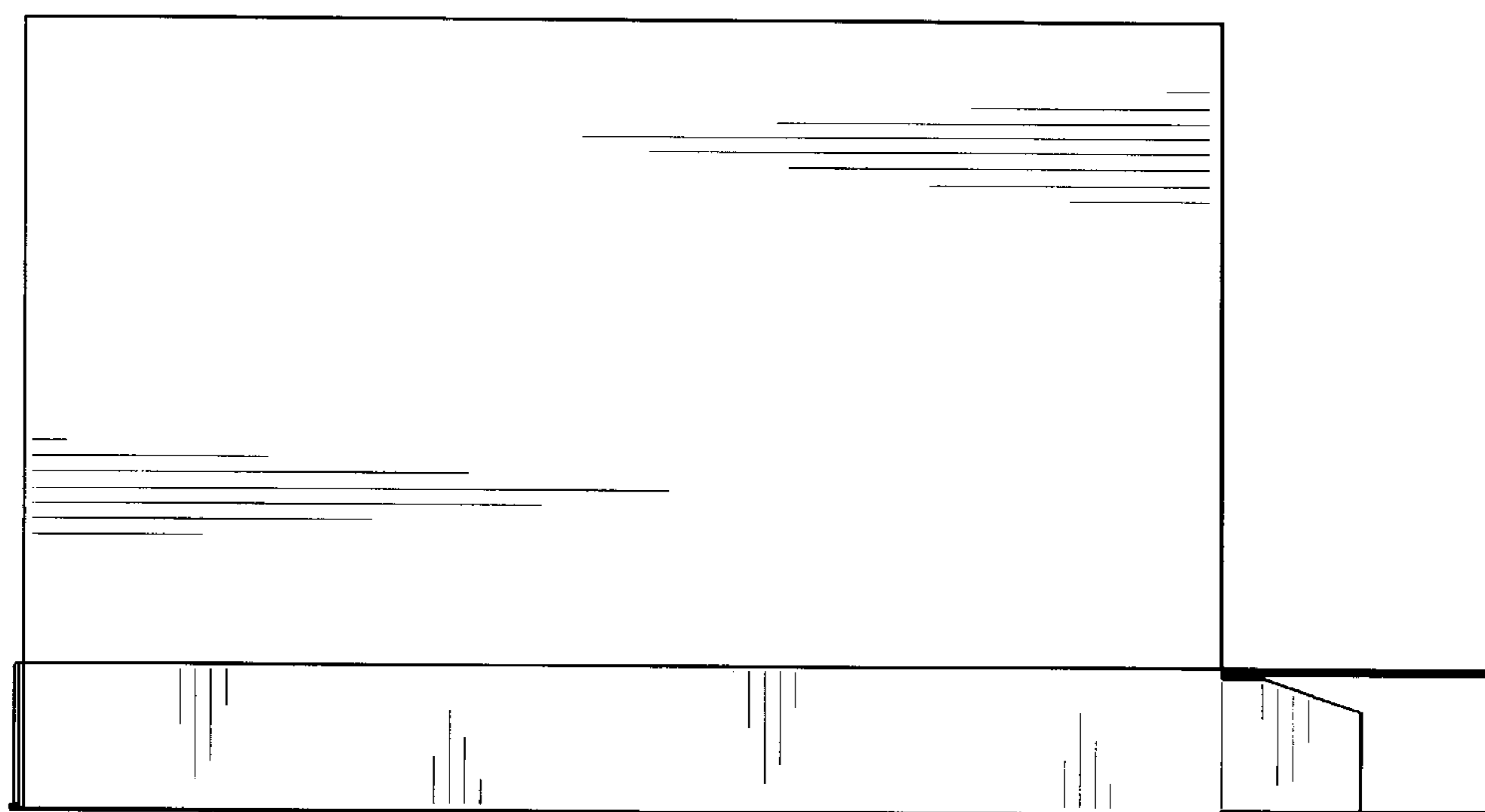


FIG.10

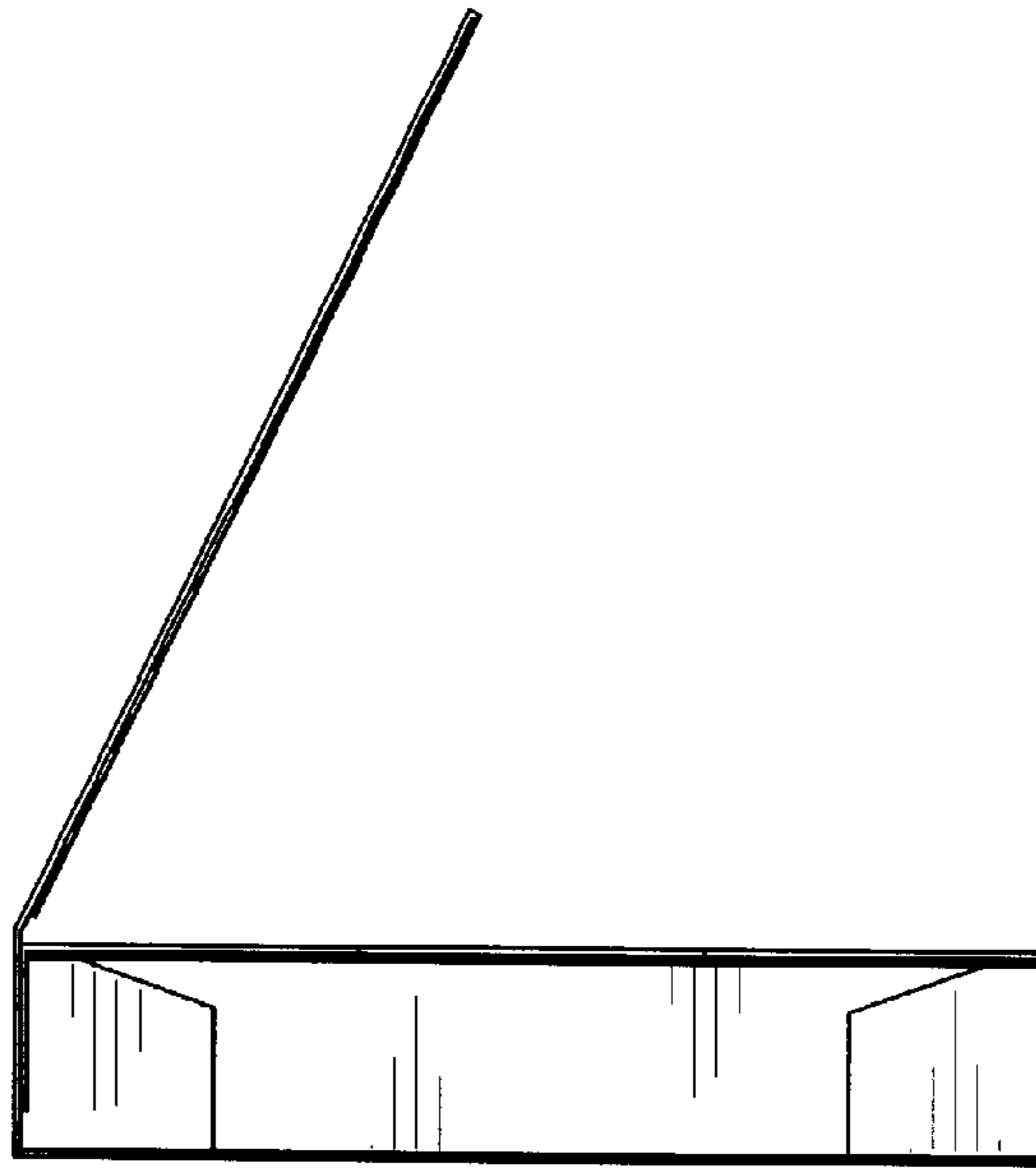


FIG.11

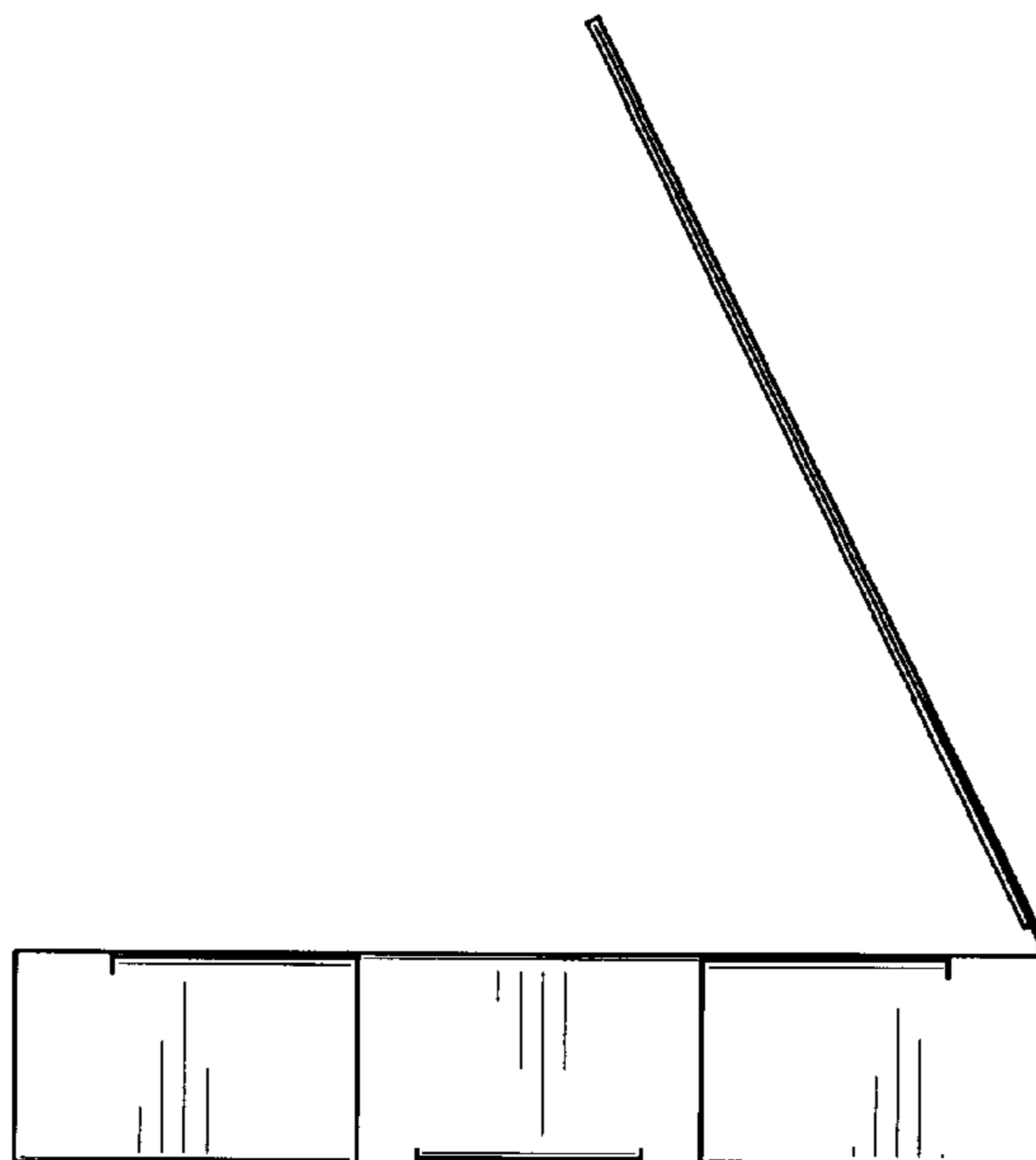


FIG.12

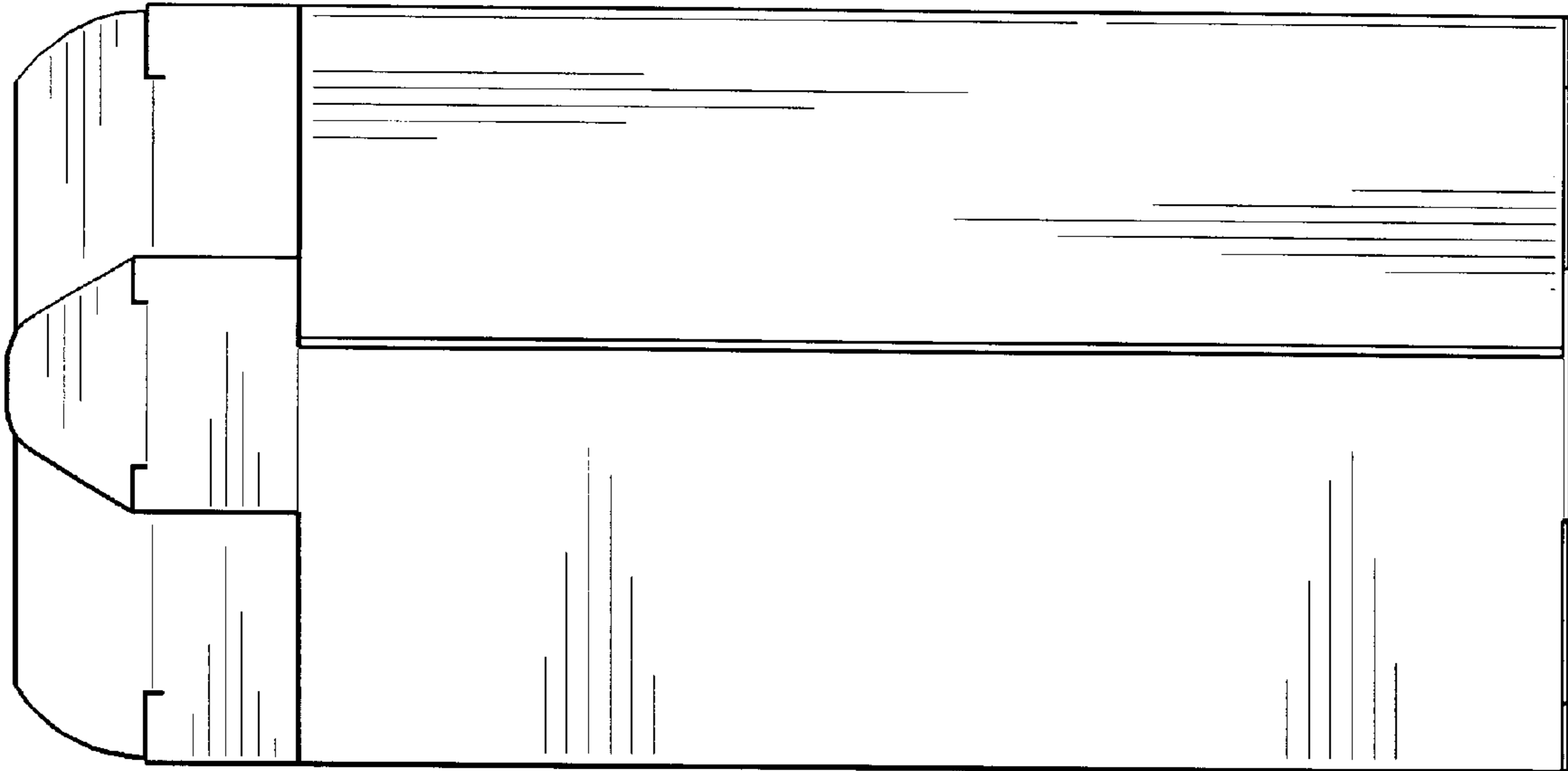


FIG.13

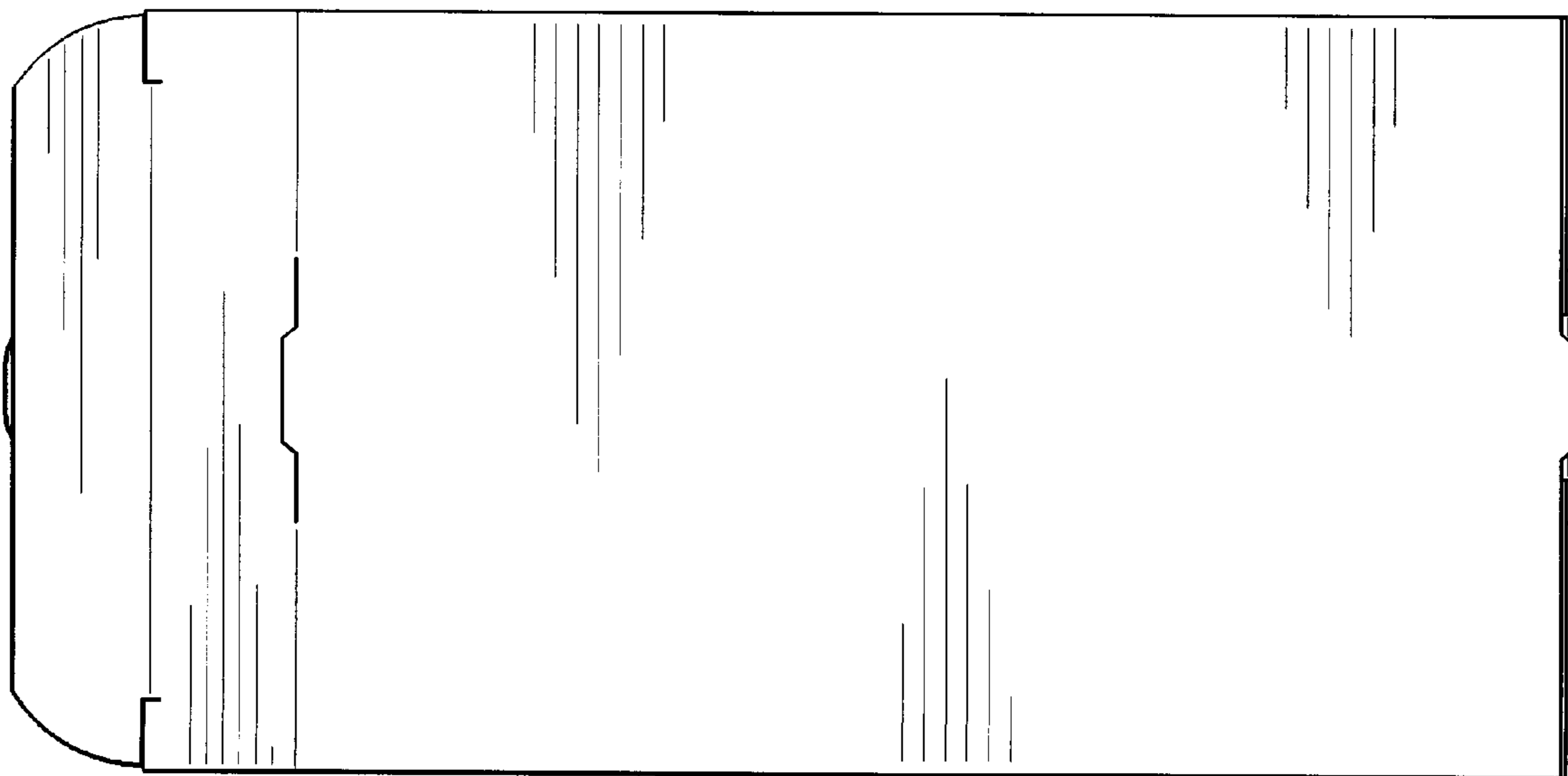


FIG.14

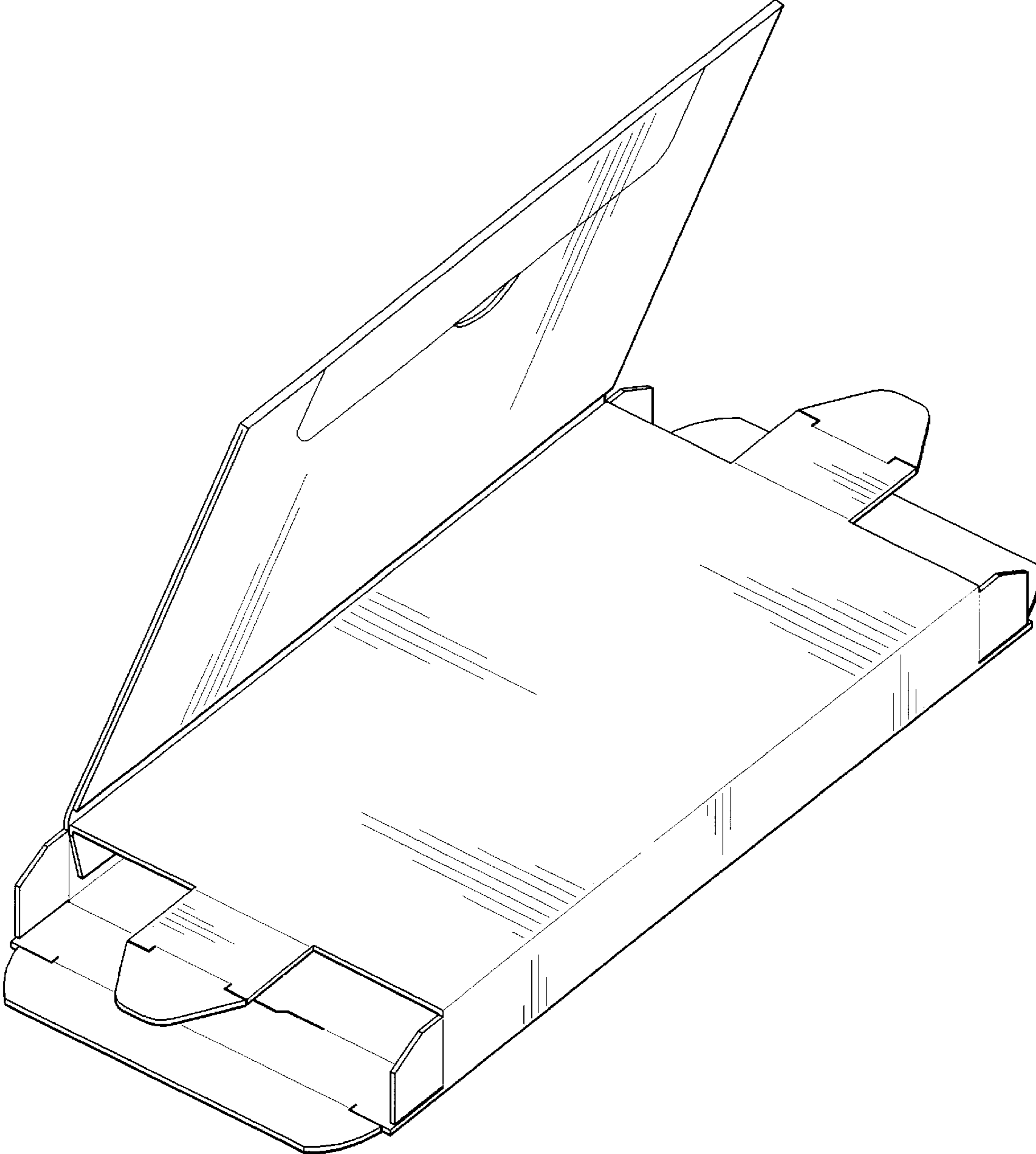


FIG.15

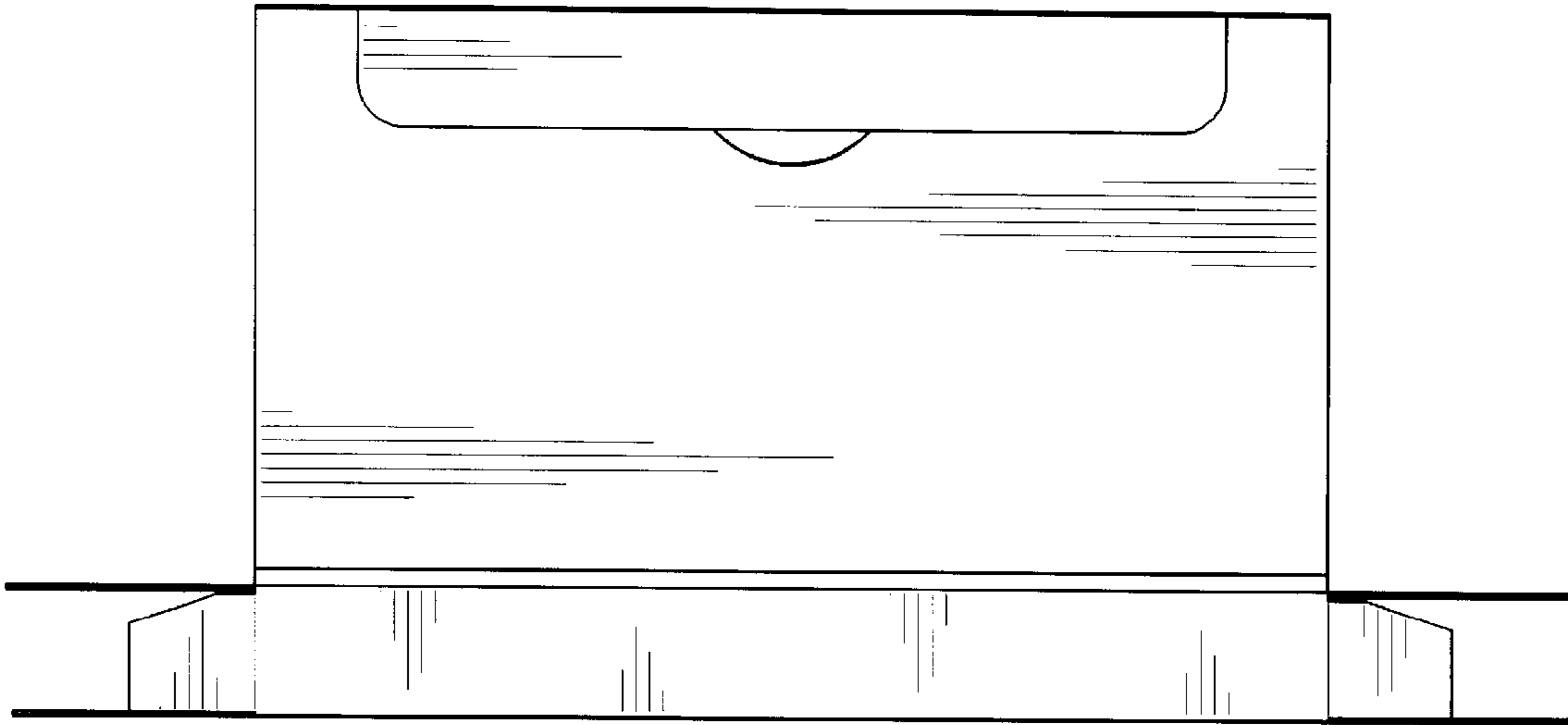


FIG.16

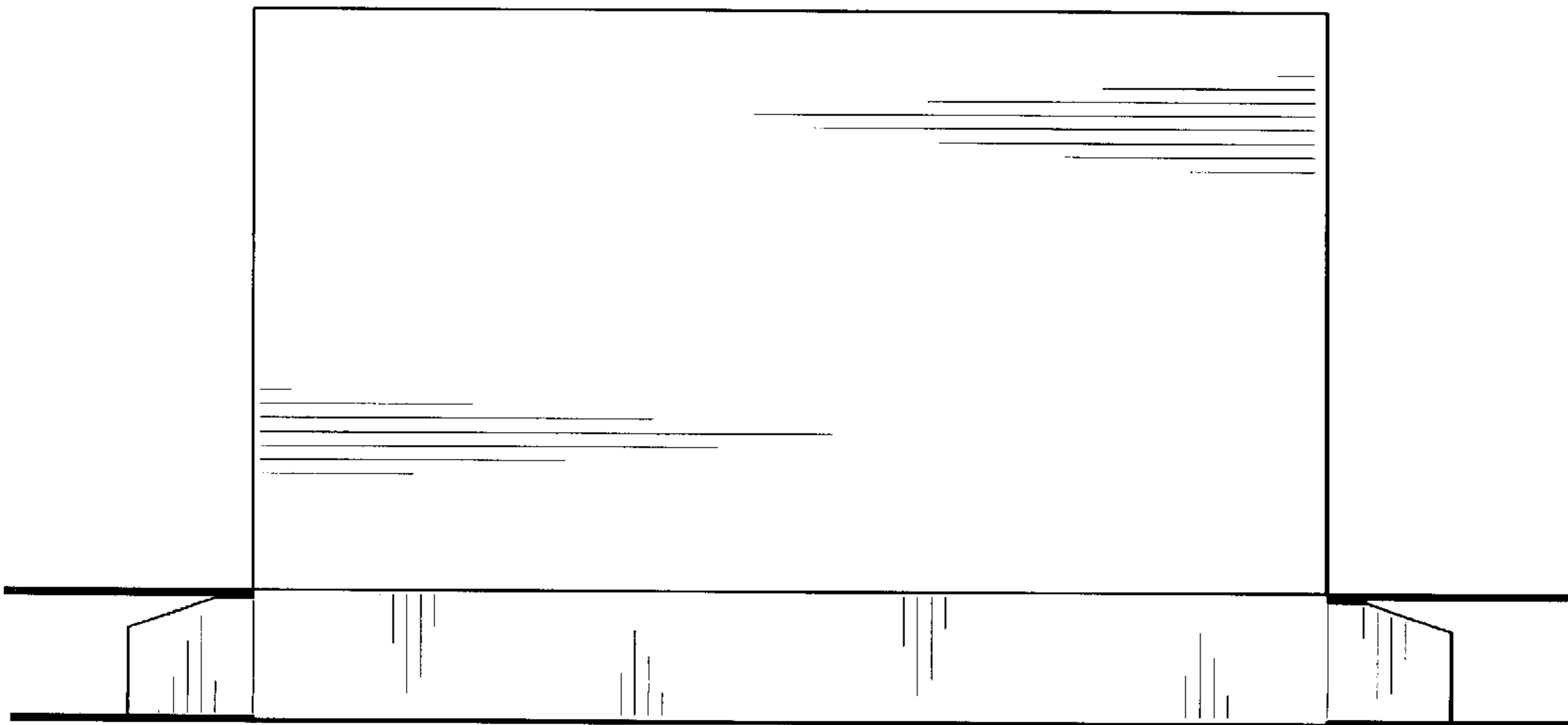


FIG. 17

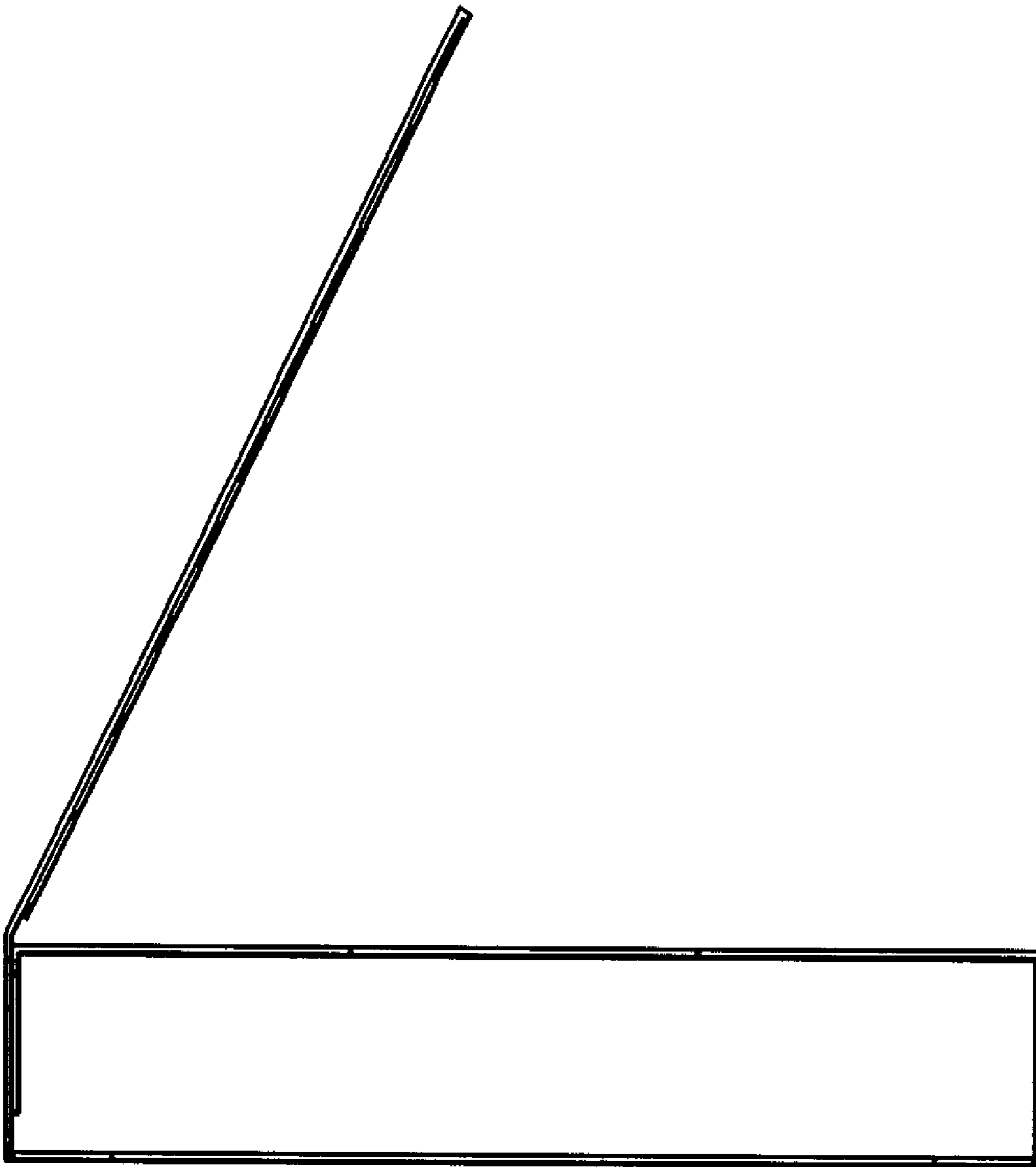


FIG.18

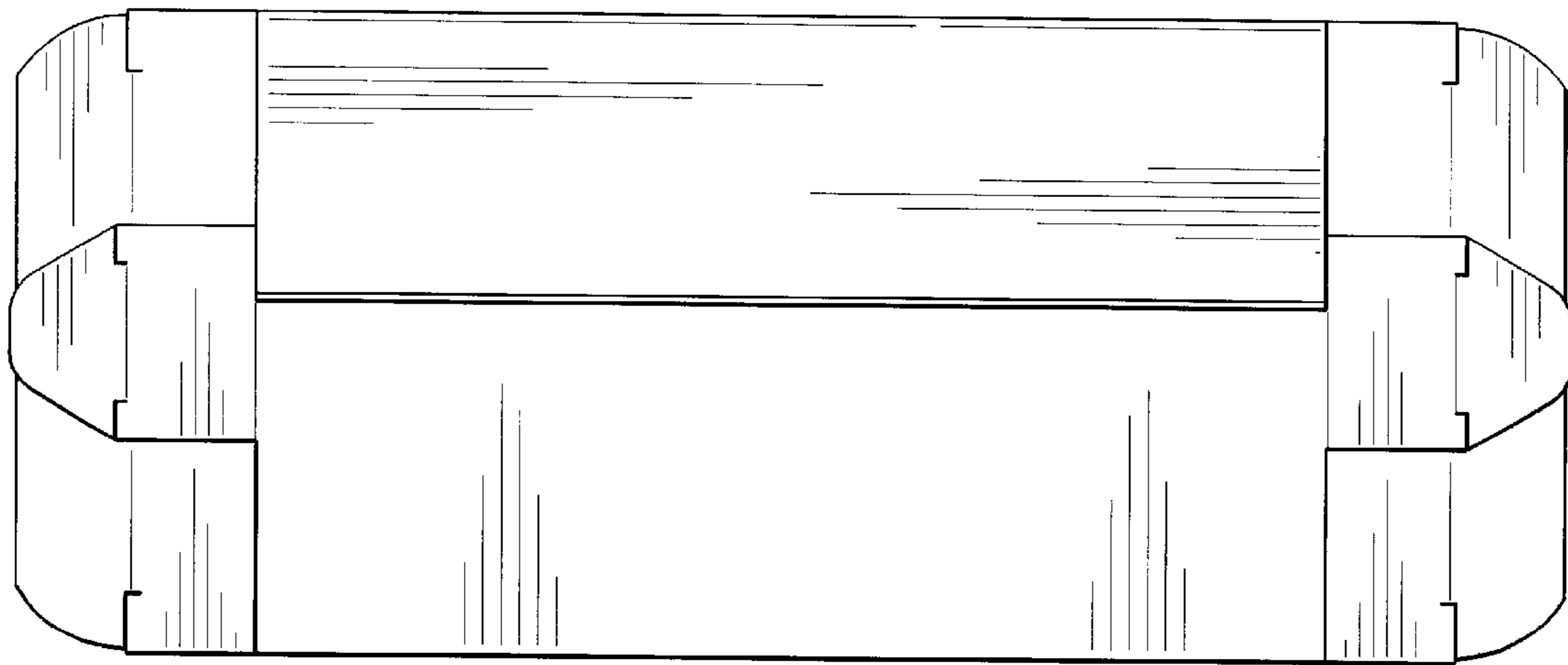


FIG.19

