

US00D521861S

(12) **United States Design Patent**  
**Lee et al.**

(10) **Patent No.:** **US D521,861 S**  
(45) **Date of Patent:** **\*\* May 30, 2006**

(54) **PERFORMANCE CAR AUDIO BUBBLE  
PACKAGING**

(75) Inventors: **Noel Lee**, Las Vegas, NV (US);  
**Kendrew Lee**, Fremont, CA (US)

(73) Assignee: **Monster Cable Products, Inc.**,  
Brisbane, CA (US)

(\*\*) Term: **14 Years**

(21) Appl. No.: **29/220,543**

(22) Filed: **Dec. 30, 2004**

(51) **LOC (8) Cl.** ..... **09-07**

(52) **U.S. Cl.** ..... **D9/415**

(58) **Field of Classification Search** ..... D9/415,  
D9/418, 457, 414; 206/461-471, 495, 806,  
206/223, 303, 389, 579, 775

See application file for complete search history.

(56) **References Cited**

**U.S. PATENT DOCUMENTS**

4,613,038	A	*	9/1986	Kirk	.....	206/216
4,804,091	A	*	2/1989	Segal	.....	206/457
D328,249	S	*	7/1992	Lee	.....	D9/415
5,129,516	A	*	7/1992	Theros	.....	206/463
D405,688	S	*	2/1999	Lee et al.	.....	D9/415
D406,753	S	*	3/1999	Lee	.....	D9/415
5,875,893	A	*	3/1999	Lee et al.	.....	206/463
D431,459	S	*	10/2000	Lee	.....	D9/415
6,131,737	A	*	10/2000	Marshall	.....	206/471

D438,461	S	*	3/2001	Yamagishi	.....	D9/415
D466,405	S	*	12/2002	Lee	.....	D9/415
D471,442	S	*	3/2003	Lee	.....	D9/415
D504,064	S	*	4/2005	Lee et al.	.....	D9/415

\* cited by examiner

*Primary Examiner*—Prabhakar Deshmukh

(74) *Attorney, Agent, or Firm*—LaRiviere, Grubman &  
Payne, LLP

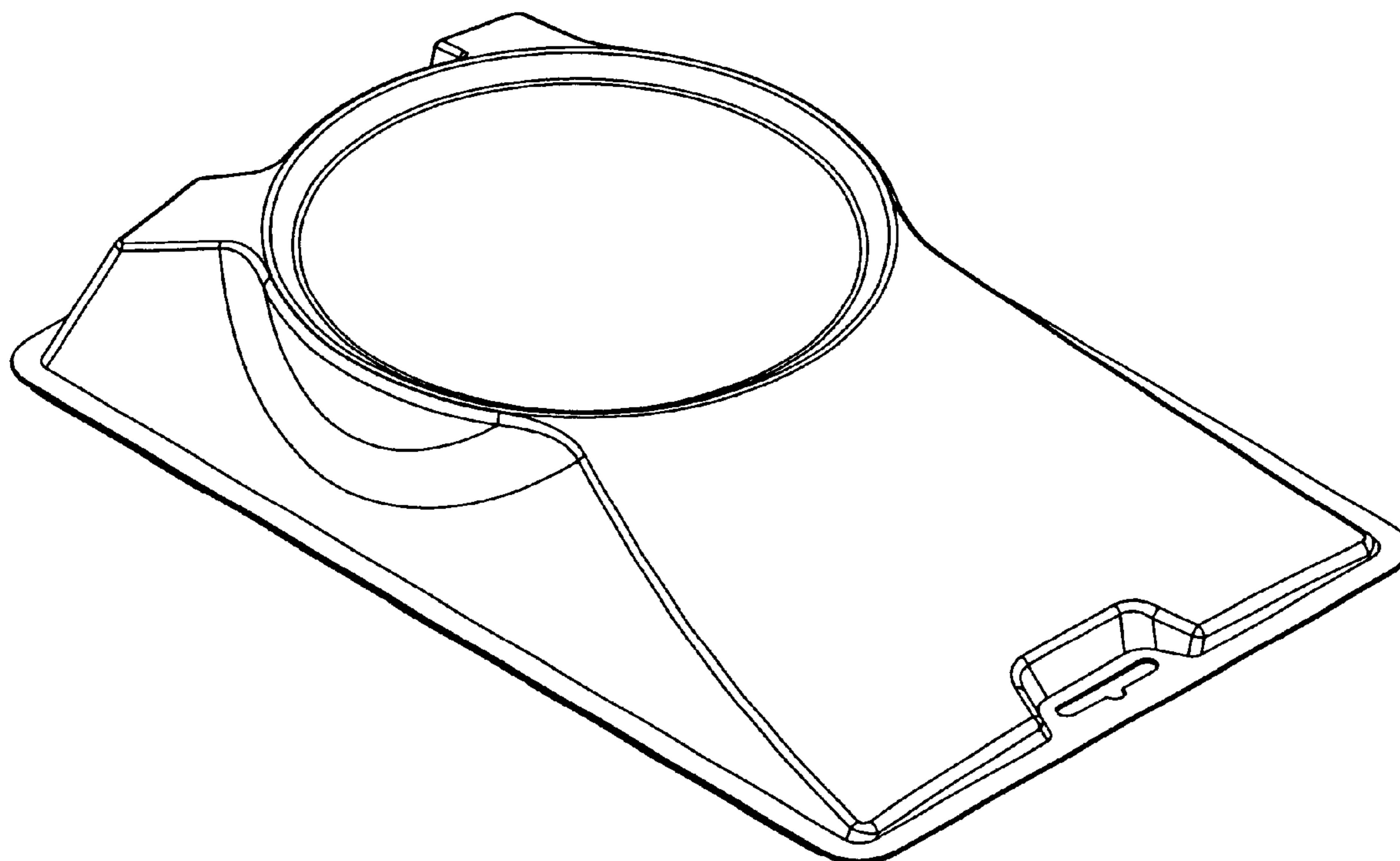
(57) **CLAIM**

The ornamental design for a performance car audio bubble  
packaging, as shown and described.

**DESCRIPTION**

FIG. 1 is a perspective view of a performance car audio bubble  
packaging, in accordance with the present invention.  
FIG. 2 is a front view of a performance car audio bubble  
packaging, in accordance with the present invention.  
FIG. 3 is a bottom view of a performance car audio bubble  
packaging, in accordance with the present invention.  
FIG. 4 is a rear view of a performance car audio bubble  
packaging, in accordance with the present invention.  
FIG. 5 is a top view of a performance car audio packaging,  
in accordance with the present invention.  
FIG. 6 is a side view of a performance car audio bubble  
packaging, in accordance with the present invention; and,  
FIG. 7 is an opposing side view of a performance car audio  
bubble packaging, in accordance with the present invention.

**1 Claim, 3 Drawing Sheets**



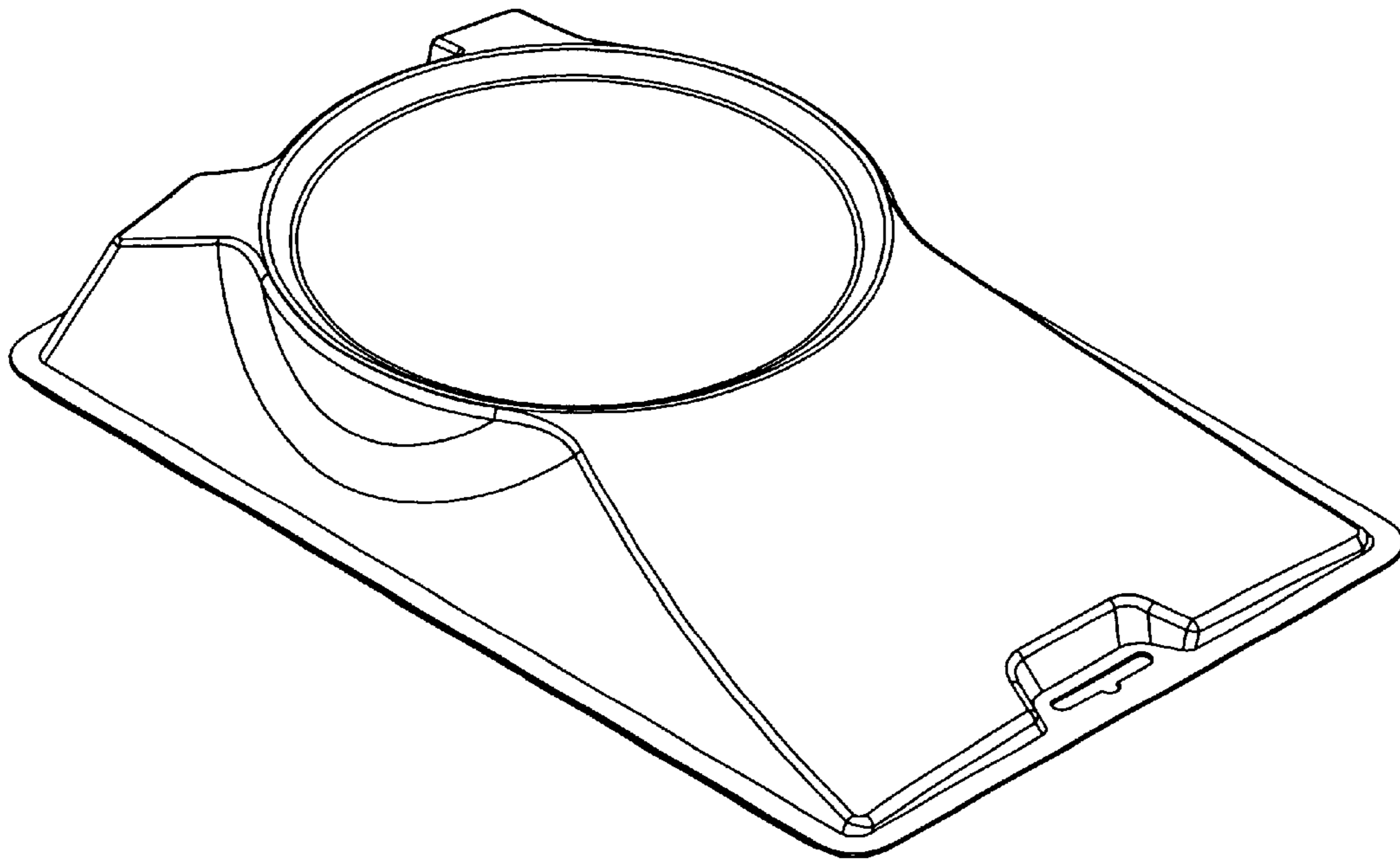


Figure 1

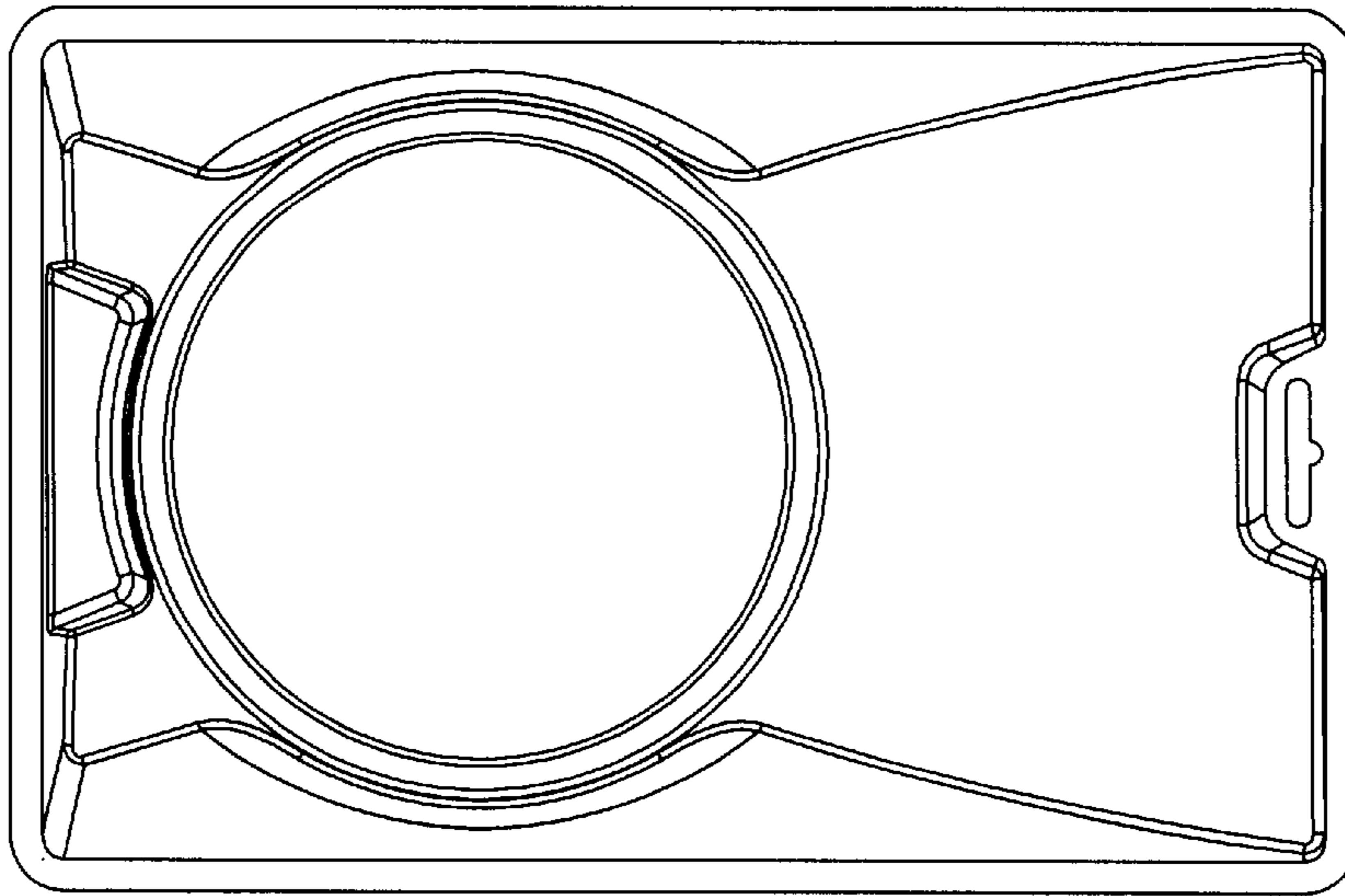


Figure 2

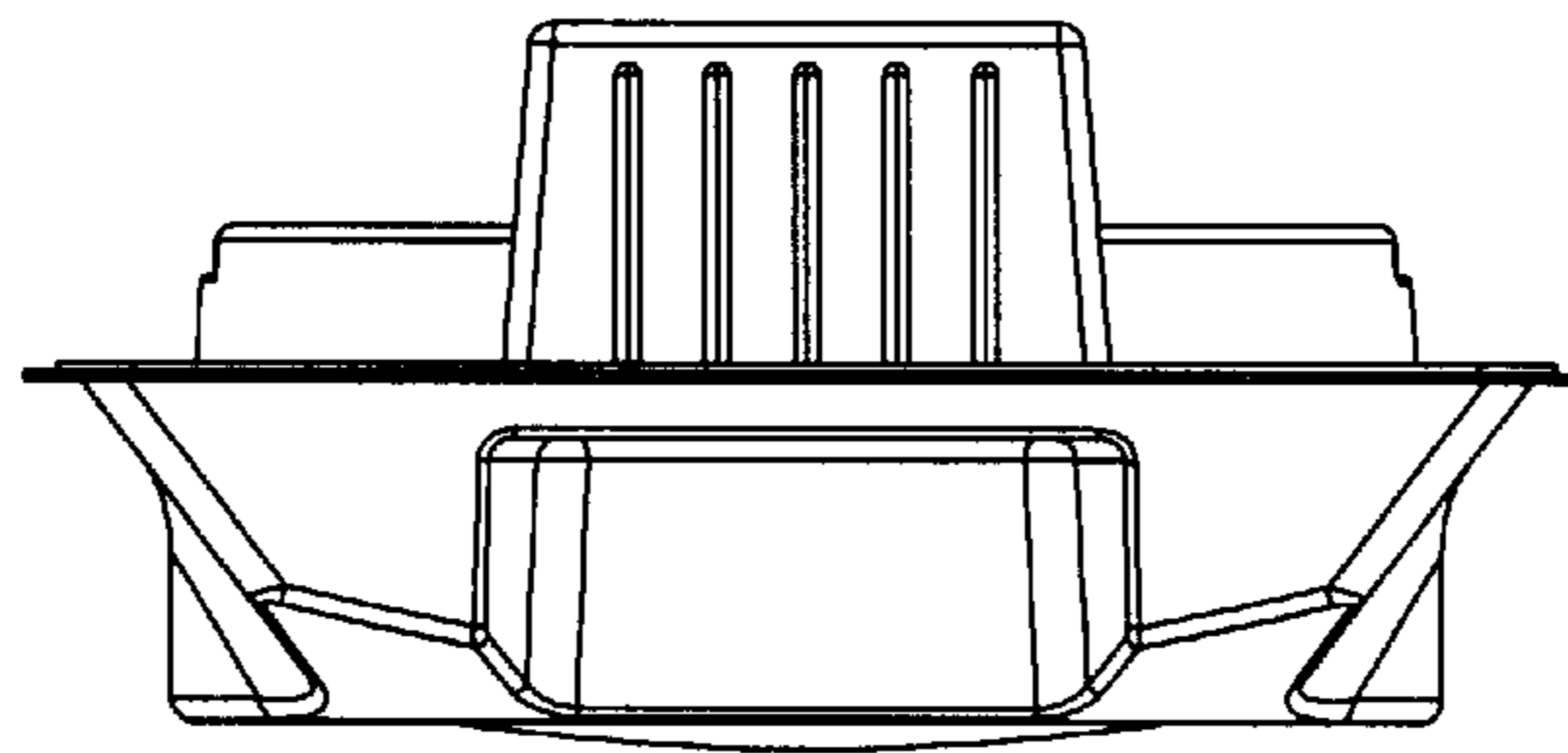


Figure 3

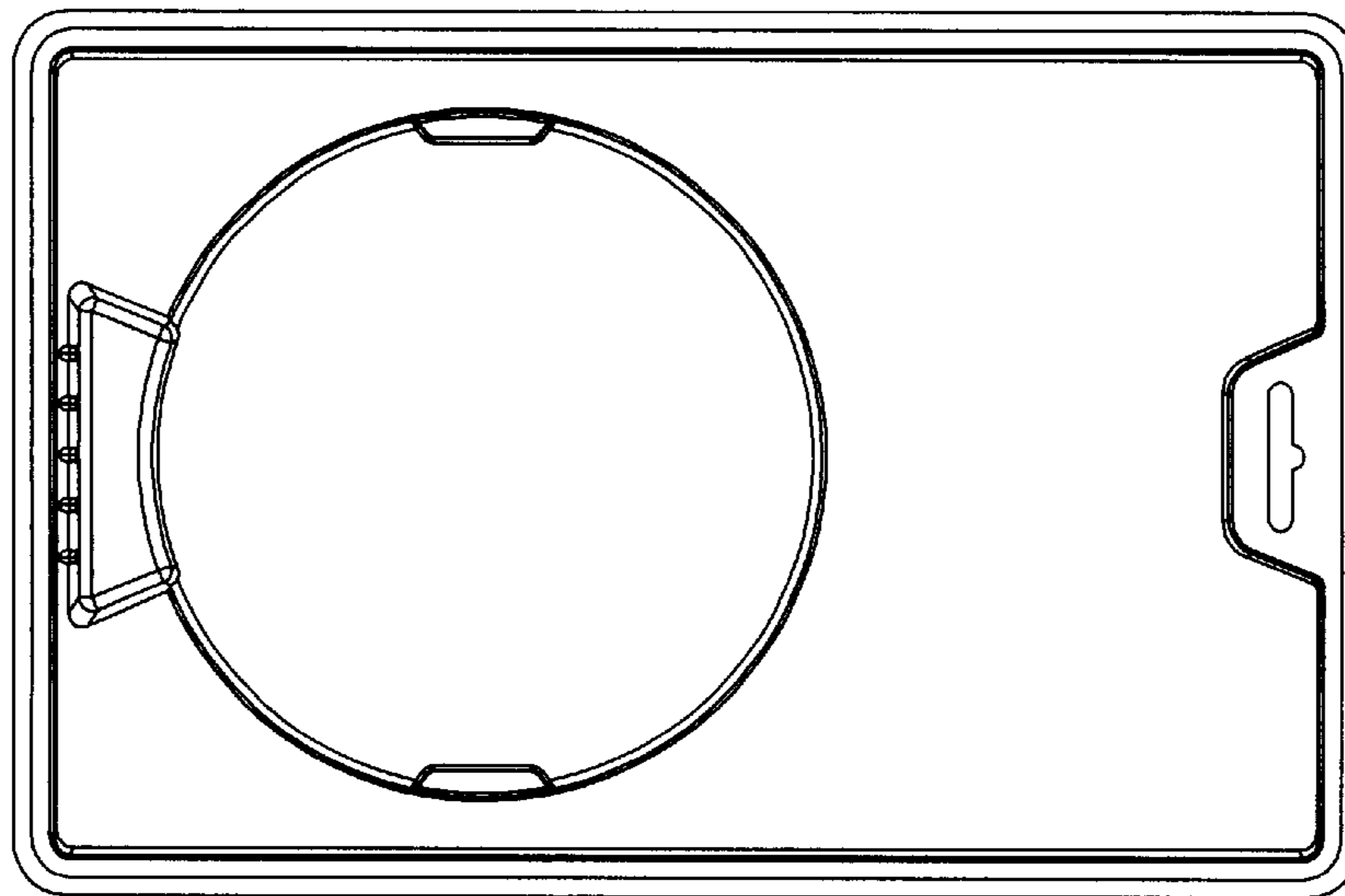


Figure 4

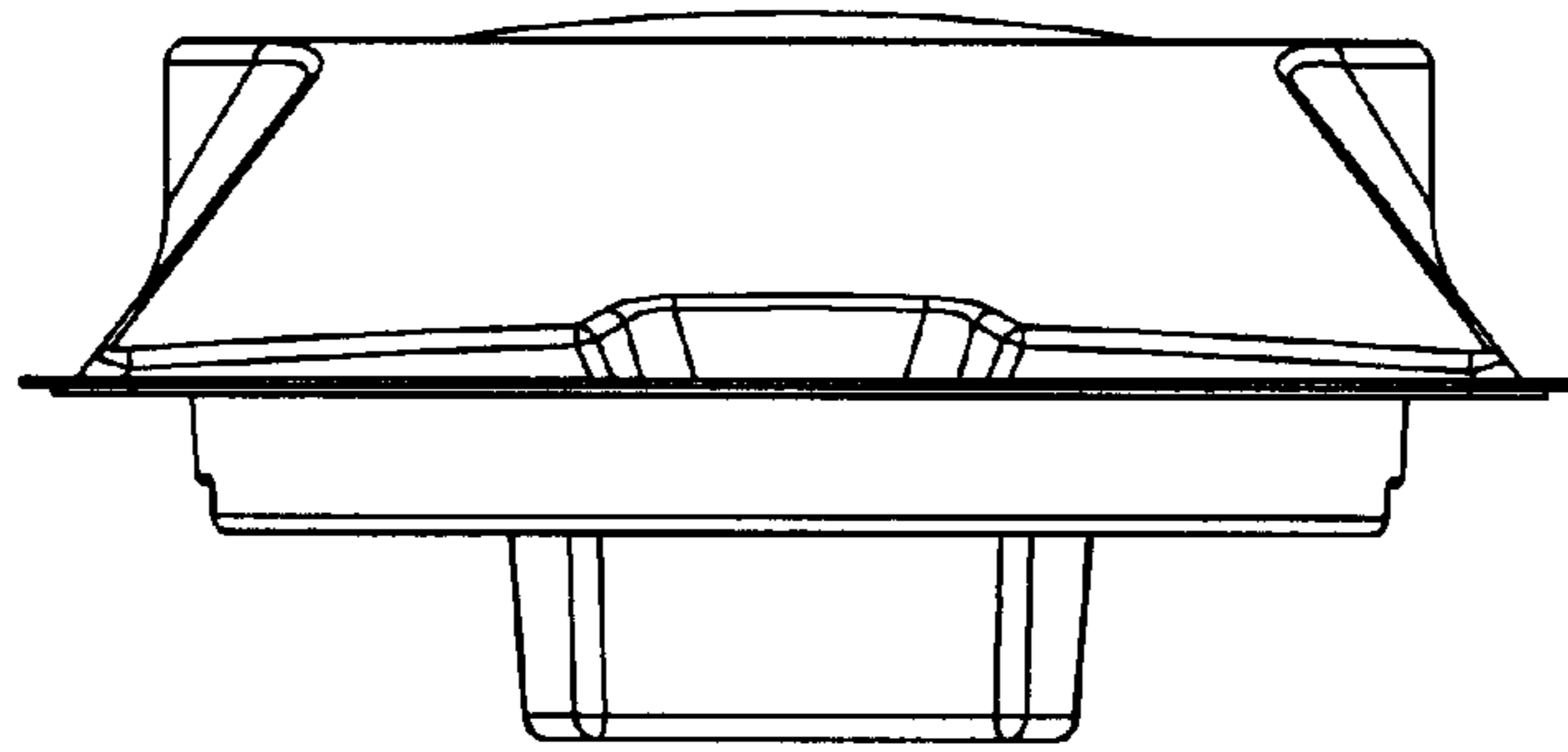


Figure 5

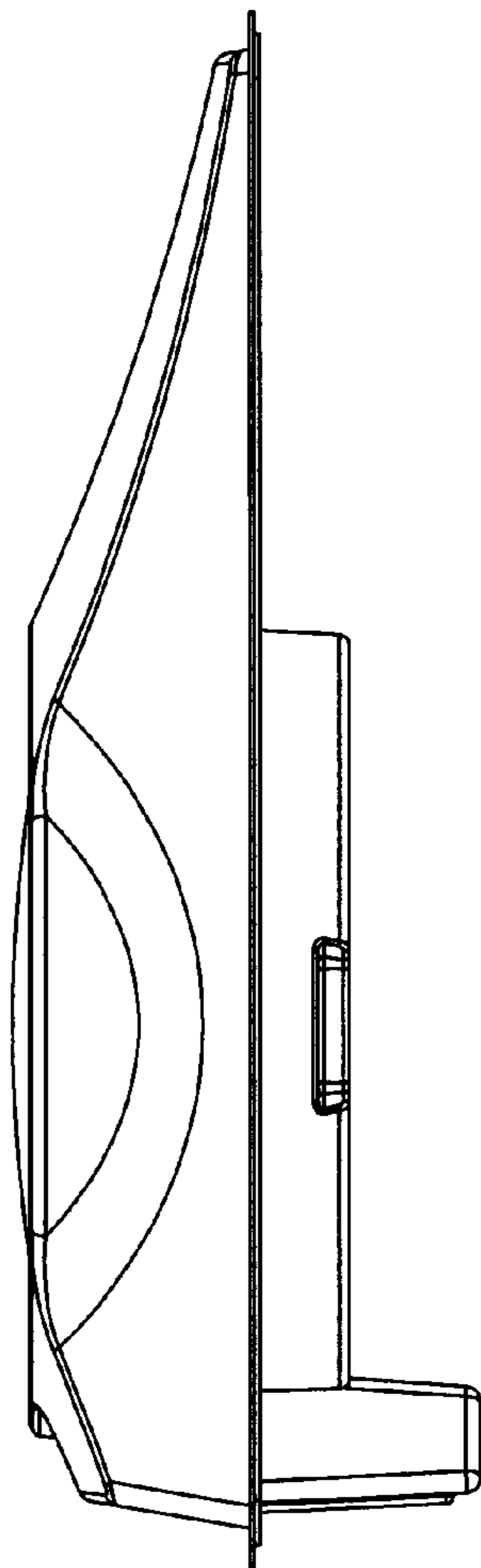


Figure 6

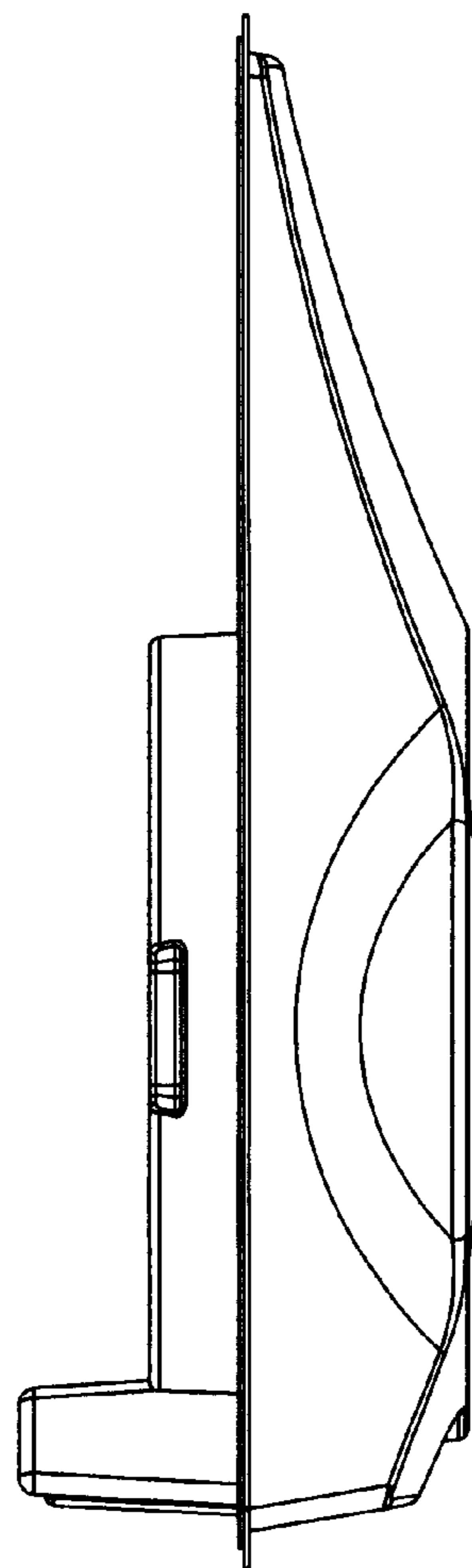


Figure 7