

US00D521860S

(12) **United States Design Patent**  
**Lee et al.**

(10) **Patent No.:** **US D521,860 S**  
(45) **Date of Patent:** **\*\* May 30, 2006**

(54) **PACKAGE**  
(75) Inventors: **Kendrew Lee**, Fremont, CA (US); **Noel Lee**, Las Vegas, NV (US)  
(73) Assignee: **Monster Cable Products, Inc.**, Brisbane, CA (US)  
(\*\*) Term: **14 Years**

D431,459 S \* 10/2000 Lee ..... D9/415  
D431,461 S \* 10/2000 Glassman ..... D9/415  
D474,023 S \* 5/2003 Vasudeva ..... D3/315

\* cited by examiner

*Primary Examiner*—Stella Reid  
*Assistant Examiner*—Derrick Holland  
(74) *Attorney, Agent, or Firm*—LaRiviere, Grubman & Payne, LLP

(21) Appl. No.: **29/220,541**  
(22) Filed: **Dec. 30, 2004**

(57) **CLAIM**

The ornamental design for a package, as shown and described.

(51) **LOC (8) Cl.** ..... **09-03**  
(52) **U.S. Cl.** ..... **D9/415**  
(58) **Field of Classification Search** ..... D9/415,  
D9/414, 418, 424, 457; 206/461–471, 495,  
206/806  
See application file for complete search history.

**DESCRIPTION**

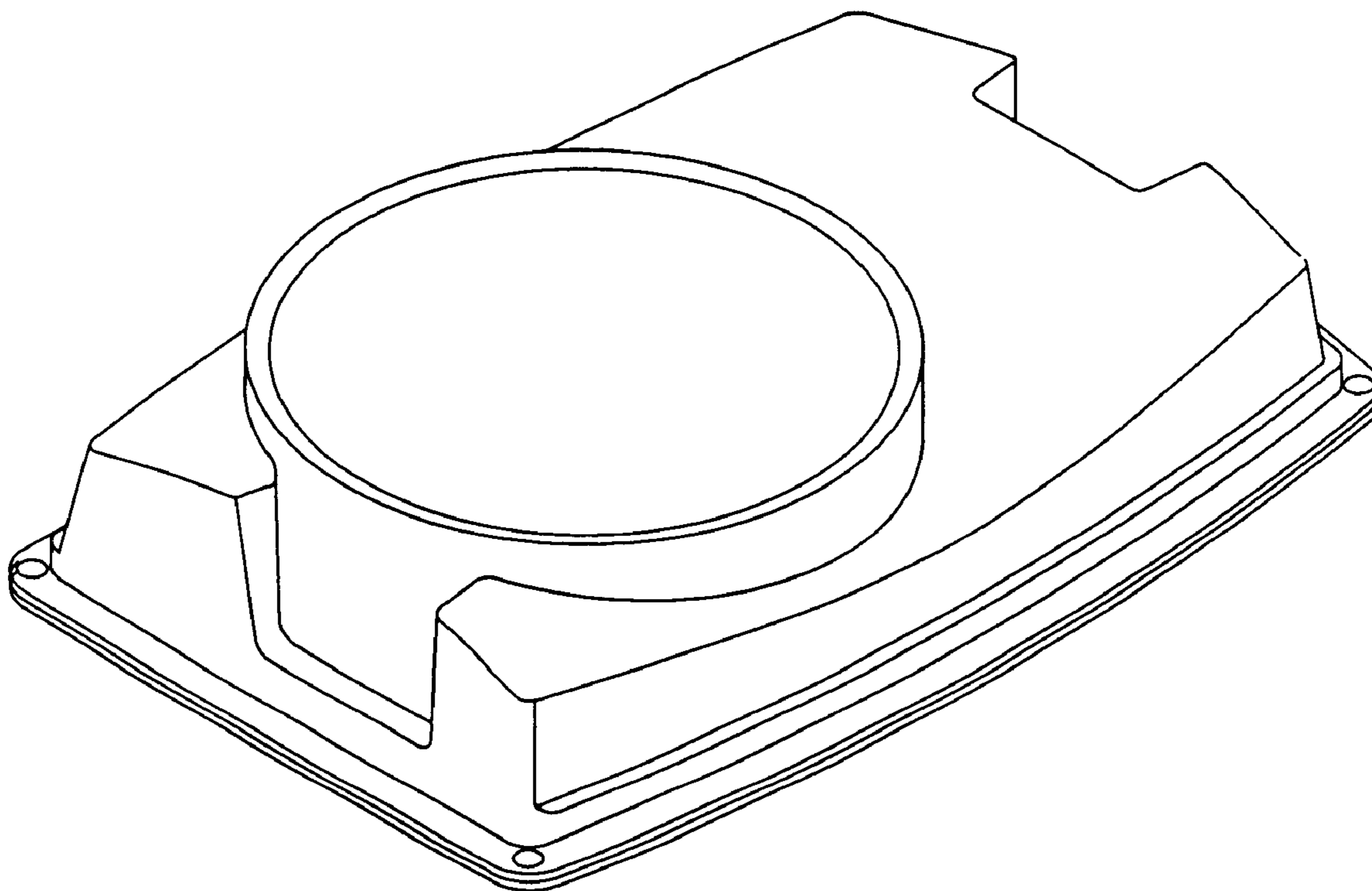
FIG. 1 is a perspective view of a package, showing my new design;  
FIG. 2 is a front view thereof;  
FIG. 3 is a bottom view thereof;  
FIG. 4 is a rear view thereof;  
FIG. 5 is a top view thereof;  
FIG. 6 is a side view thereof; and,  
FIG. 7 is an opposing side view thereof.

(56) **References Cited**

U.S. PATENT DOCUMENTS

4,742,912 A \* 5/1988 Lee ..... 206/459.5  
D306,561 S \* 3/1990 Lee ..... D9/415  
D400,096 S \* 10/1998 Lee ..... D9/415

**1 Claim, 4 Drawing Sheets**



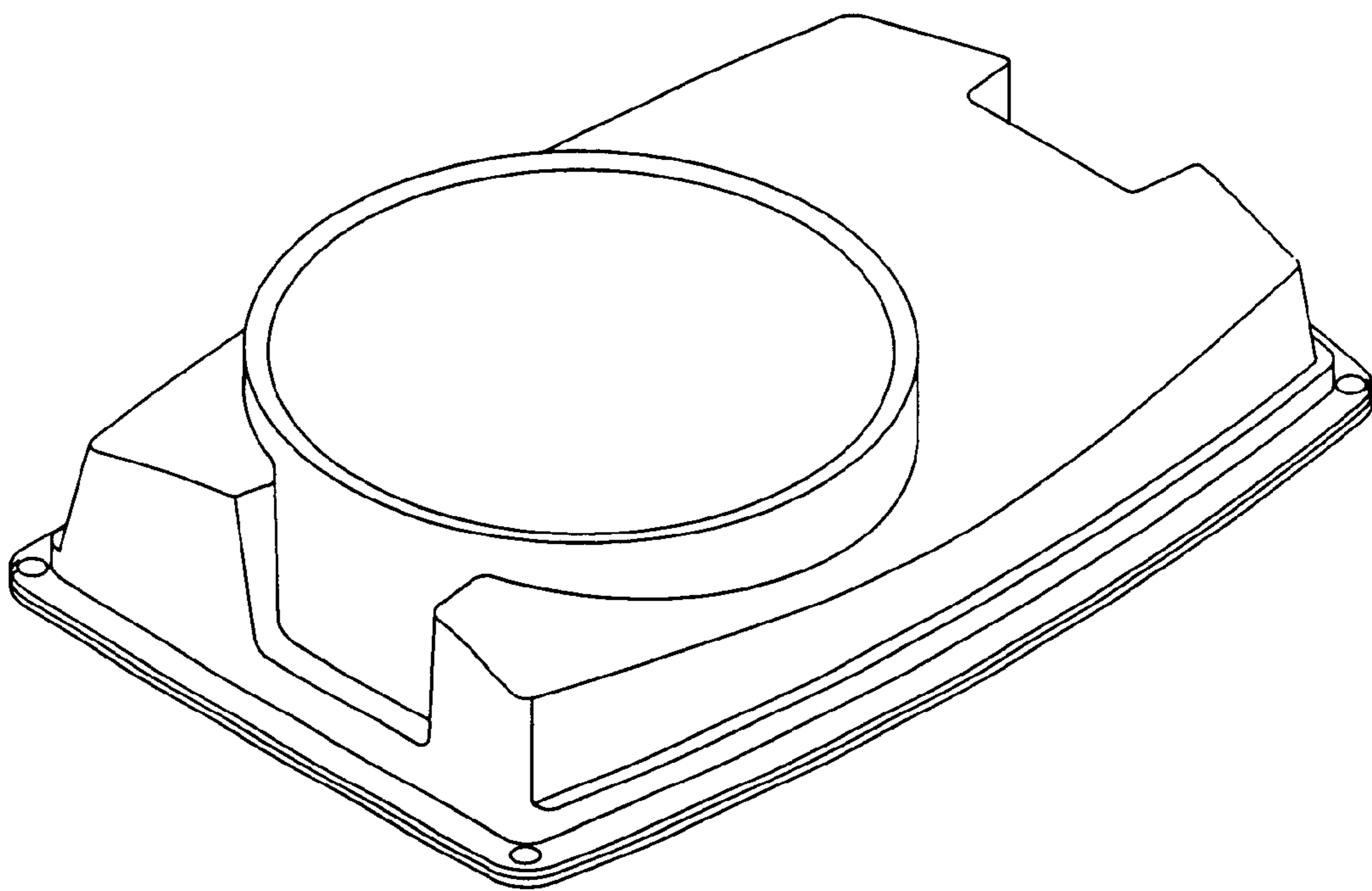


Figure 1

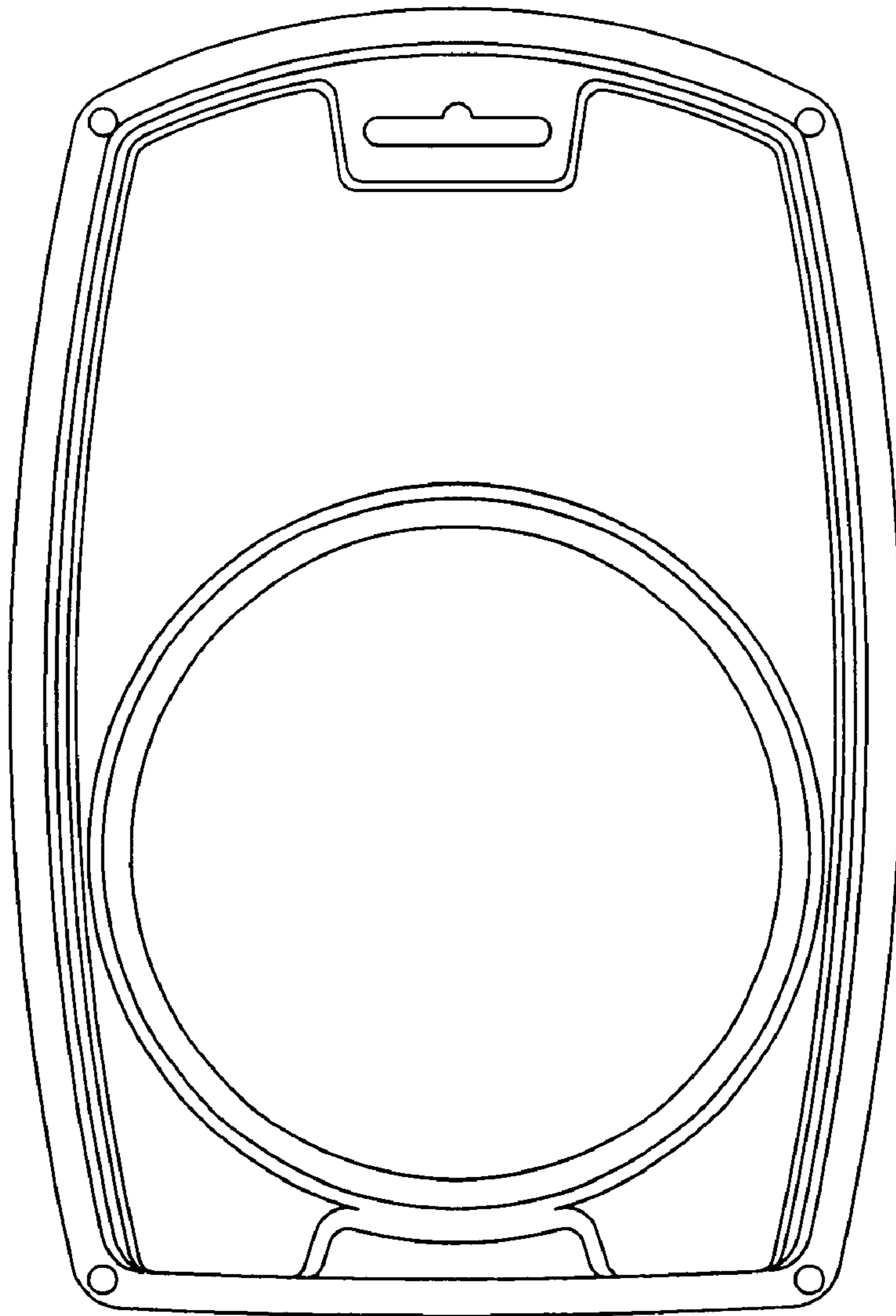


Figure 2

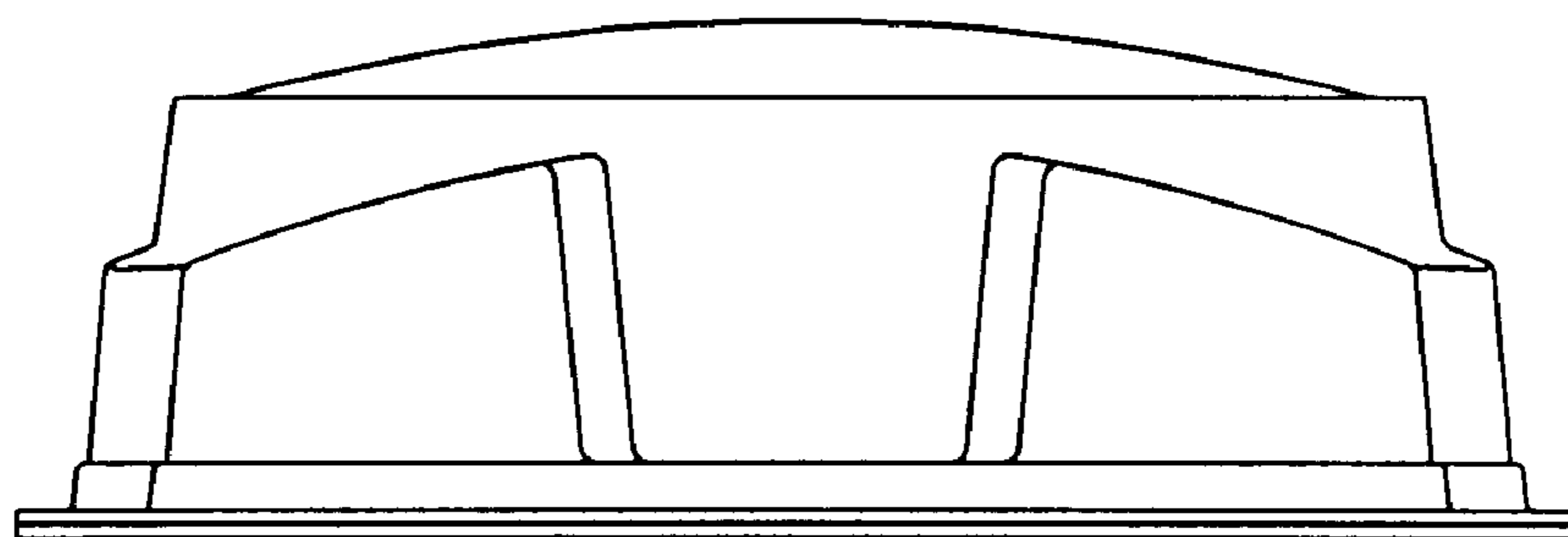


Figure 3

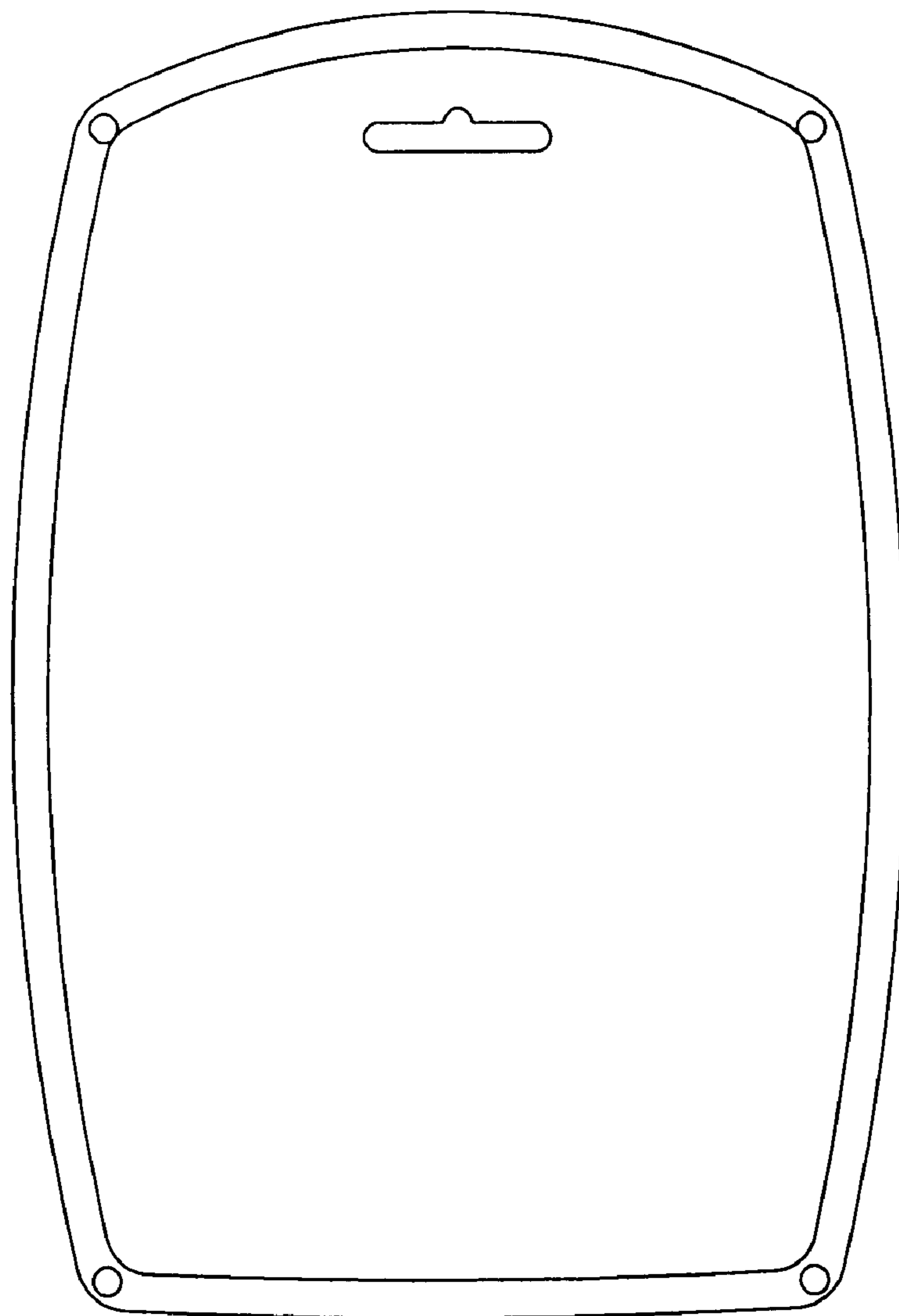


Figure 4

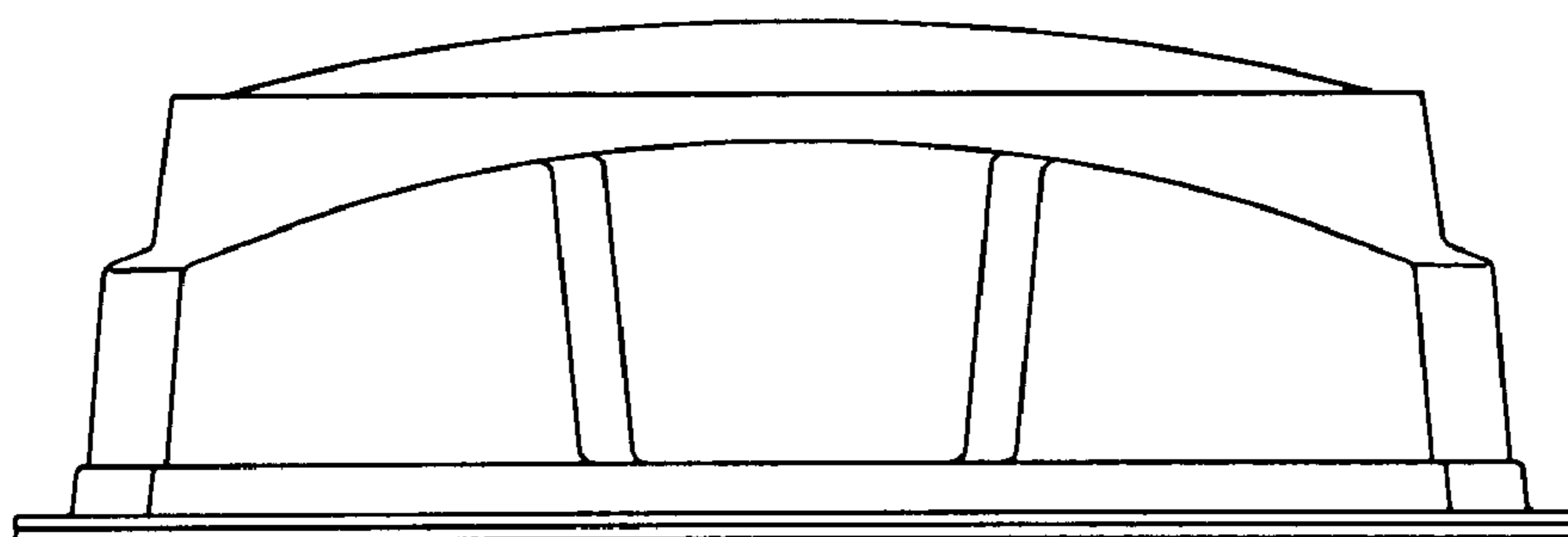


Figure 5

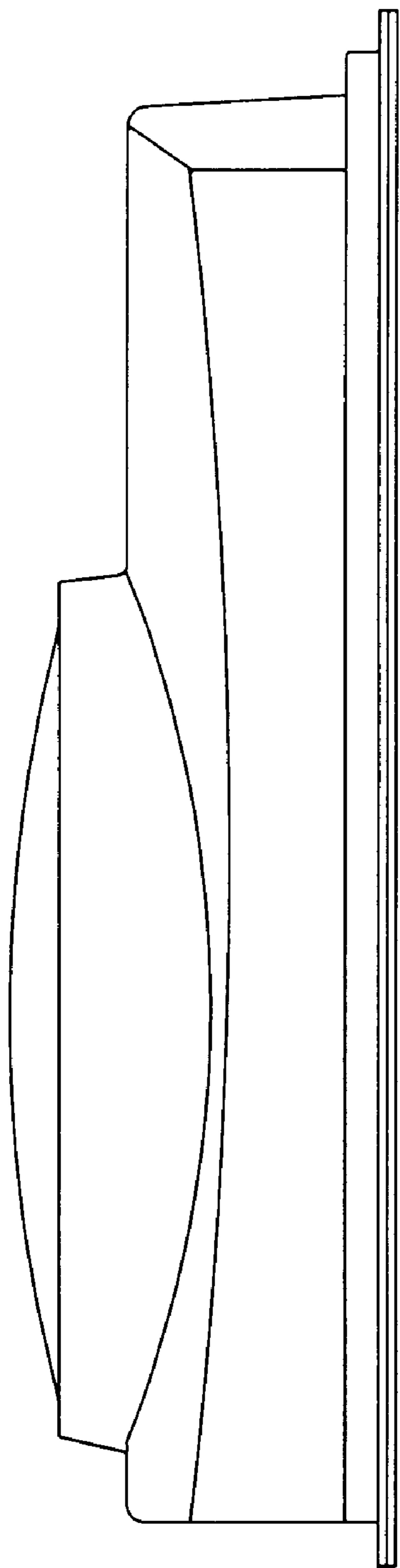


Figure 6

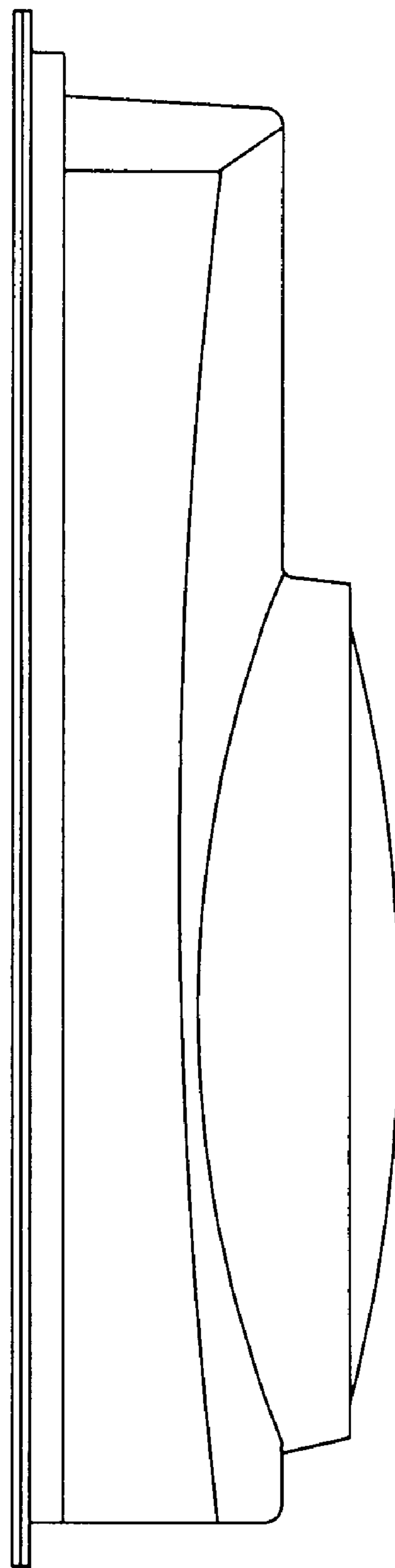


Figure 7