

US00D521858S

(12) **United States Design Patent**
Roy

(10) **Patent No.:** **US D521,858 S**

(45) **Date of Patent:** **** May 30, 2006**

(54) **STUD SUPPORT**

(76) Inventor: **Donald J. Roy**, 56 Cardinal La.,
Westfield, MA (US) 01085

(**) Term: **14 Years**

(21) Appl. No.: **29/190,303**

(22) Filed: **Sep. 17, 2003**

(51) **LOC (8) Cl.** **08-08**

(52) **U.S. Cl.** **D8/397**

(58) **Field of Classification Search** D8/354,
D8/382, 397; 52/585.1, 285.2; 403/405; 411/429;
138/30

See application file for complete search history.

D319,005 S	*	8/1991	Sakayori et al.	D8/397
D332,568 S	*	1/1993	Ozawa	D8/397
D385,777 S	*	11/1997	Vallery	D8/397
D420,897 S	*	2/2000	Fuller et al.	D8/397
D459,207 S	*	6/2002	Miyata	D8/397
D469,345 S	*	1/2003	Berry et al.	D8/397
D484,785 S	*	1/2004	Plumer	D8/397
D488,715 S	*	4/2004	Plumer	D8/397

* cited by examiner

Primary Examiner—Holly H. Baynham

(74) *Attorney, Agent, or Firm*—McCormick, Paulding & Huber LLP

(57) **CLAIM**

The ornamental design for a stud support, as shown and described.

(56) **References Cited**

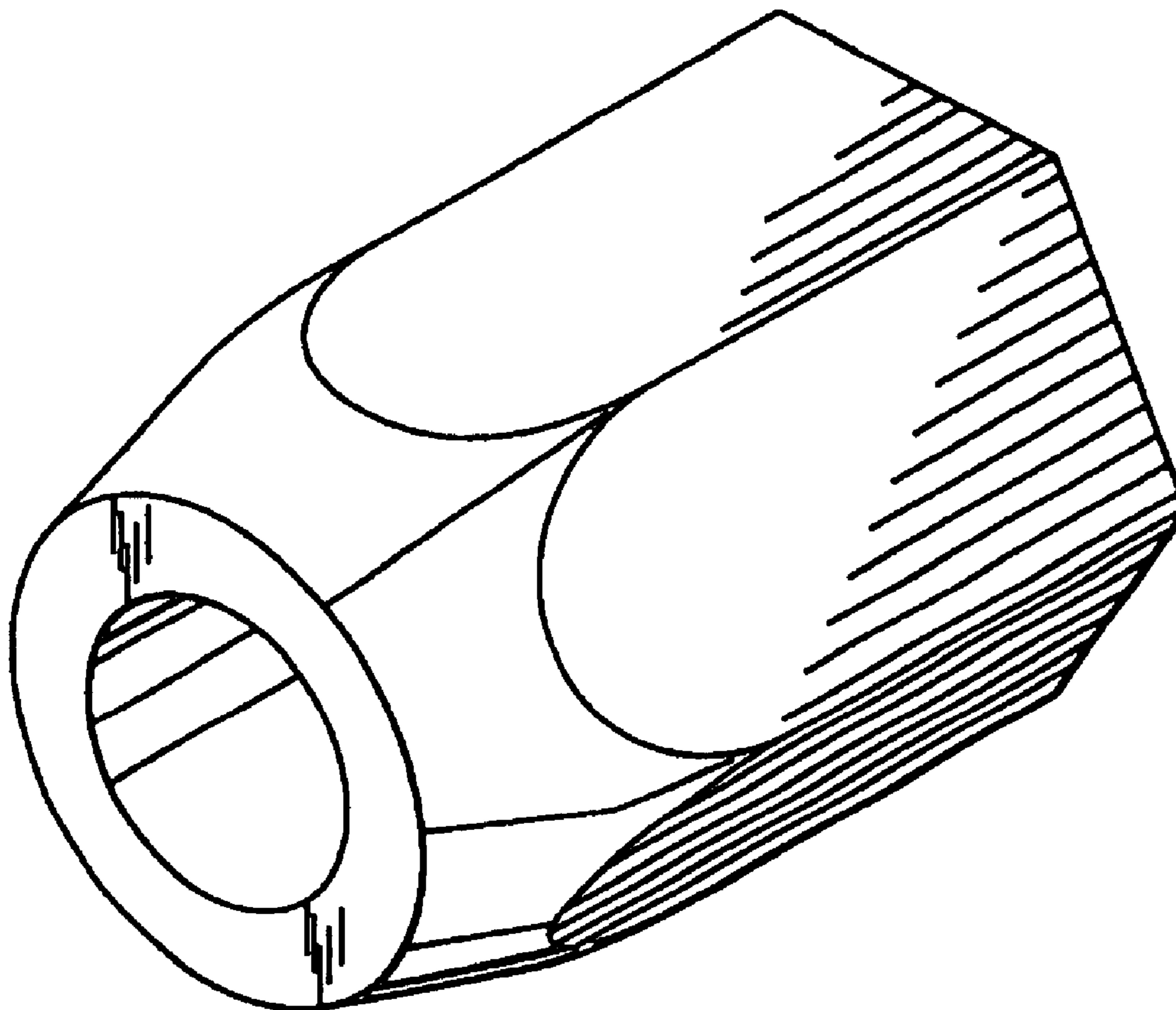
U.S. PATENT DOCUMENTS

D208,429 S	*	8/1967	Holliday	D8/397
3,929,163 A	*	12/1975	Schon	138/30
D242,219 S	*	11/1976	Ono	D8/397
4,018,133 A	*	4/1977	Chaivre et al.	411/429
D252,184 S	*	6/1979	Akamatsu	D8/397
D254,291 S	*	2/1980	Ono	D8/397
D262,354 S	*	12/1981	Kishida	D8/397
D268,565 S	*	4/1983	Mortus	D8/397

DESCRIPTION

FIG. 1 is a perspective view of a stud support showing my new design;
FIG. 2 is a left side view thereof;
FIG. 3 is a bottom view thereof;
FIG. 4 is a right side view thereof; and,
FIG. 5 is a top view thereof.

1 Claim, 1 Drawing Sheet



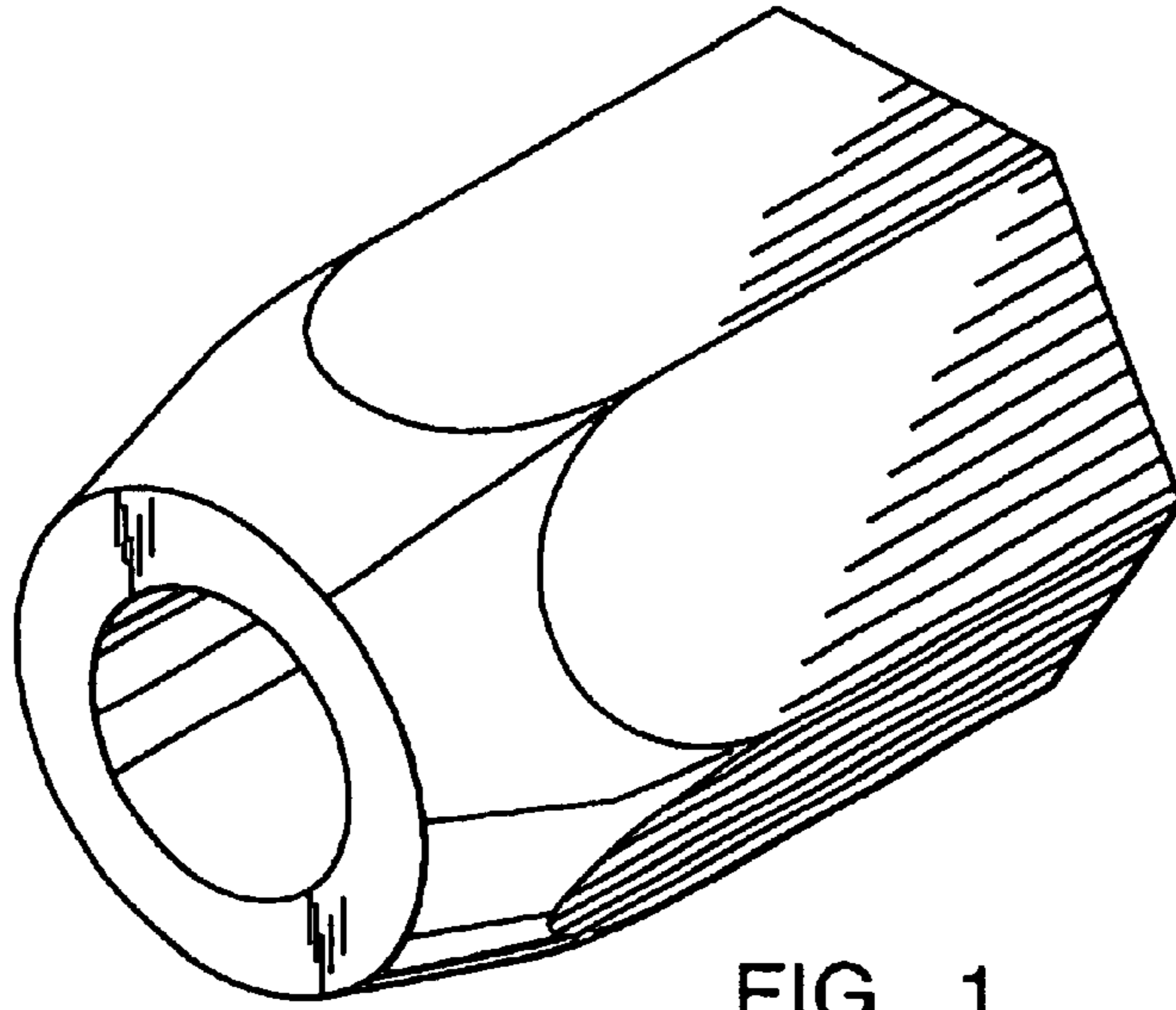


FIG. 1

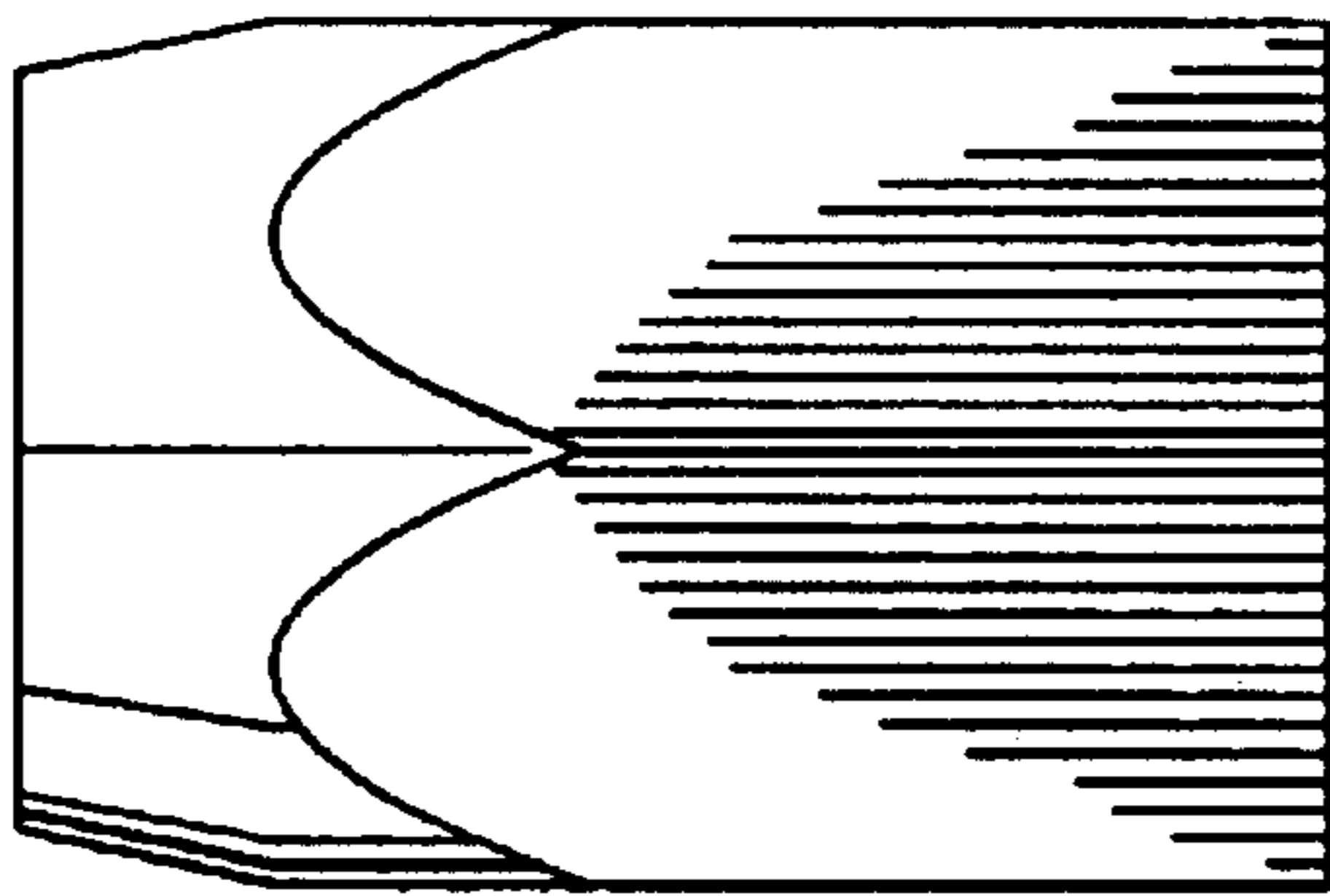


FIG. 2

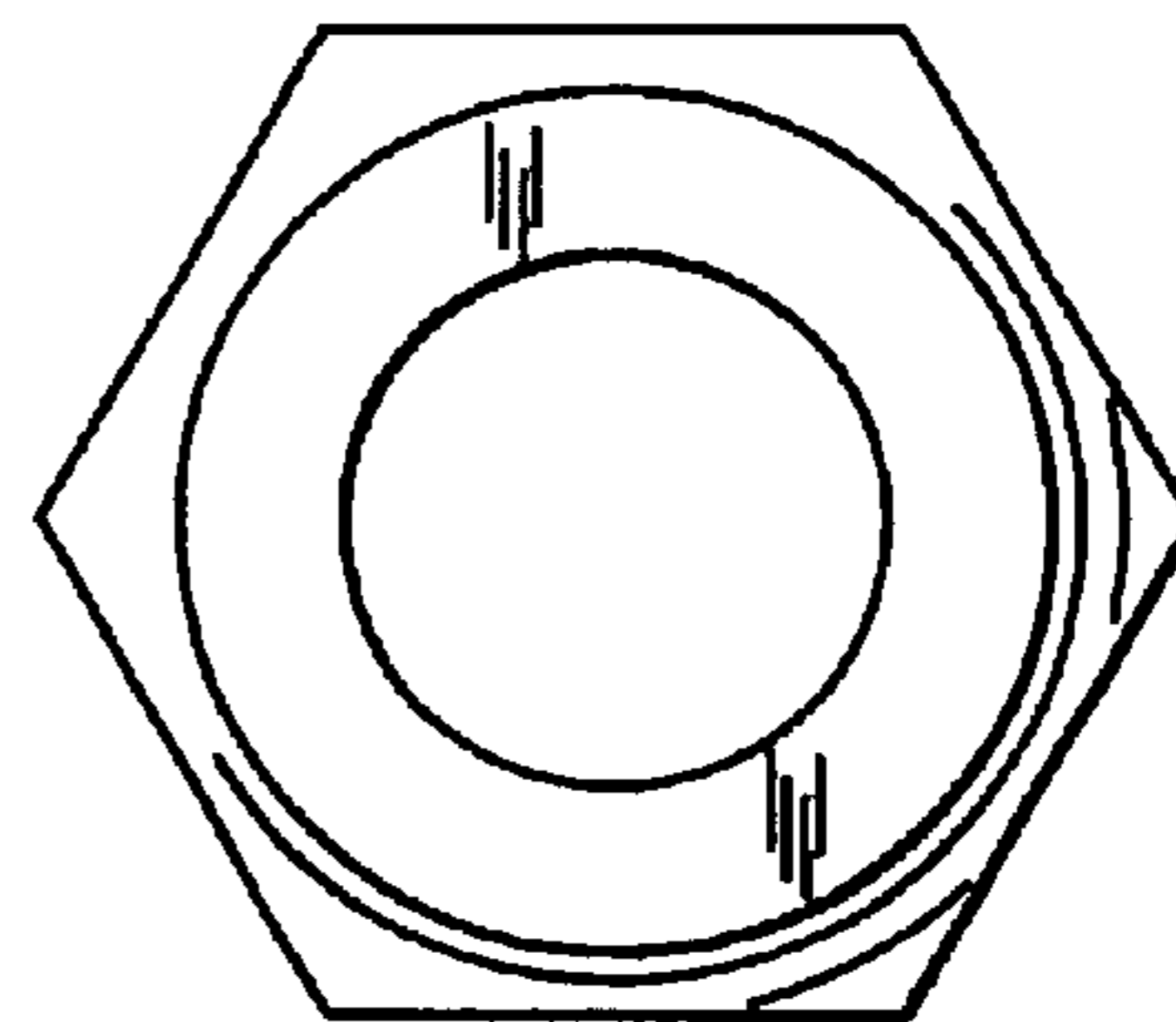


FIG. 3

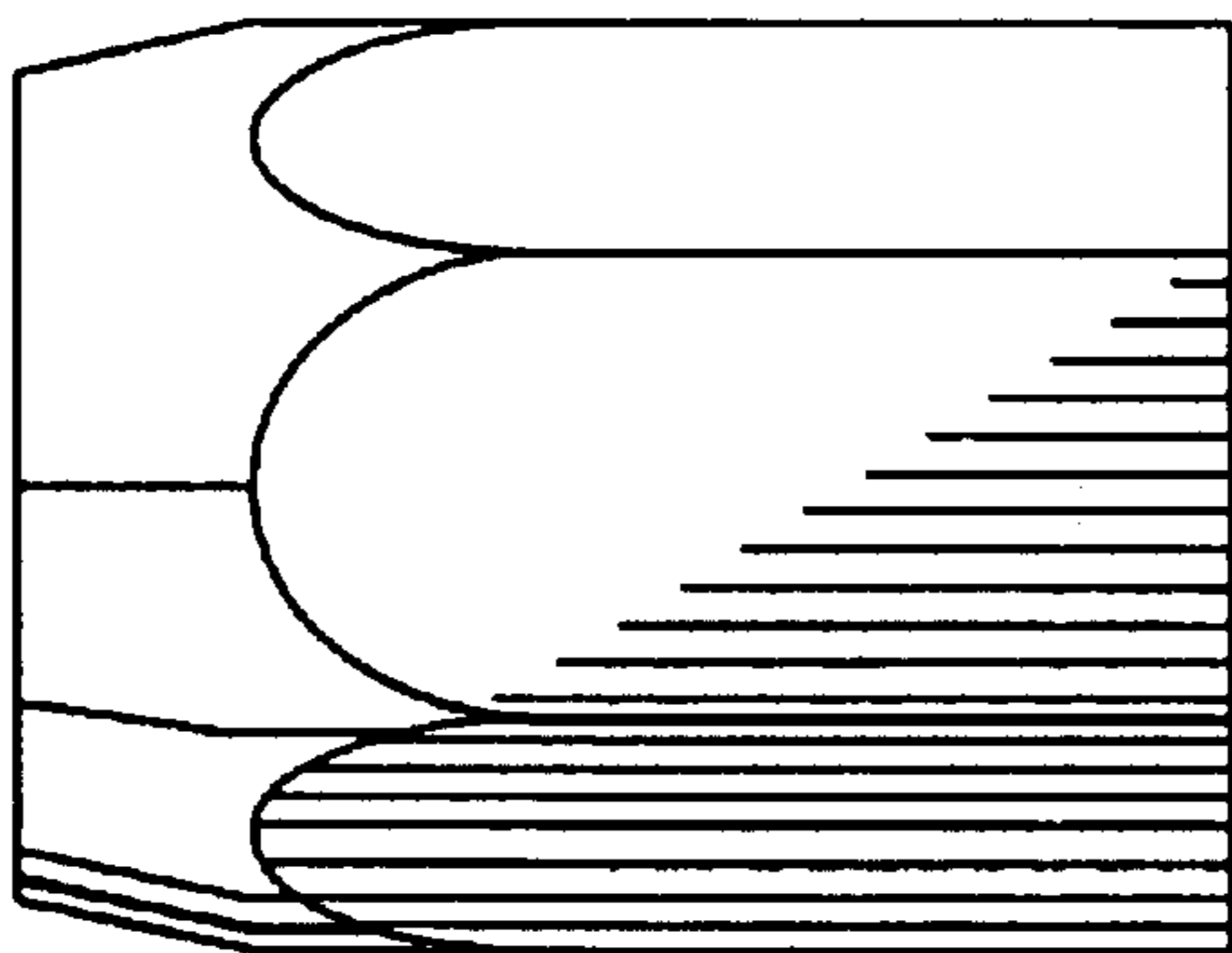


FIG. 4

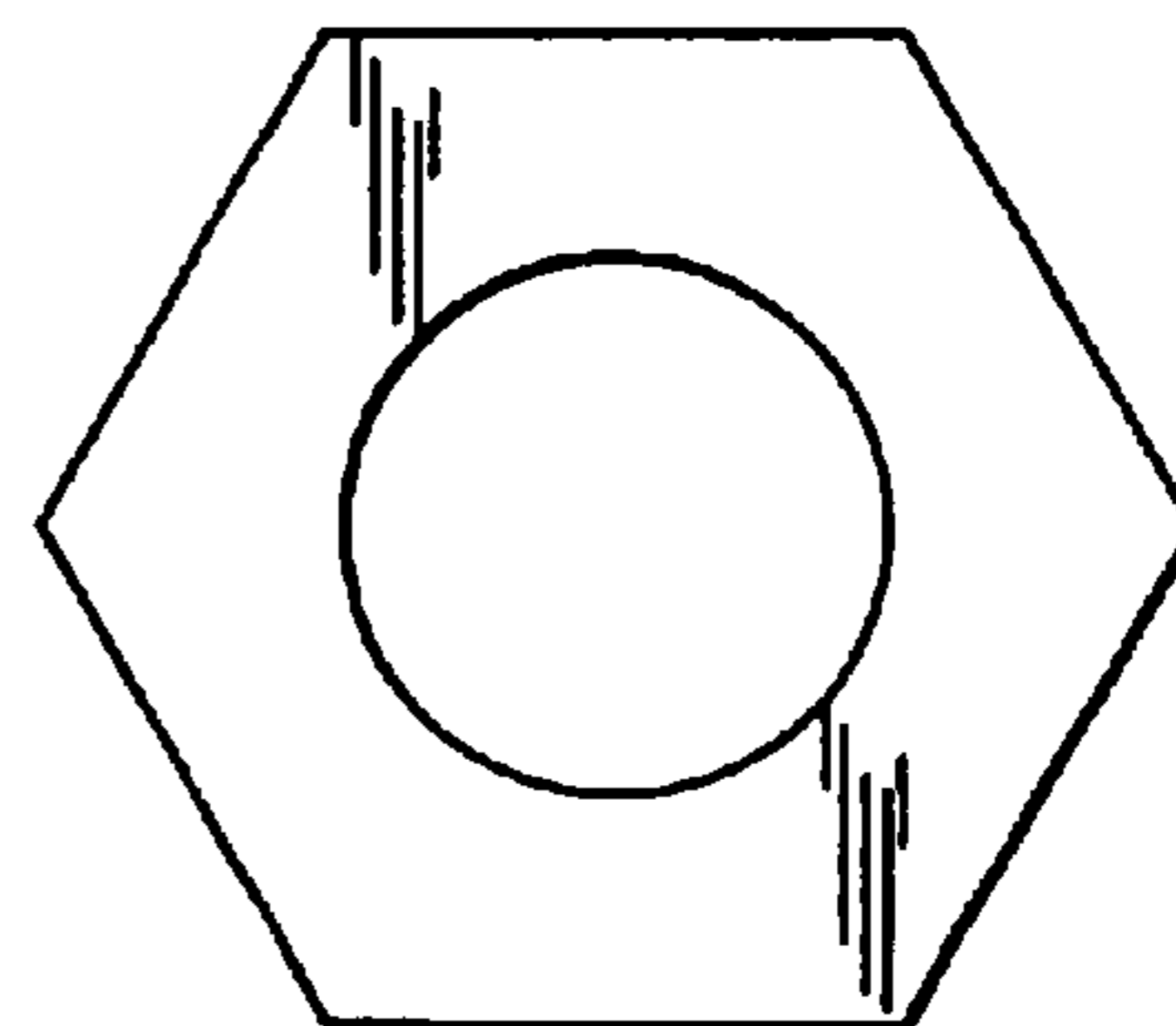


FIG. 5