

US00D521856S

(12) **United States Design Patent**
Waler et al.

(10) **Patent No.:** **US D521,856 S**

(45) **Date of Patent:** **** May 30, 2006**

(54) **DRAPE CLIP**

(75) Inventors: **Luke Waler**, Fort Collins, CO (US);
Mark J. Huseman, Broomfield, CO (US)

(73) Assignee: **Sherwood Services AG**, Schaffhausen (CH)

(**) Term: **14 Years**

(21) Appl. No.: **29/226,720**

(22) Filed: **Mar. 31, 2005**

(51) **LOC (8) Cl.** **08-08**

(52) **U.S. Cl.** **D8/394**

(58) **Field of Classification Search** D8/356,
D8/371, 394-396, 499, 53, 100, 365; D12/51;
D19/65, 90; D28/39, 40, 42; 24/546, 563,
24/327, 334, DIG. 8, DIG. 9, DIG. 13, DIG. 28;
248/74.2, 300, 301, 316.7, 229.26
See application file for complete search history.

(56) **References Cited**

U.S. PATENT DOCUMENTS

2,471,606	A	5/1949	Burns	
3,456,262	A	7/1969	Coon	
3,896,527	A *	7/1975	Miller et al.	24/499
4,605,990	A	8/1986	Wilder et al.	
D298,703	S	11/1988	Arnold	
D316,333	S	4/1991	Maki	
5,075,935	A	12/1991	Abdi	
5,308,337	A *	5/1994	Bingisser	604/174
5,318,292	A	6/1994	De Marco	
5,402,558	A	4/1995	Santapa	
D365,017	S *	12/1995	Rohrig	D8/394
D386,076	S *	11/1997	Moore	D8/394
5,713,912	A *	2/1998	Porter	606/158
D424,419	S *	5/2000	Avinger	D8/395

D438,094	S *	2/2001	Ishii	D8/396
D450,570	S *	11/2001	Murata	D8/394
D452,139	S *	12/2001	Murata	D8/394

FOREIGN PATENT DOCUMENTS

GB 1190488 5/1970

* cited by examiner

Primary Examiner—Louis S. Zarfes
Assistant Examiner—John Windmuller

(57) **CLAIM**

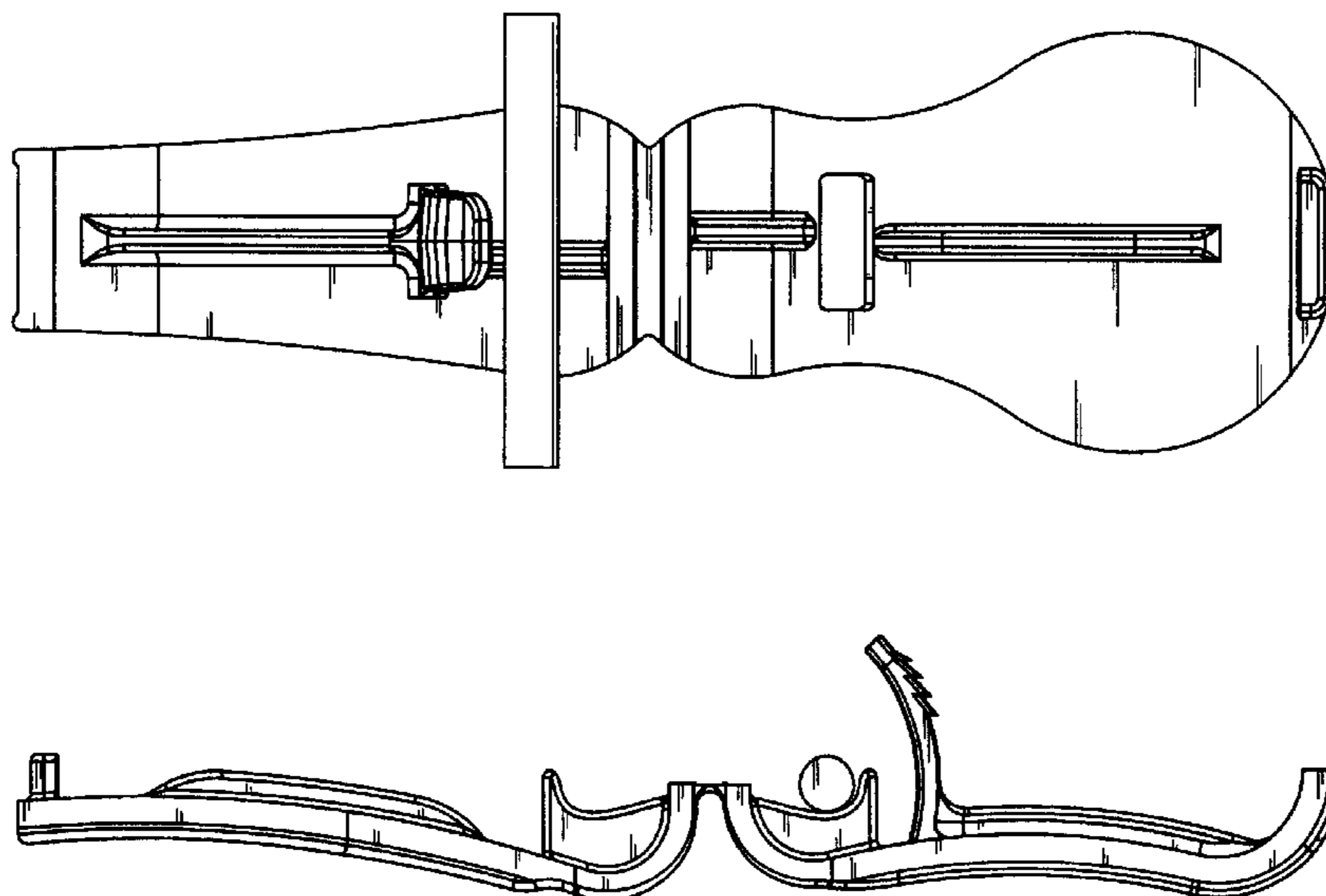
The ornamental design for a drape clip, as shown and described.

DESCRIPTION

FIG. 1 is a top, perspective view of a drape clip shown in open position showing our new design; FIG. 2 is a bottom perspective view thereof; FIG. 3 is a top plan view thereof; FIG. 4 is a bottom plan view thereof; FIG. 5 is a right side elevational view thereof; FIG. 6 is a left side elevational view thereof; FIG. 7 is a rear elevational view thereof; FIG. 8 is a front elevational view thereof; FIG. 9 is a top, perspective view of the drape clip of FIG. 1 shown in closed position; FIG. 10 is a bottom perspective view thereof; FIG. 11 is a top plan view thereof; FIG. 12 is a bottom plan view thereof; FIG. 13 is a right side elevational view thereof; FIG. 14 is a left side elevational view thereof; FIG. 15 is a rear elevational view thereof; and, FIG. 16 is a front elevational view thereof.

The broken line showing of a circular logo is for illustrative purposes only and forms no part of the claimed design.

1 Claim, 8 Drawing Sheets



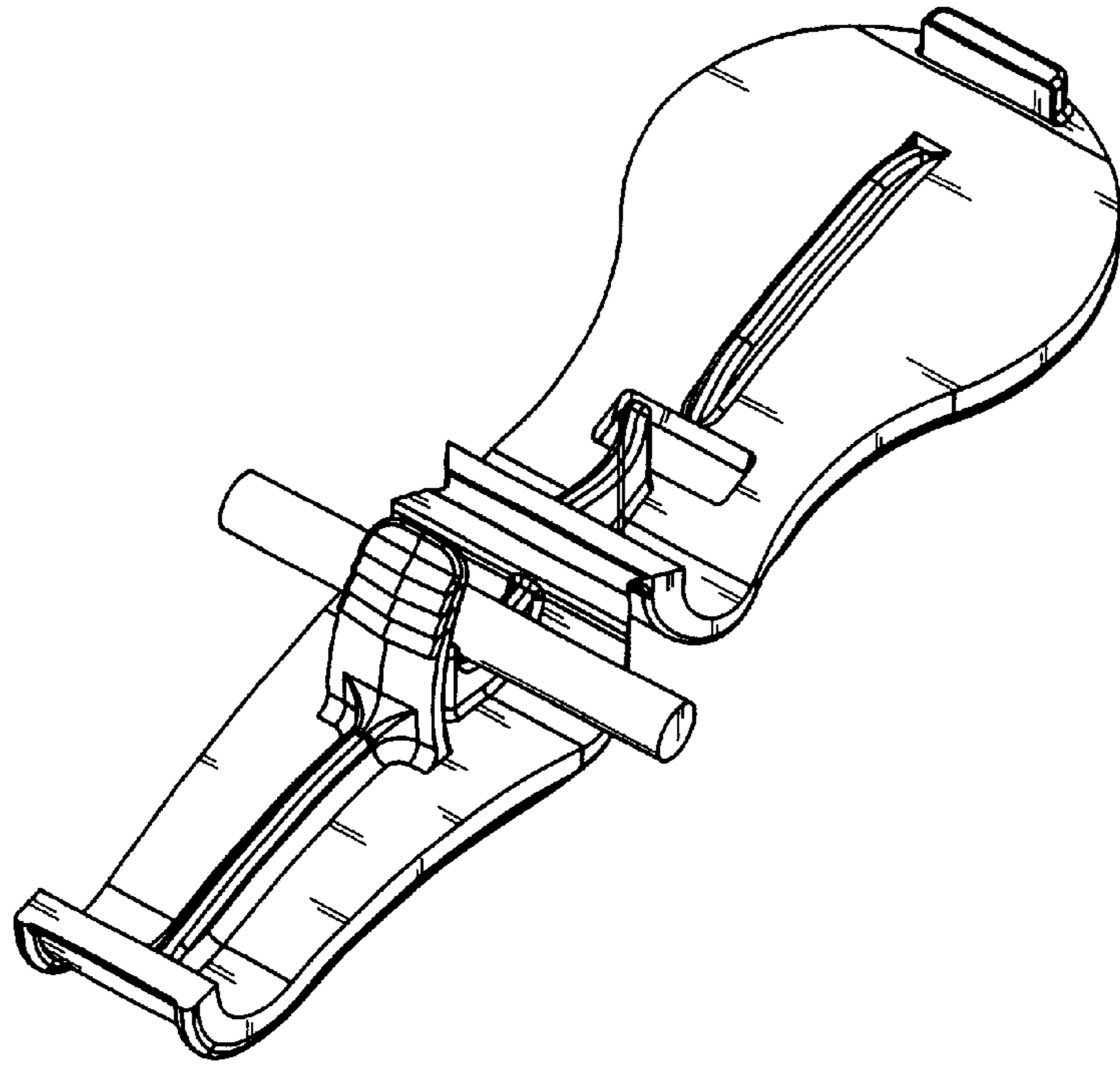


FIG. 1

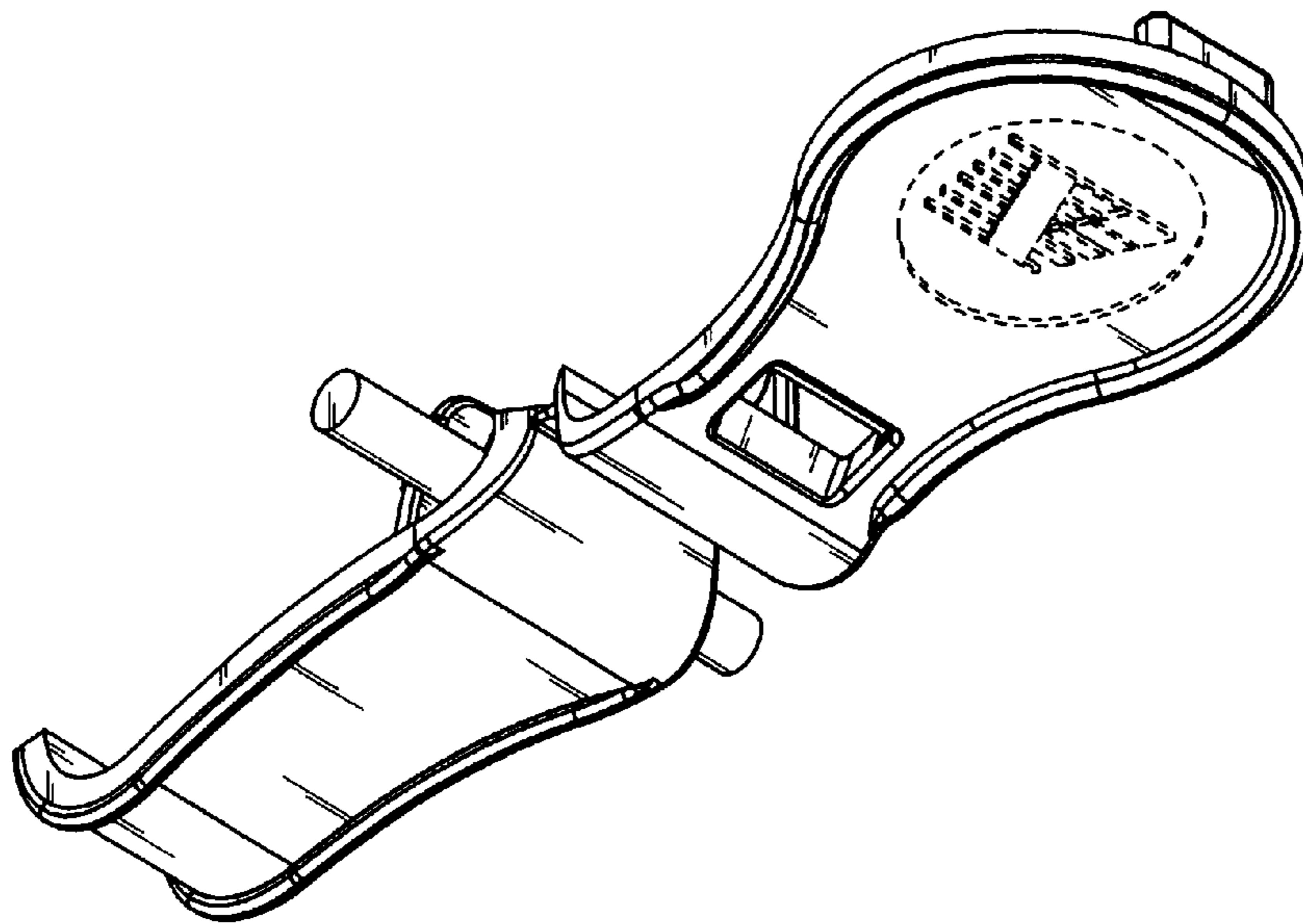


FIG. 2

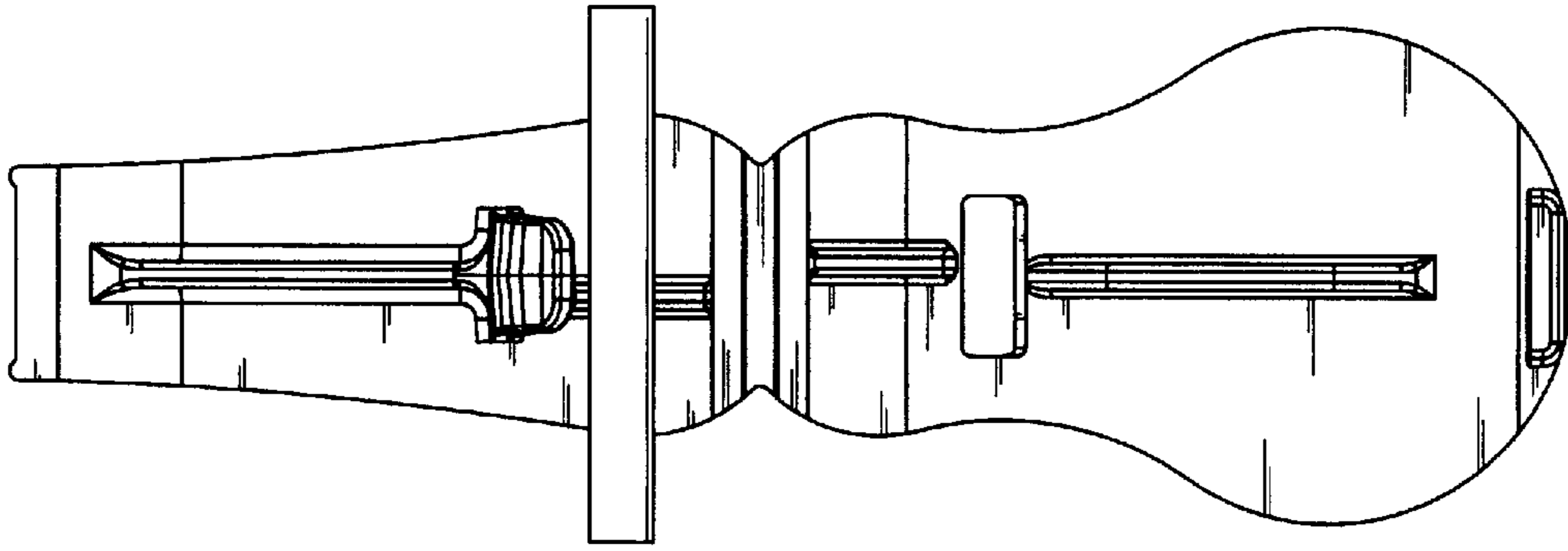


FIG. 3

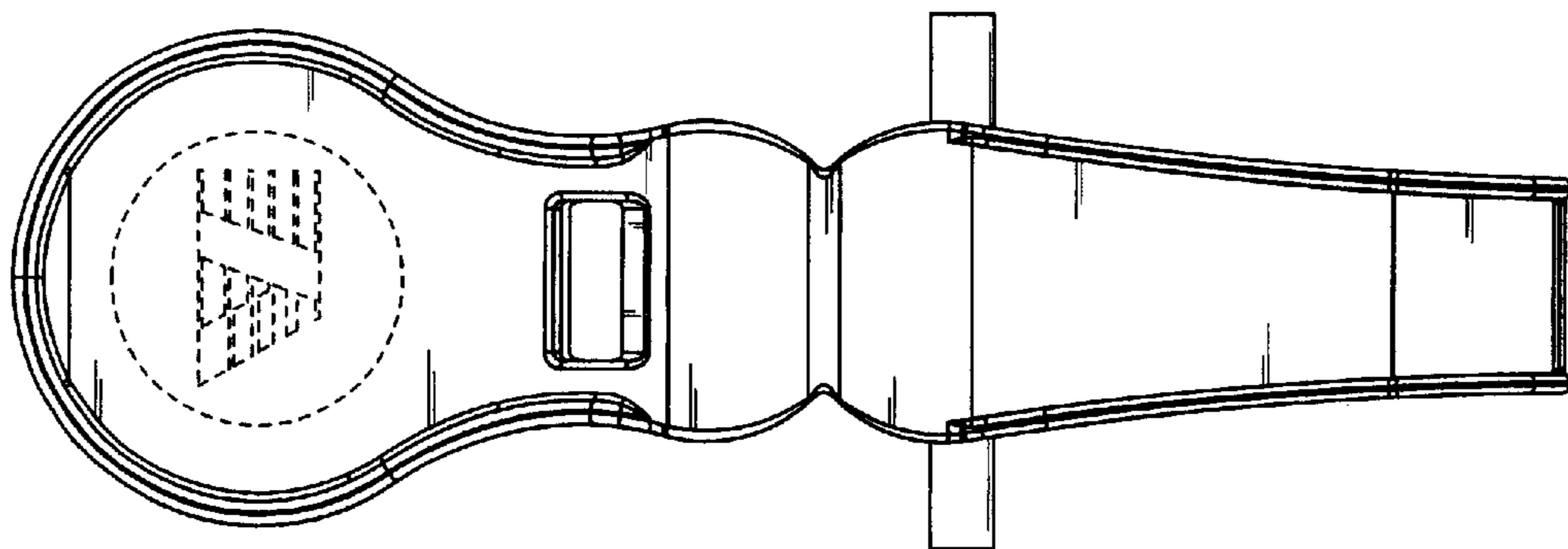


FIG. 4

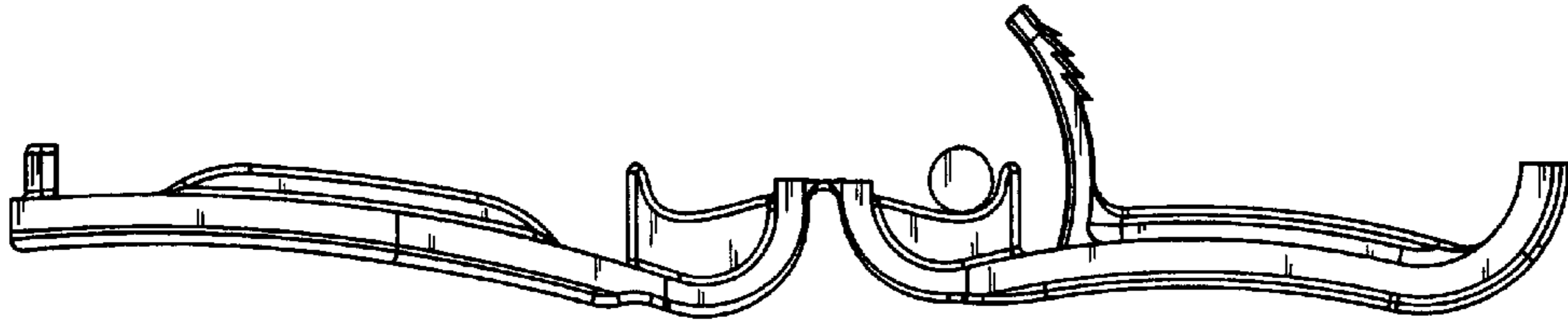


FIG. 5

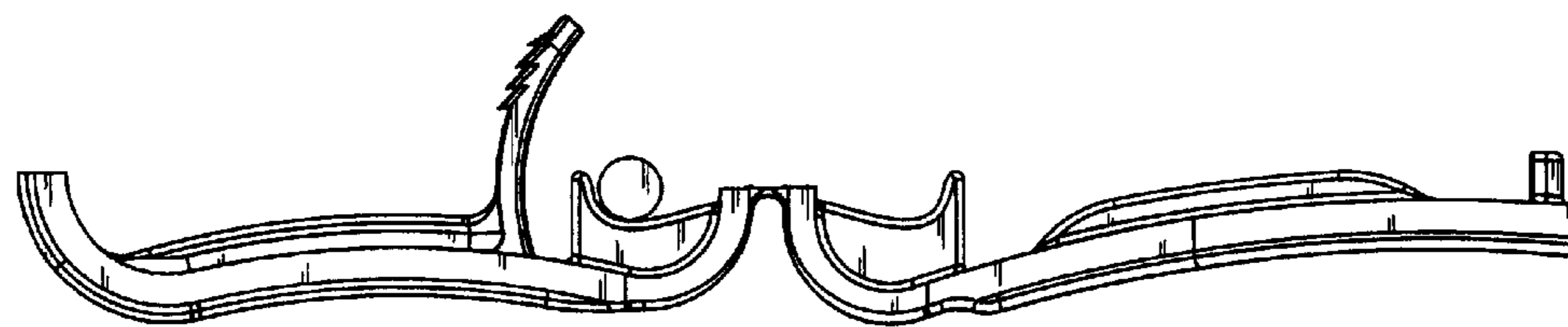


FIG. 6

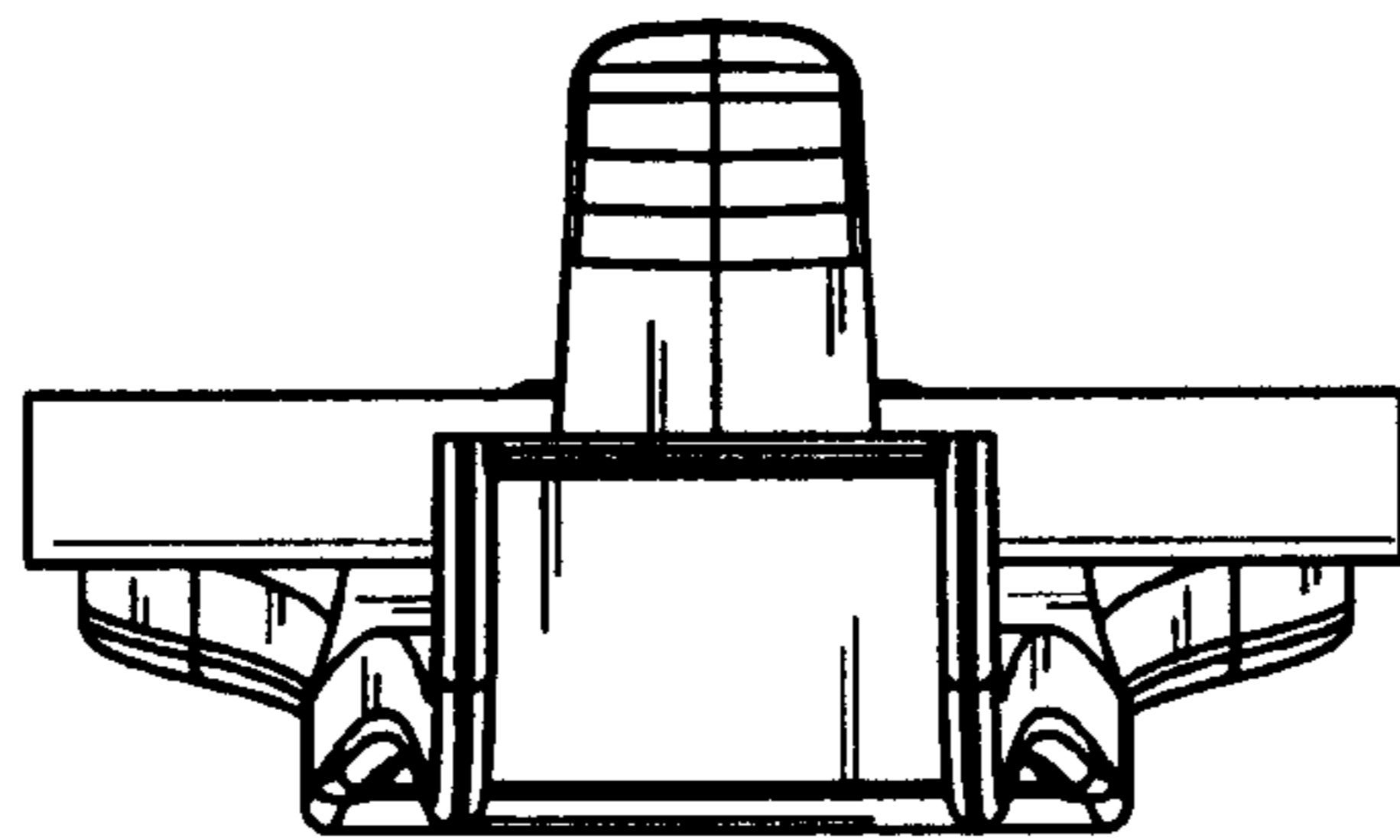


FIG. 7

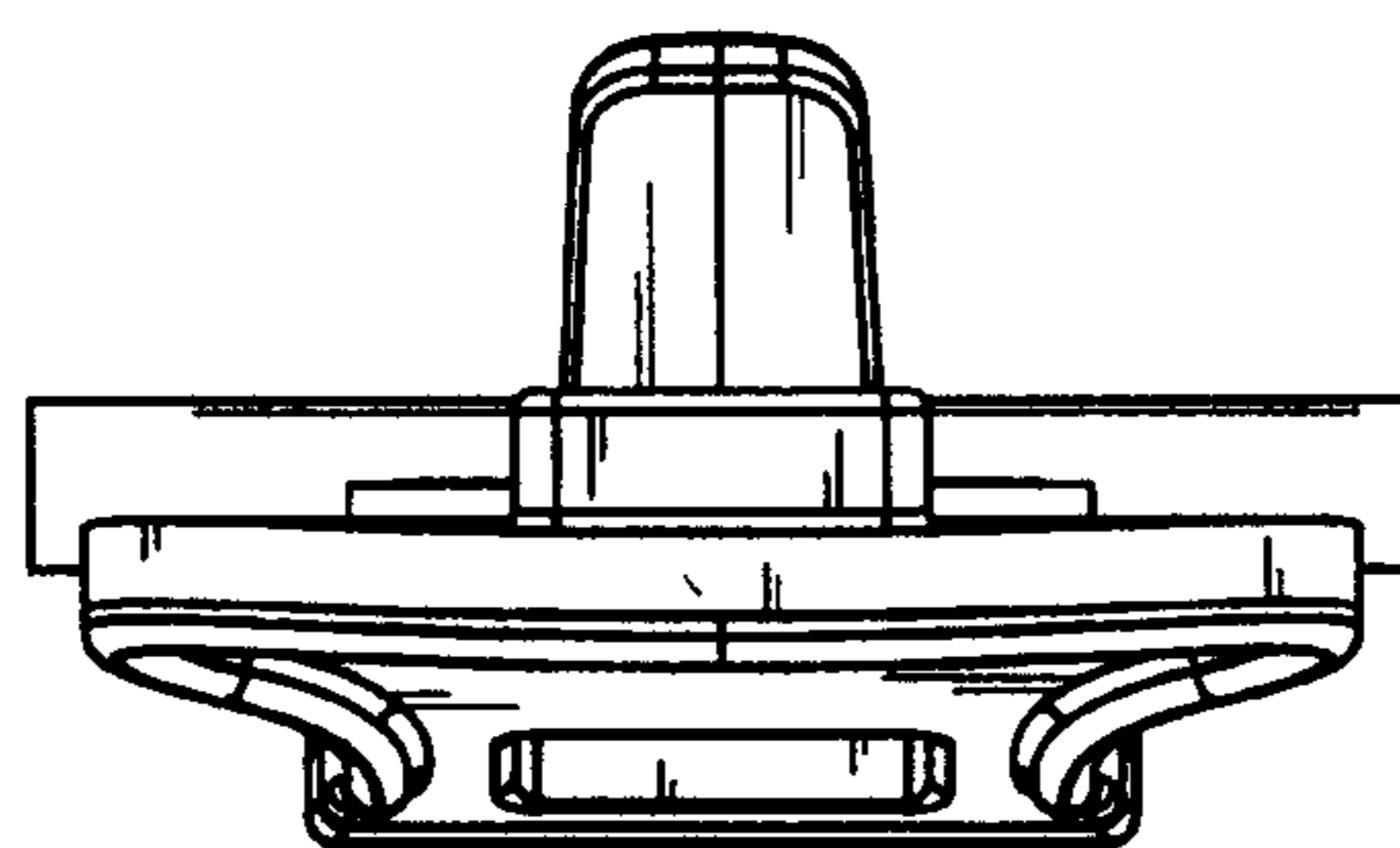


FIG. 8

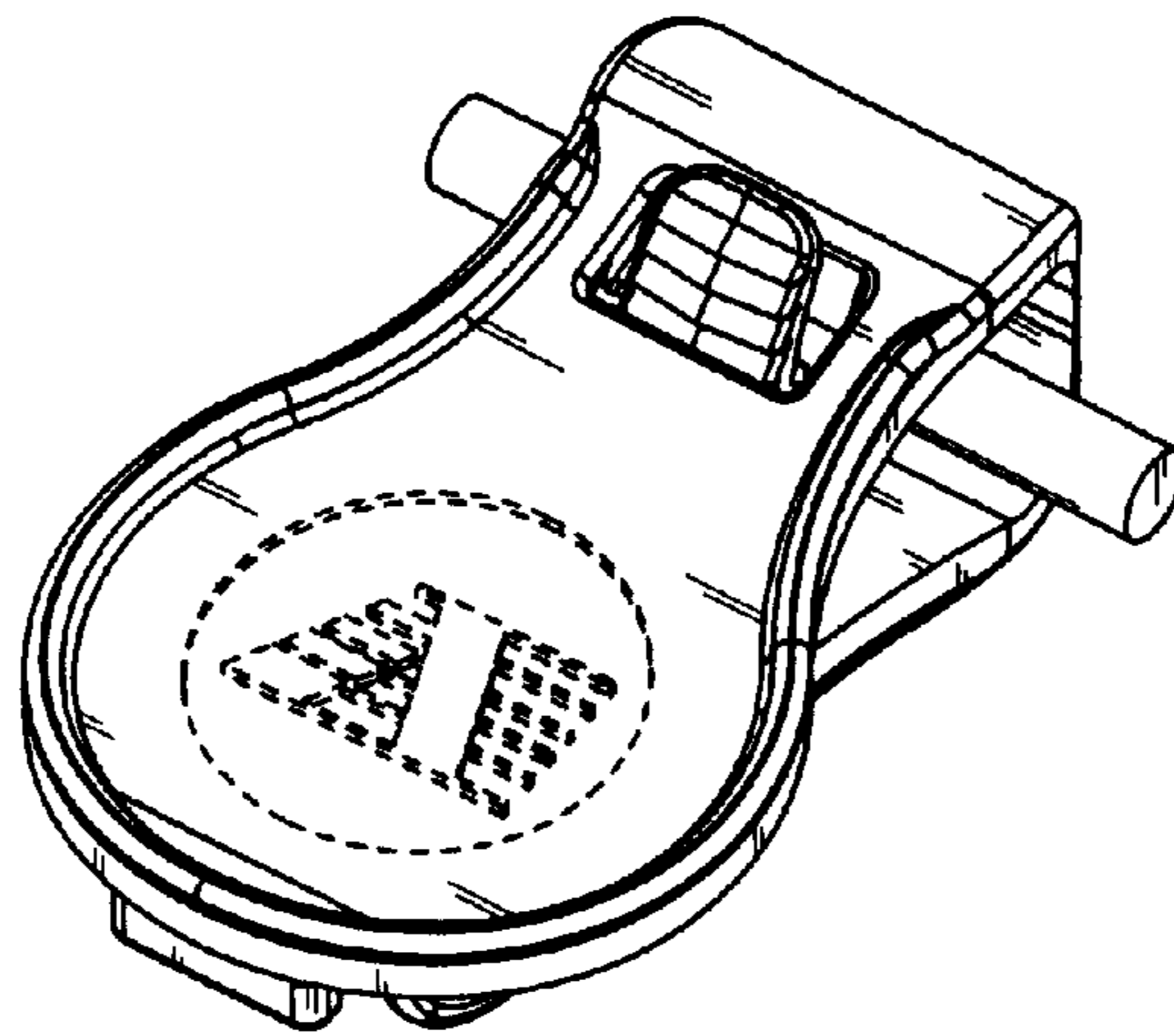


FIG. 9

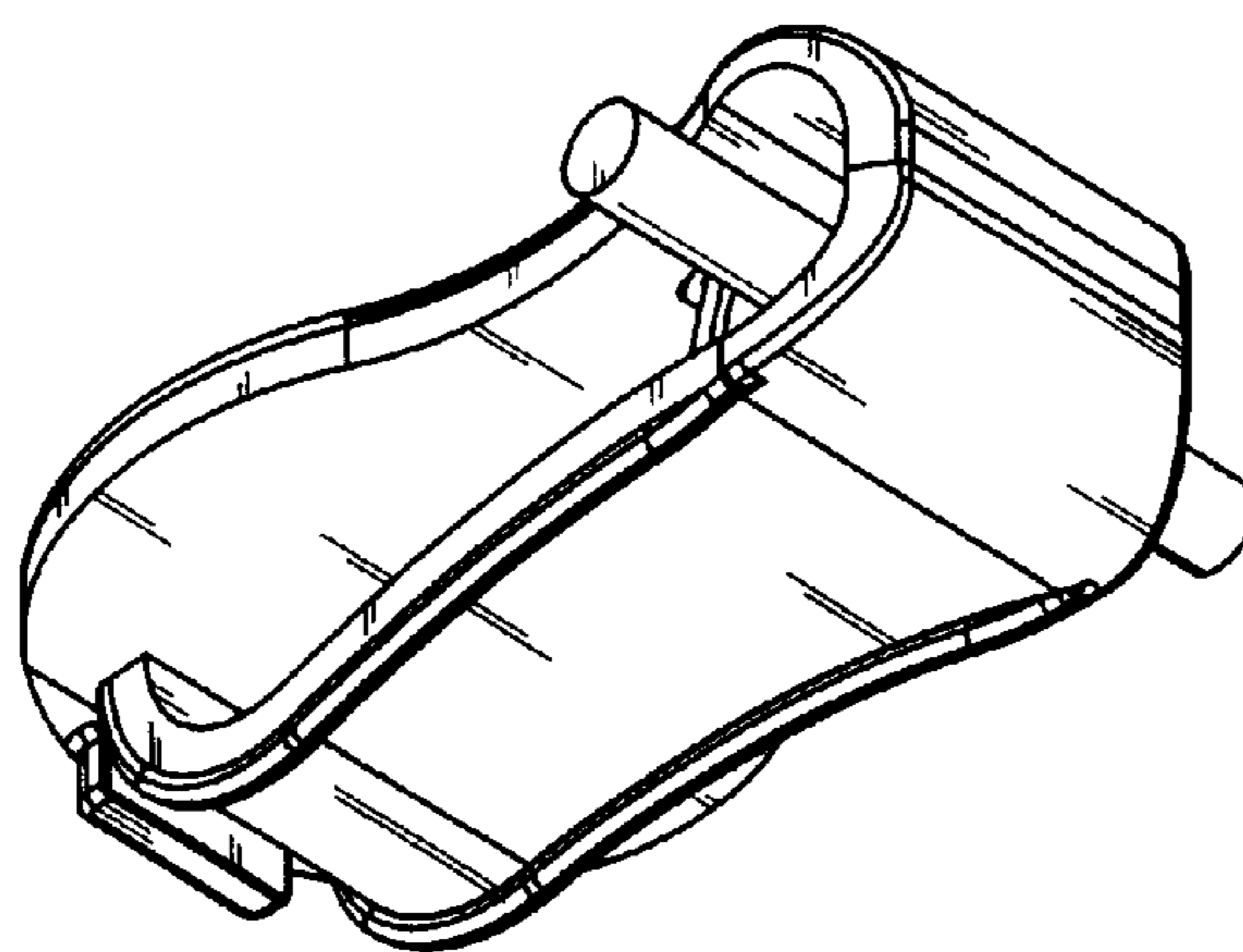


FIG. 10

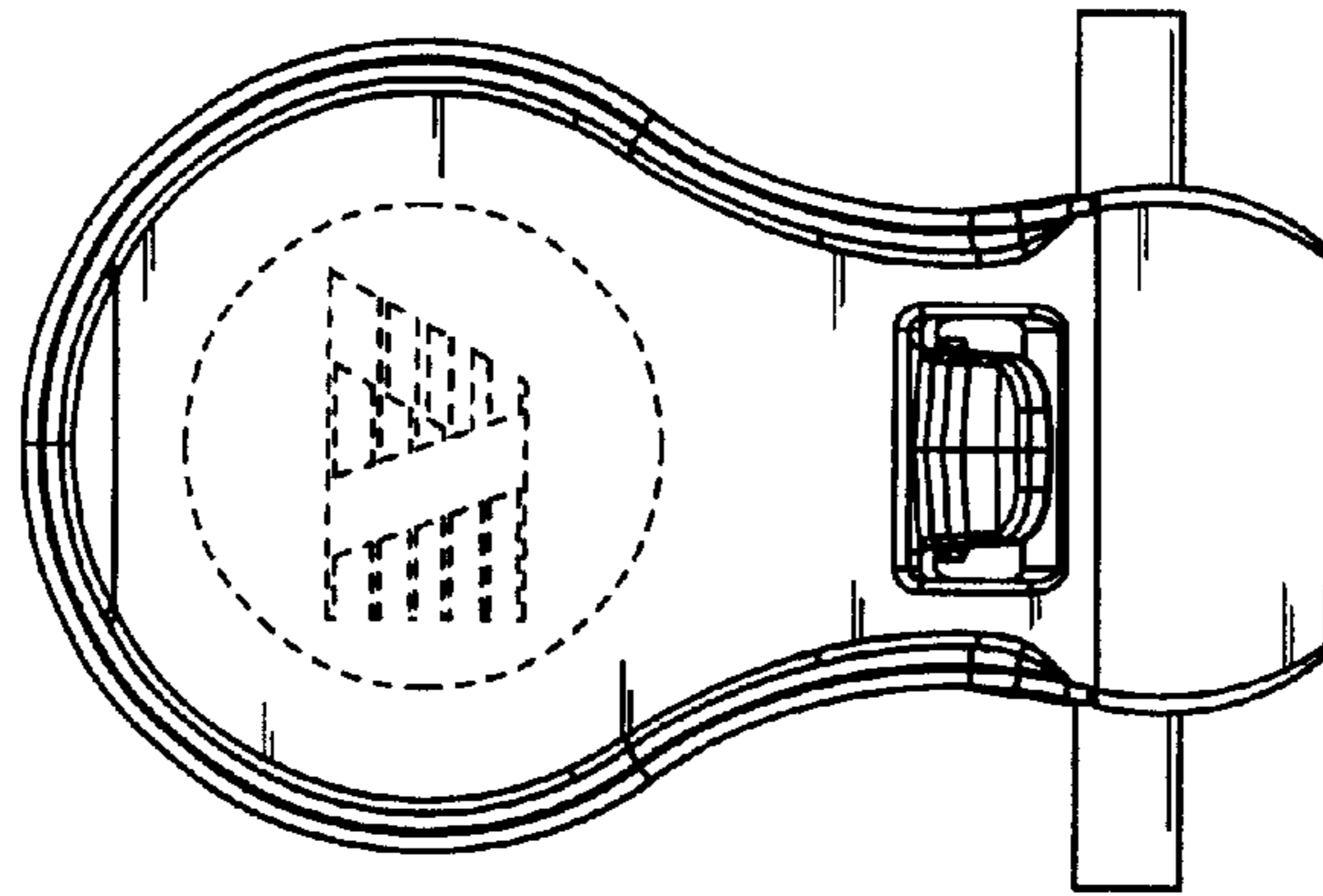


FIG. 11

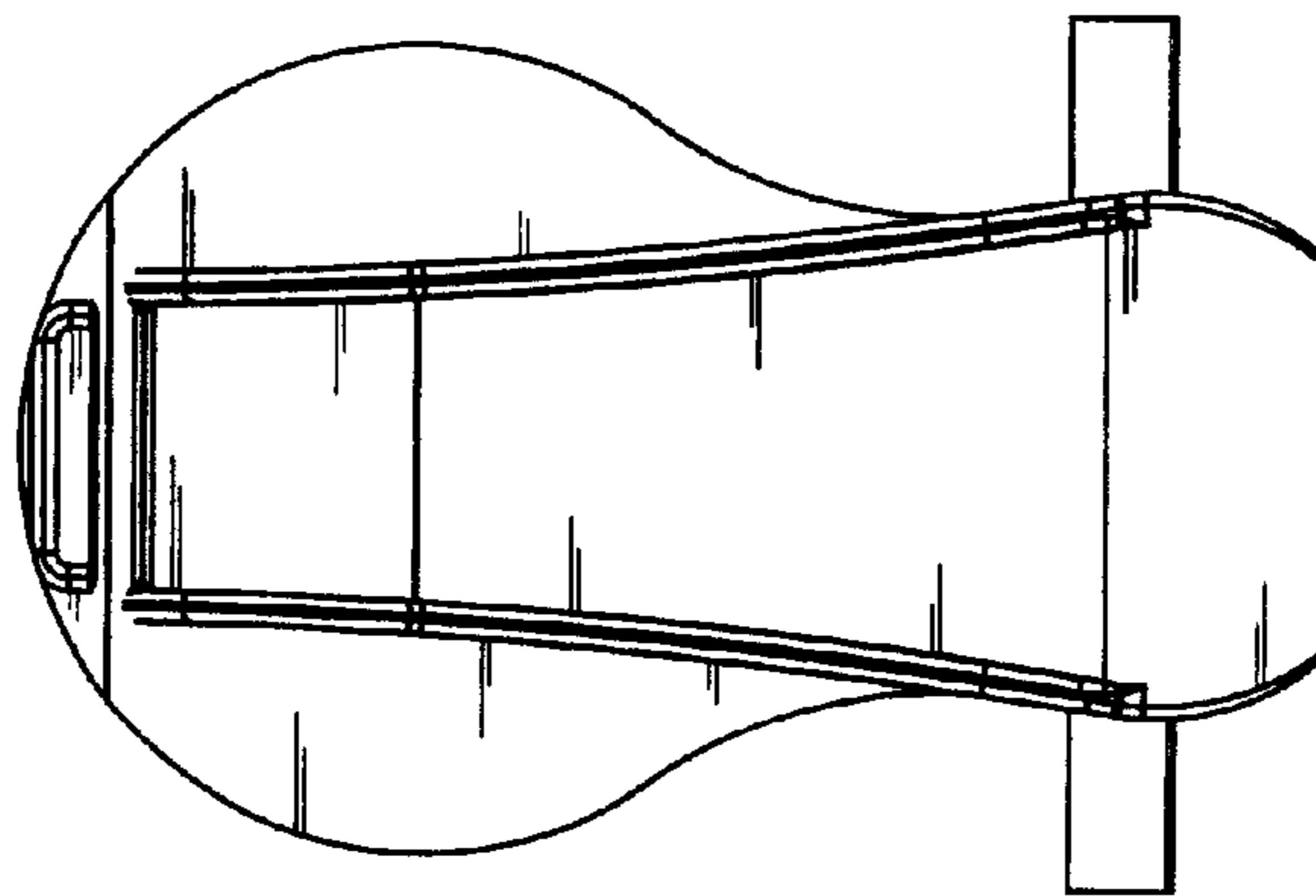


FIG. 12

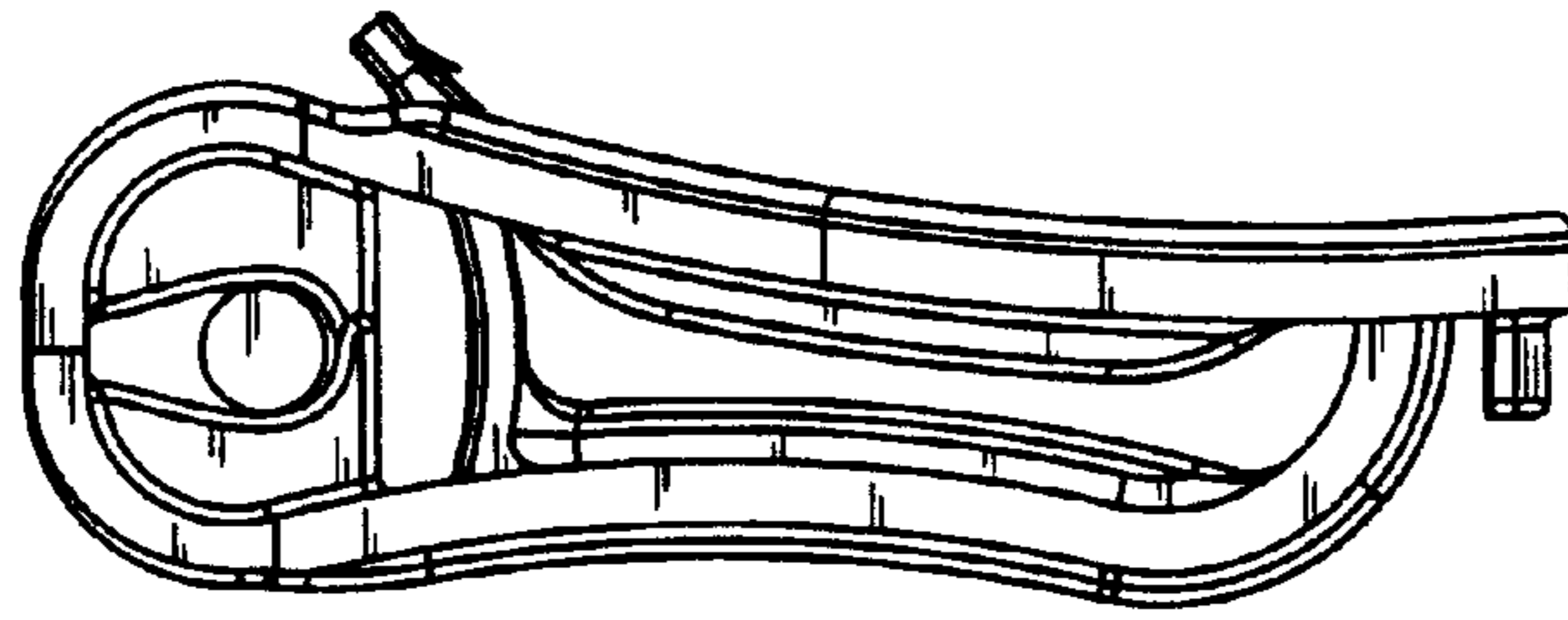


FIG. 13

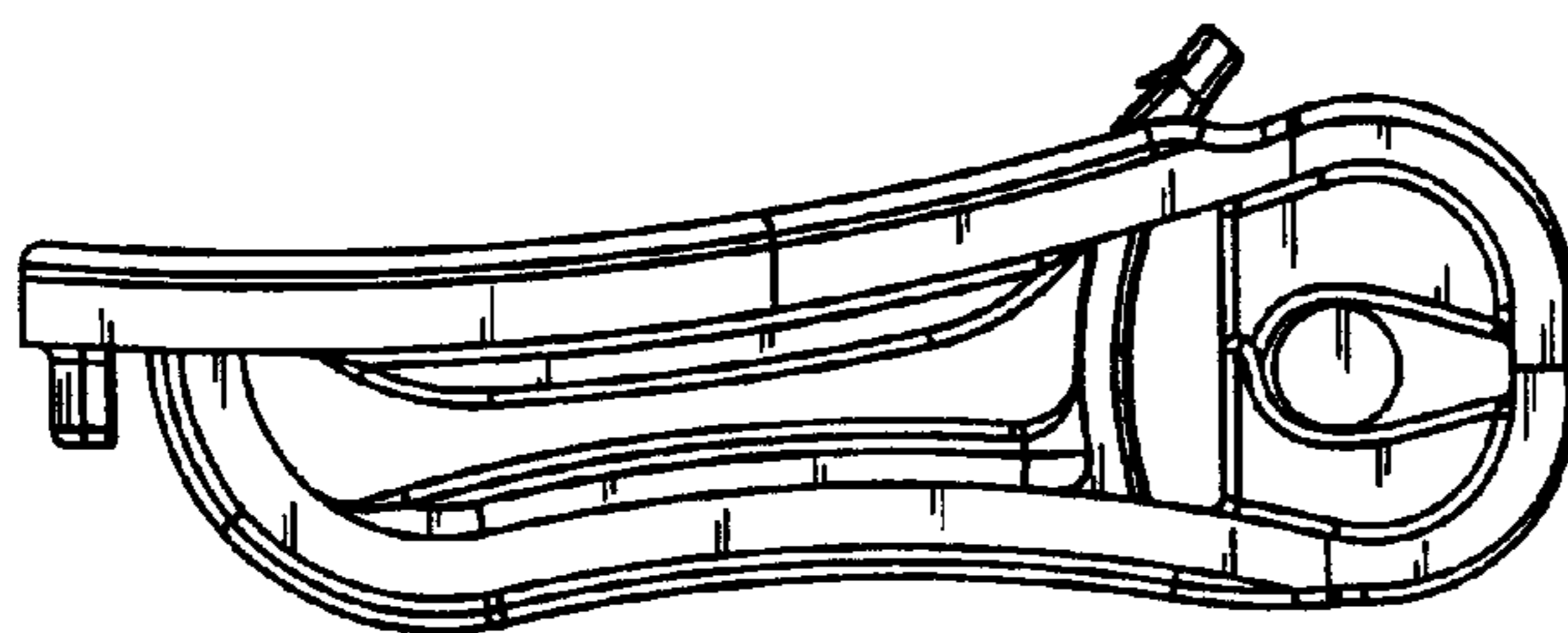


FIG. 14

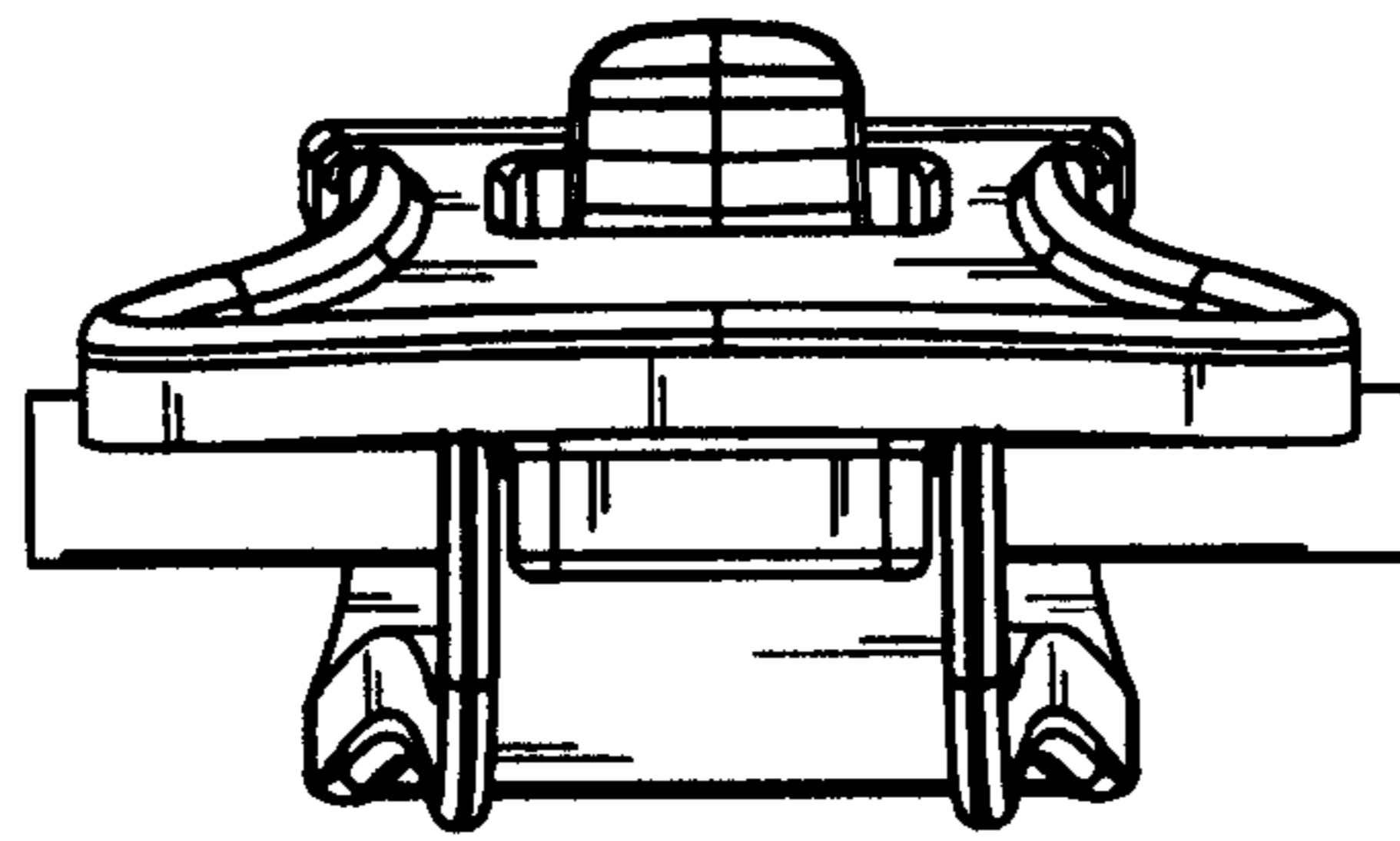


FIG. 15

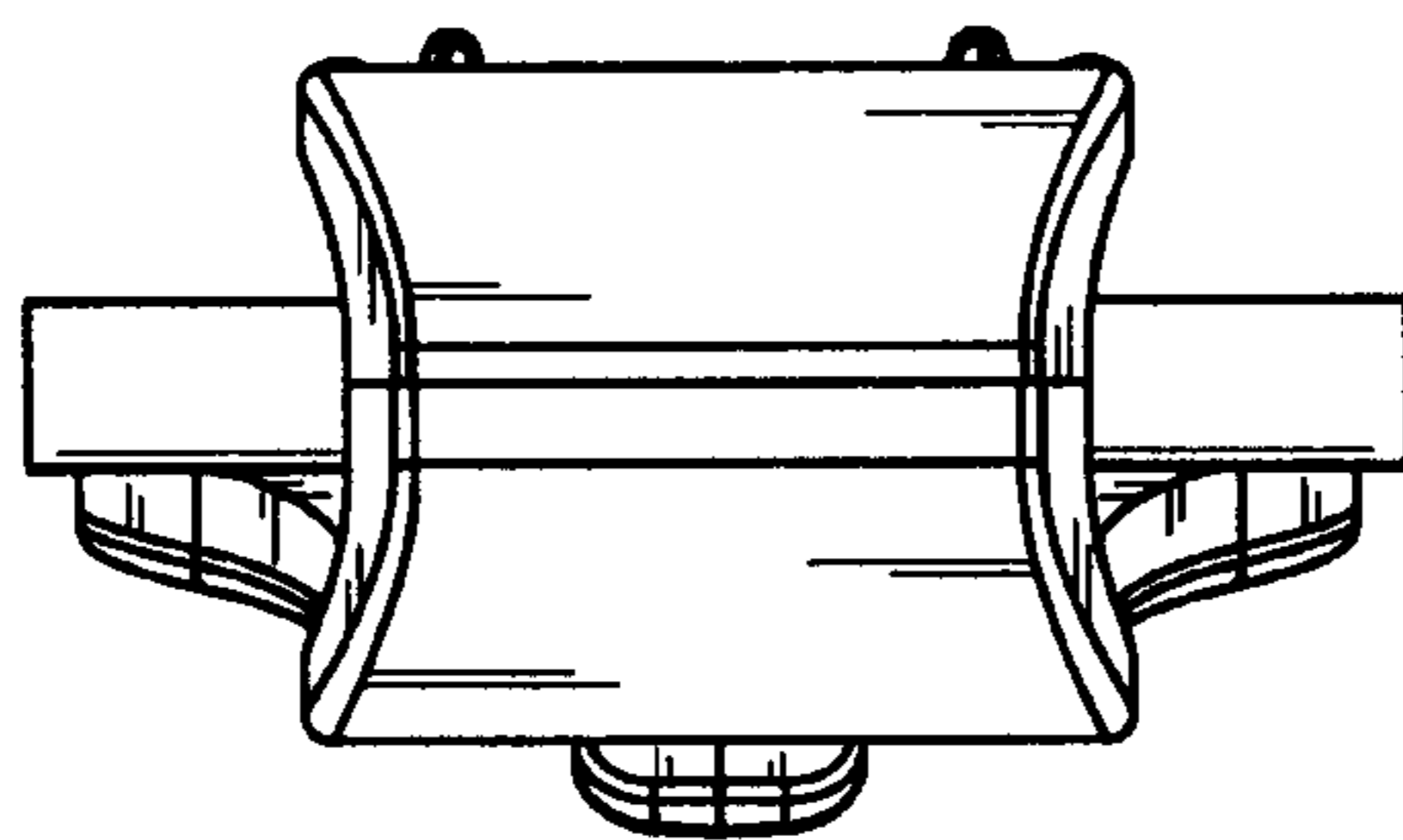


FIG. 16