



US00D521854S

(12) **United States Design Patent**
Wolfberg

(10) **Patent No.:** **US D521,854 S**

(45) **Date of Patent:** **** May 30, 2006**

(54) **LACE RETENTION CLIP**

(76) Inventor: **Darren Wolfberg**, 421 Hudson St., Ste.
619, New York, NY (US) 10014

(**) Term: **14 Years**

(21) Appl. No.: **29/198,829**

(22) Filed: **Feb. 5, 2004**

Related U.S. Application Data

(63) Continuation of application No. 29/183,824, filed on Jun.
17, 2003, now Pat. No. Des. 507,736.

(51) **LOC (8) Cl.** **08-08**

(52) **U.S. Cl.** **D8/383**

(58) **Field of Classification Search** 24/712,
24/712.6, 713.6, 133, 115 F, 115 G, 712.9,
24/70 SK, 70 CT, 70 ST, 70 J; D8/383; D2/978
See application file for complete search history.

(56) **References Cited**

U.S. PATENT DOCUMENTS

307,806 A	11/1884	Sailer	
1,379,093 A	5/1921	Freeberg	
2,200,895 A	5/1940	Rio	
3,813,737 A	6/1974	Larsen	
3,845,575 A	11/1974	Boden	
4,453,292 A *	6/1984	Bakker	24/115 G
5,008,981 A	4/1991	Smithson	
5,345,657 A	9/1994	Shimizu	
5,365,641 A	11/1994	Watanabe et al.	
D375,831 S	11/1996	Perry	
5,611,118 A	3/1997	Bibbee	
5,649,340 A	7/1997	Ida	
D399,045 S	10/1998	Liston	
5,987,712 A	11/1999	Tucker	
6,185,798 B1	2/2001	Ton	
D439,148 S *	3/2001	Ishii	D8/383
D451,005 S *	11/2001	Murata	D8/383
6,327,751 B1	12/2001	Ikeda	
6,334,240 B1	1/2002	Li	
D454,777 S	3/2002	Yoshiguchi	
D468,234 S	1/2003	Johansson et al.	

6,536,086 B1	3/2003	Liu	
D477,772 S *	7/2003	Nezu	D8/383
D481,300 S *	10/2003	Nezu	D8/383
D481,301 S *	10/2003	Nezu	D8/383
6,662,415 B1	12/2003	Lin	
2003/0024086 A1	2/2003	Liu	
2003/0070268 A1	4/2003	Ross	

FOREIGN PATENT DOCUMENTS

GB 2 343 701 A 5/2000

OTHER PUBLICATIONS

Written Opinion for PCT/US2004/010873 mailed Aug. 18,
2004.

International Search Report for PCT/US2004/010873
mailed Aug. 18, 2004.

* cited by examiner

Primary Examiner—Ralf Seifert
(74) *Attorney, Agent, or Firm*—Marshall, Gerstein & Borun
LLP

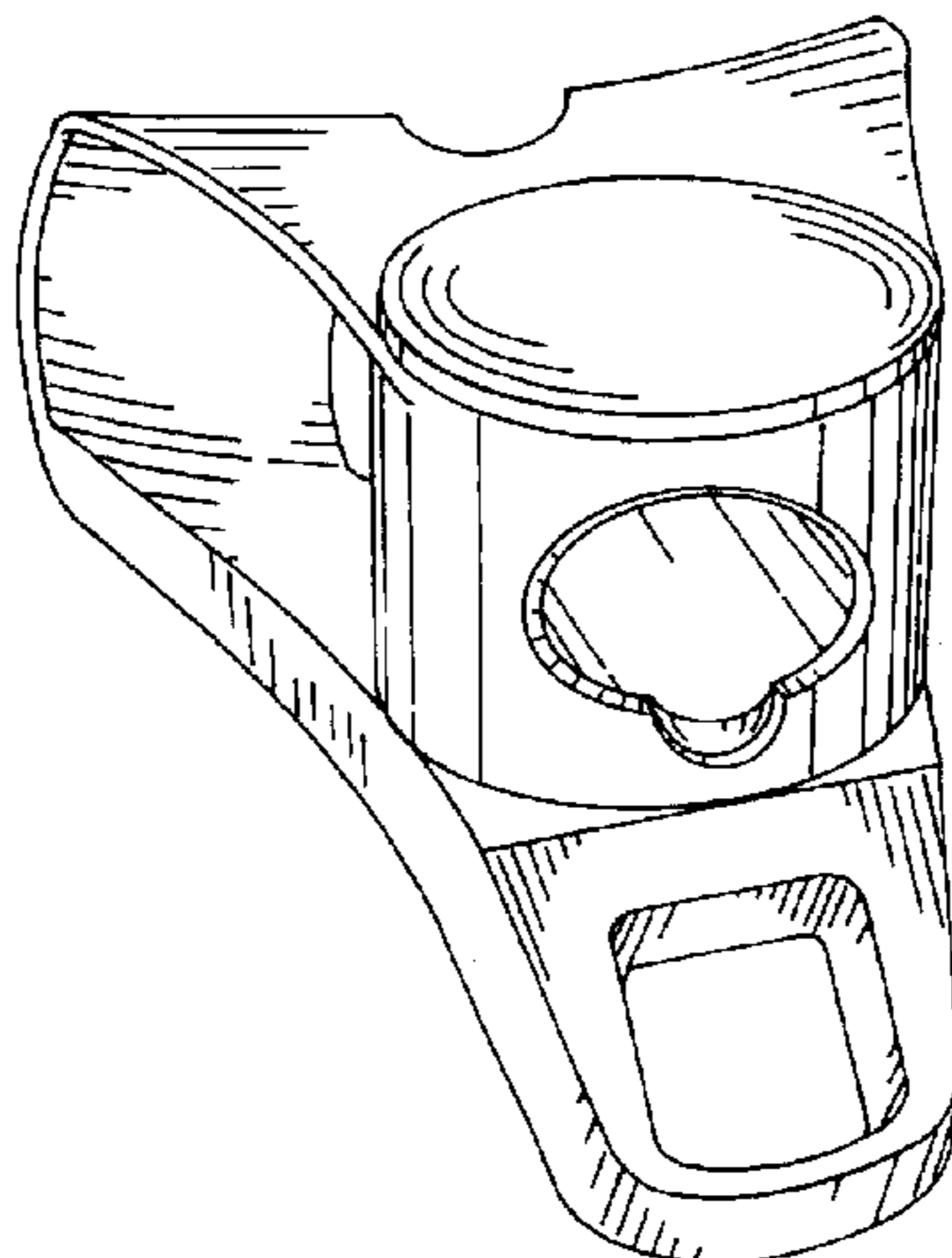
(57) **CLAIM**

The ornamental design for a “lace retention clip,” as shown
and described.

DESCRIPTION

FIG. 1 is a front left side perspective view taken from the
front showing my new design;
FIG. 2 is a right elevational view thereof;
FIG. 3 is a front elevational view thereof;
FIG. 4 is a top side view thereof;
FIG. 5 is a bottom side view thereof;
FIG. 6 is a rear elevational view thereof;
FIG. 7 is the front left side perspective view of FIG. 1
showing the clip with a plunger in a second position;
FIG. 8 is a right elevational view thereof;
FIG. 9 is a front elevational view thereof;
FIG. 10 is a top side view thereof;
FIG. 11 is a bottom side view thereof; and,
FIG. 12 is a rear elevational view thereof.

1 Claim, 6 Drawing Sheets



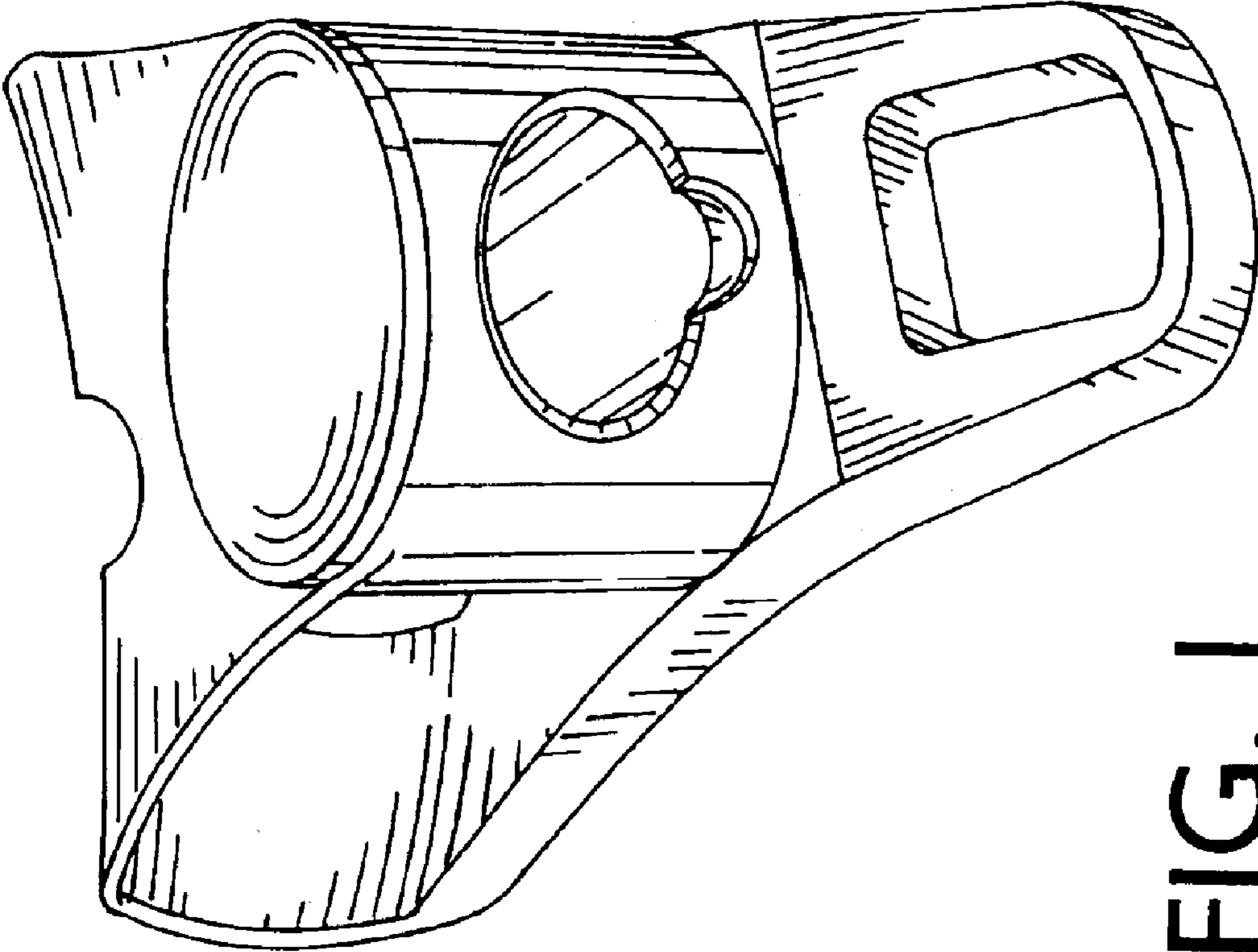


FIG. 1

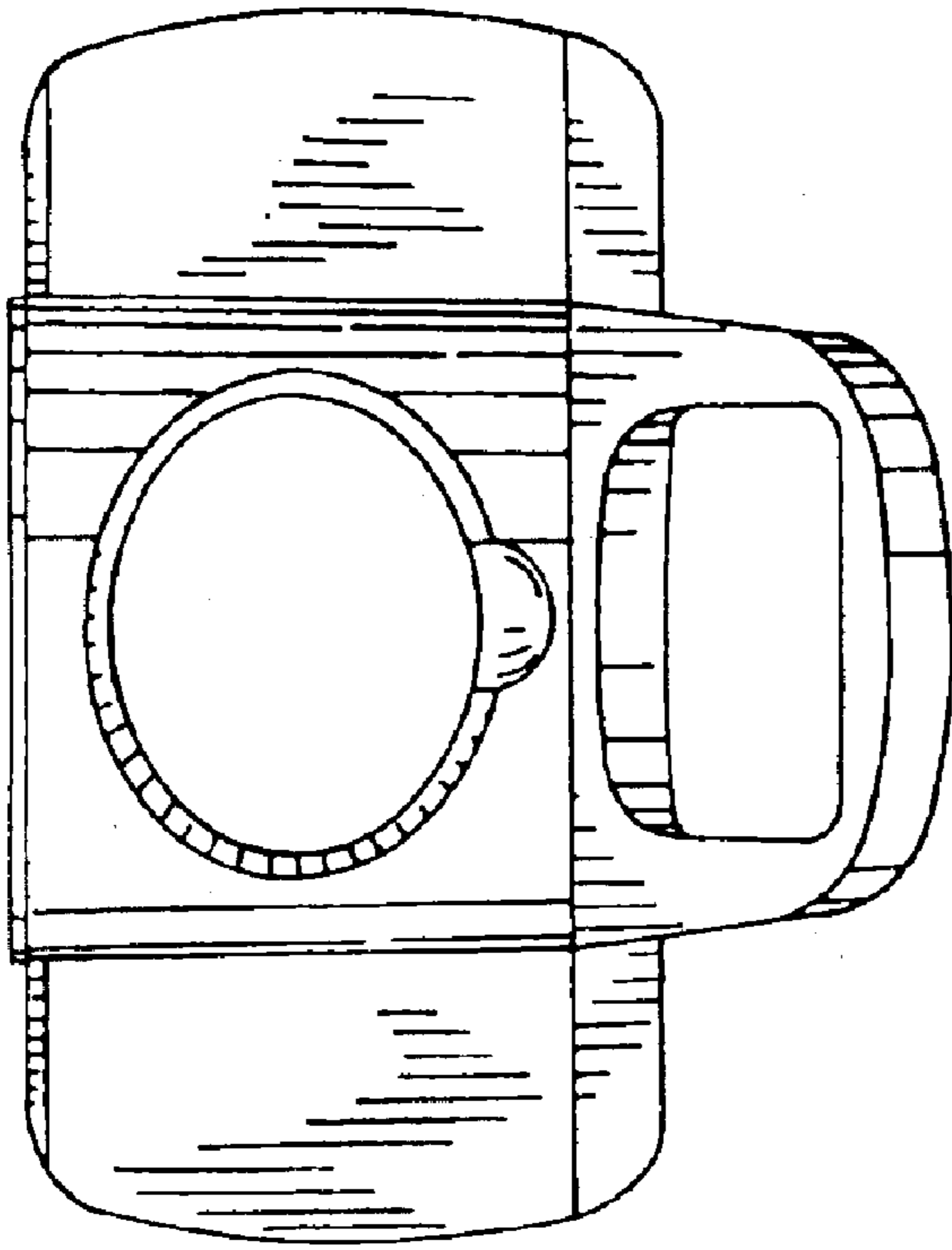


FIG. 3

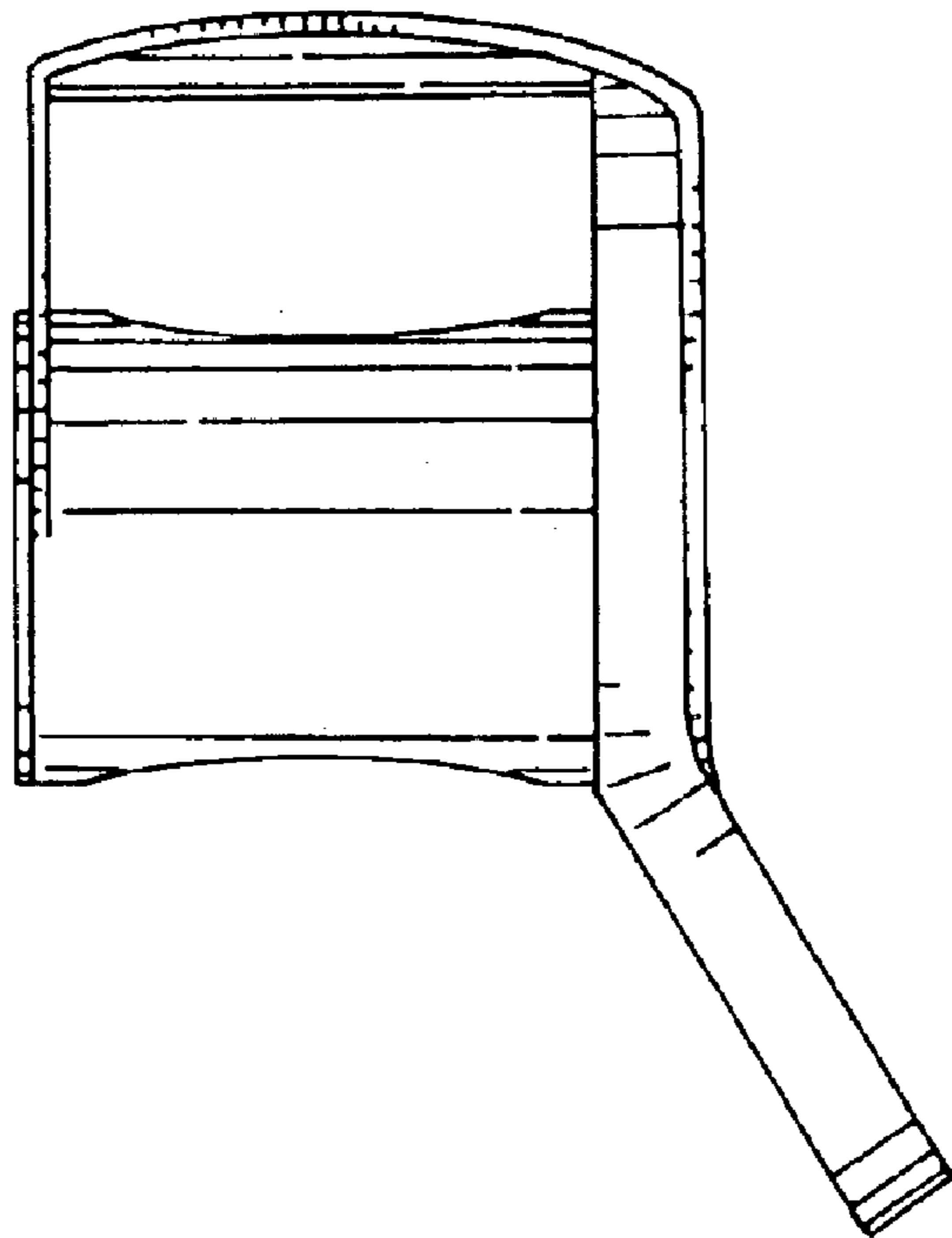


FIG. 2

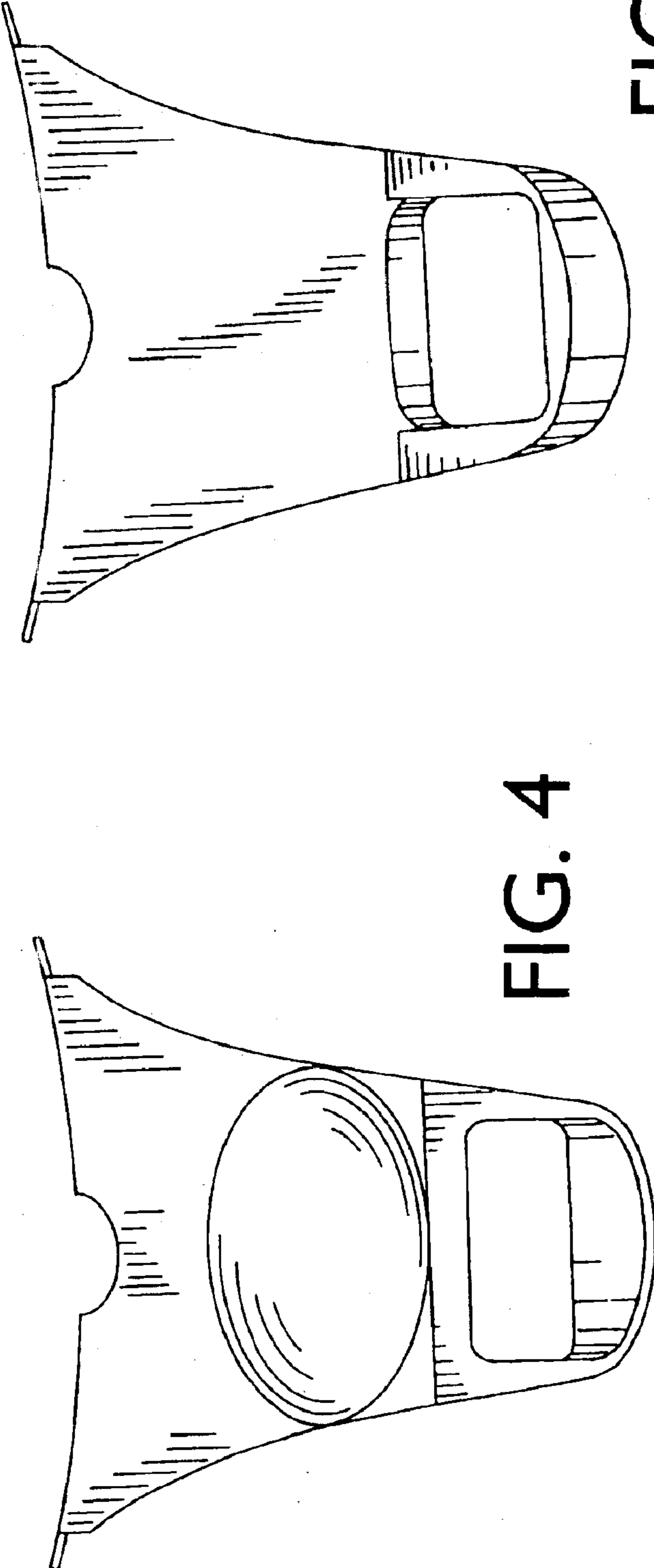


FIG. 4

FIG. 5

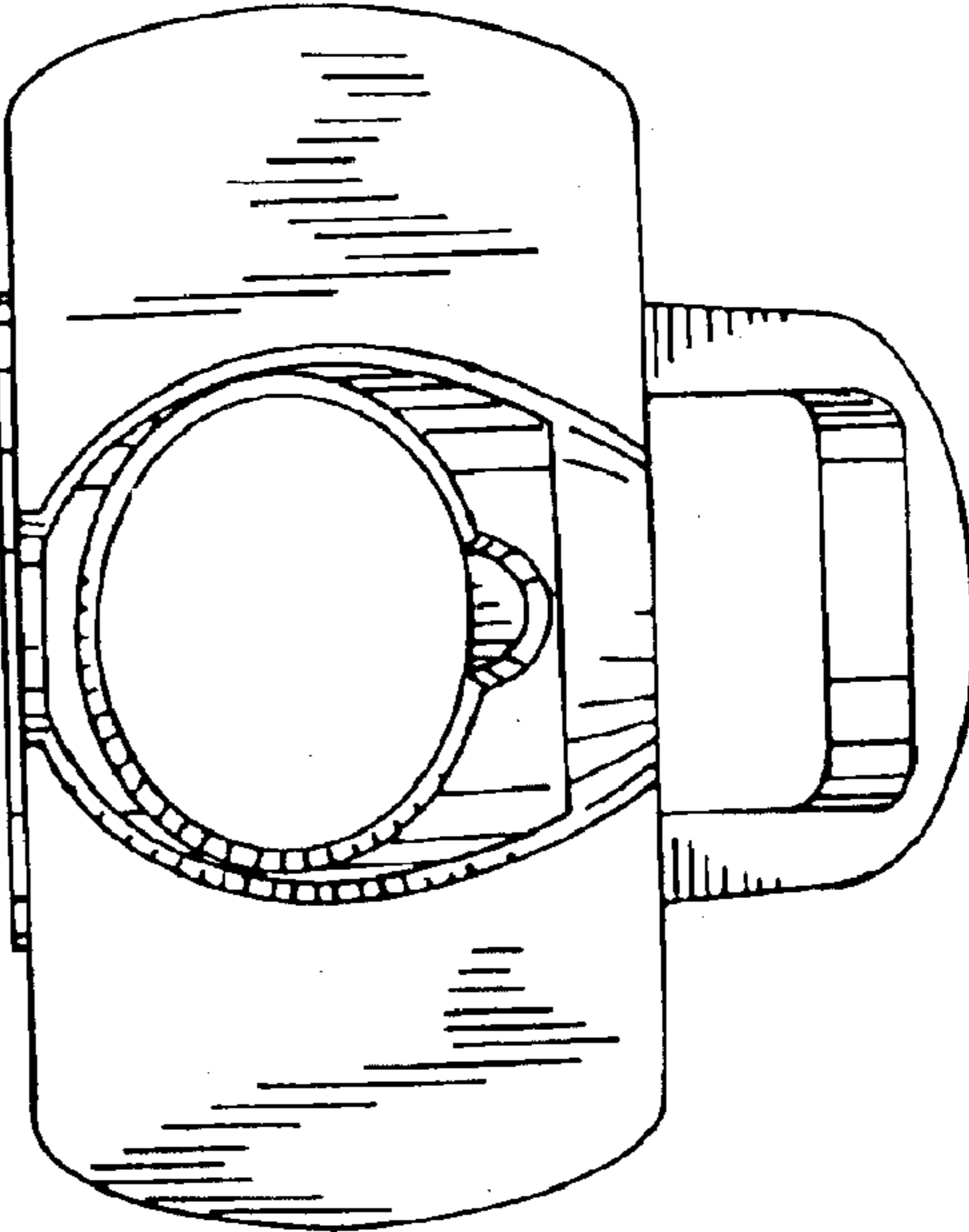


FIG. 6

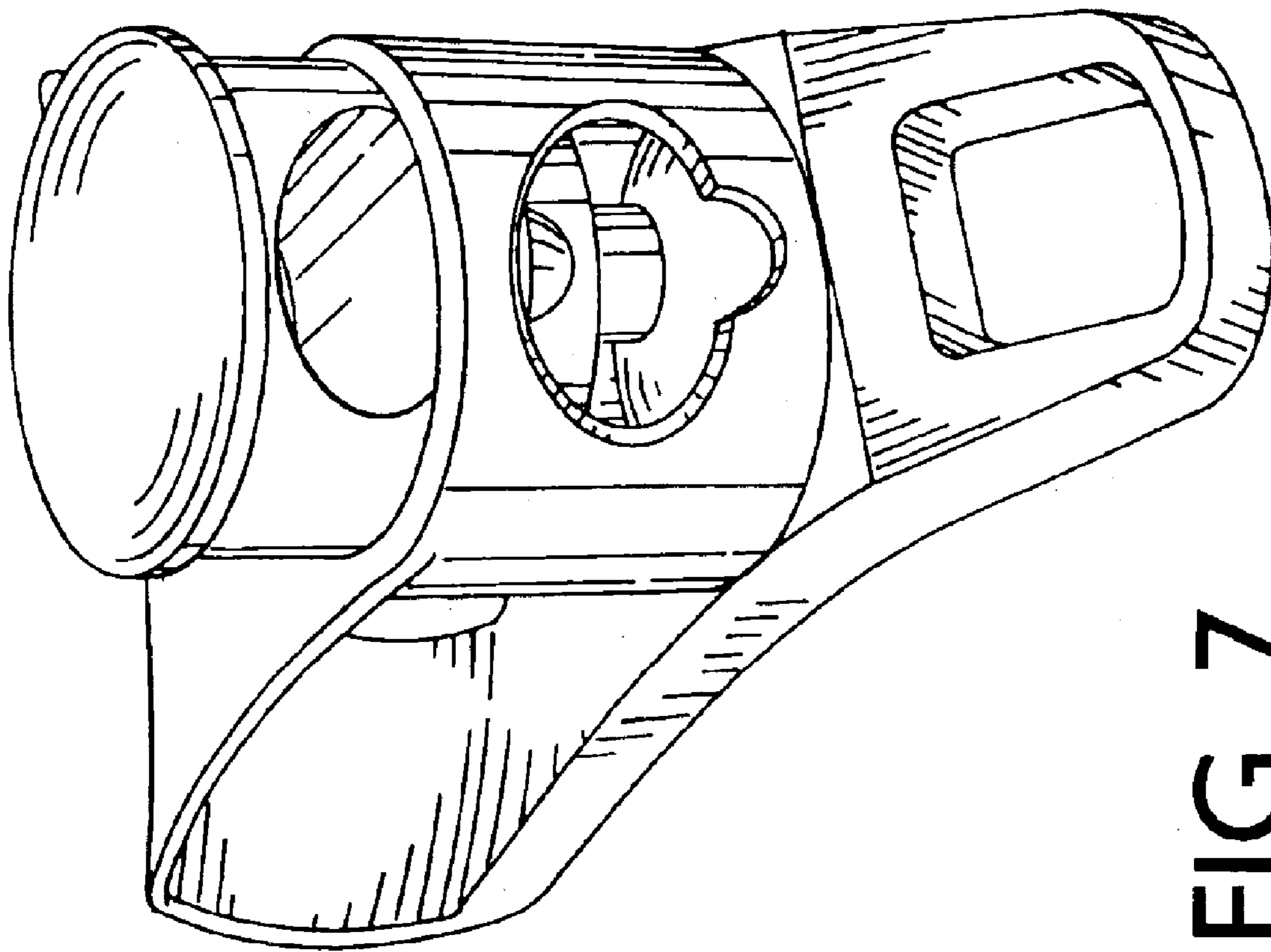


FIG. 7

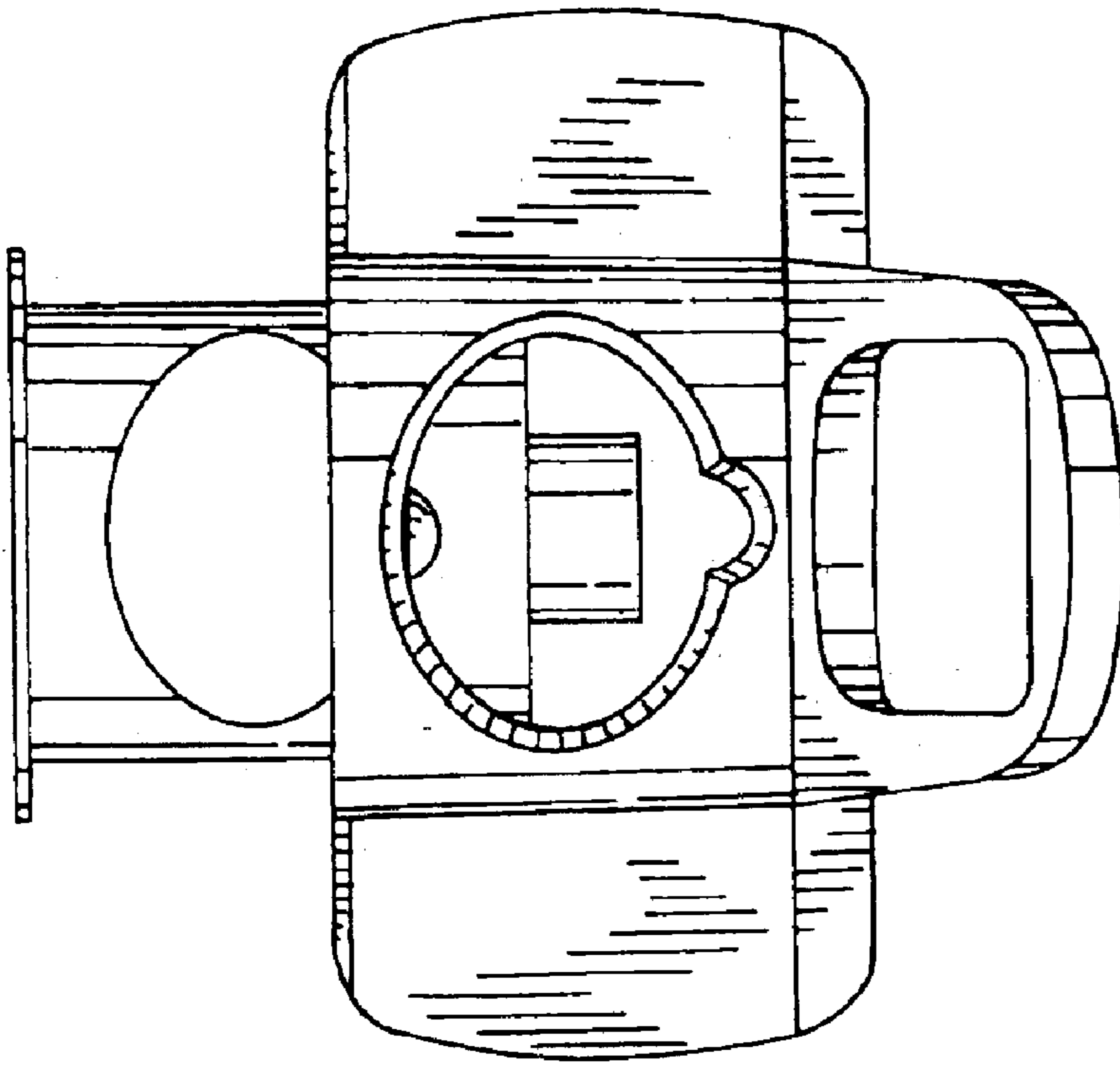


FIG. 9

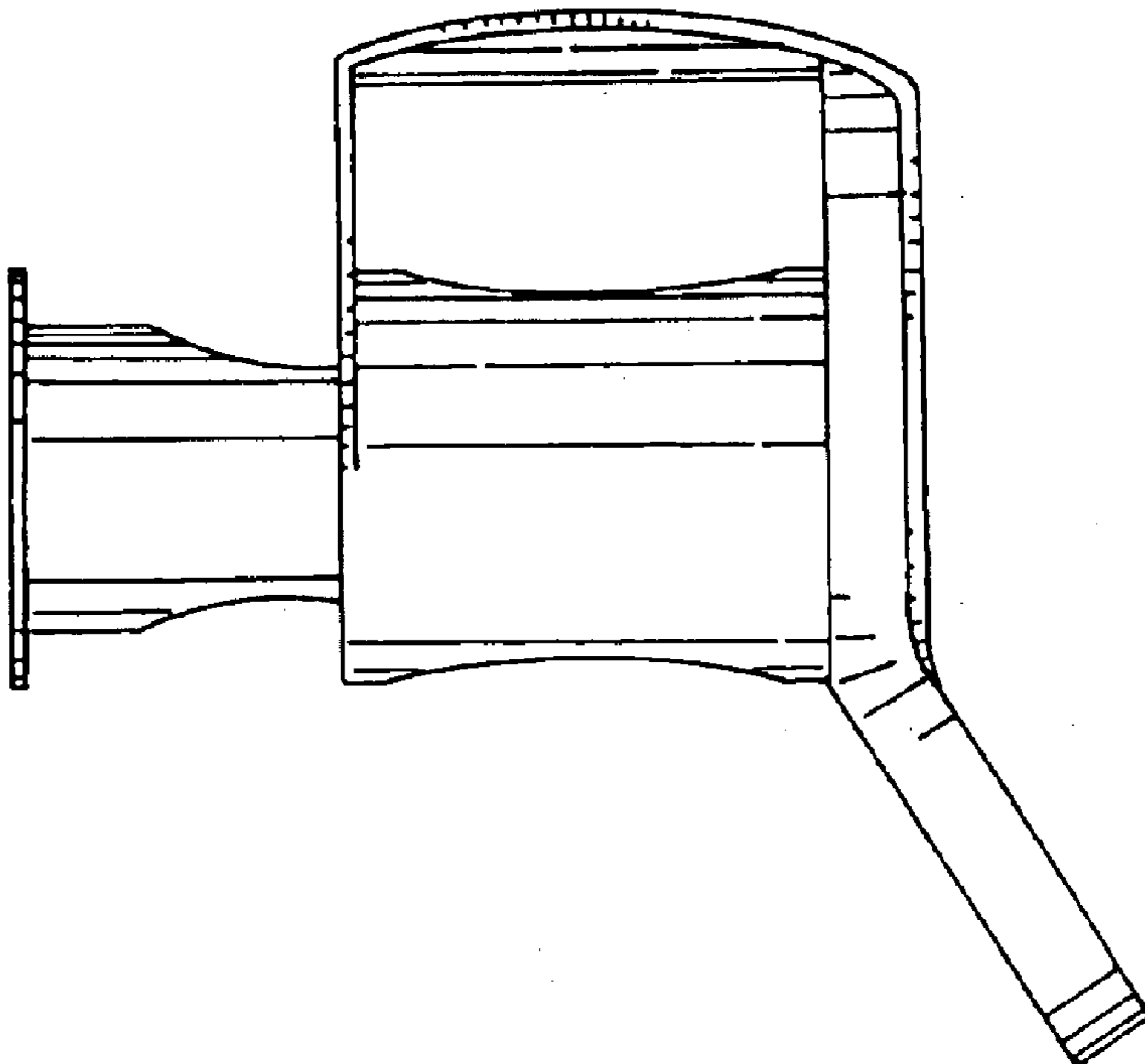


FIG. 8

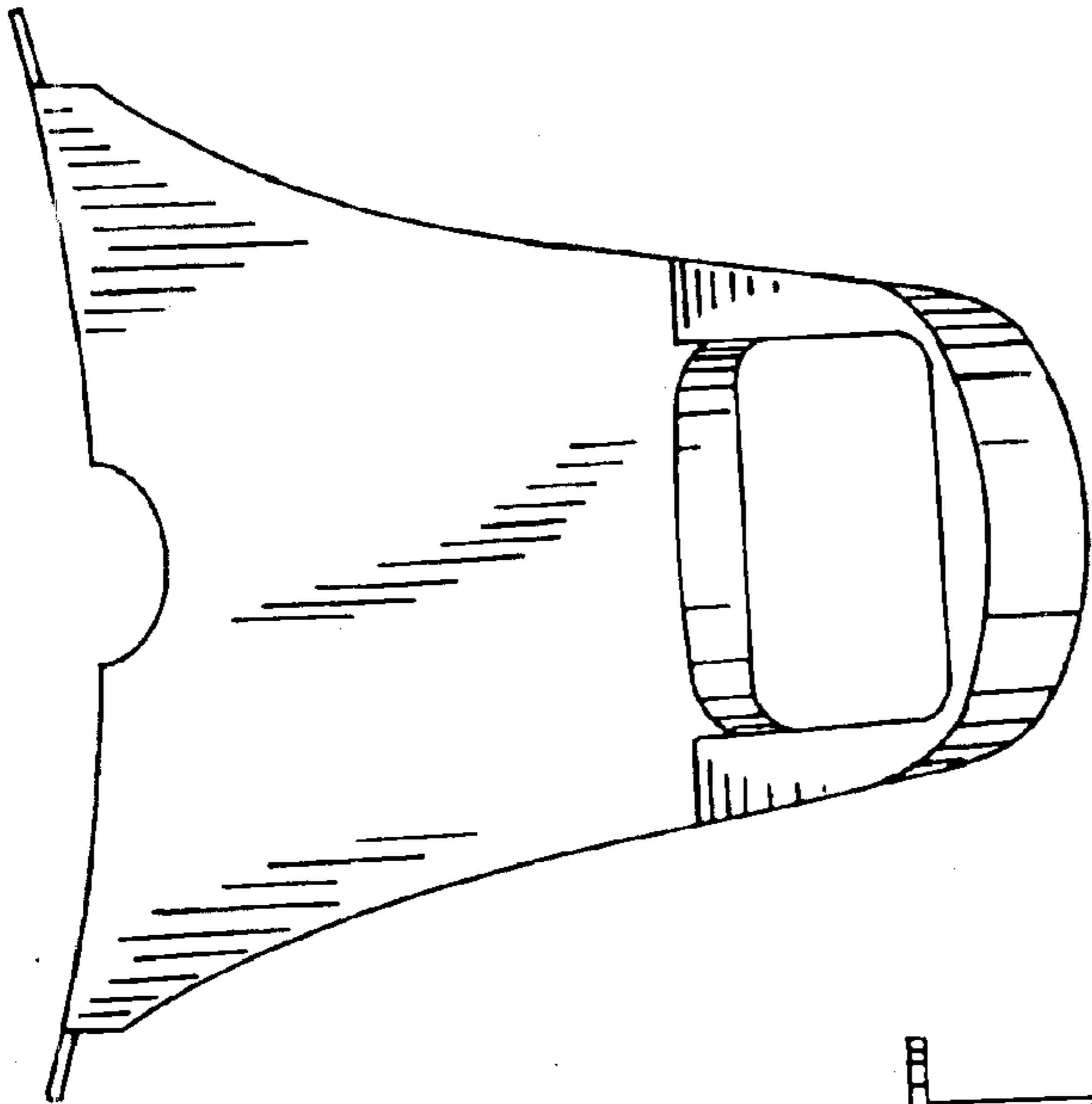


FIG. 10

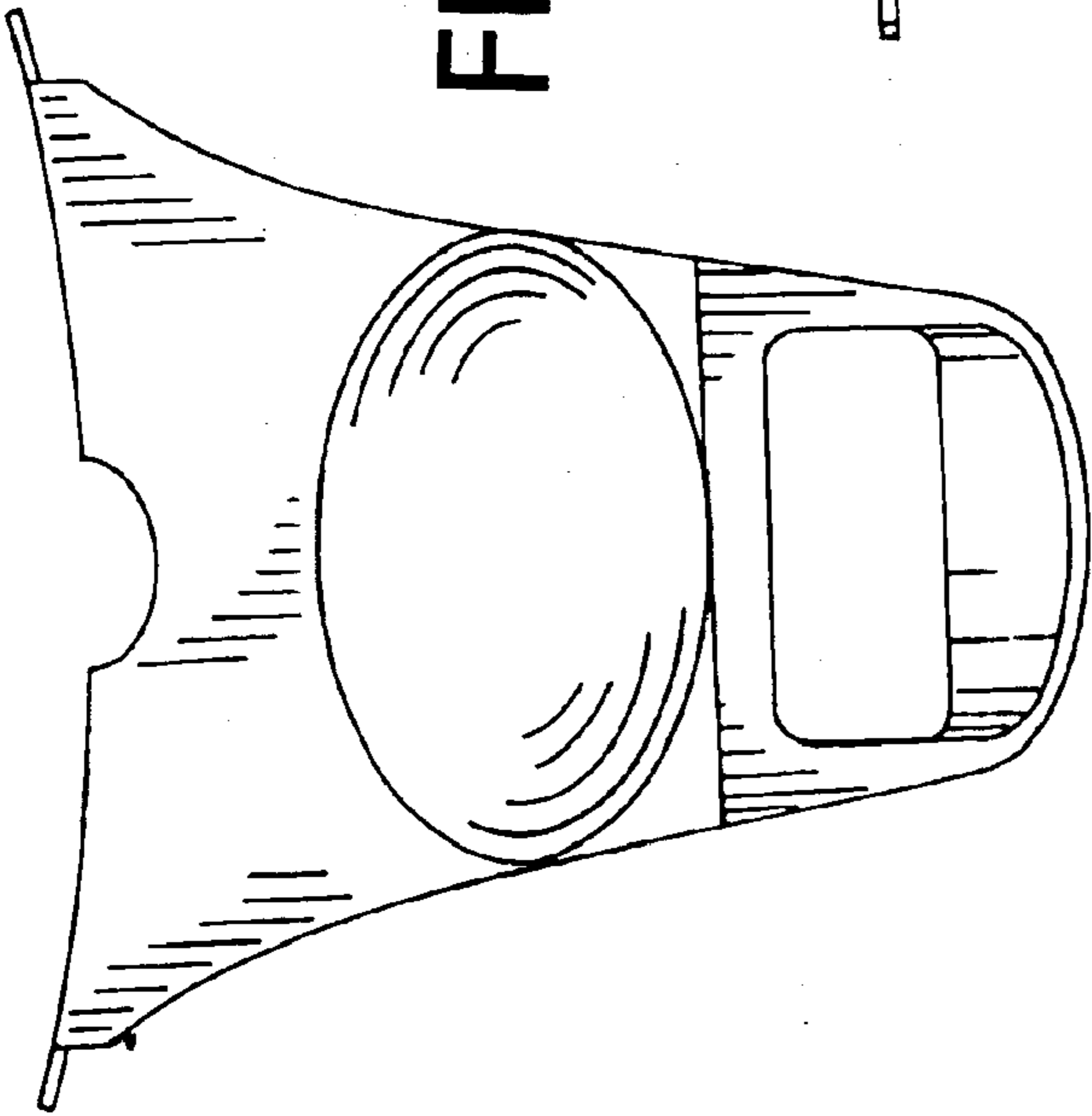


FIG. 11

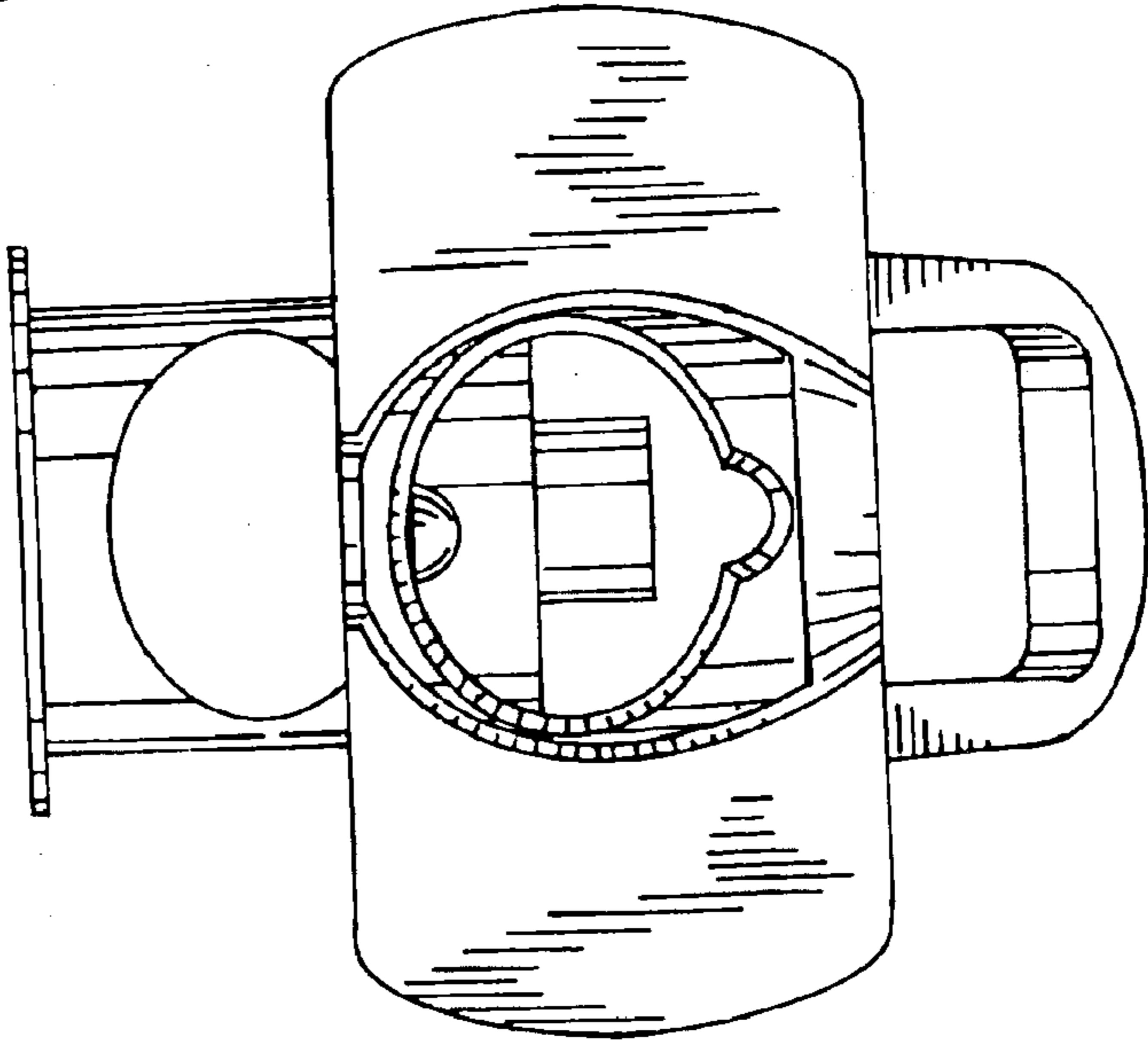


FIG. 12