



US00D521853S

(12) **United States Design Patent** (10) **Patent No.:** **US D521,853 S**
Bertagnole et al. (45) **Date of Patent:** **** May 30, 2006**

(54) **WALL MOUNTING BRACKET FOR A DEFIBRILLATOR**

(75) Inventors: **Shawn R. Bertagnole**, Bothell, WA (US); **Kathleen D. Schoenberg**, Kirkland, WA (US)

(73) Assignee: **Medtronic Emergency Response Systems, Inc.**, Redmond, WA (US)

(**) Term: **14 Years**

(21) Appl. No.: **29/192,806**

(22) Filed: **Oct. 30, 2003**

(51) **LOC (8) Cl.** **08-05**

(52) **U.S. Cl.** **D8/373**

(58) **Field of Classification Search** D8/373,
D8/363; 248/300, 309.1

See application file for complete search history.

(56) **References Cited**

U.S. PATENT DOCUMENTS

1,929,574	A	*	10/1933	Armstrong	248/300
D329,372	S	*	9/1992	Wilms	D8/380
D333,085	S	*	2/1993	Thomsen	D8/373
D349,041	S	*	7/1994	Wical	D8/373
D354,350	S	*	1/1995	Pryor et al.	D24/128
6,301,501	B1		10/2001	Cronin et al.		
D468,998	S	*	1/2003	Zadak	D8/373
D491,447	S	*	6/2004	Diss	D8/373

OTHER PUBLICATIONS

AU 136725 S(Unistrut Australia Pty Limited) Mar. 11, 1999. [online][retrieved on Apr. 27, 2005]. Retrieved from: Australian Patent Database.*

* cited by examiner

Primary Examiner—Holly H. Baynham

(74) *Attorney, Agent, or Firm*—Shumaker & Sieffert, P.A.

(57) **CLAIM**

The ornamental design for the wall mounting bracket for a defibrillator, as shown and described

DESCRIPTION

The intended use of the wall mounting bracket is to hold a defibrillator, such as an automated external defibrillator, on a wall type surface.

FIG. 1 is a right isometric view of the mounting bracket.

FIG. 2 is a right side view of the mounting bracket.

FIG. 3 is a front view of the mounting bracket.

FIG. 4 is a rear view of the mounting bracket.

FIG. 5 is a top view of the mounting bracket.

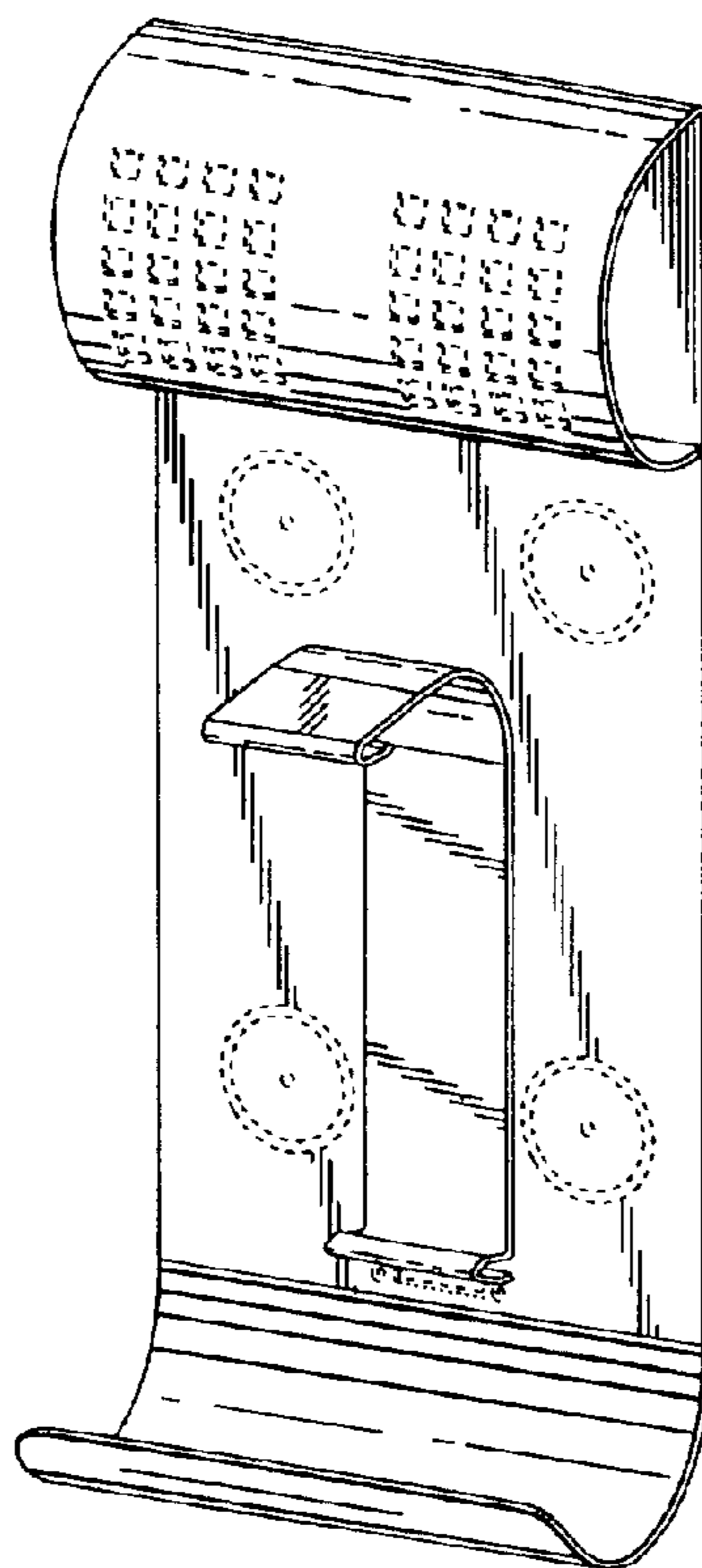
FIG. 6 is a bottom view of the mounting bracket.

FIG. 7 is a right isometric view of an alternate embodiment of the mounting bracket; and,

FIG. 8 is a right perspective view of an alternate embodiment of the mounting bracket.

The broken line showing of structure and a defibrillator is for illustrative purposes only and forms no part of the claimed design.

1 Claim, 7 Drawing Sheets



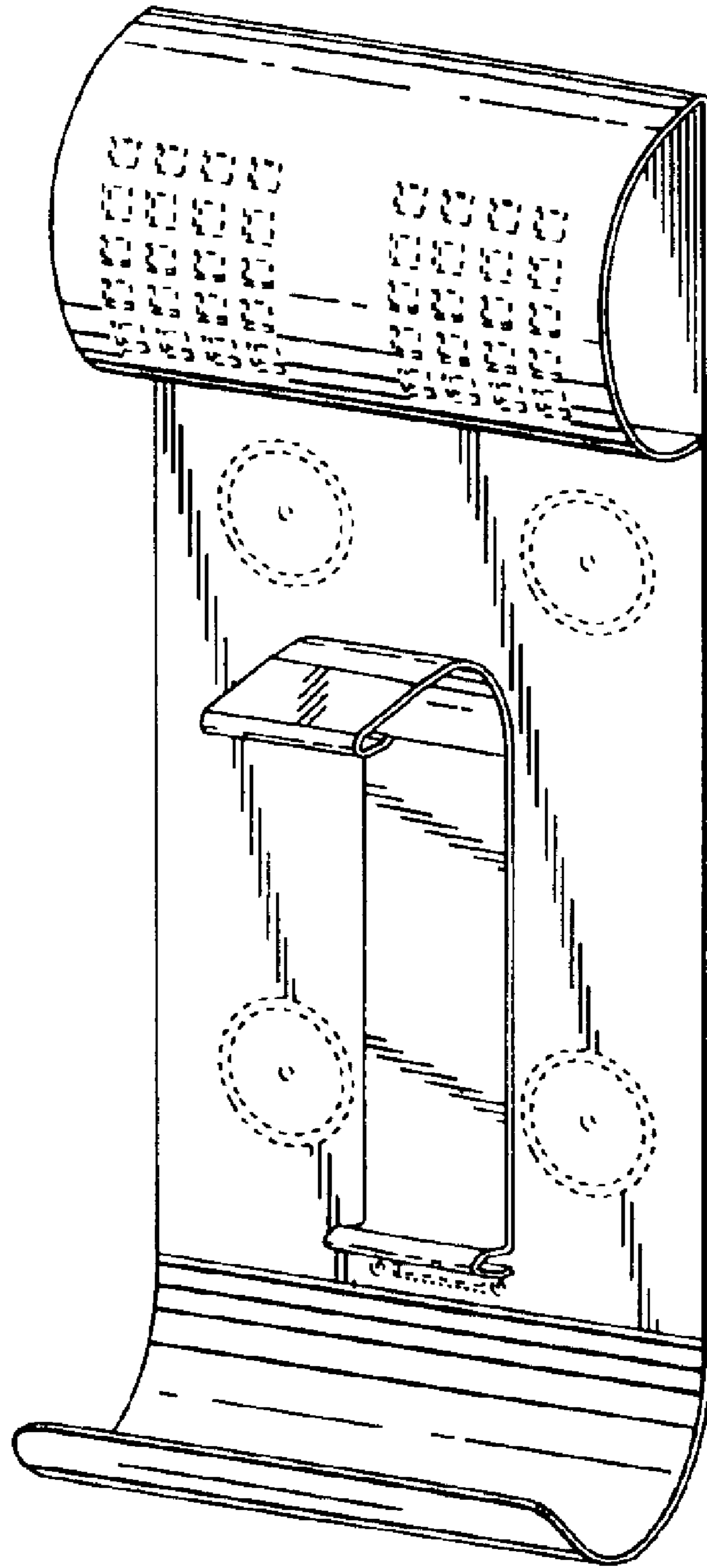


Fig. 1

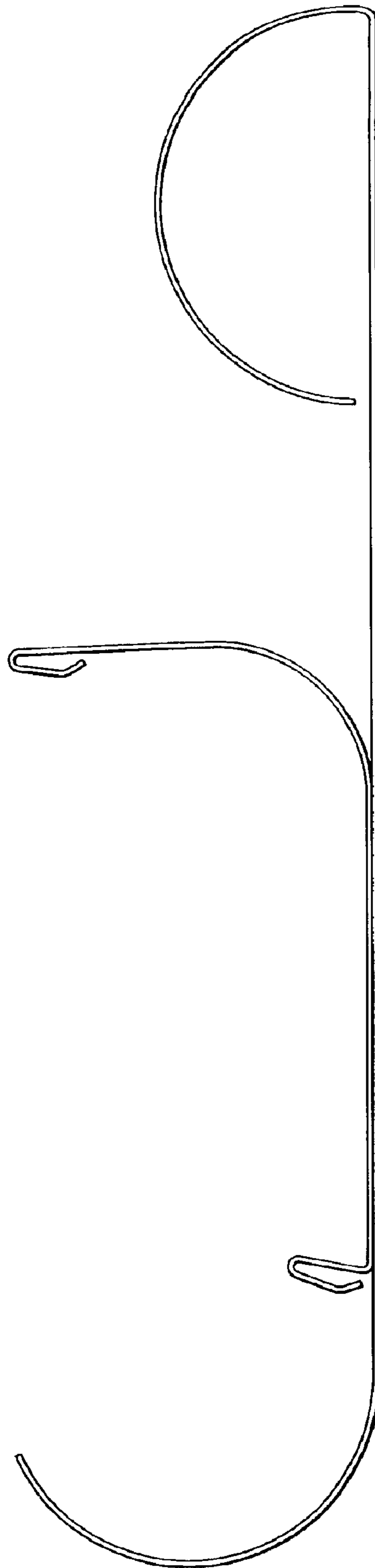


Fig. 2

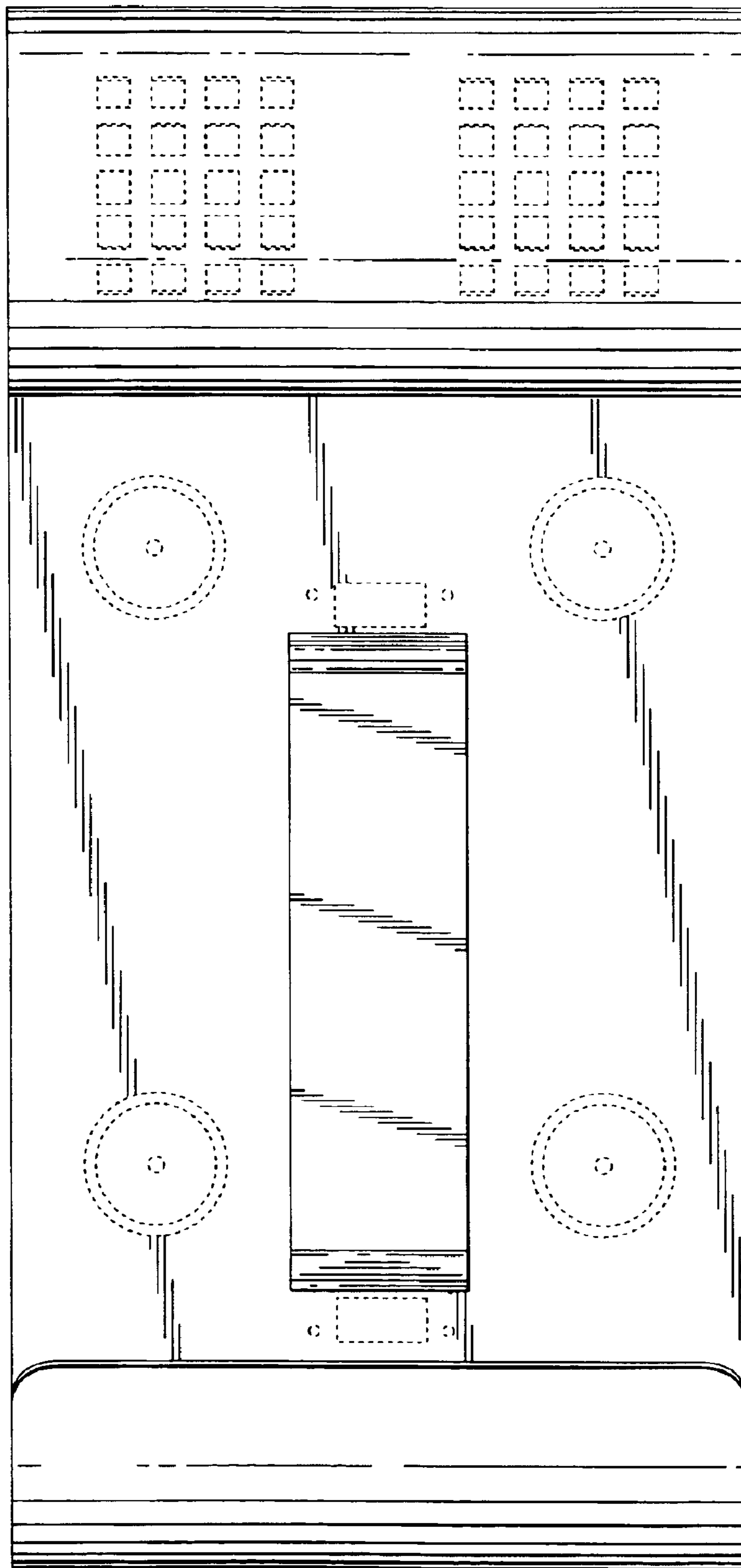


Fig. 3

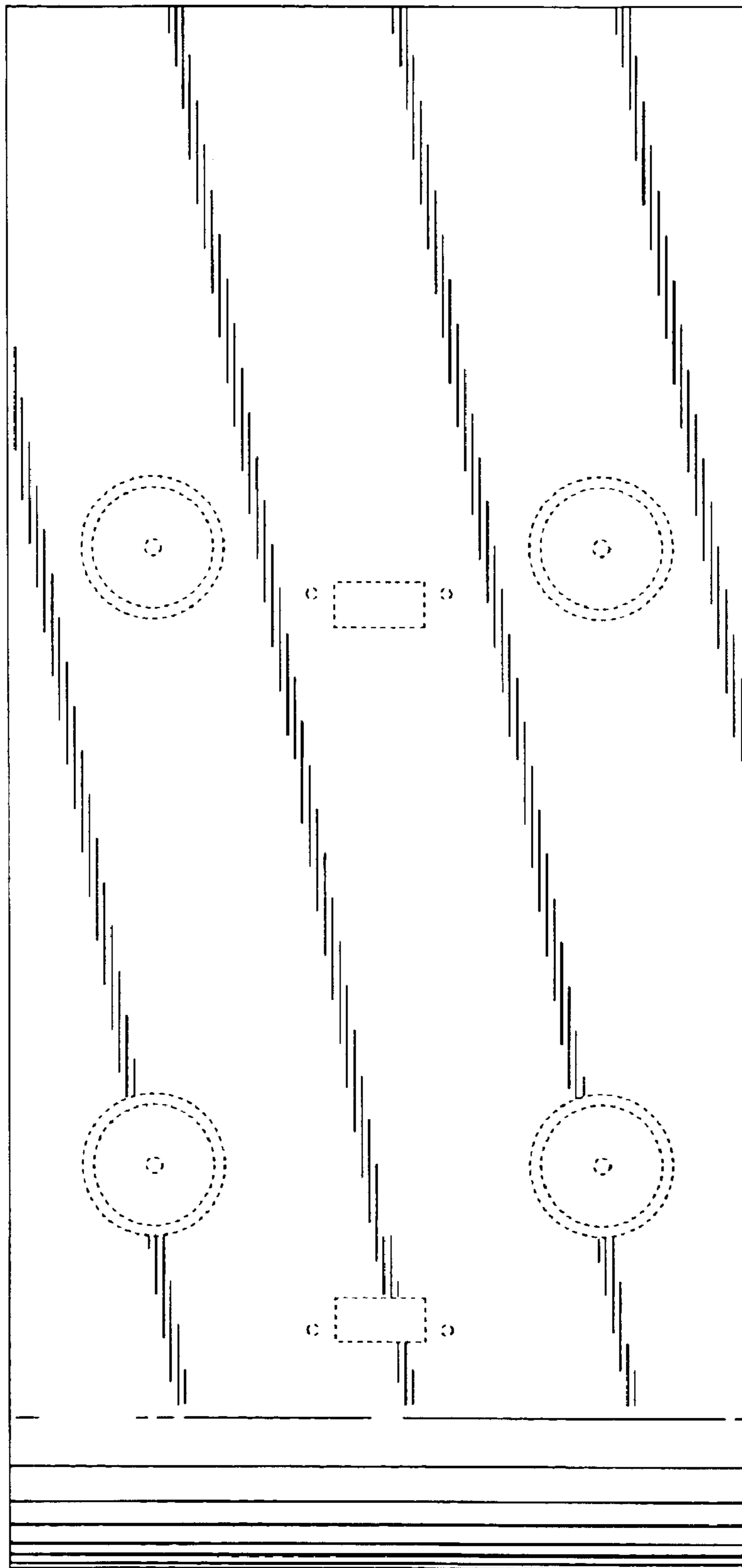


Fig. 4

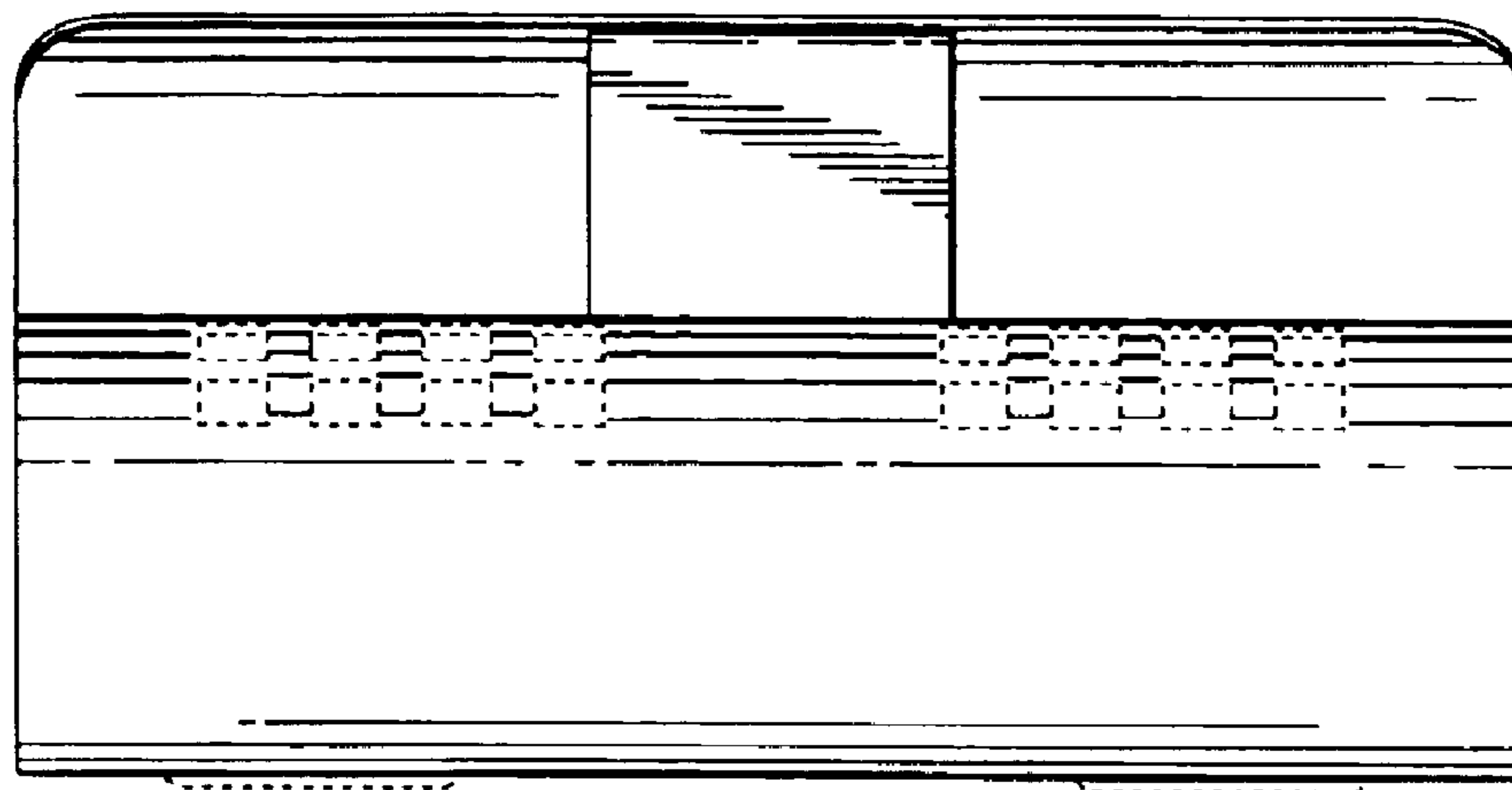


Fig. 5

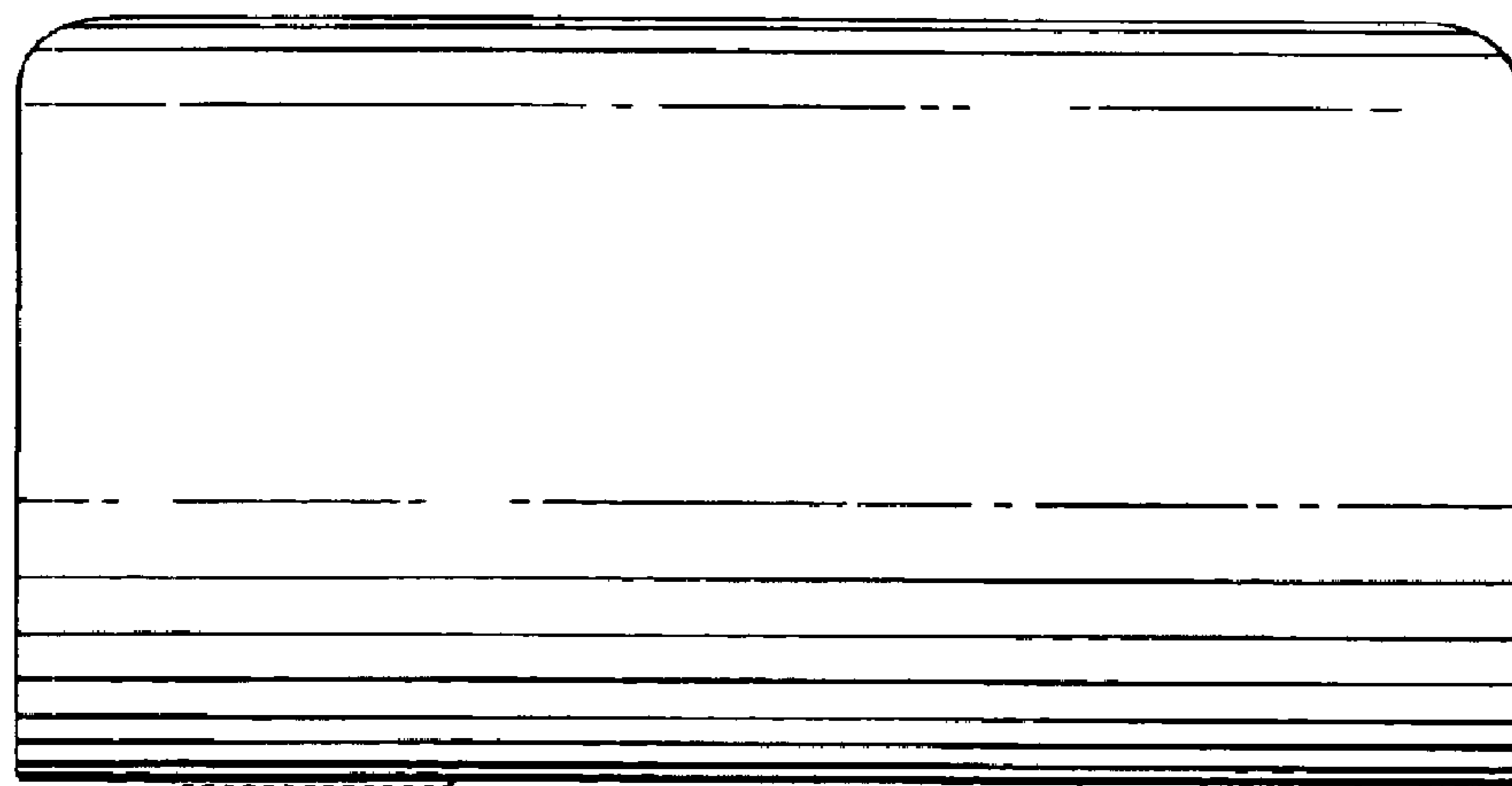


Fig. 6

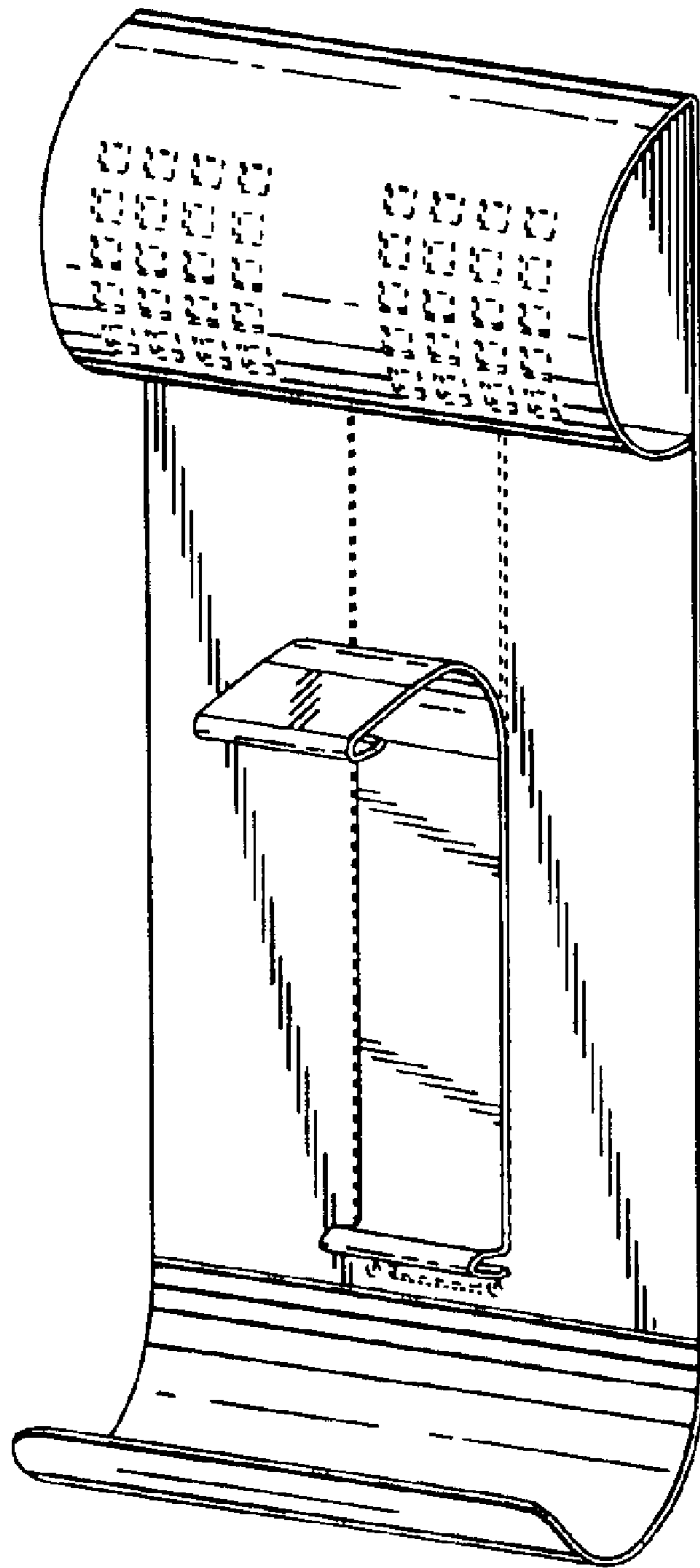


Fig. 7

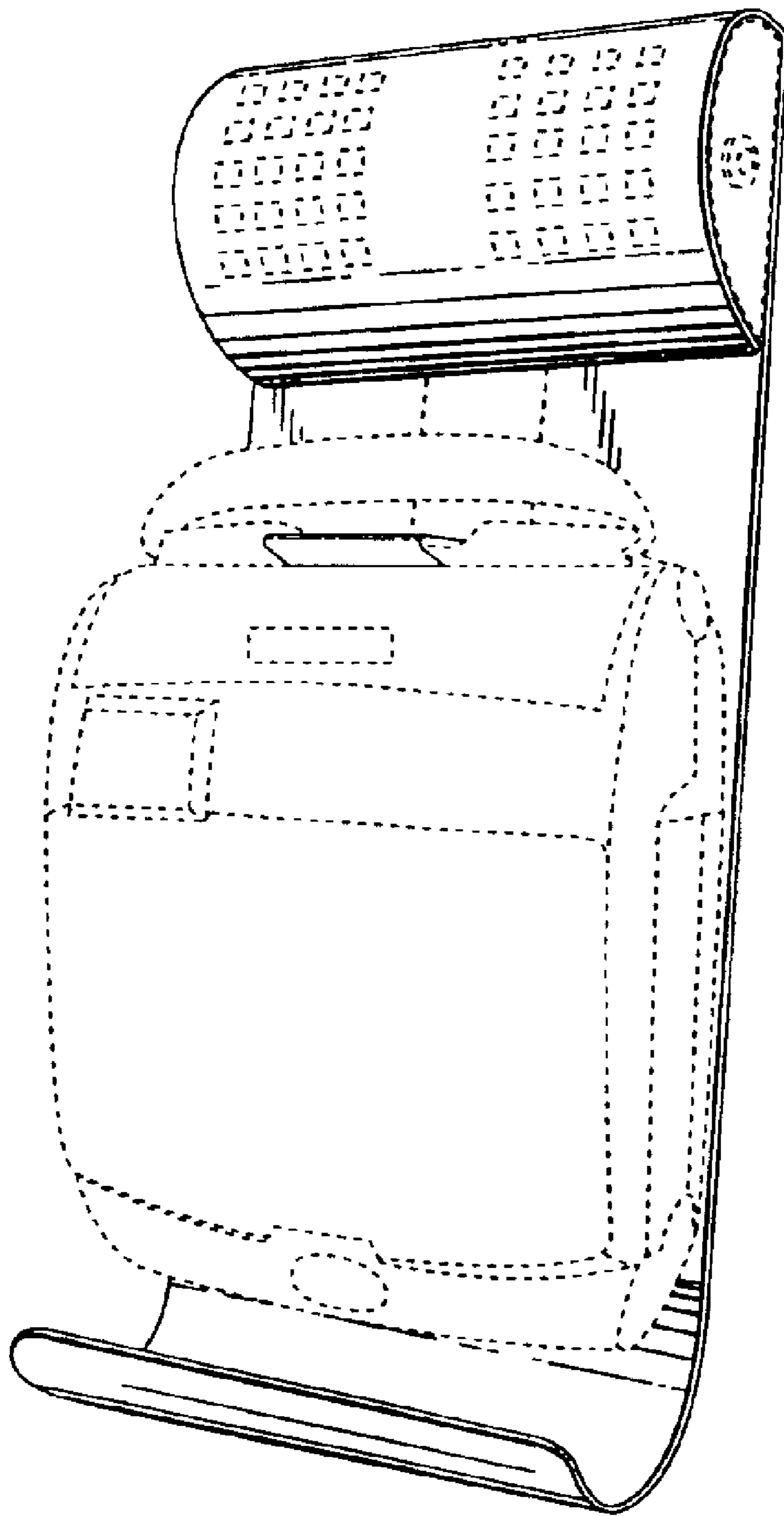


Fig. 8