



US00D521850S

(12) **United States Design Patent**  
**Richter et al.**

(10) **Patent No.:** **US D521,850 S**

(45) **Date of Patent:** **\*\* May 30, 2006**

(54) **WINDOW GRIP**

(75) Inventors: **Gary Lee Richter**, Reno, NV (US);  
**Bruce Edward Richter**, Reno, NV (US)

(73) Assignee: **Panavise Products, Inc.**, Reno, NV (US)

(\*\*) Term: **14 Years**

(21) Appl. No.: **29/194,089**

(22) Filed: **Nov. 20, 2003**

(51) **LOC (8) Cl.** ..... **08-05**

(52) **U.S. Cl.** ..... **D8/354**

(58) **Field of Classification Search** ..... D8/349,  
D8/354; 248/205.4, 205.6; 52/235; 16/406  
See application file for complete search history.

(56) **References Cited**

U.S. PATENT DOCUMENTS

5,102,090 A \* 4/1992 Farris et al. .... 248/674  
D360,710 S \* 7/1995 Colwell ..... D30/121  
5,909,758 A \* 6/1999 Kitamura ..... 16/406

D439,135 S \* 3/2001 Elmer ..... D8/349  
6,412,242 B1 \* 7/2002 Elmer ..... 52/235  
6,467,227 B1 \* 10/2002 Elmer ..... 52/235

\* cited by examiner

*Primary Examiner*—Holly H. Baynham

(74) *Attorney, Agent, or Firm*—The Walker Law Firm;  
Allan Grant

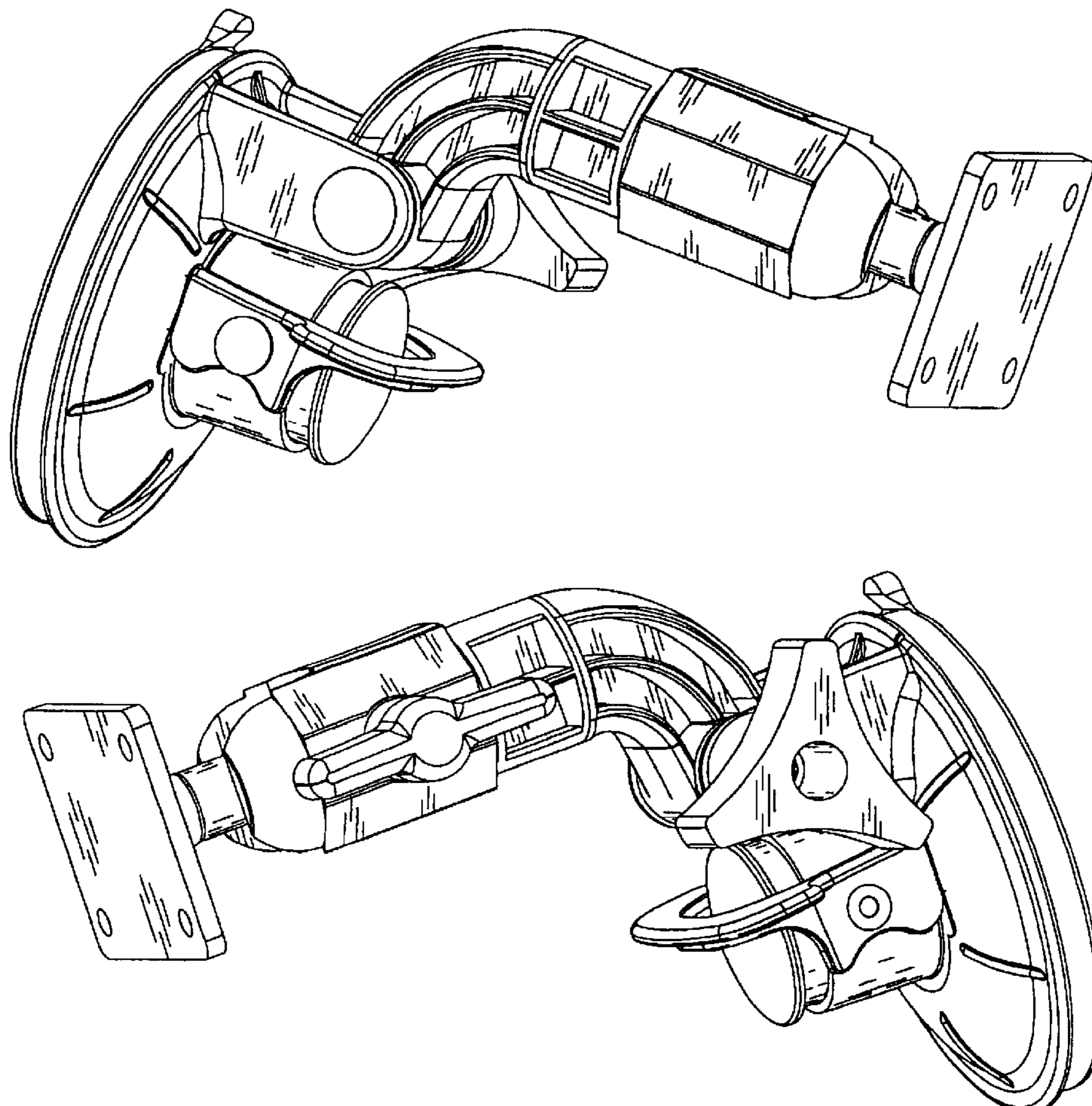
(57) **CLAIM**

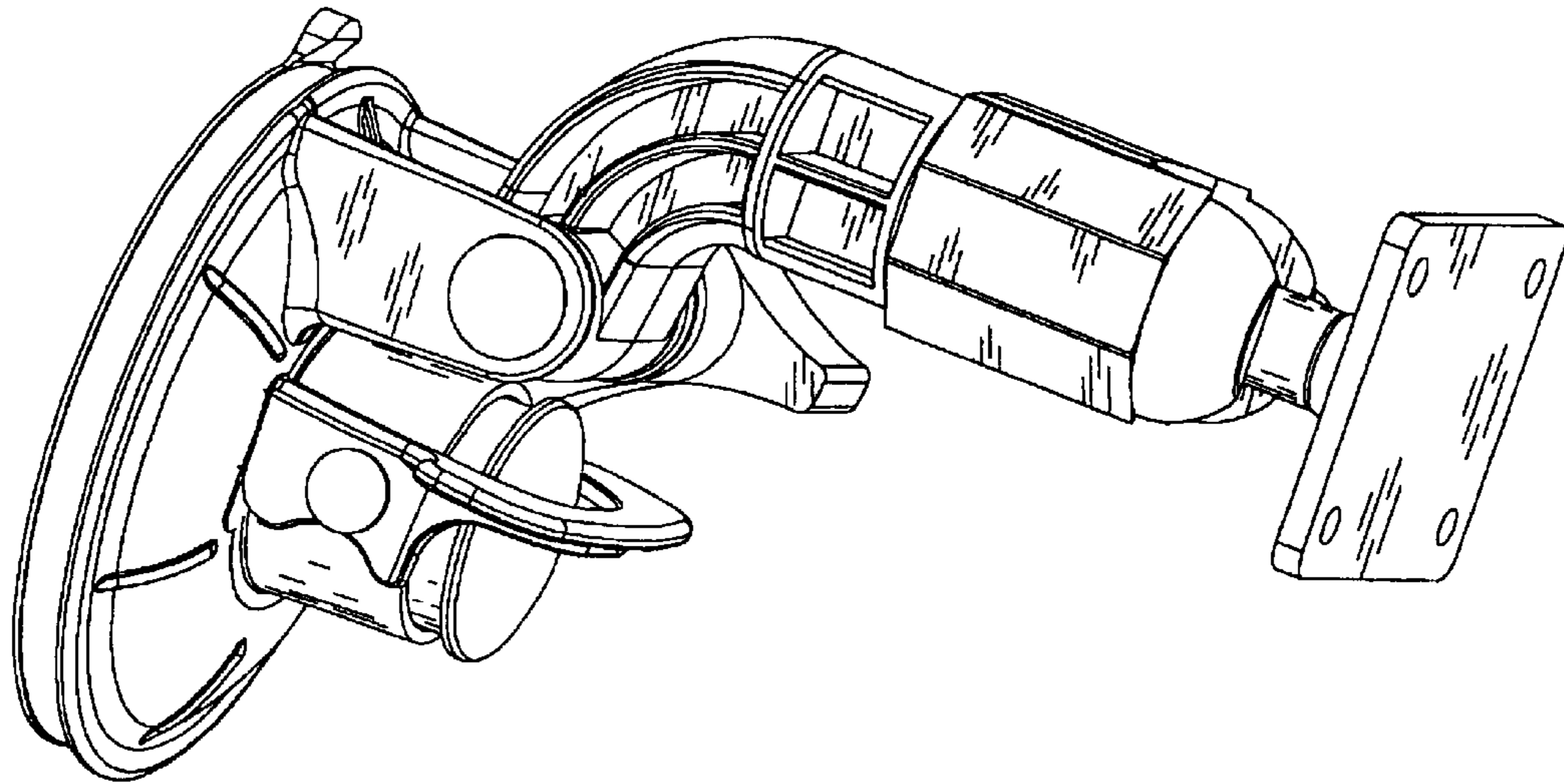
The ornamental design of a window grip, as shown and as described.

**DESCRIPTION**

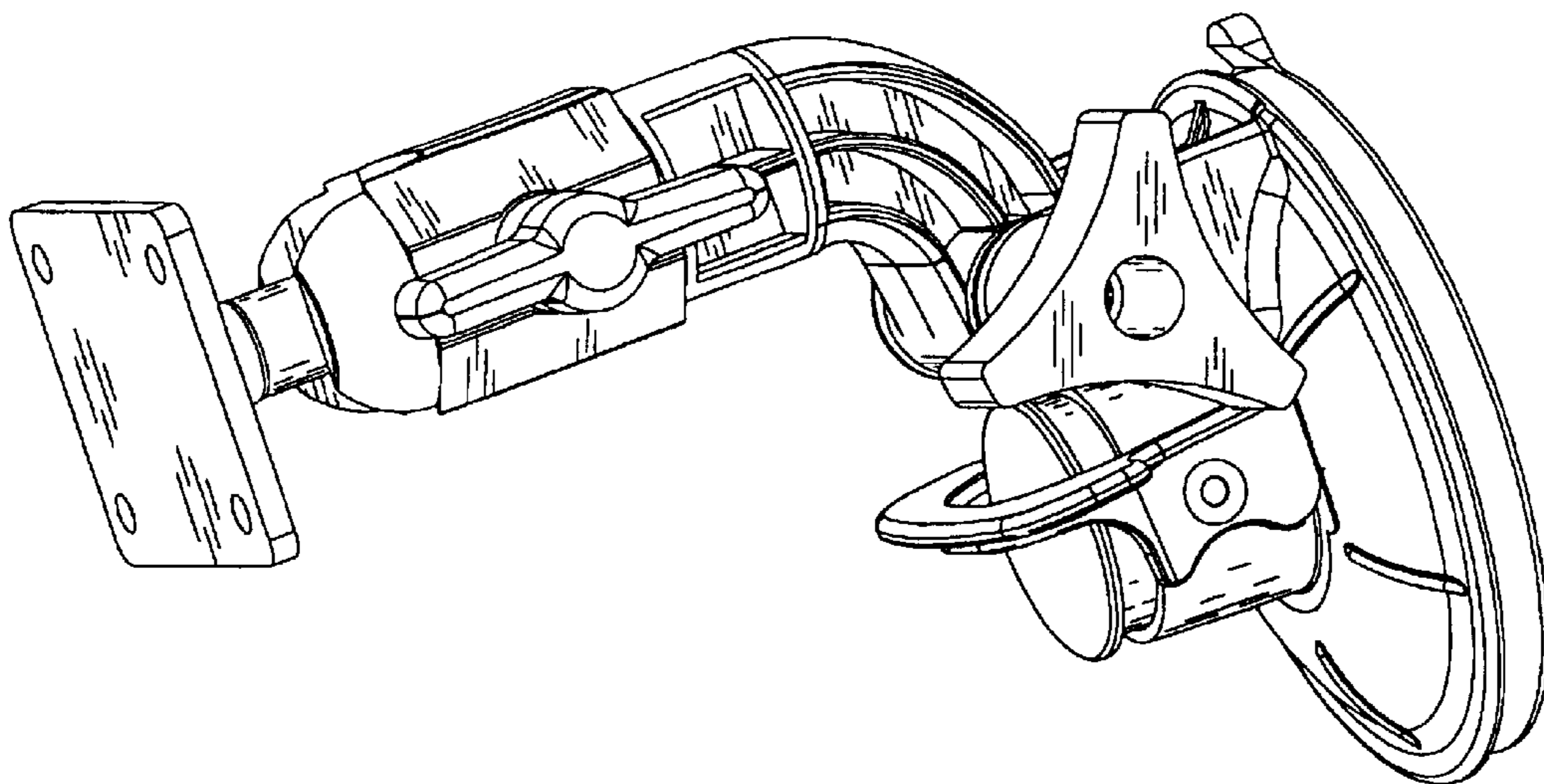
FIG. 1 is a perspective view from the left side of the window grip showing the front, side, and top; FIG. 2 is a perspective view from the right side of the window grip showing the front, side and top; FIG. 3 is a side view of the window grip. FIG. 4 is a top view of the window grip. FIG. 5 is a bottom view of the window grip. FIG. 6 is a back view of the window grip; and, FIG. 7 is a front view of the grip.

**1 Claim, 3 Drawing Sheets**

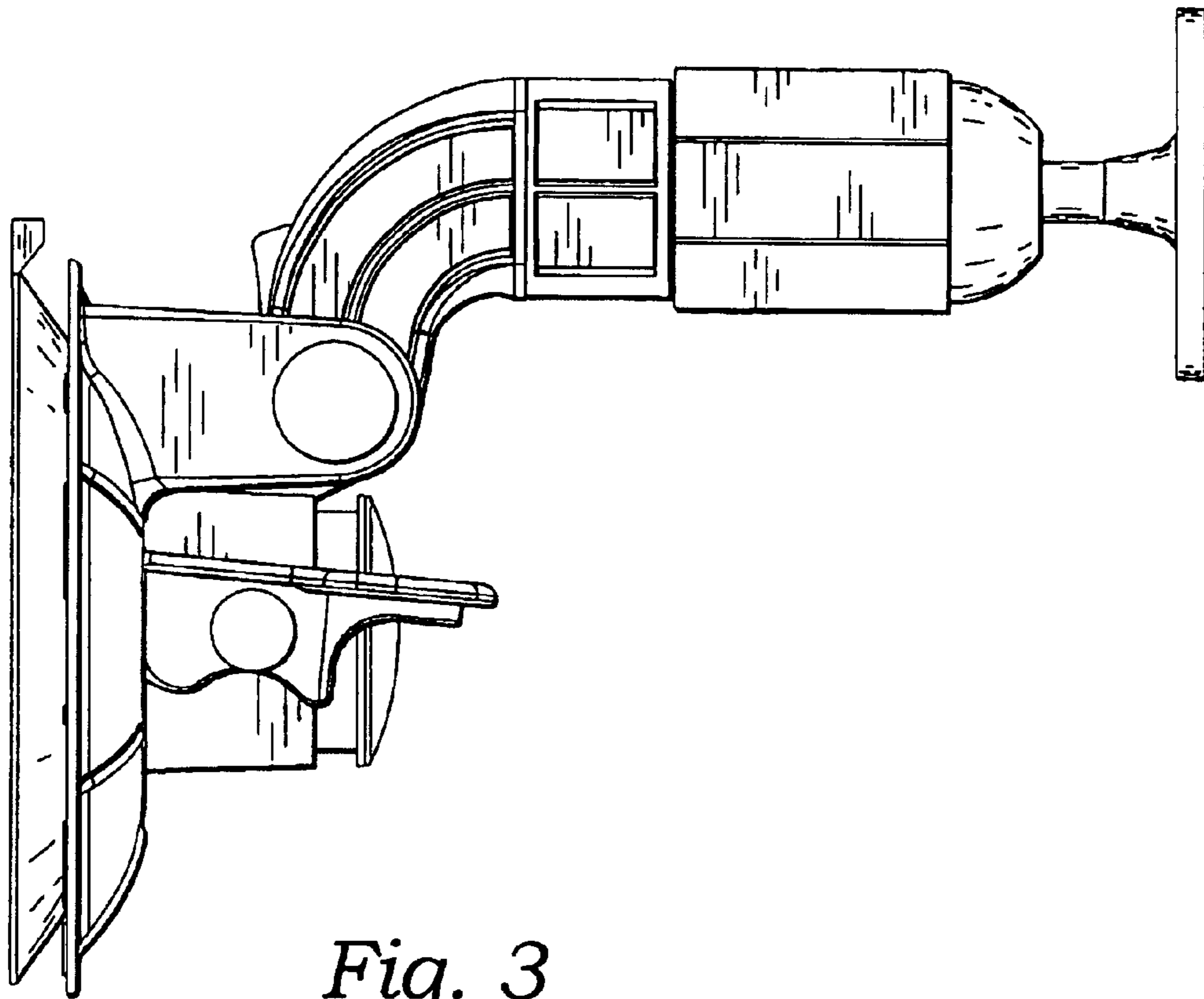




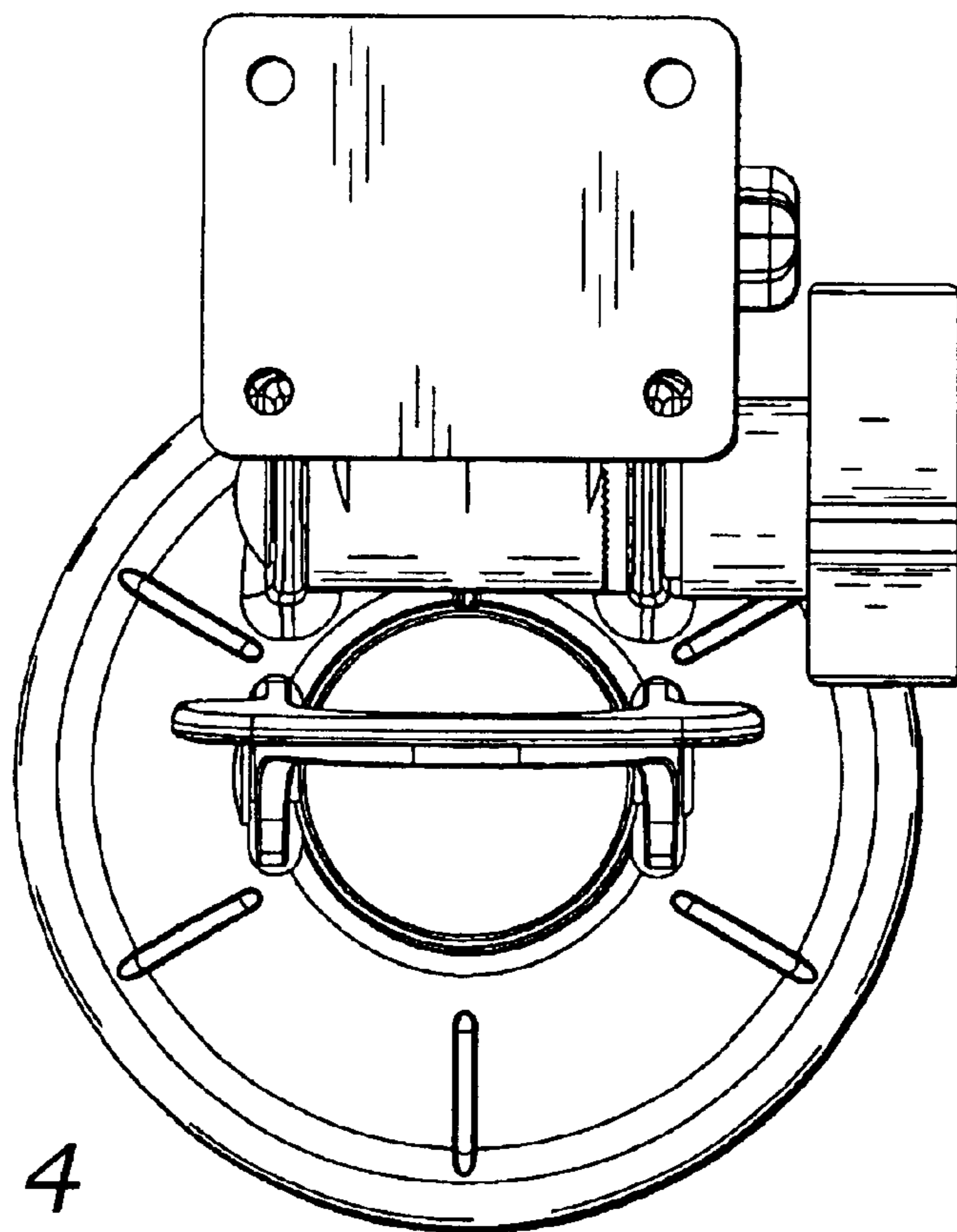
*Fig. 1*



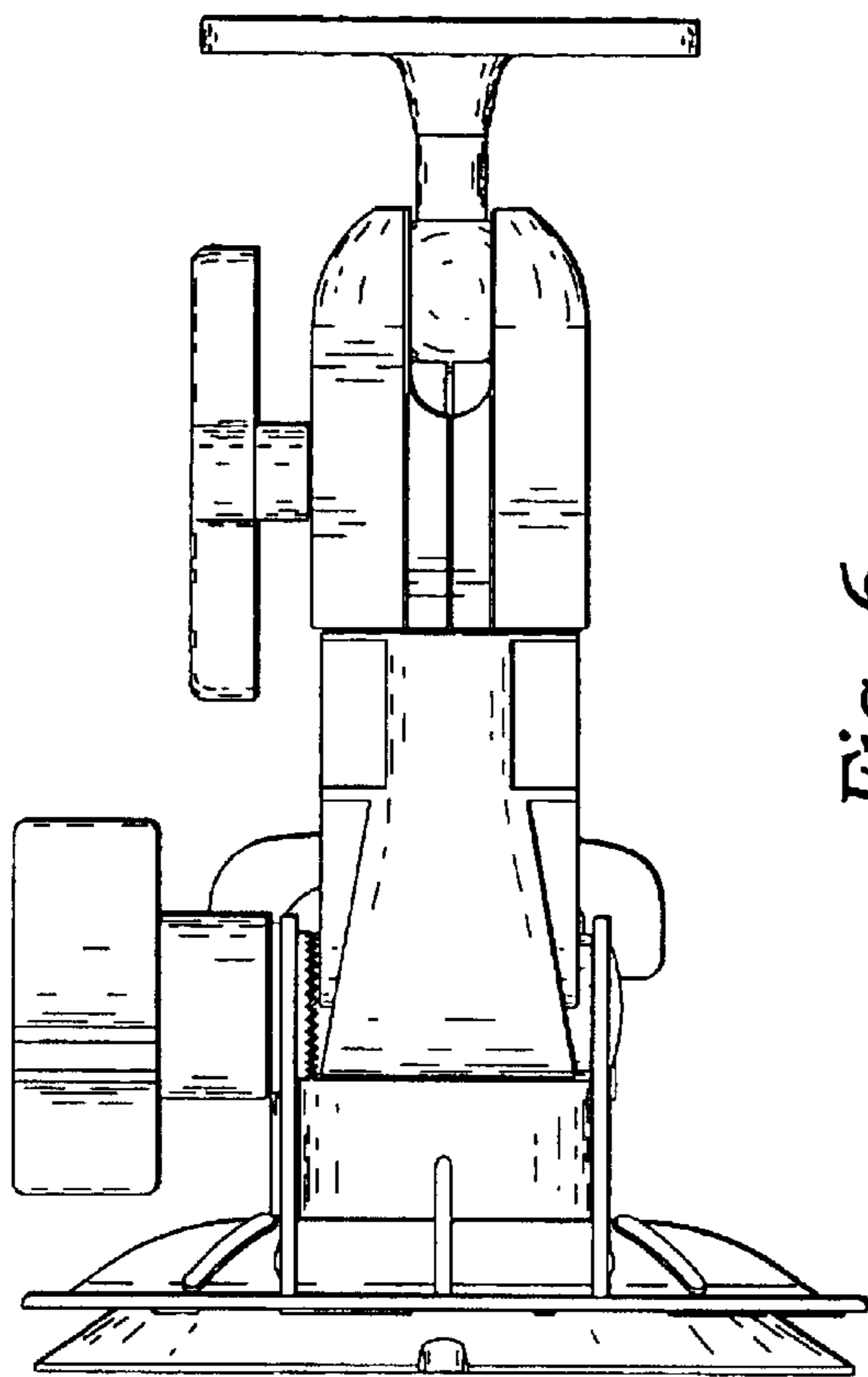
*Fig. 2*



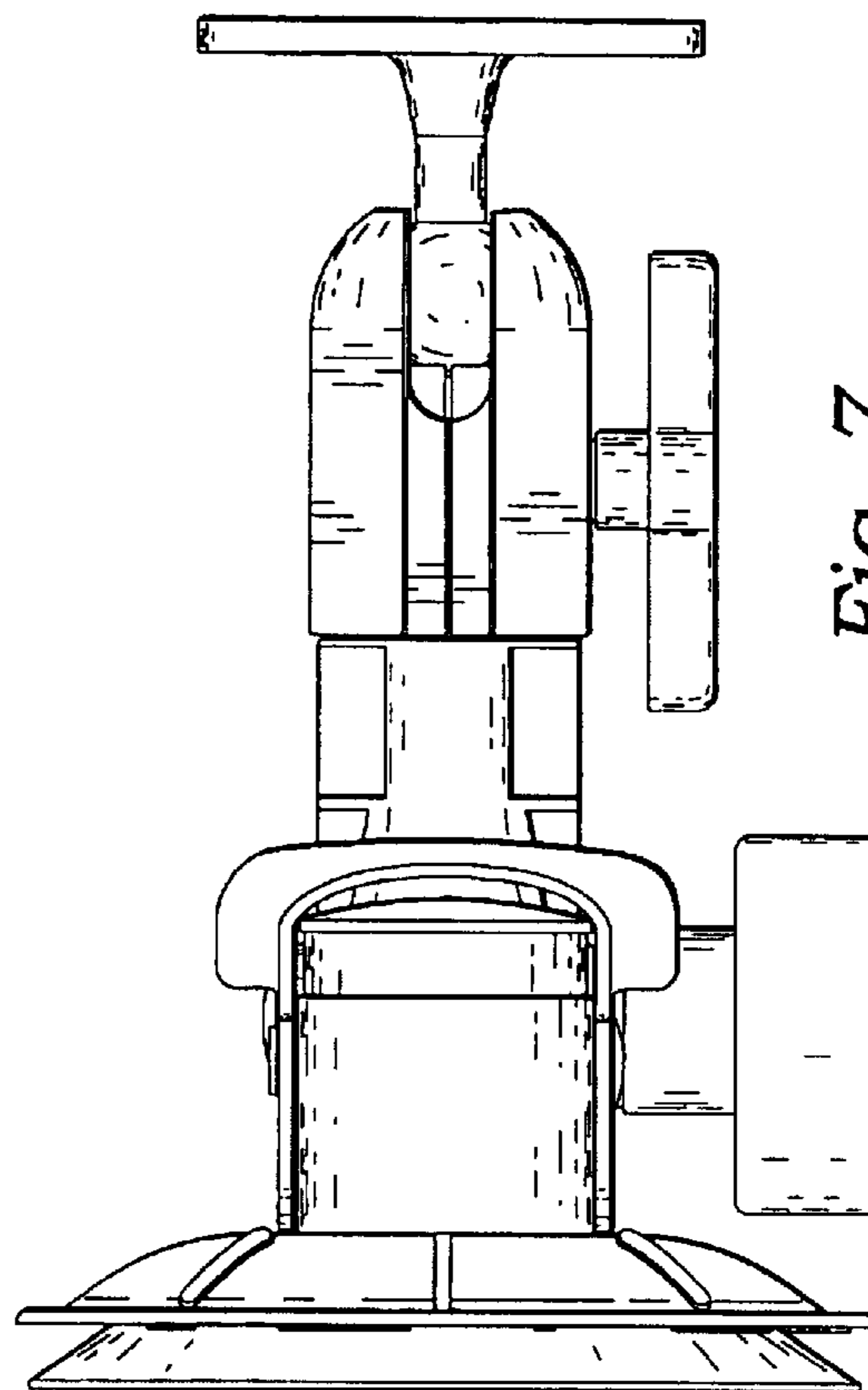
*Fig. 3*



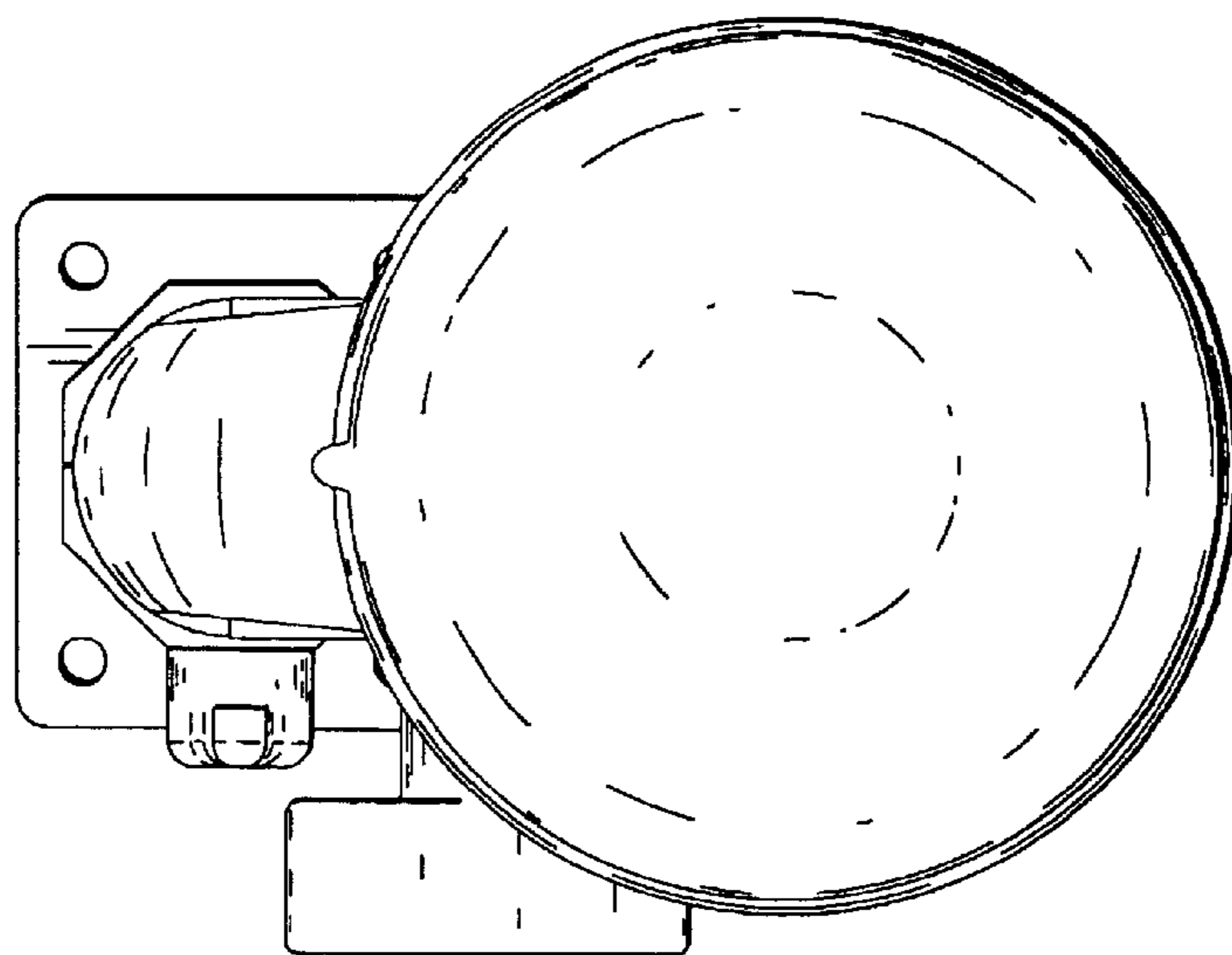
*Fig. 4*



*Fig. 6*



*Fig. 7*



*Fig. 5*