

US00D521848S

(12) **United States Design Patent**
Anderson

(10) **Patent No.:** **US D521,848 S**

(45) **Date of Patent:** **** May 30, 2006**

(54) **SECURITY BOX FOR A TELEVISION AUDIO CONTROLLER**

(76) Inventor: **Lester A. Anderson**, 8275 Grandstaff Dr., Sacramento, CA (US) 95823

(**) Term: **14 Years**

(21) Appl. No.: **29/218,465**

(22) Filed: **Dec. 2, 2004**

(51) **LOC (8) Cl.** **08-07**

(52) **U.S. Cl.** **D8/330**

(58) **Field of Classification Search** D8/330,
D8/331, 343, 346, 374, 499; 70/1, 5, 14,
70/57, 57.1, 58, 63, 64, 69, 77, 78, 158, 159,
70/271, 266, 274, 431, 434, 443; 206/387.11,
206/307; 220/260.81

See application file for complete search history.

(56) **References Cited**

U.S. PATENT DOCUMENTS

D190,148 S	*	4/1961	Reuben	D10/106
D280,381 S	*	9/1985	Schultz	D8/330
D325,374 S	*	4/1992	Ashby	D13/154
D336,418 S	*	6/1993	Carter	D8/330
D344,443 S	*	2/1994	Ashby	D8/346
5,555,752 A	*	9/1996	Fitzpatrick	70/159
6,125,668 A	*	10/2000	Belden, Jr.	70/57.1
6,240,750 B1	*	6/2001	Gillespie et al.	70/57.1

6,578,393 B1	*	6/2003	Yarborough	70/56
D492,573 S		7/2004	Karamanos et al.		
D495,234 S		8/2004	Fisher et al.		
6,896,232 B1	*	5/2005	Crowell et al.	248/316.4
6,905,024 B1	*	6/2005	Cao et al.	206/461
6,955,068 B1	*	10/2005	Gelardi	70/58

* cited by examiner

Primary Examiner—Prabhakar Deshmukh

(74) *Attorney, Agent, or Firm*—Dennis A. DeBoo

(57) **CLAIM**

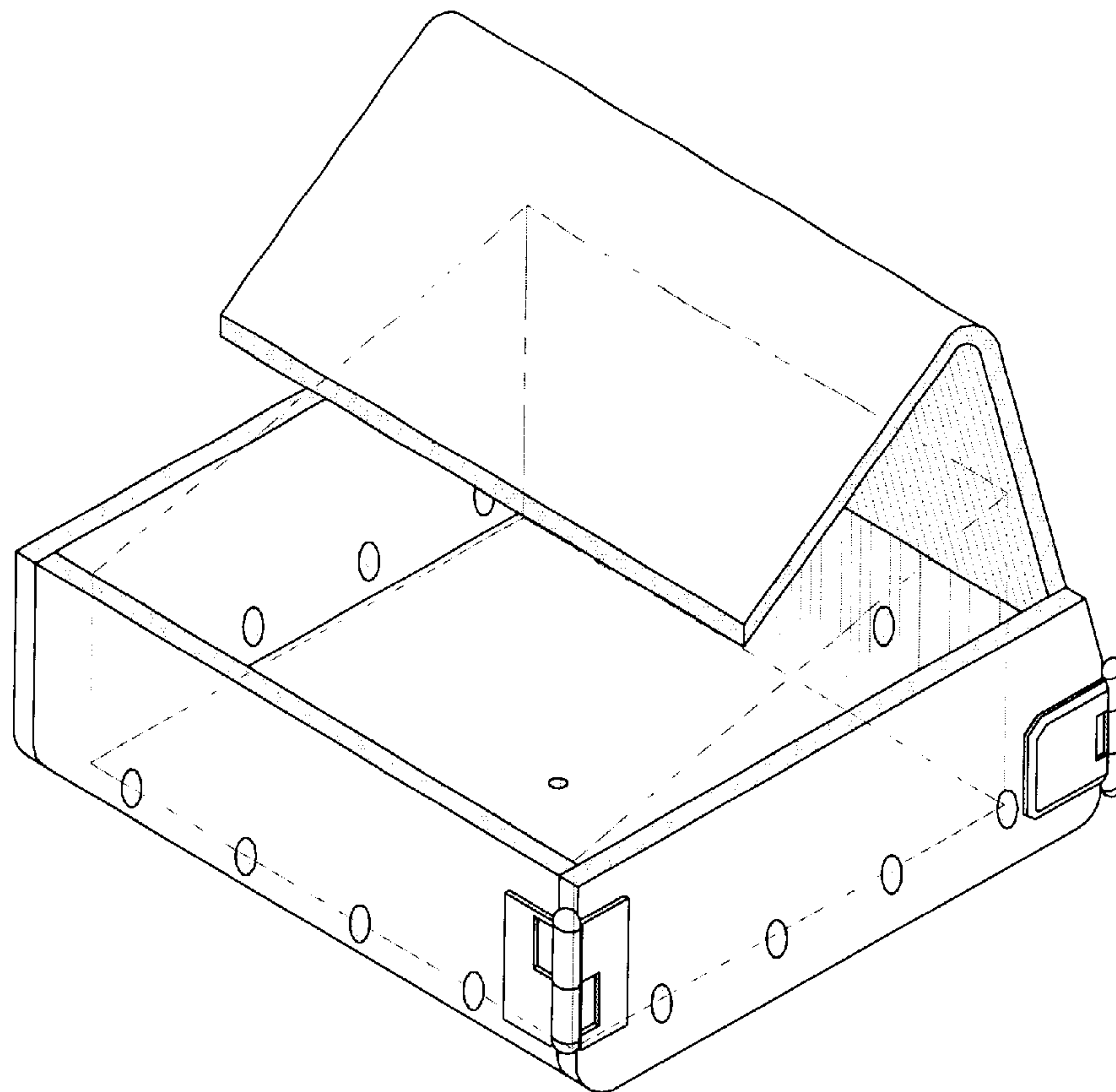
The ornamental design for a security box for a television audio controller, as shown and described.

DESCRIPTION

FIG. 1 is a top, front, and right side perspective view of a security box for a television audio controller with its side door closed, showing my new design; FIG. 2 is a right side elevational view thereof; FIG. 3 is a front elevational view thereof; FIG. 4 is a rear elevational view thereof; FIG. 5 is a top view thereof; FIG. 6 is a bottom view thereof; and, FIG. 7 is a top, front and right side perspective view of the security box for a television audio controller with its side door open.

The broken lines in FIG. 1 is for purposes of illustration only and form no part of the claimed design.

1 Claim, 4 Drawing Sheets



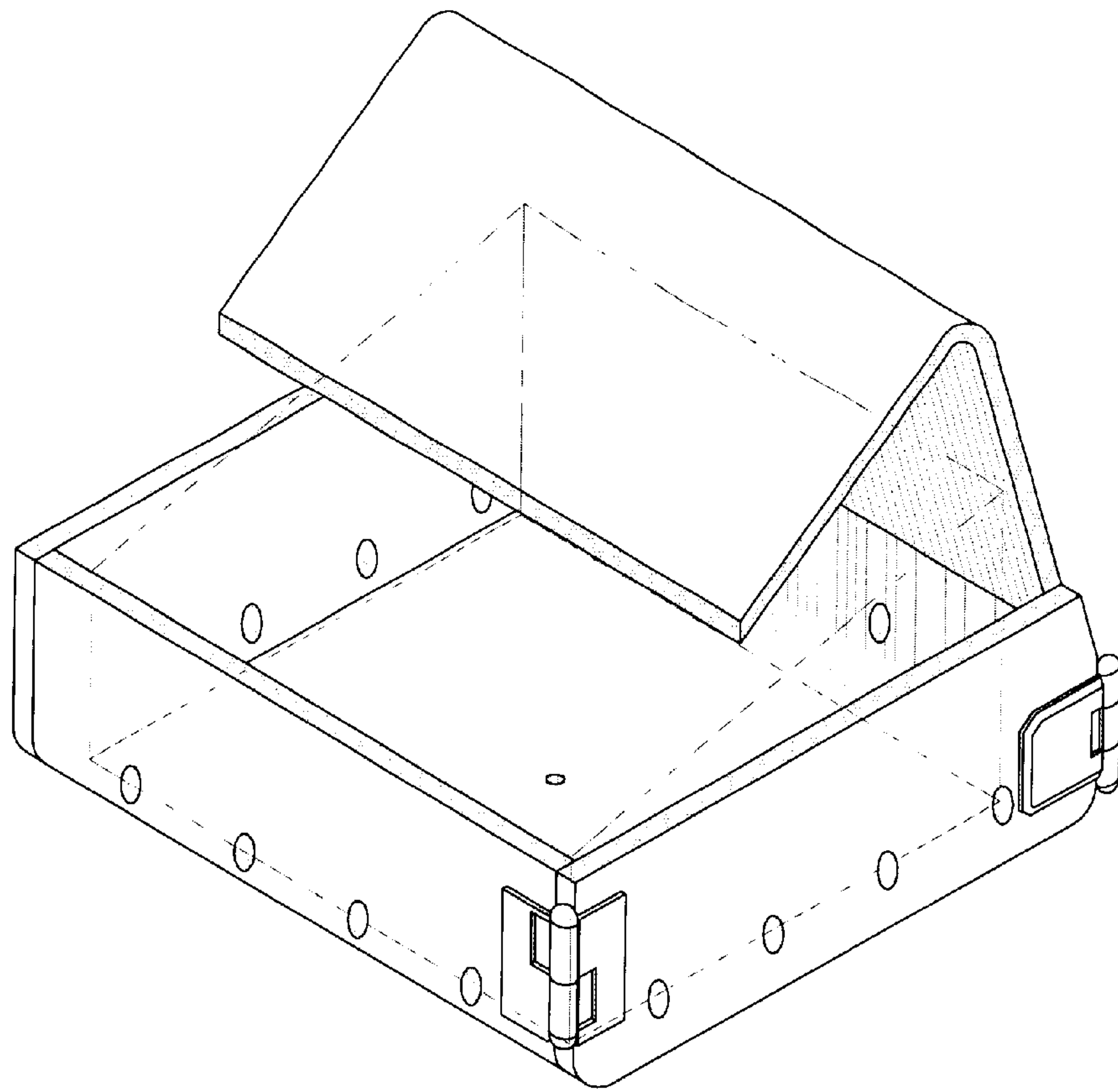


FIG-1

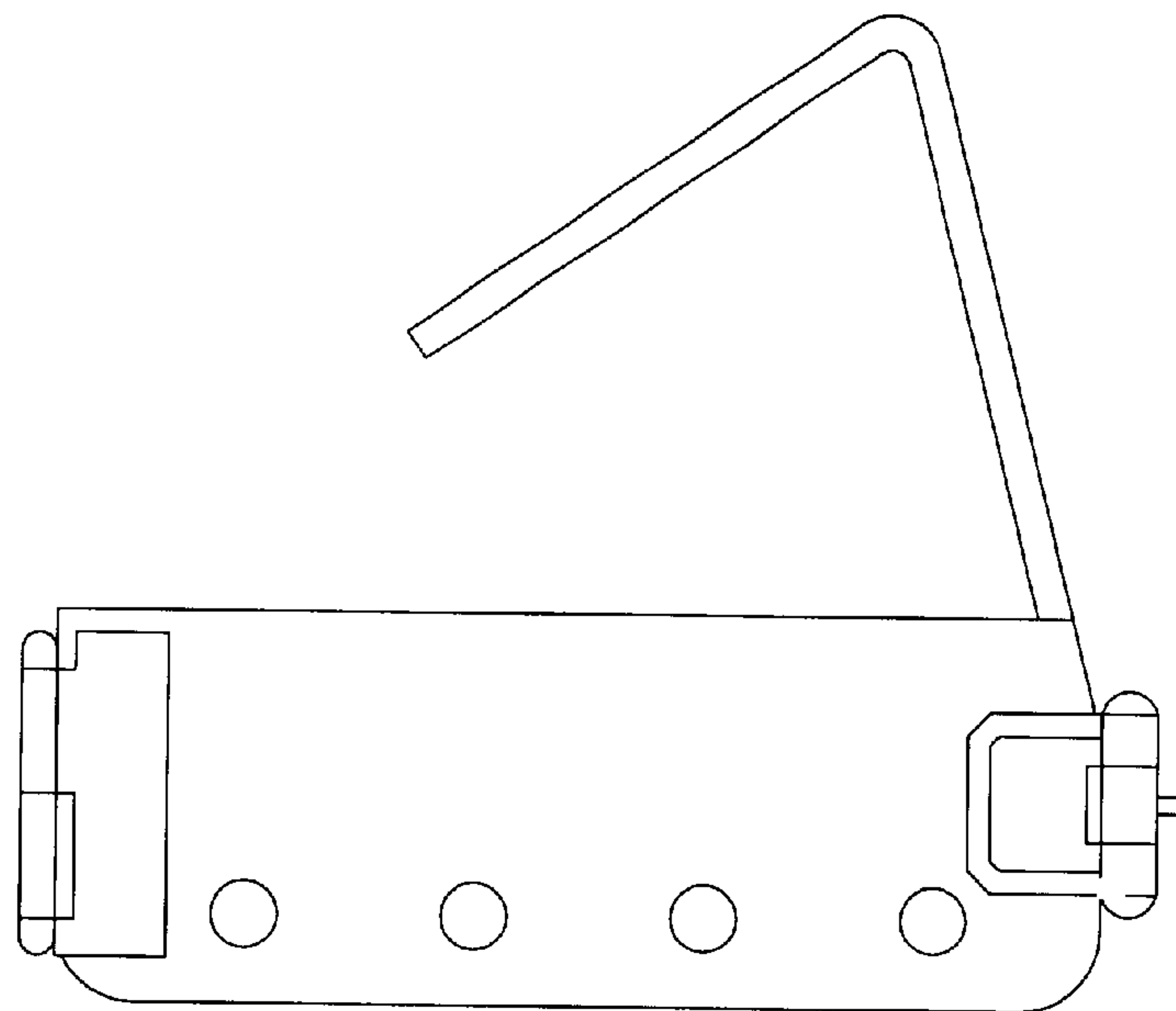


FIG-2

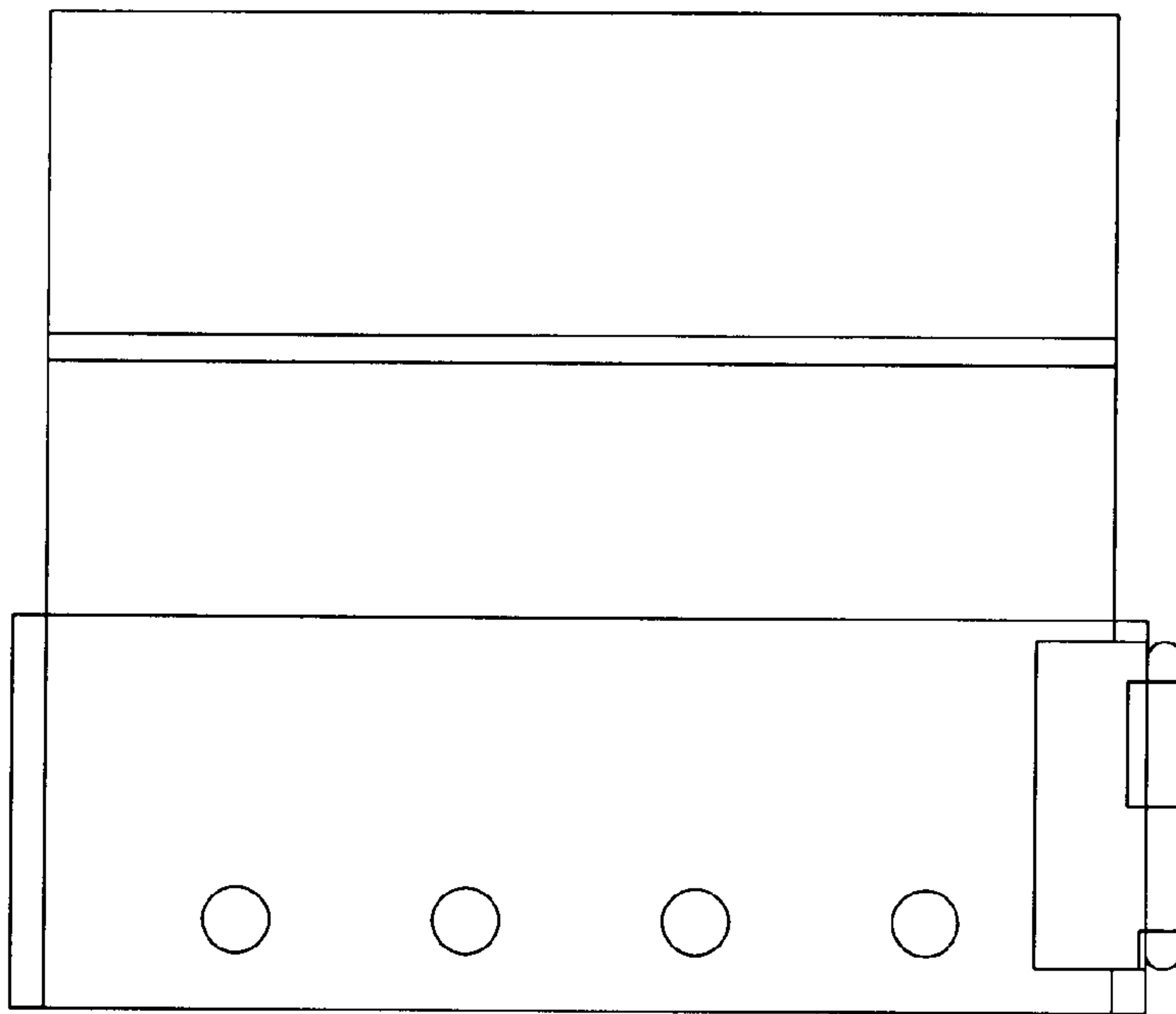


FIG-3

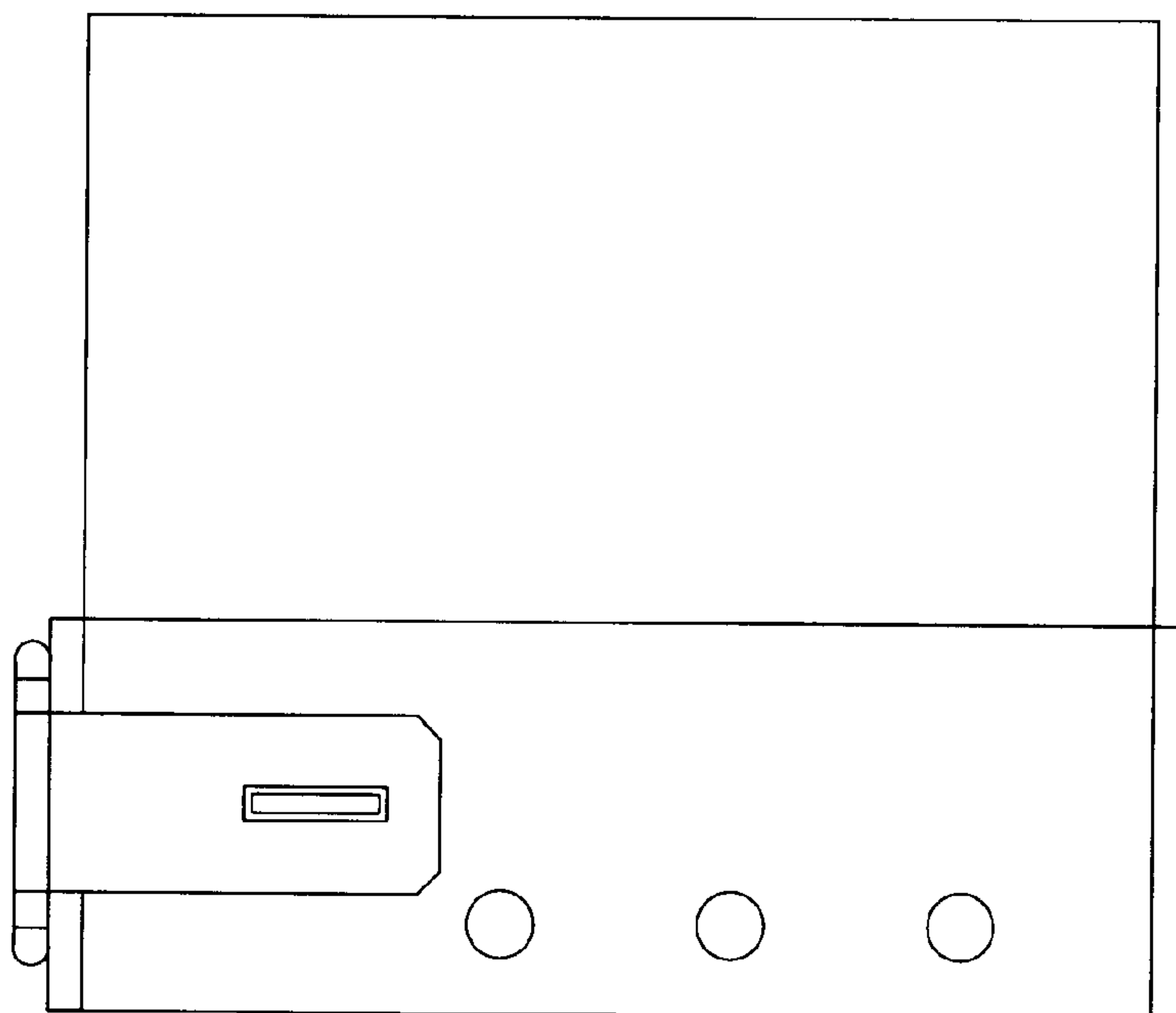


FIG-4

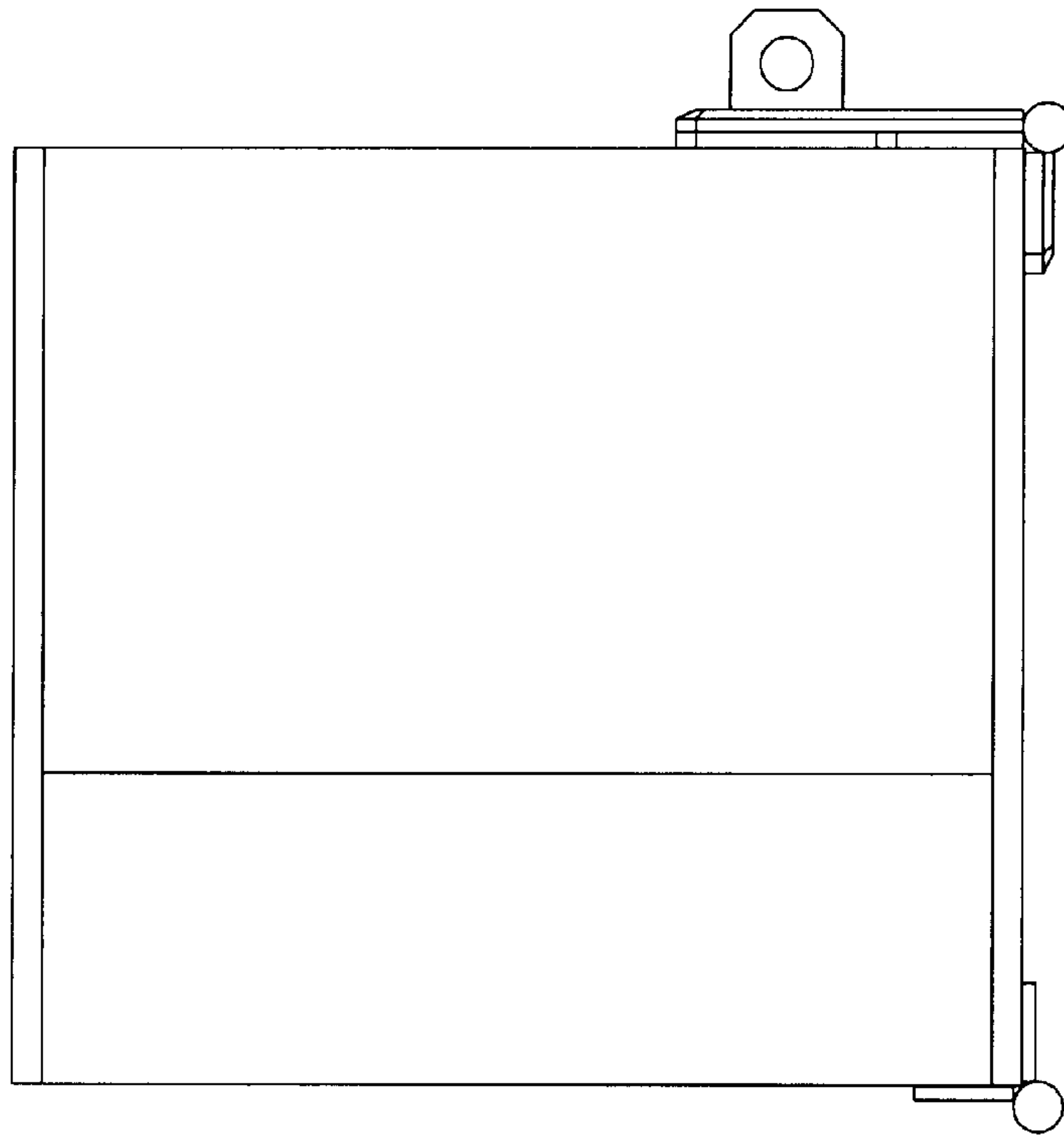


FIG-5

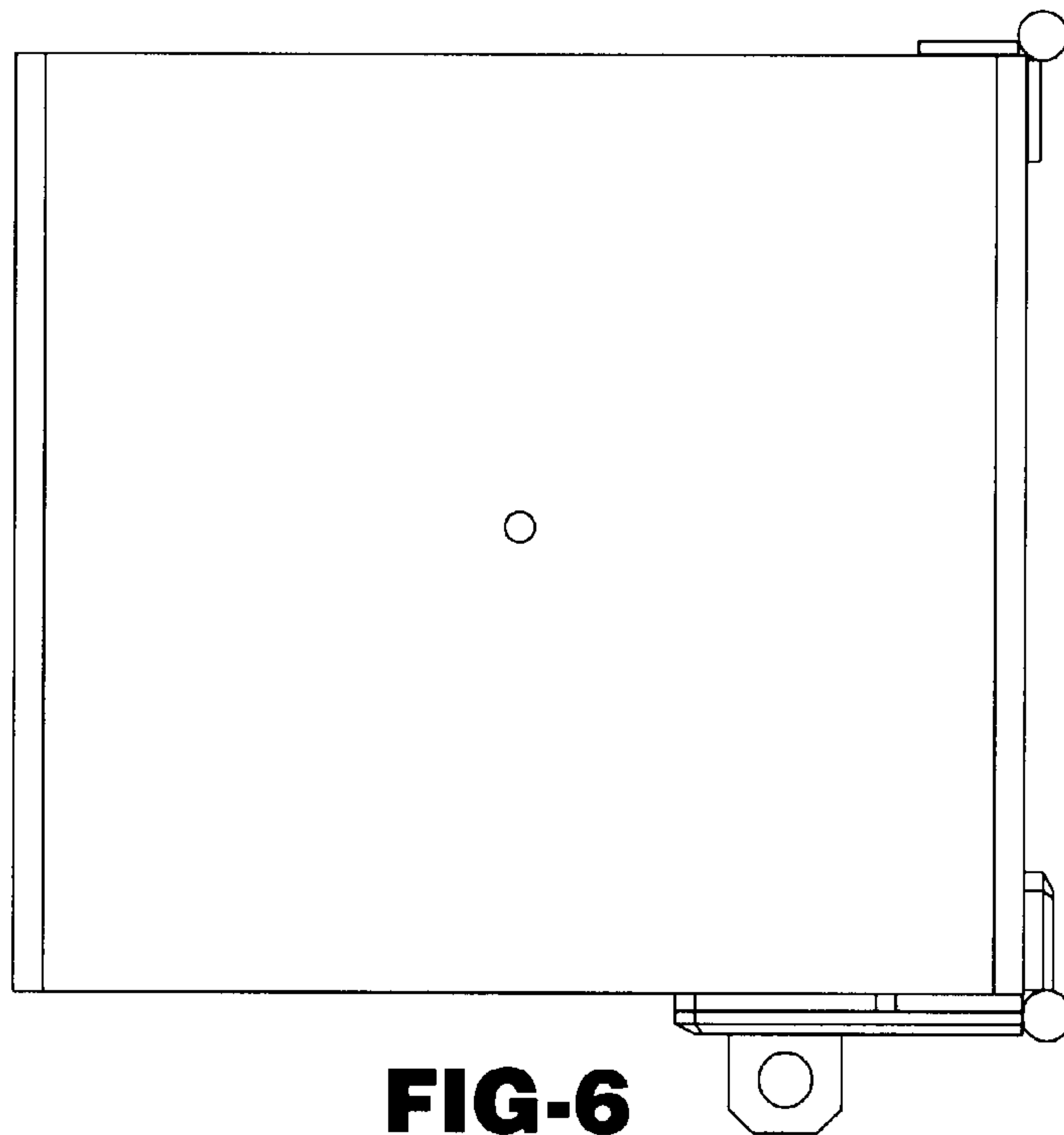


FIG-6

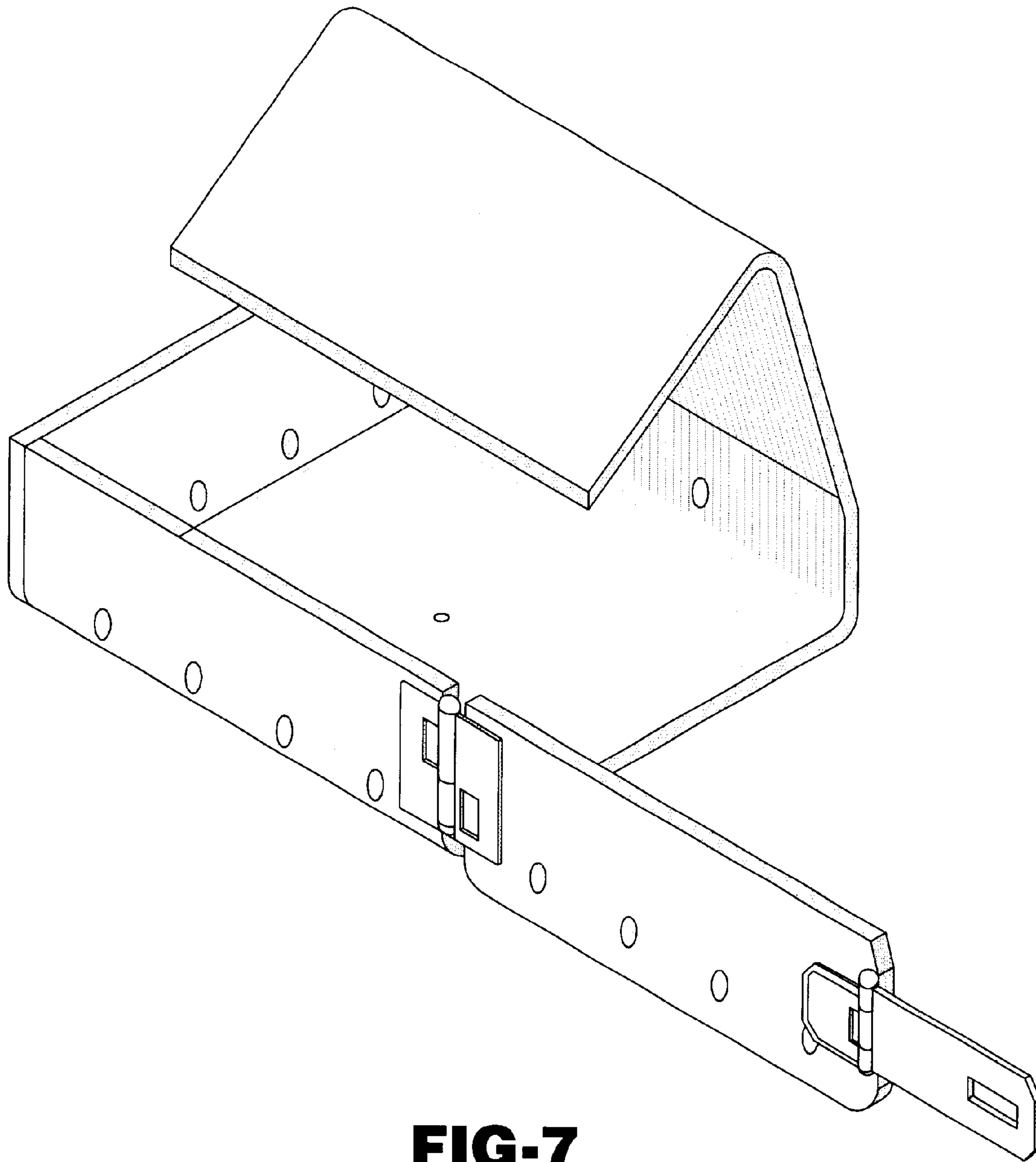


FIG-7