



US00D521847S

(12) **United States Design Patent** (10) **Patent No.:** **US D521,847 S**
Vetter et al. (45) **Date of Patent:** **** May 30, 2006**

(54) **FOLDING HANDLE AND OPERATOR COVER**

(75) Inventors: **Gregory J. Vetter**, Owatonna, MN (US); **Alan L. Frank**, Owatonna, MN (US); **Brian Dallmann**, Owatonna, MN (US); **Glen M. Wolf**, Owatonna, MN (US)

(73) Assignee: **Truth Hardware Corporation**, Owatonna, MN (US)

(**) Term: **14 Years**

(21) Appl. No.: **29/222,693**

(22) Filed: **Feb. 2, 2005**

(51) **LOC (8) Cl.** **08-06**

(52) **U.S. Cl.** **D8/309**

(58) **Field of Classification Search** D8/300, D8/307-309, 337-338, 322, 344, 400; 16/110 R, 16/111 R, 429, 900; 74/89.14, 523, 545-547, 74/528, 543, 557, 606 R; 49/324, 345, 342, 49/341, 337, 279; 292/198, 200, 202, 210, 292/336.3, DIG. 33, DIG. 31, DIG. 20; 70/208-209; 242/283

See application file for complete search history.

(56) **References Cited**

U.S. PATENT DOCUMENTS

1,274,471 A	8/1918	Todd	
2,355,932 A	8/1944	Walton	
D160,682 S	* 10/1950	Zarbock	D8/400
3,007,348 A	11/1961	Barnes	
3,044,478 A	7/1962	Russell	
D198,202 S	* 5/1964	Morgan	D8/400
D217,718 S	6/1970	Magers et al.	
4,392,330 A	7/1983	Buhr	
5,006,766 A	4/1991	Yuhas et al.	
D331,531 S	12/1992	Guhl et al.	
D347,569 S	6/1994	Vetter et al.	
D350,666 S	9/1994	Wobschall et al.	
5,400,473 A	3/1995	Delman	
D360,357 S	7/1995	Peterson et al.	

D361,490 S	8/1995	Vetter
5,467,503 A	11/1995	Nolte et al.
D365,513 S	12/1995	Vetter et al.
D369,741 S	5/1996	Harrison et al.
5,531,138 A	7/1996	Vetter
5,551,316 A	9/1996	Blank
D375,042 S	10/1996	Anderson et al.
5,560,082 A	10/1996	Vetter
D375,254 S	11/1996	Anderson et al.
D375,445 S	11/1996	Harrison et al.

(Continued)

Primary Examiner—Paula A. Greene

(74) *Attorney, Agent, or Firm*—Patterson, Thunte, Skaar & Christensen, P.A.

(57) **CLAIM**

We claim the ornamental design for folding handle and operator cover, as shown and described.

DESCRIPTION

FIG. 1 is a front perspective view of a folding handle and operator cover according to an embodiment of the invention with the folding handle in a folded position and, for context, depicted in position on a window sill;

FIG. 2 is a front perspective view of a folding handle and operator cover according to an embodiment of the invention with the folding handle in an unfolded position;

FIG. 3 is a top plan view of a folding handle and operator cover according to an embodiment of the invention;

FIG. 4 is a front elevation view of a folding handle and operator cover according to an embodiment of the invention;

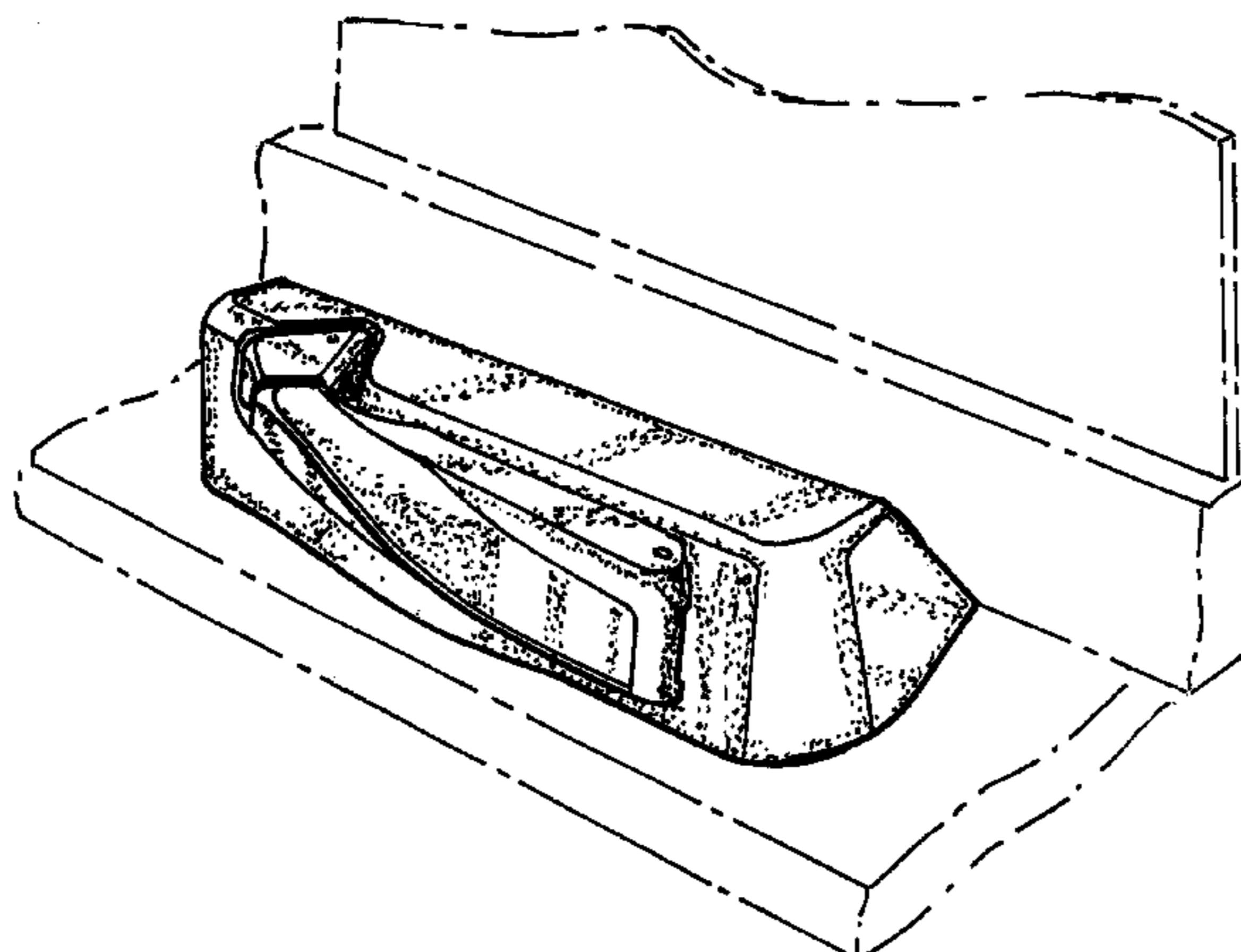
FIG. 5 is a rear elevation view of a folding handle and operator cover according to an embodiment of the invention;

FIG. 6 is a side elevation view of a first side of a folding handle and operator cover according to an embodiment of the invention; and,

FIG. 7 is a side elevation view of the opposing side of a folding handle and operator cover, according to an embodiment of the invention.

The broken lines are for illustrative purposes only and forms no part of the claimed design.

1 Claim, 2 Drawing Sheets



US D521,847 S

Page 2

U.S. PATENT DOCUMENTS

D375,674 S	11/1996	Anderson et al.	D421,209 S	2/2000	Buckland
D376,099 S	12/1996	Orf et al.	6,039,363 A	3/2000	Sugimura et al.
5,620,213 A	4/1997	Ellis	6,164,156 A	12/2000	Purcell
D379,917 S	6/1997	Vetter et al.	6,174,005 B1	1/2001	Norton
D390,454 S	2/1998	Vetter et al.	6,227,581 B1	5/2001	Lambert
D390,777 S	2/1998	Peterson et al.	D450,237 S	11/2001	Vande Steeg et al.
5,740,632 A	4/1998	Peterson et al.	D451,781 S	12/2001	Vande Steeg et al.
5,765,308 A	6/1998	Anderson et al.	D452,999 S	1/2002	Vande Steeg et al.
5,813,171 A	9/1998	Piltingsrud	D459,193 S	6/2002	Vande Steeg et al.
D408,274 S	4/1999	Vetter et al.	D459,982 S	7/2002	Vande Steeg et al.
D408,729 S	4/1999	Virkler et al.	D476,882 S	7/2003	Gledhill et al.
5,937,582 A	8/1999	Taylor	6,640,389 B1	11/2003	Van Klompenburg et al.
D418,050 S	12/1999	Lisiecki et al.	D494,850 S	8/2004	Braun et al.

* cited by examiner

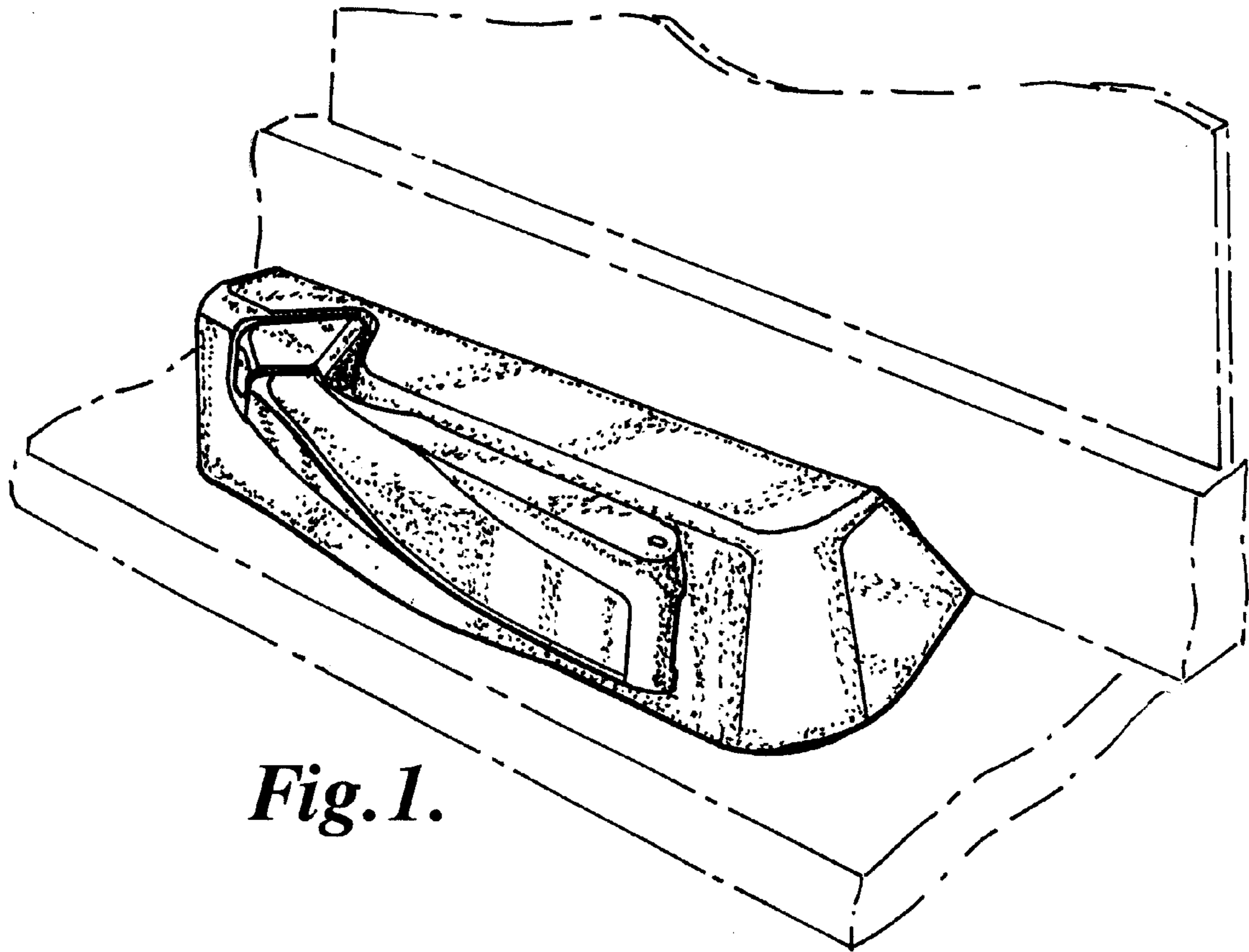


Fig. 1.

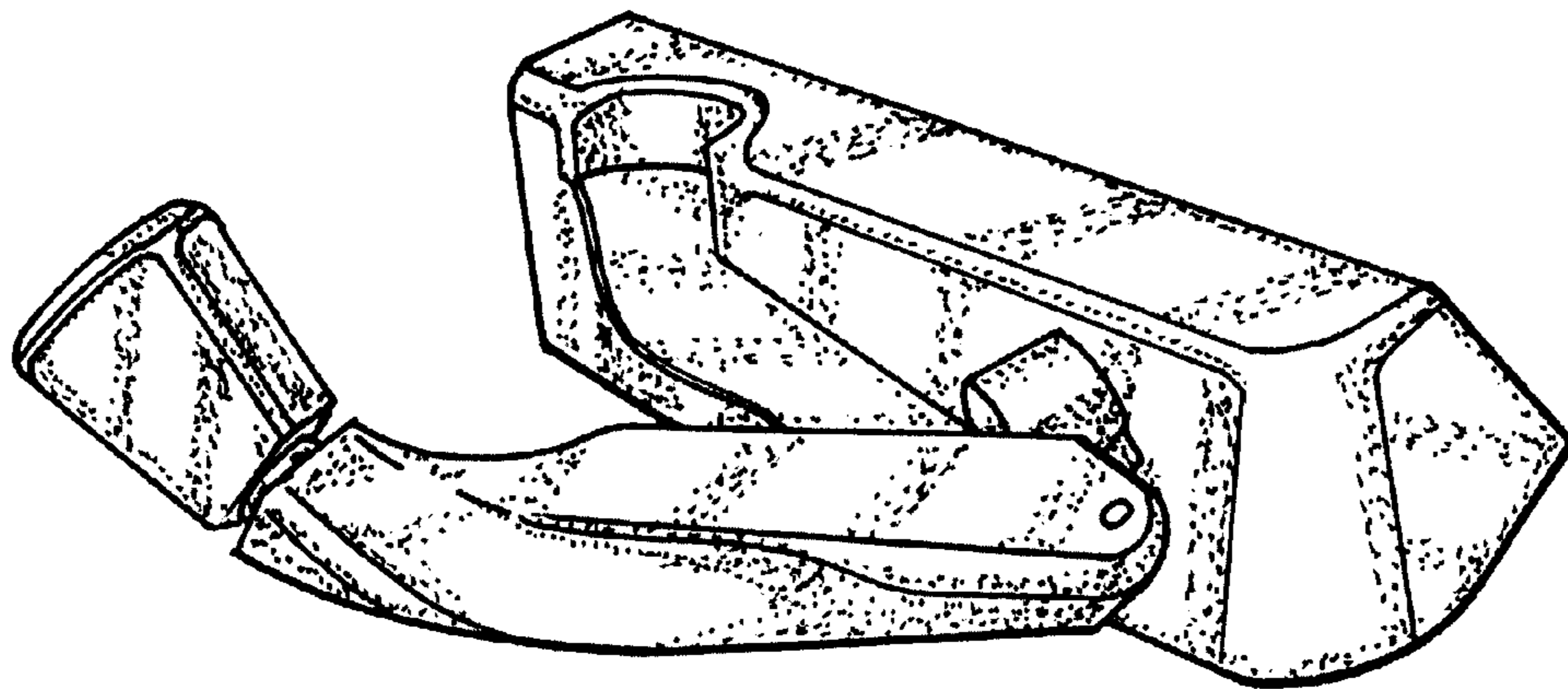


Fig. 2.

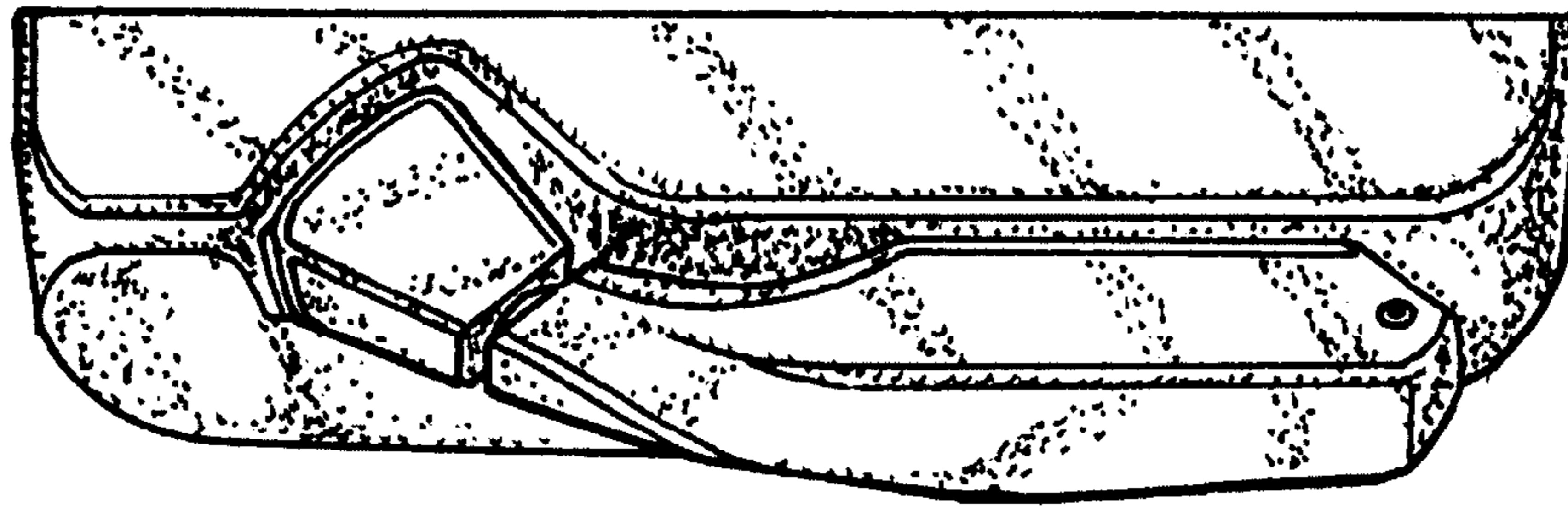


Fig. 3.

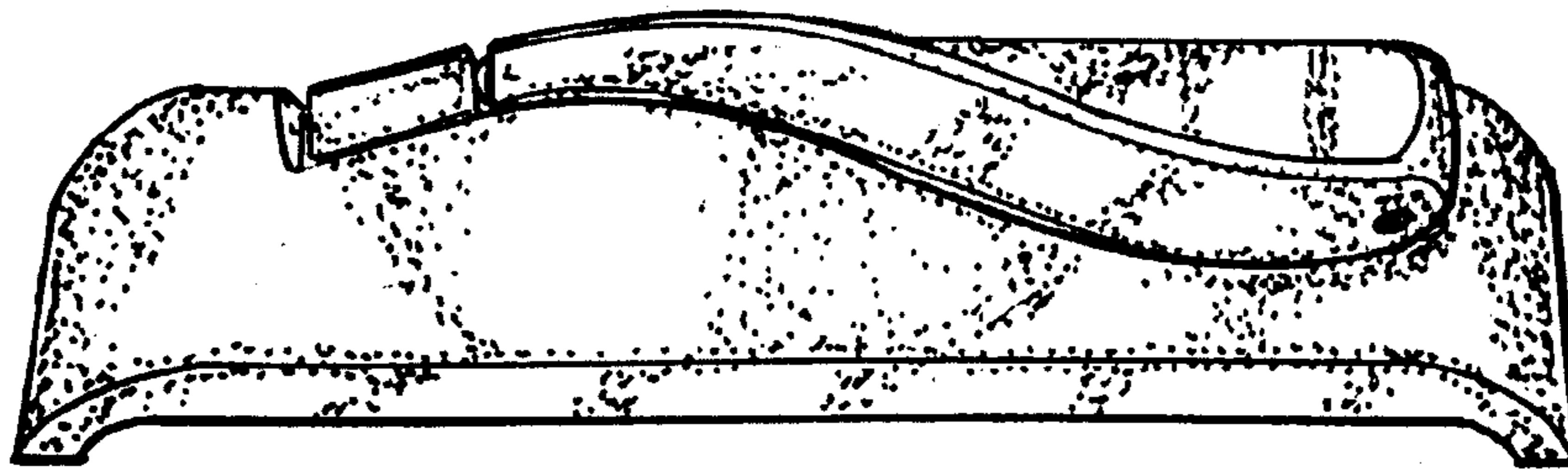


Fig. 4.

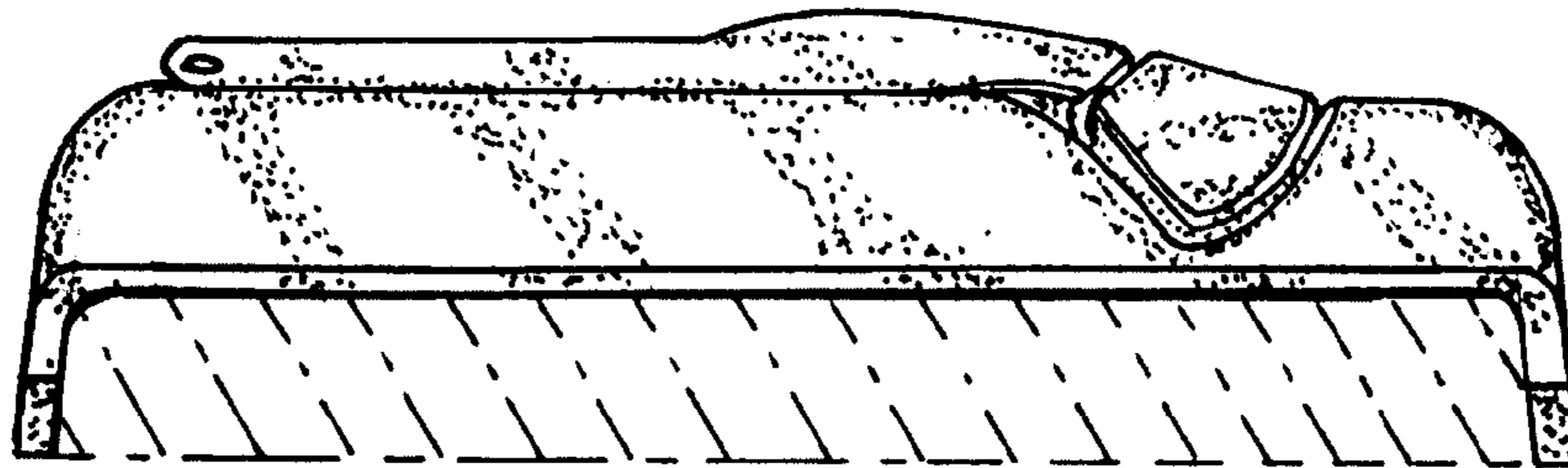


Fig. 5.

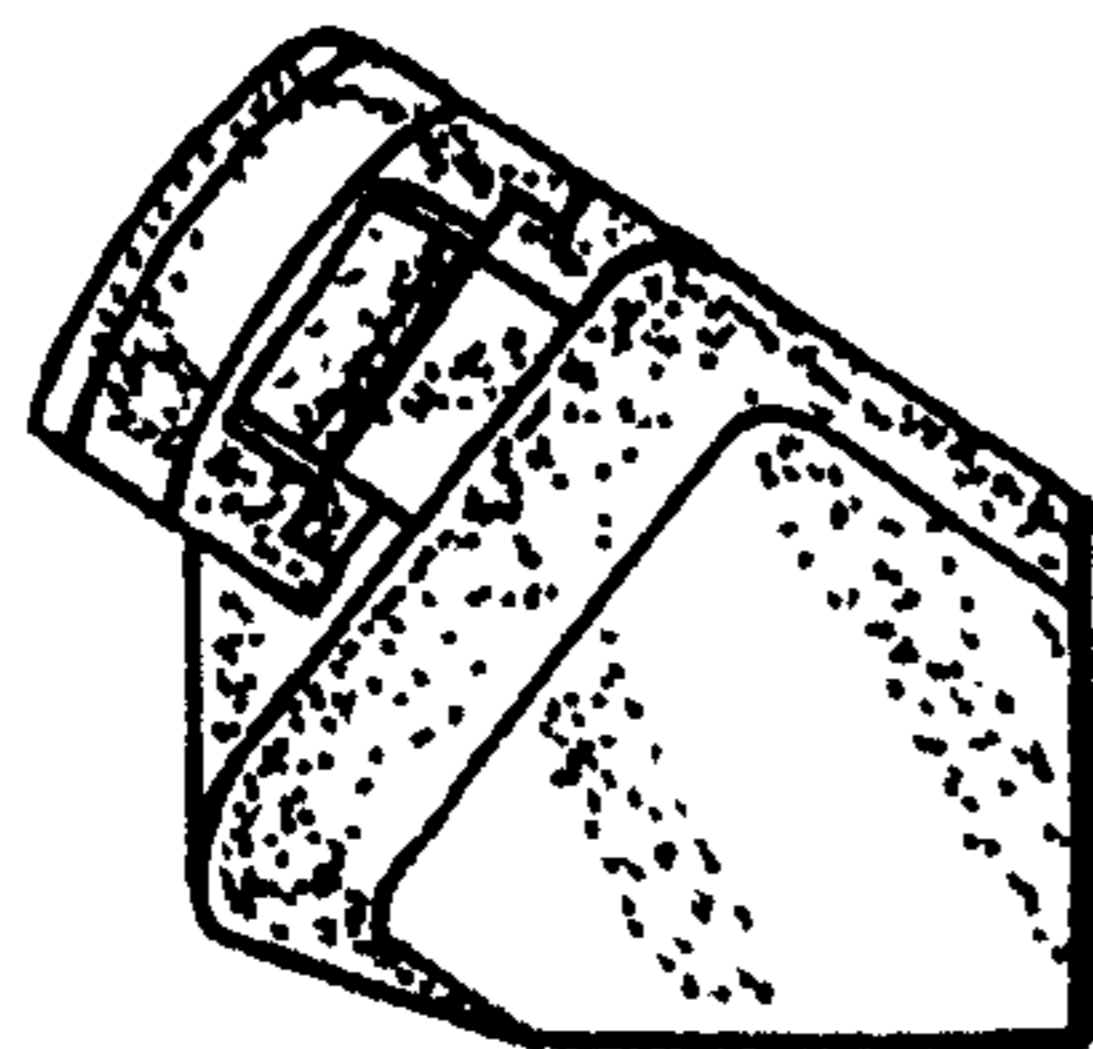


Fig. 6.

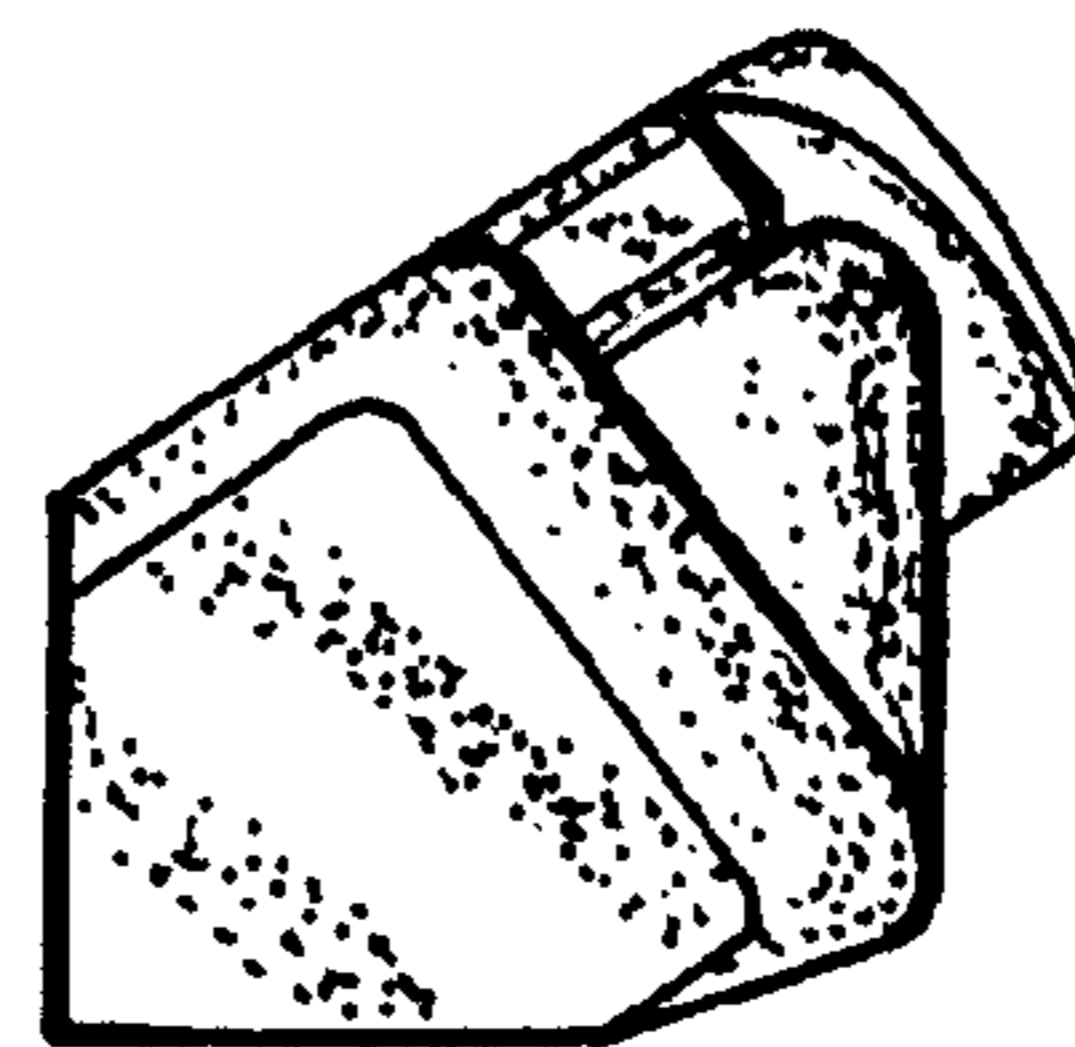


Fig. 7.