



US00D521846S

(12) **United States Design Patent**
Toikka et al.

(10) **Patent No.:** **US D521,846 S**

(45) **Date of Patent:** **** May 30, 2006**

(54) **ENCLOSURE HANDLE**

(75) Inventors: **Johann Anthony Toikka**, Andover, MN (US); **Mohamoud Abdi Jama**, Minneapolis, MN (US); **Shawn John Kipka**, St. Francis, MN (US)

(73) Assignee: **Hoffman Enclosures, Inc.**, Anoka, MN (US)

(**) Term: **14 Years**

(21) Appl. No.: **29/223,723**

(22) Filed: **Feb. 17, 2005**

(51) **LOC (8) Cl.** **08-06**

(52) **U.S. Cl.** **D8/308**

(58) **Field of Classification Search** D8/300-302, D8/307-309, 338, 341, 350, 107, 352; 292/336.3, 292/347, 356, 357; 16/402, 412, 429, 432; 70/452, 210

See application file for complete search history.

(56) **References Cited**

U.S. PATENT DOCUMENTS

4,343,502 A * 8/1982 Nelson 292/356
D269,588 S * 7/1983 Ludwig D8/107

5,390,517 A * 2/1995 Yamada 70/210
5,634,357 A * 6/1997 Nutter et al. 70/210
D385,768 S * 11/1997 Nutter et al. D8/308
6,068,308 A * 5/2000 Molzer 292/336.3
D488,983 S * 4/2004 Linares D8/301
D492,570 S * 7/2004 Linares D8/308
D500,440 S * 1/2005 Linares D8/308

* cited by examiner

Primary Examiner—Paula A. Greene

(74) *Attorney, Agent, or Firm*—Schwegman, Lundberg, Woessner & Kluth, P.A.

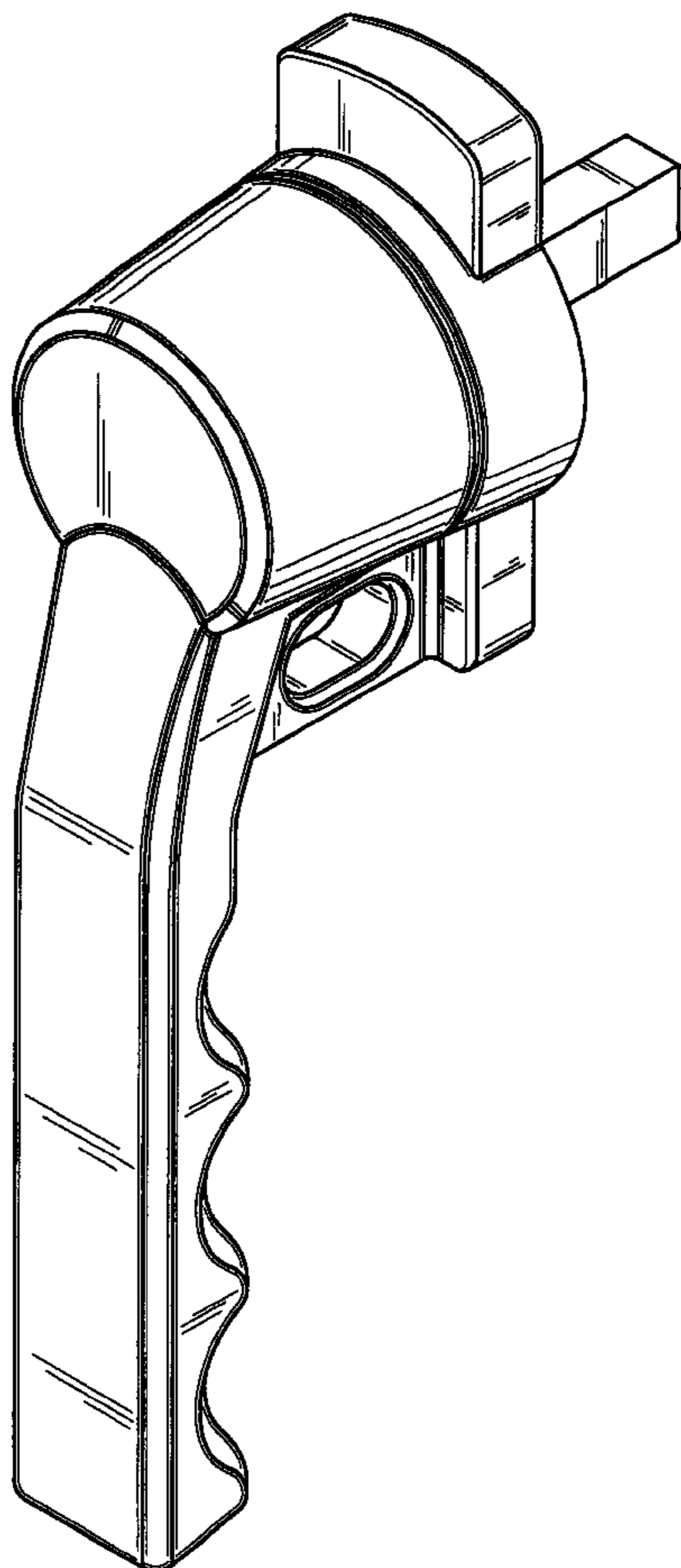
(57) **CLAIM**

The ornamental design for an enclosure handle, as shown and described.

DESCRIPTION

FIG. 1 is a perspective view of an enclosure handle, incorporating the new design;
FIG. 2 is a right side view of the enclosure handle of FIG. 1, the left side view being a mirror image of the right side view;
FIG. 3 is a back view of the enclosure handle of FIG. 1;
FIG. 4 a front view of the enclosure handle of FIG. 1; and,
FIG. 5 is a top view of the enclosure handle of FIG. 1.

1 Claim, 5 Drawing Sheets



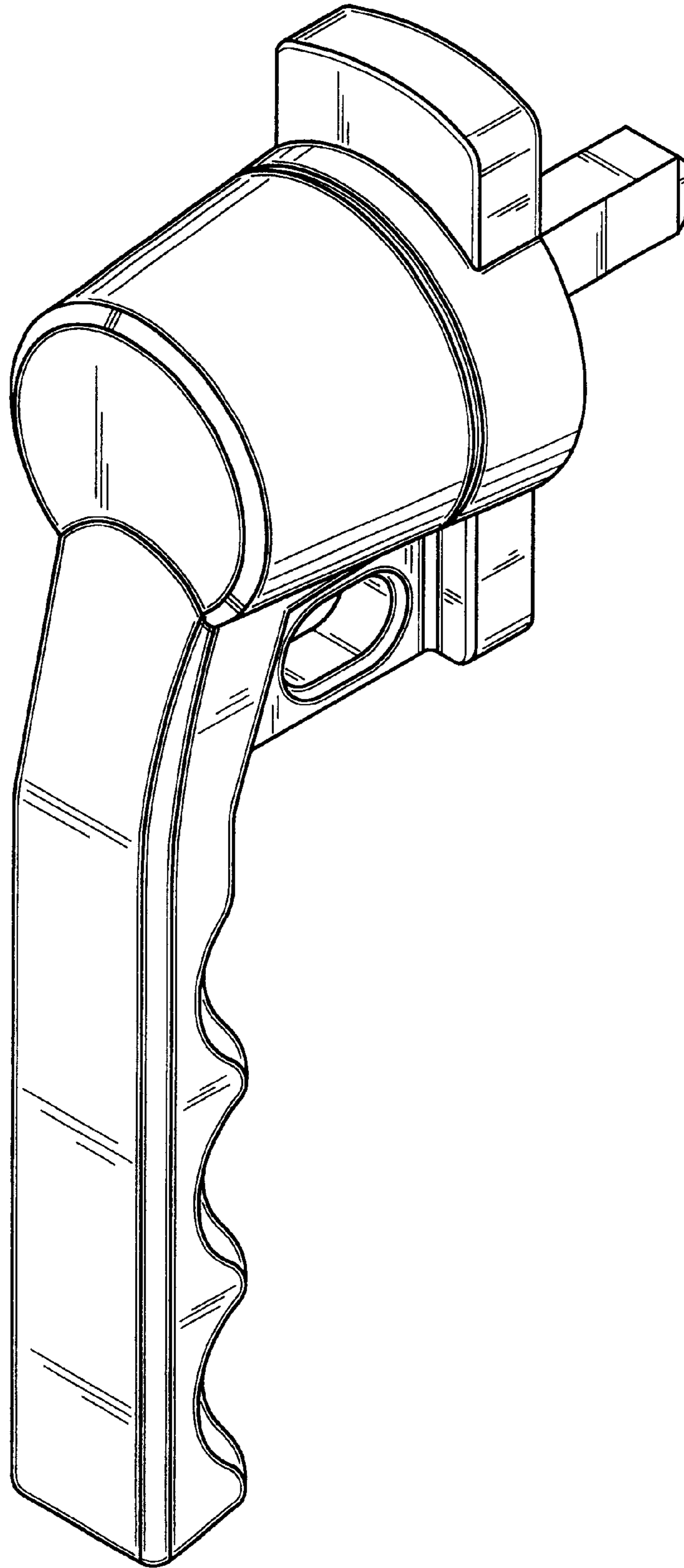


FIG. 1

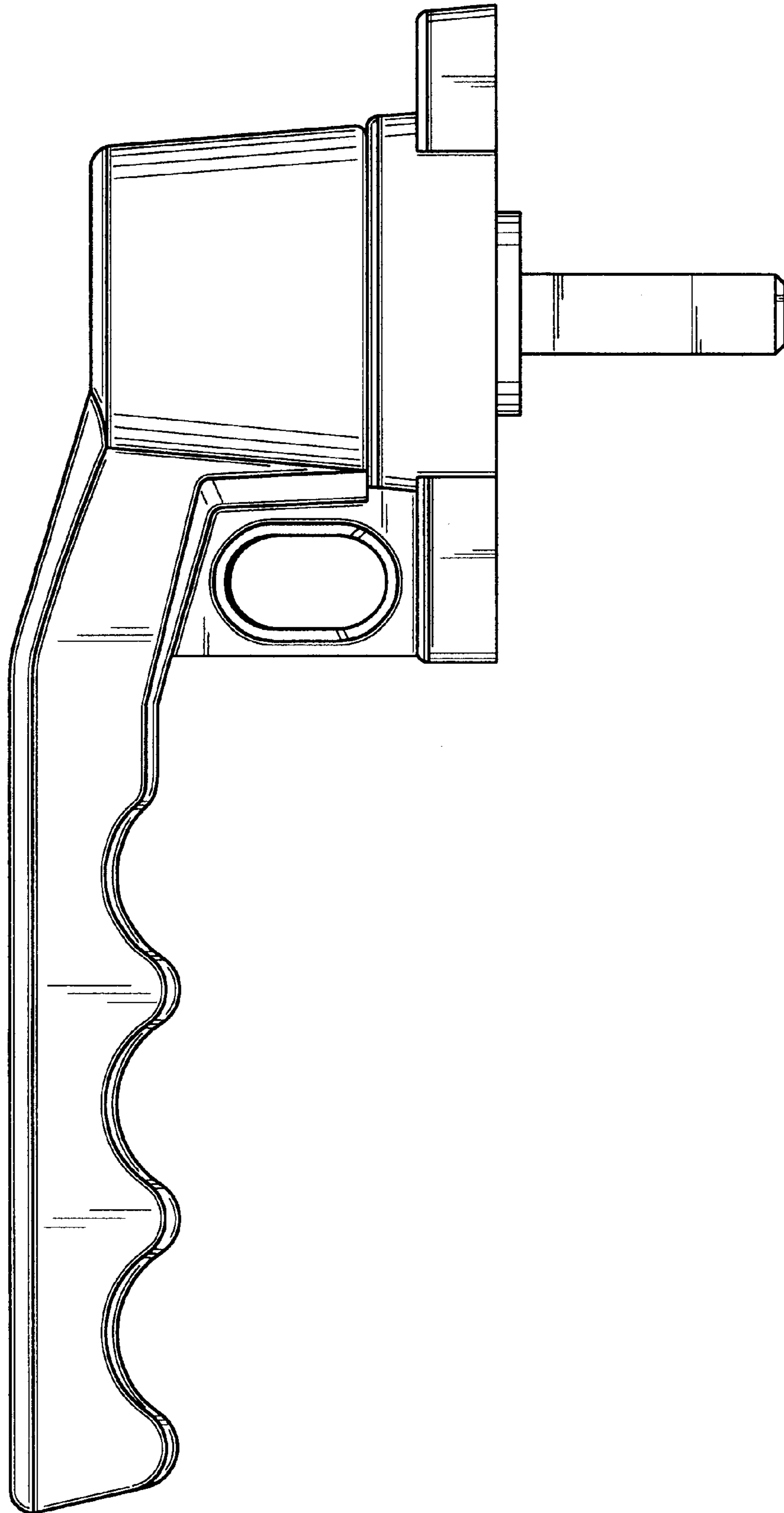


FIG. 2

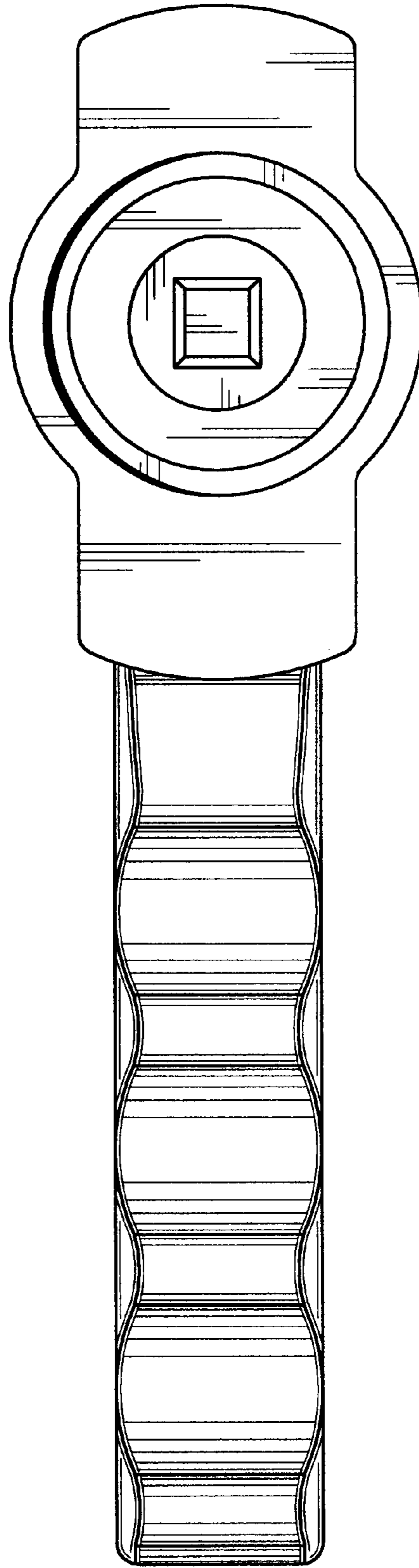


FIG. 3

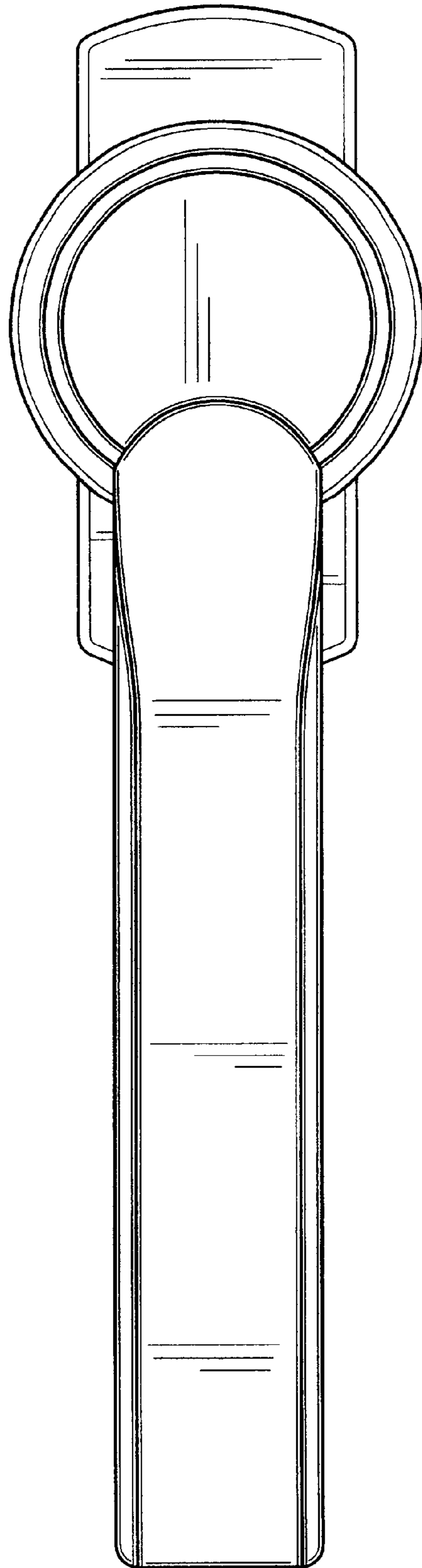


FIG. 4

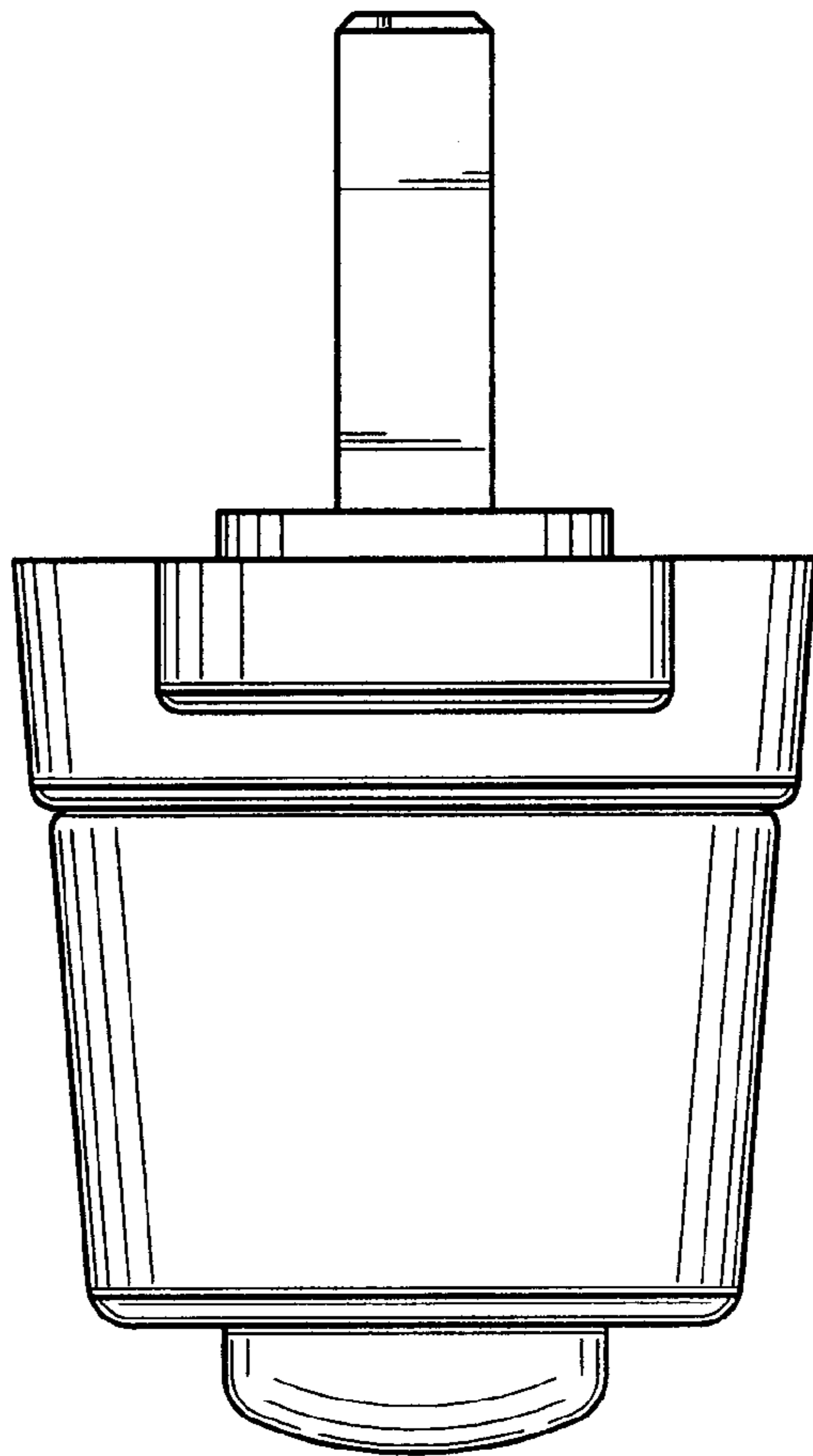


FIG. 5