



US00D521845S

(12) **United States Design Patent**
Stevens et al.

(10) **Patent No.:** **US D521,845 S**

(45) **Date of Patent:** **** May 30, 2006**

(54) **CONTROL KNOB**

D483,439 S * 12/2003 Thomas D23/250

(75) Inventors: **Eric Stevens**, Columbus, OH (US);
Yoshihito Tokuda, Dublin, OH (US);
Michael Peterson, Marysville, OH
(US); **Damien B. Basset**, Los Angeles,
CA (US); **Hideaki Yamazumi**,
Torrance, CA (US); **Matthew**
Alexander, Hilliard, OH (US)

* cited by examiner

Primary Examiner—Paula A. Greene
(74) *Attorney, Agent, or Firm*—Dinsmore & Shohl LLP

(73) Assignee: **Honda Motor Company, Ltd.**, Tokyo
(JP)

(57) **CLAIM**

The ornamental design for a control knob, as shown and described.

(**) Term: **14 Years**

DESCRIPTION

(21) Appl. No.: **29/226,824**

FIG. 1 is a top plan view of a control knob;
FIG. 2 is a bottom plan view of the control knob of FIG. 1;
FIG. 3 is a right side elevational view of the control knob of FIG. 1;
FIG. 4 is a rear elevational view of the control knob of FIG. 1;
FIG. 5 is a front elevational view of the control knob of FIG. 1;
FIG. 6 is a left side elevational view of the control knob of FIG. 1;
FIG. 7 is a top-right rear isometric view of the control knob of FIG. 1;
FIG. 8 is a top-right front isometric view of the control knob of FIG. 1; and,
FIG. 9 is a top-left front isometric view of the control knob of FIG. 1.

(22) Filed: **Apr. 1, 2005**

(51) **LOC (8) Cl.** **08-06**

(52) **U.S. Cl.** **D8/307**

(58) **Field of Classification Search** D8/300,
D8/307, 310, 311, 338, 341; D7/393, 402,
D7/405; D23/250; 292/169, 336.3, 347; 116/309,
116/311, 312, 317-319, 228-229; 74/501.6
See application file for complete search history.

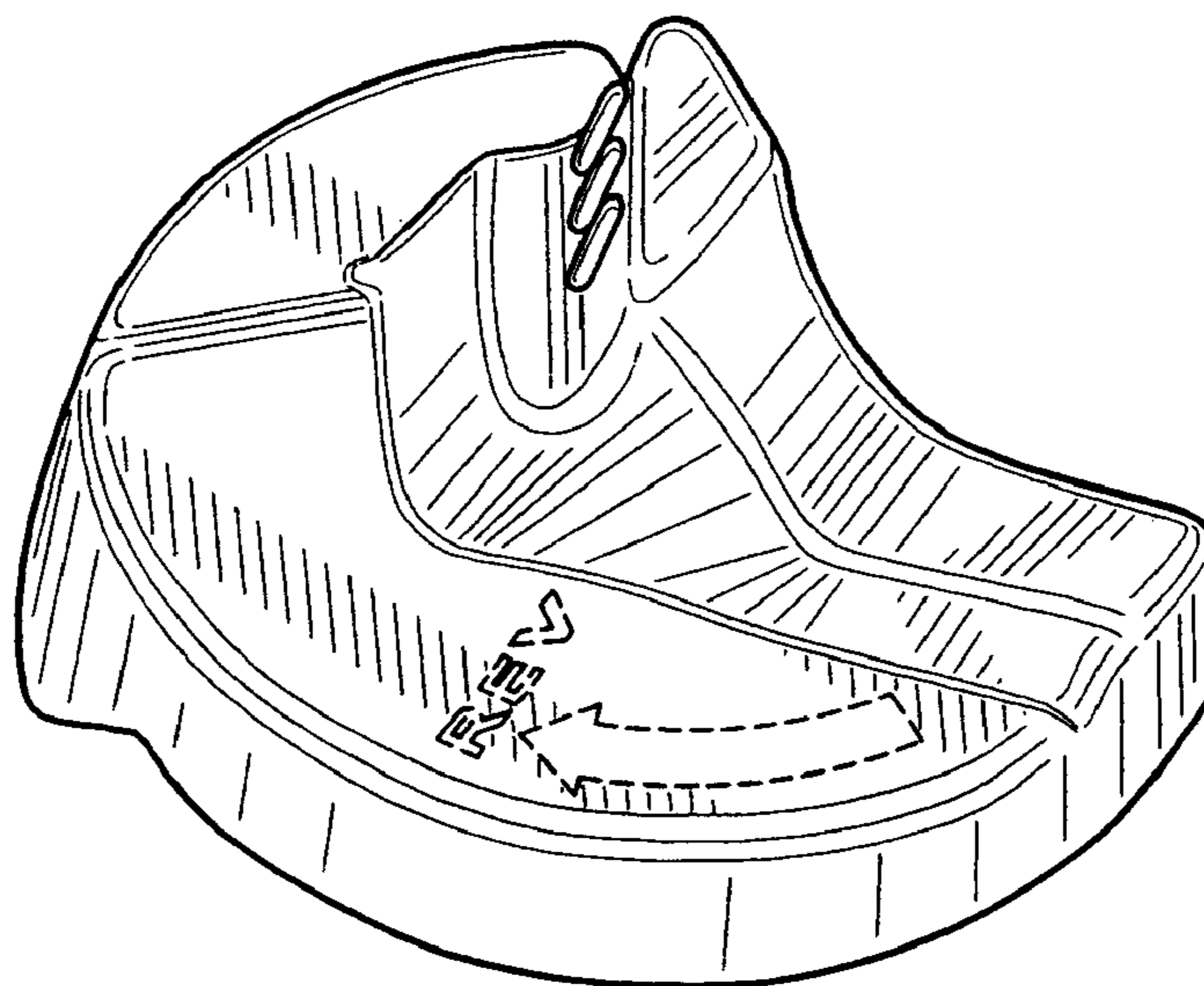
The broken lines and unshaded areas shown in the figures are for illustrative purposes only and form no part of the claimed design.

(56) **References Cited**

U.S. PATENT DOCUMENTS

D187,224 S	*	2/1960	Jakeway	D8/300
4,409,861 A	*	10/1983	Sakurai	74/501.6
D289,544 S	*	4/1987	Doman	D23/250
D378,045 S	*	2/1997	Lewis et al.	D8/307
D400,778 S	*	11/1998	Holbrook, Jr.	D8/311

1 Claim, 5 Drawing Sheets



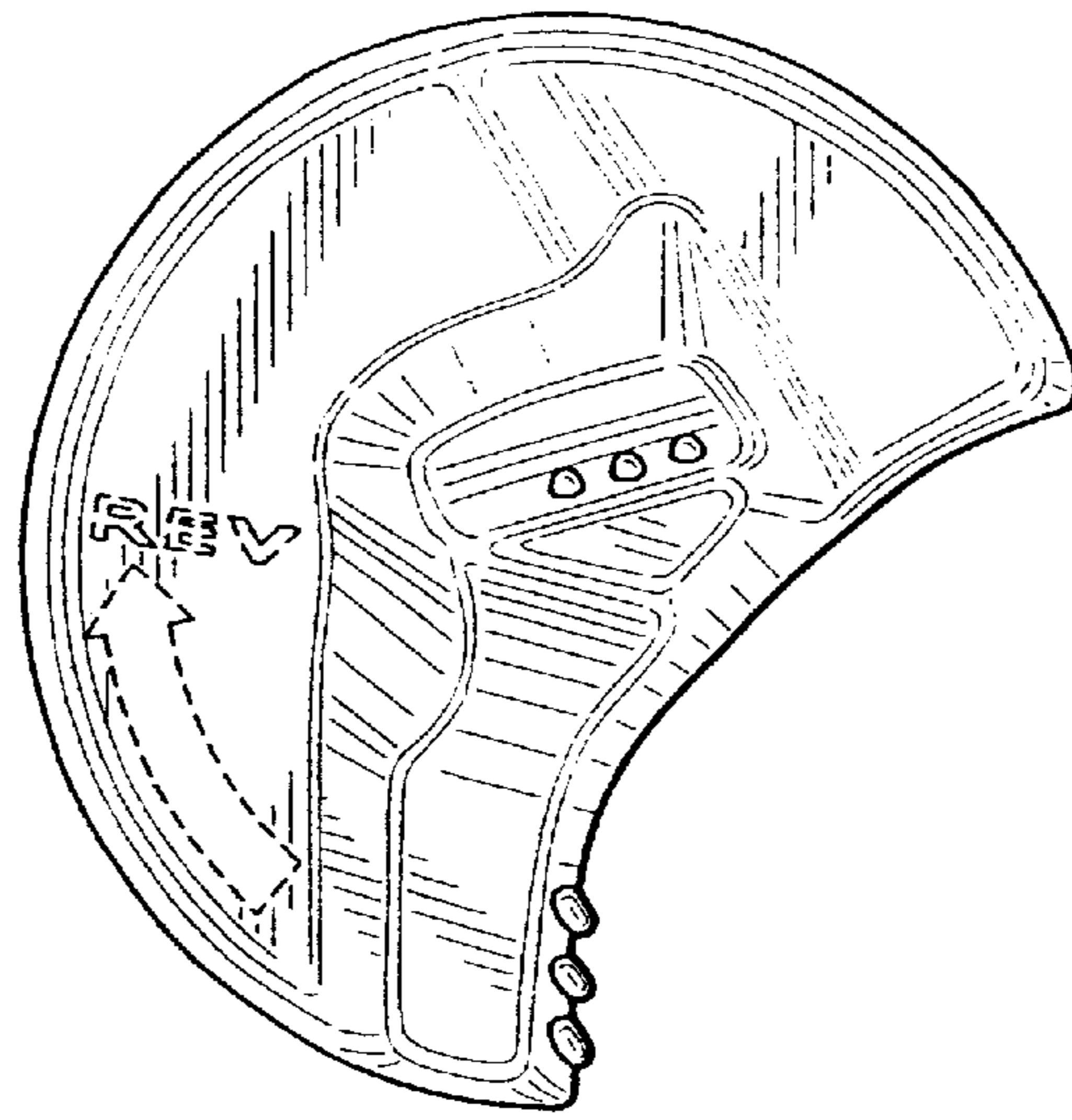


FIG. 1

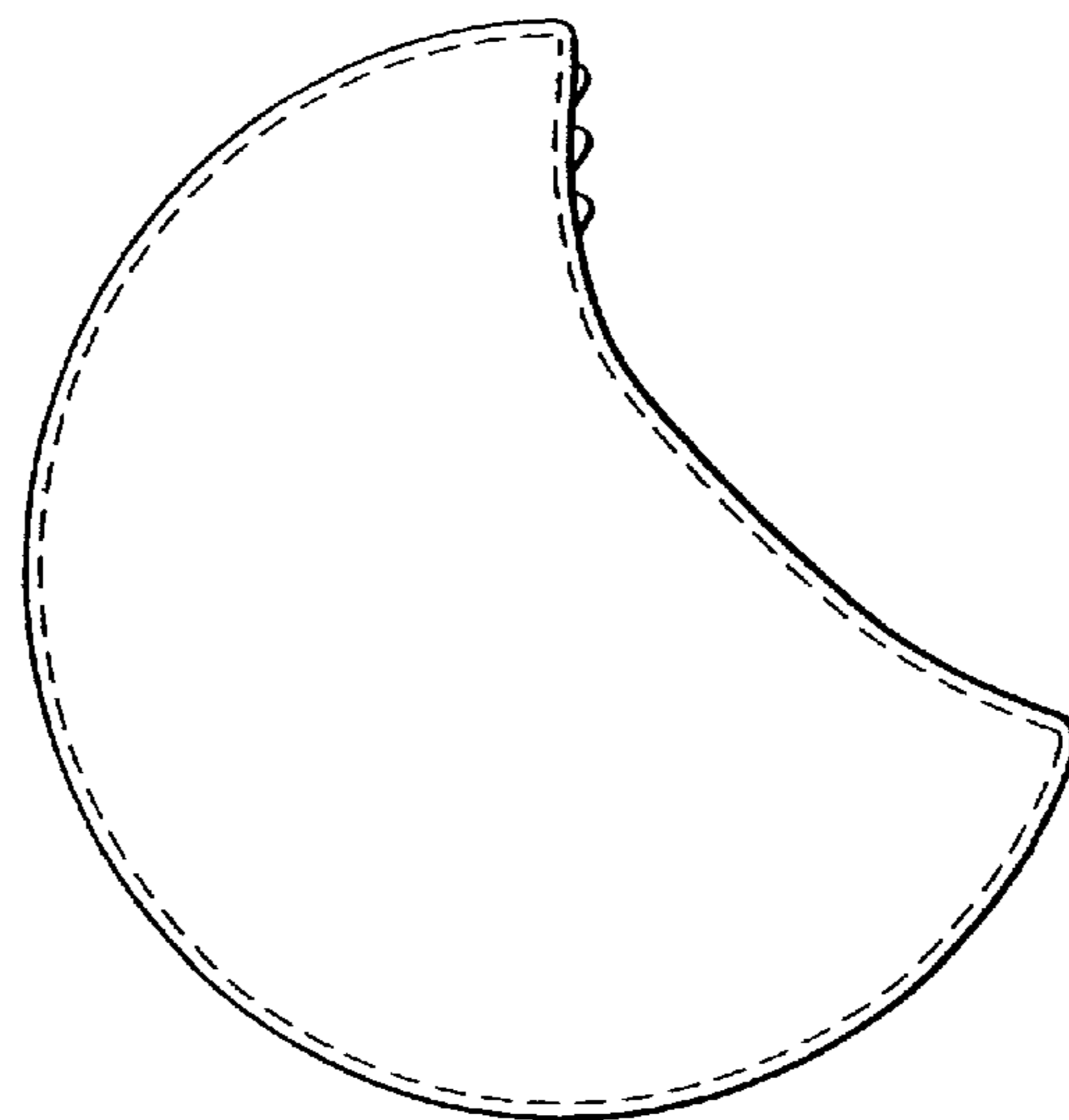


FIG. 2

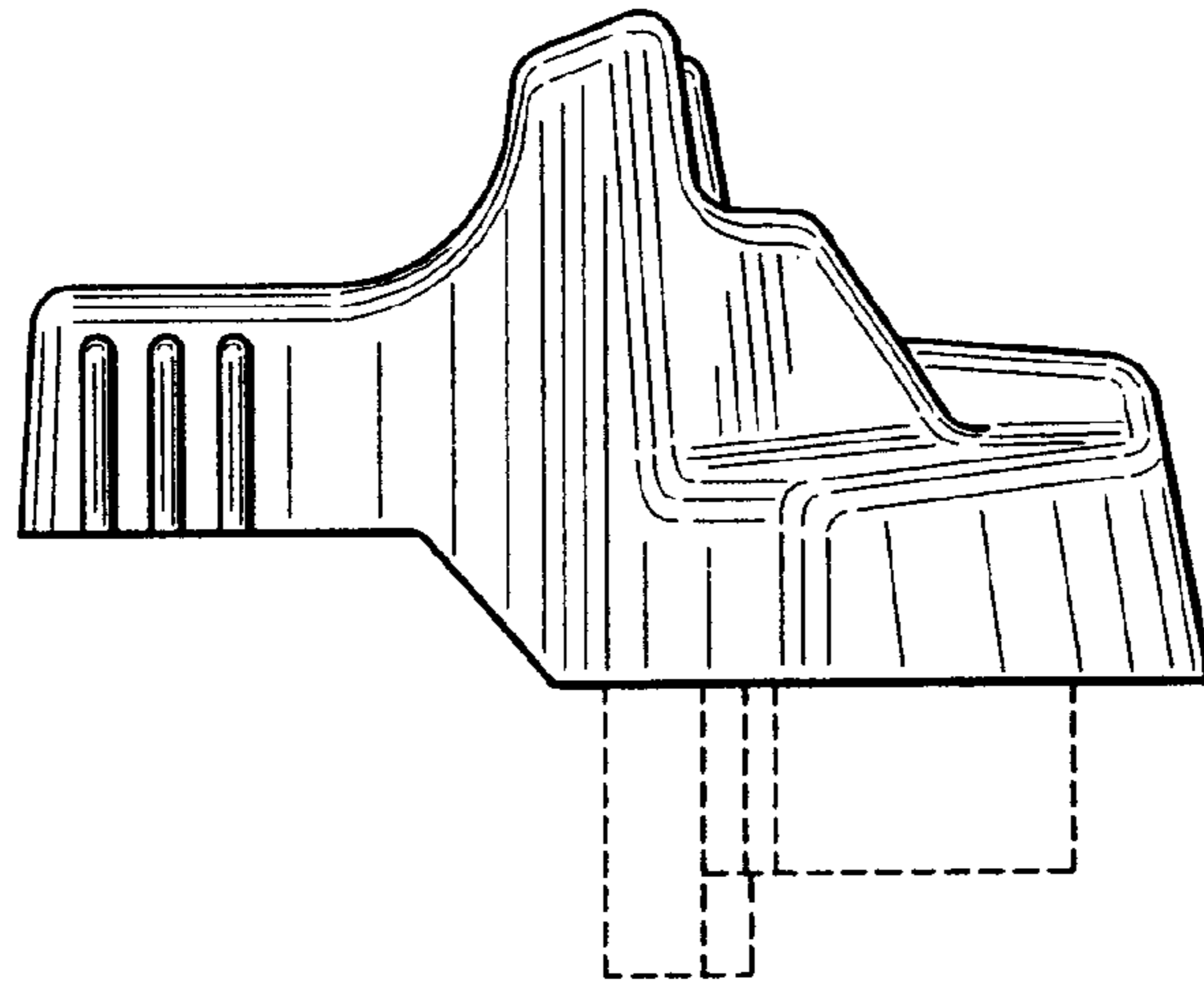


FIG. 3

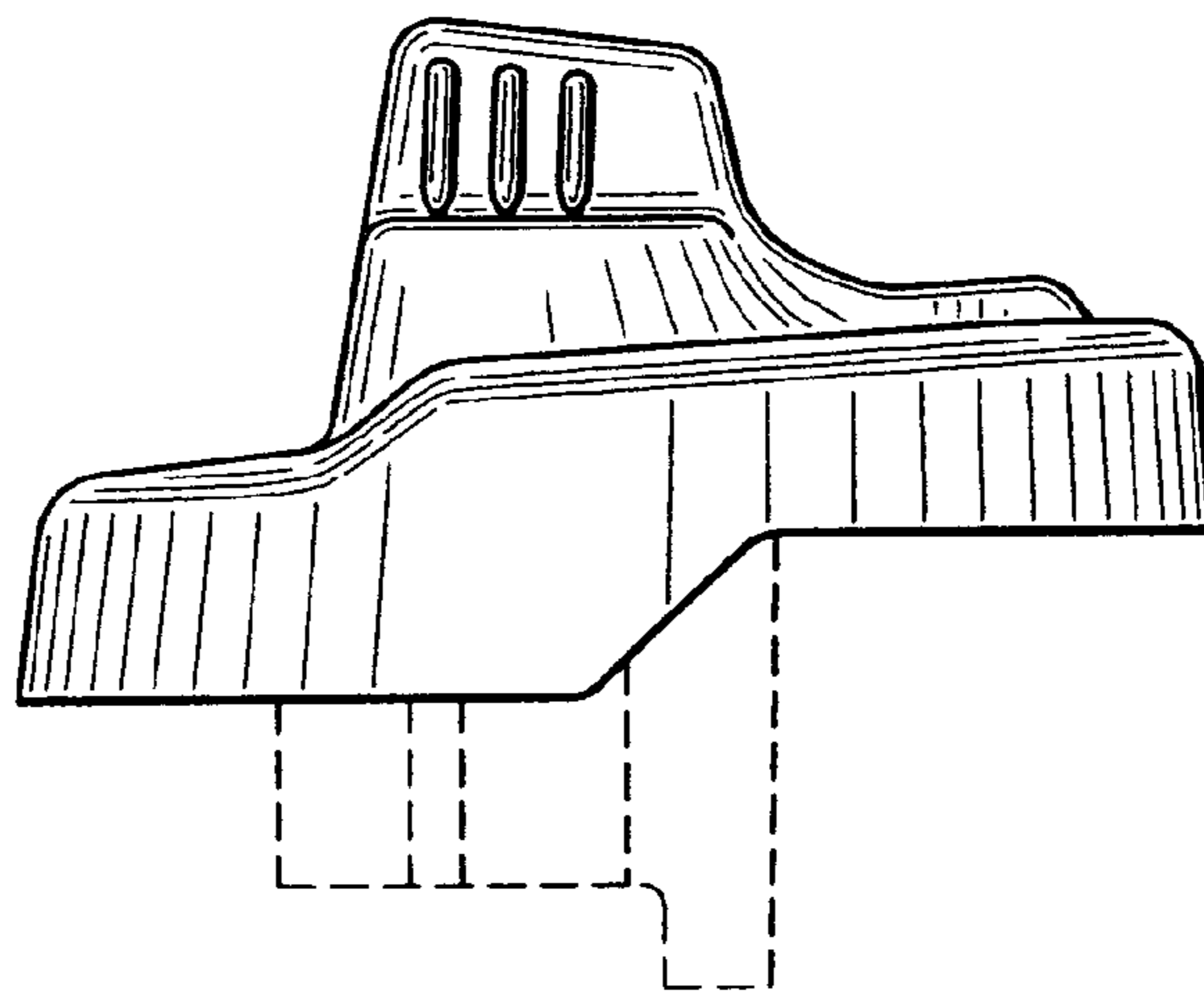


FIG. 4

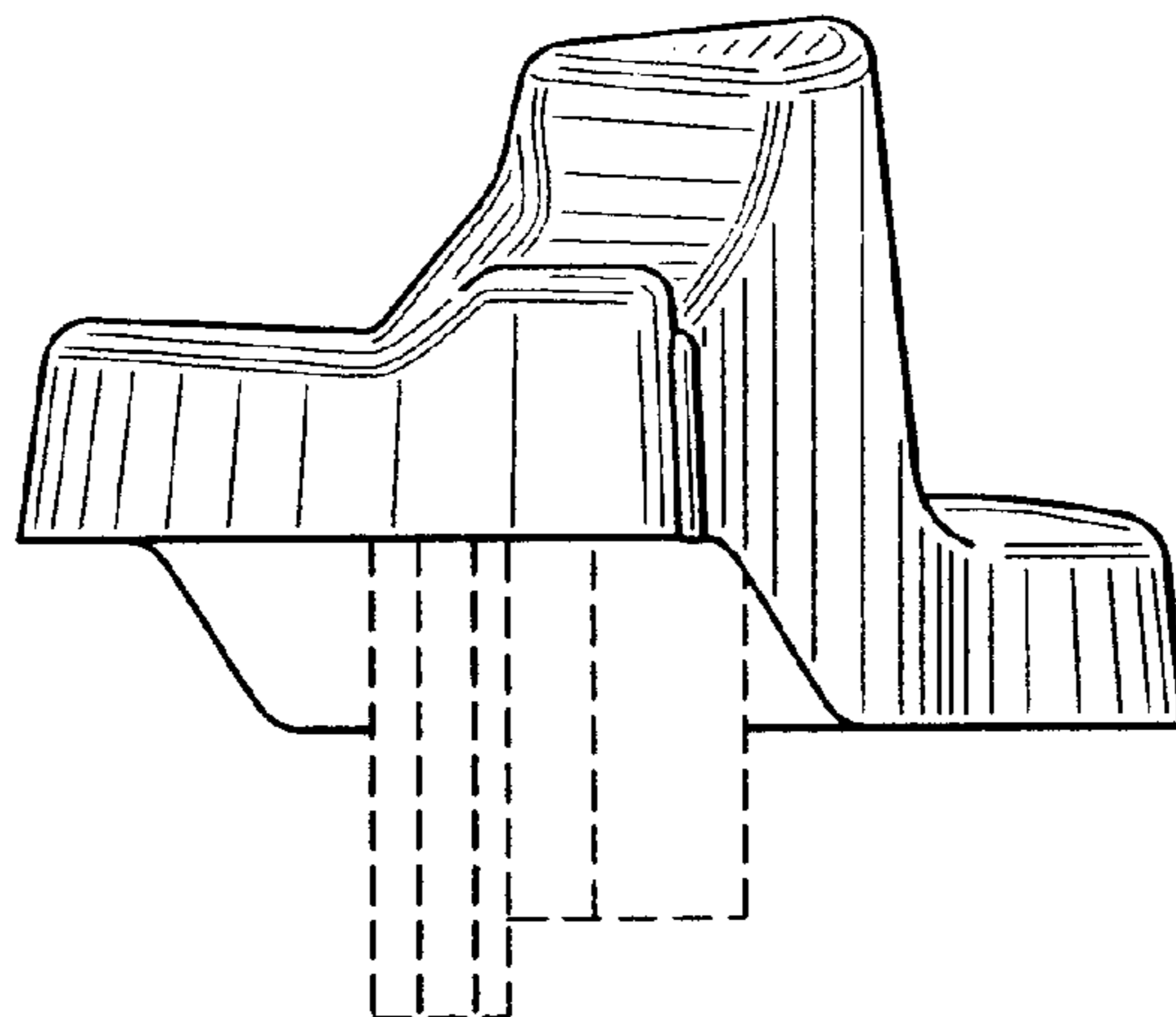


FIG. 5

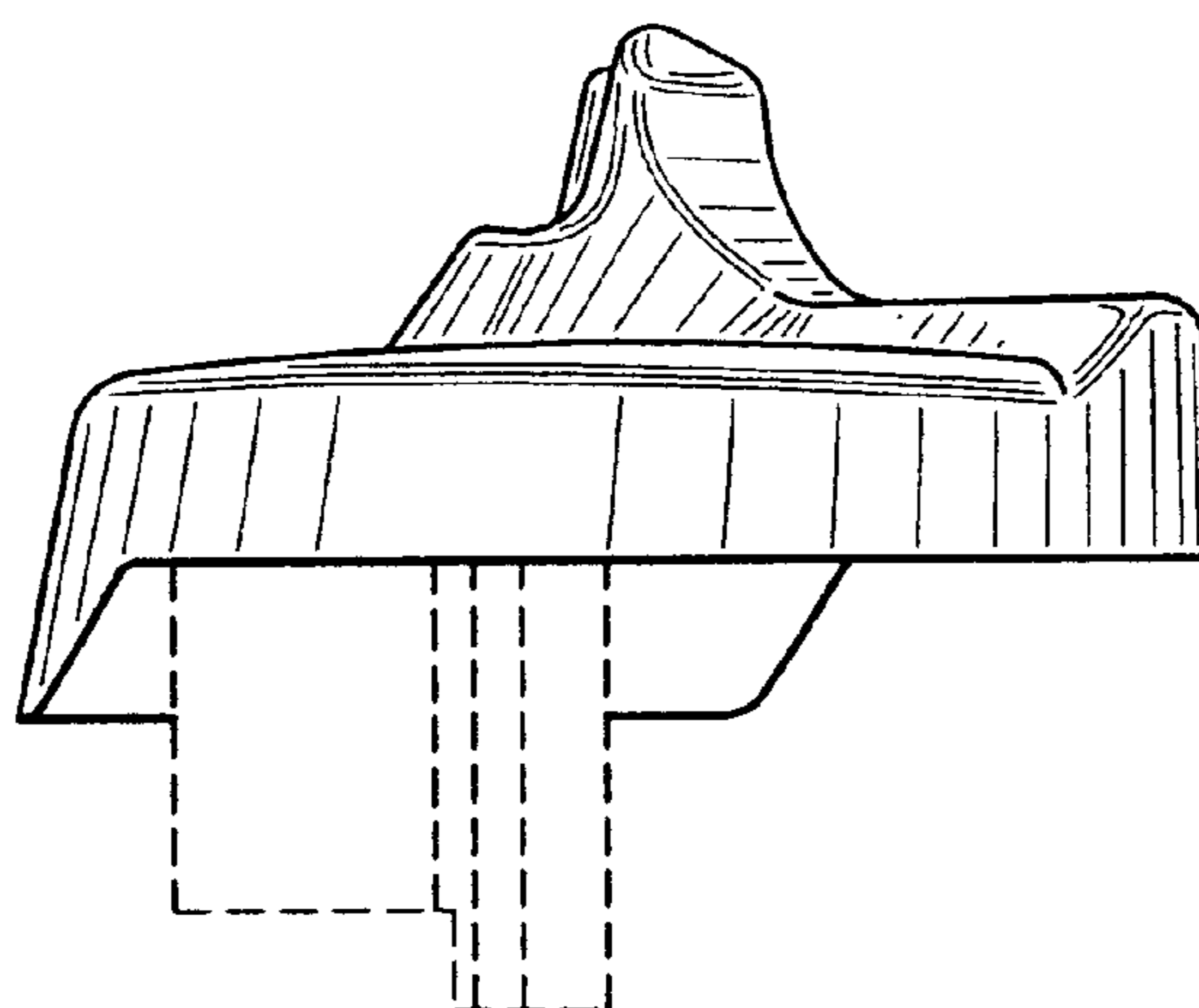


FIG. 6

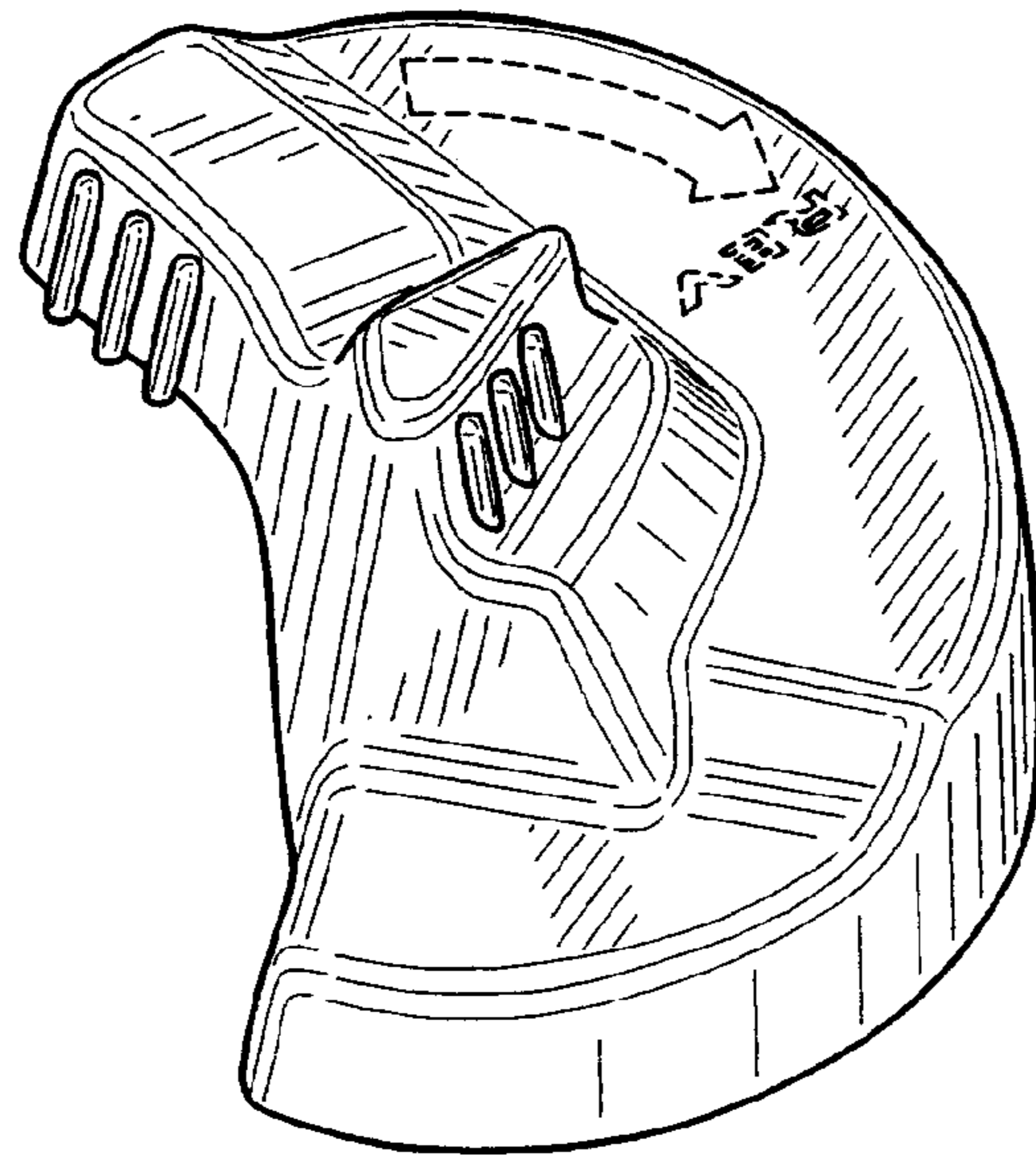


FIG. 7

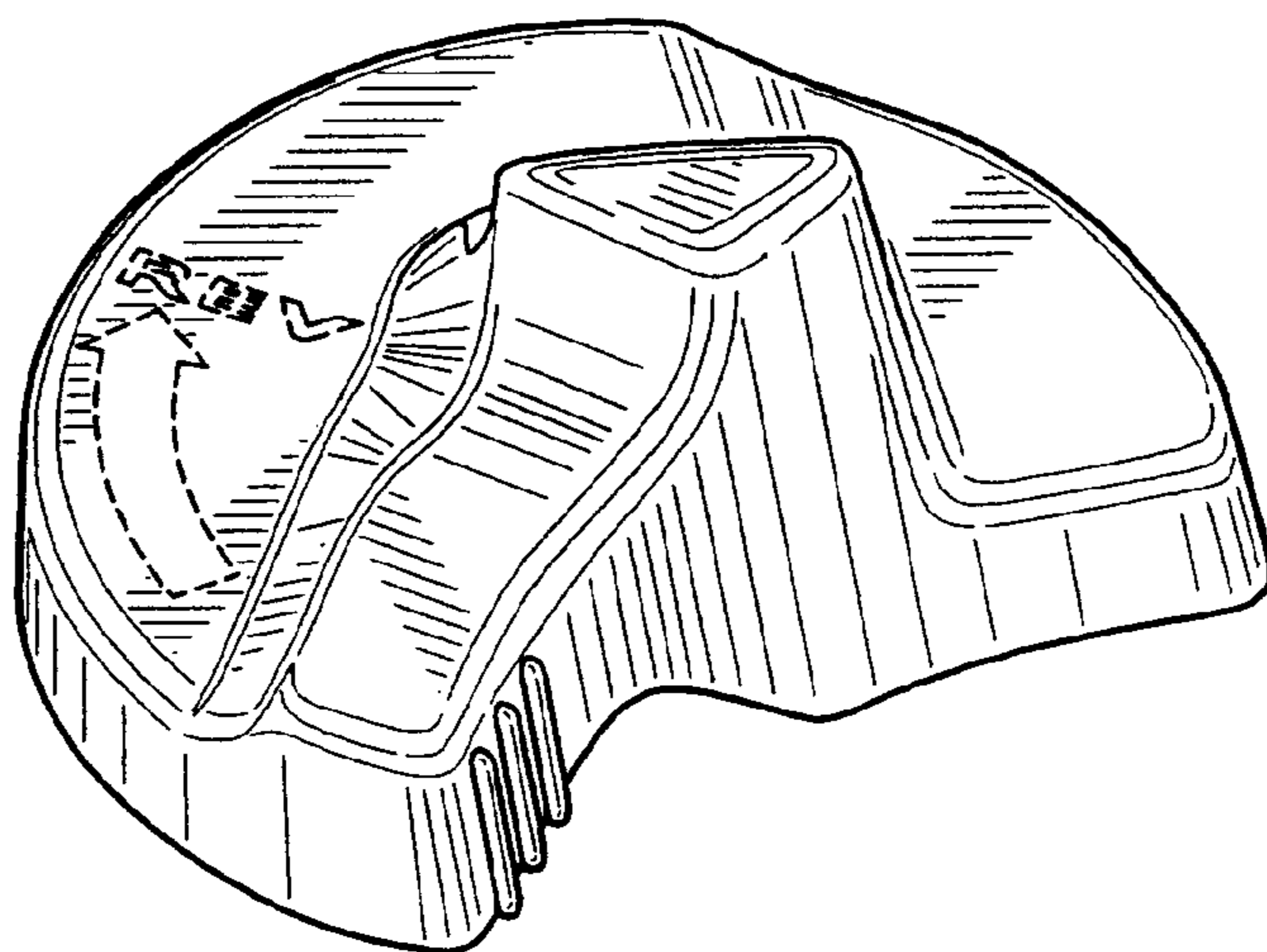


FIG. 8

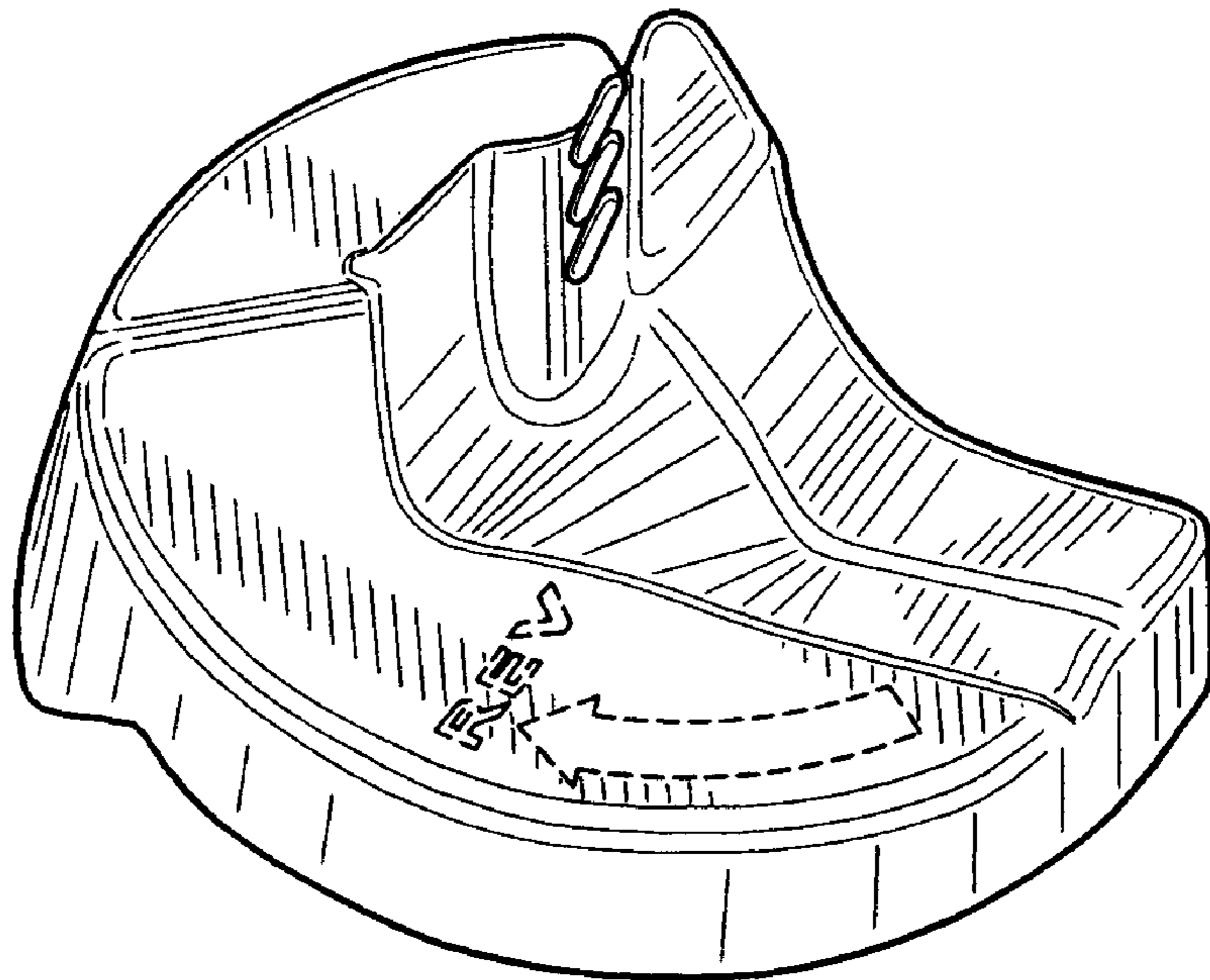


FIG. 9