



US00D521838S

(12) **United States Design Patent**
Waldron

(10) **Patent No.:** **US D521,838 S**

(45) **Date of Patent:** **** May 30, 2006**

(54) **TOOL BIT CHUCK**

(75) Inventor: **Michael Waldron**, Chester le Street
(GB)

(73) Assignee: **GMCA PTY Ltd.** (AU)

(**) Term: **14 Years**

(21) Appl. No.: **29/222,584**

(22) Filed: **Feb. 1, 2005**

(30) **Foreign Application Priority Data**

Dec. 7, 2004 (EM) 000267117

(51) **LOC (8) Cl.** **08-05**

(52) **U.S. Cl.** **D8/70**

(58) **Field of Classification Search** D8/61,
D8/62, 63, 64, 65, 66, 67, 68, 69, 70; D15/138,
D15/139, 140; 279/60, 61, 62, 63, 64, 65,
279/66, 157, 901, 902; 408/56, 240

See application file for complete search history.

(56) **References Cited**

U.S. PATENT DOCUMENTS

- D404,630 S * 1/1999 Cooper D8/70
- D409,210 S * 5/1999 Cooper D8/70
- D421,615 S * 3/2000 Argo et al. D15/140
- D423,527 S * 4/2000 Sakamaki D8/70
- D433,909 S * 11/2000 Long D8/70

- D434,629 S * 12/2000 Long D8/70
- D461,697 S * 8/2002 Chunn et al. D8/70
- D462,248 S * 9/2002 Cooper D8/68
- D472,781 S * 4/2003 Netzler D8/68
- D474,387 S * 5/2003 Chunn et al. D8/70
- D491,437 S * 6/2004 Bian D8/68
- 2004/0041357 A1 * 3/2004 Zhou 279/62

* cited by examiner

Primary Examiner—Janice E. Seeger

Assistant Examiner—T. Chase Nelson

(74) *Attorney, Agent, or Firm*—McKee, Voorhees & Sease,
P.L.C.

(57) **CLAIM**

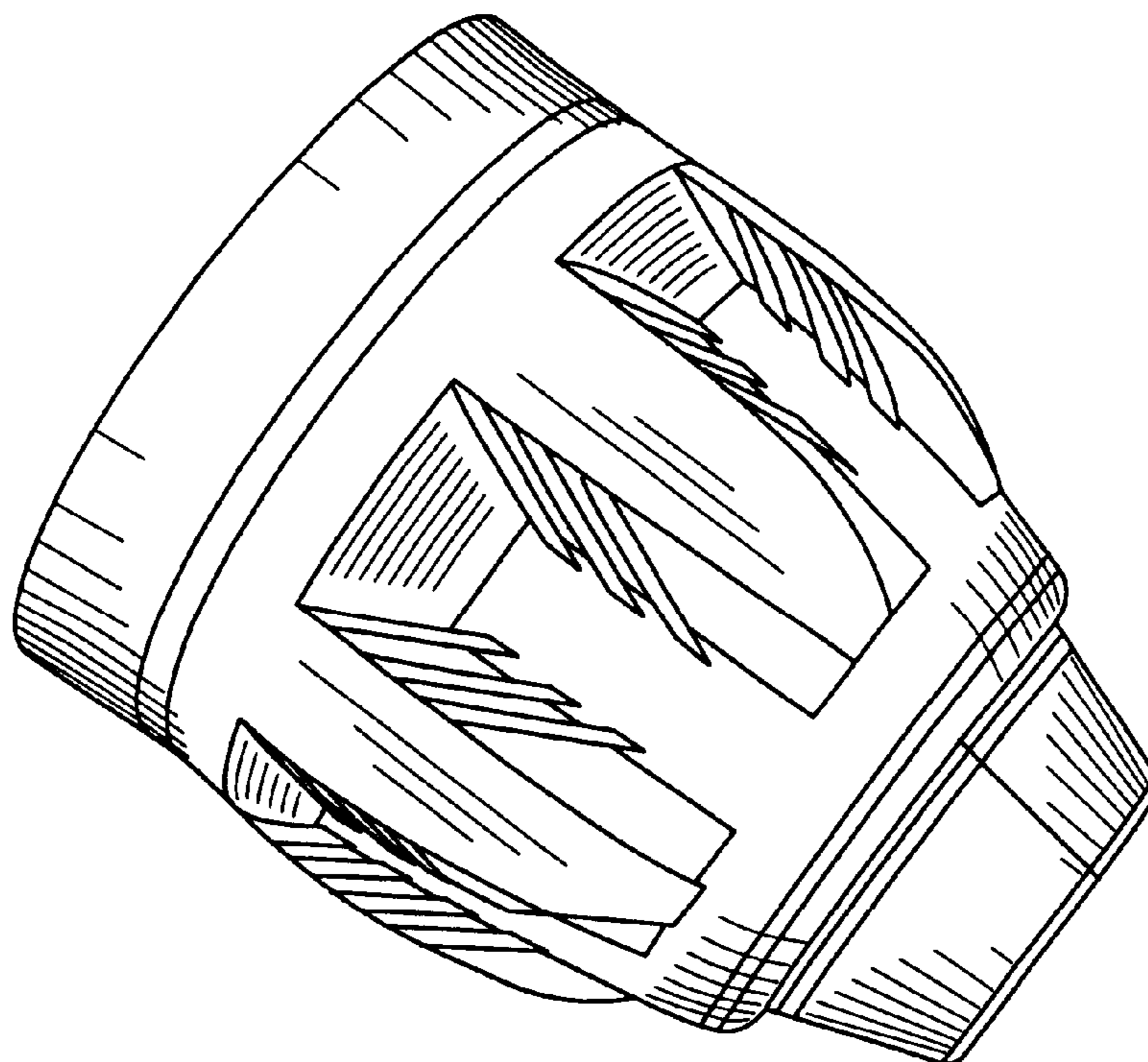
I claim the ornamental design for a tool bit chuck, substantially as shown.

DESCRIPTION

- FIG. 1 is a perspective view of the tool bit chuck.
- FIG. 2 is an opposite perspective view of the tool bit chuck.
- FIG. 3 is a side view of the tool bit chuck.
- FIG. 4 is an opposite side view of the tool bit chuck.
- FIG. 5 is a top view of the tool bit chuck.
- FIG. 6 is a front view of the tool bit chuck; and,
- FIG. 7 is a rear view of the tool bit chuck.

The broken lines shown upon the body of the tool bit chuck are for illustrative purposes only and form no part of the claimed design.

1 Claim, 2 Drawing Sheets



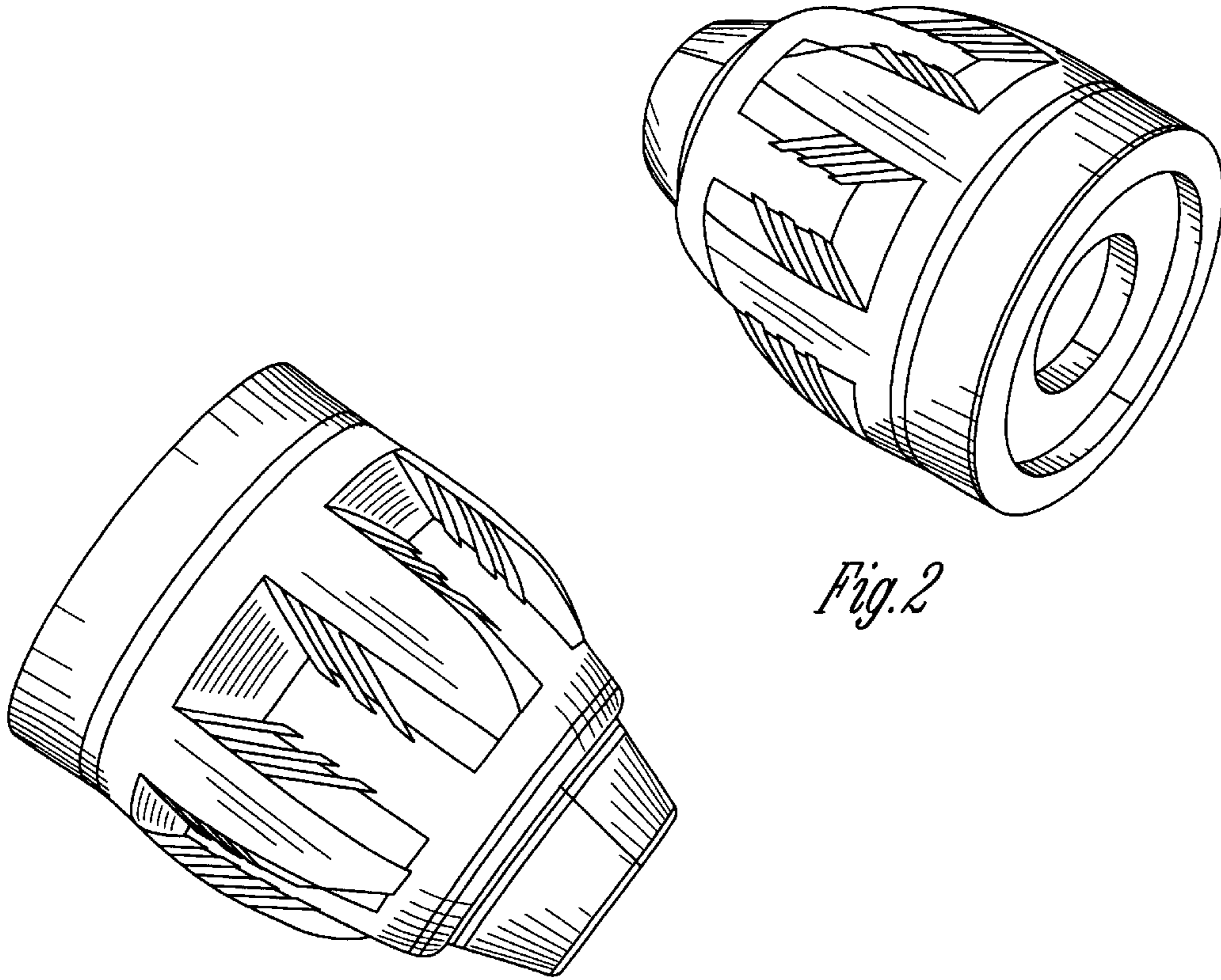


Fig. 1

Fig. 2

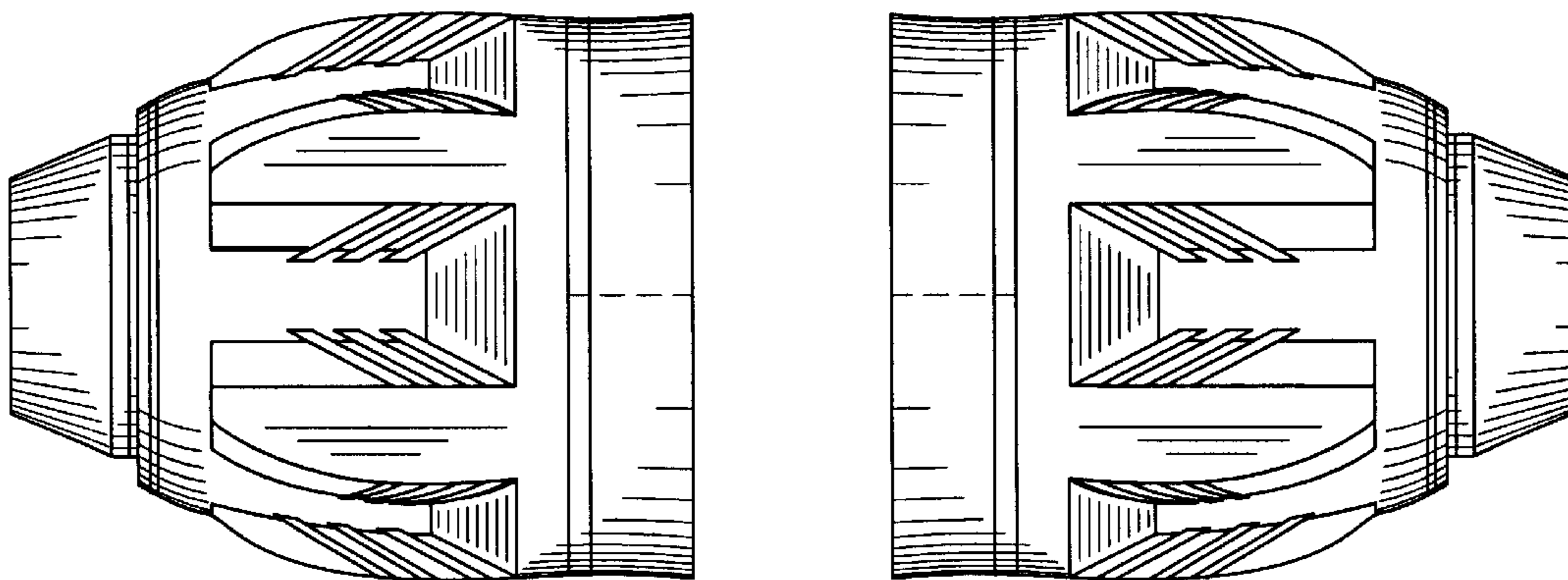


Fig. 3

Fig. 4

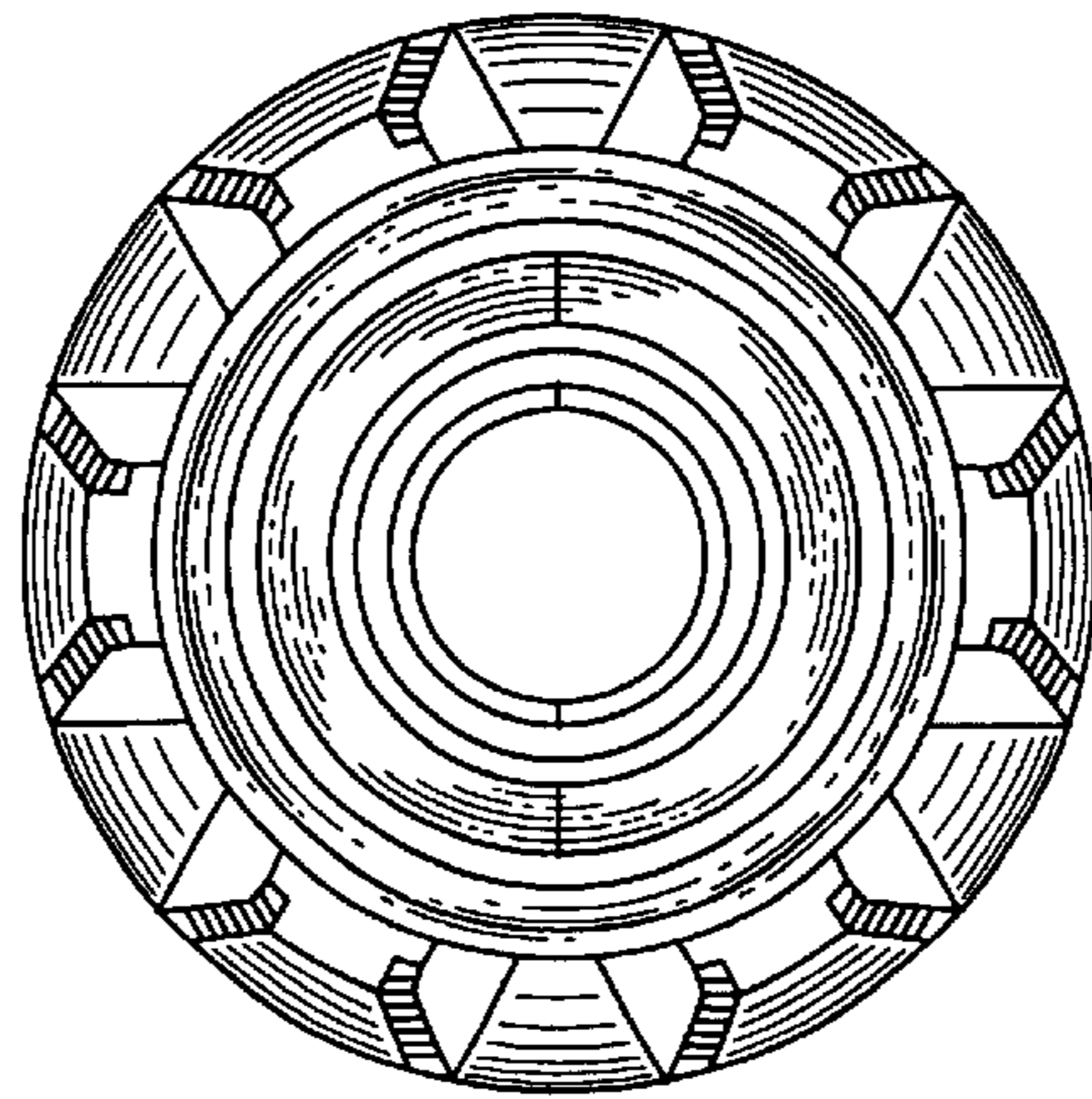


Fig. 5

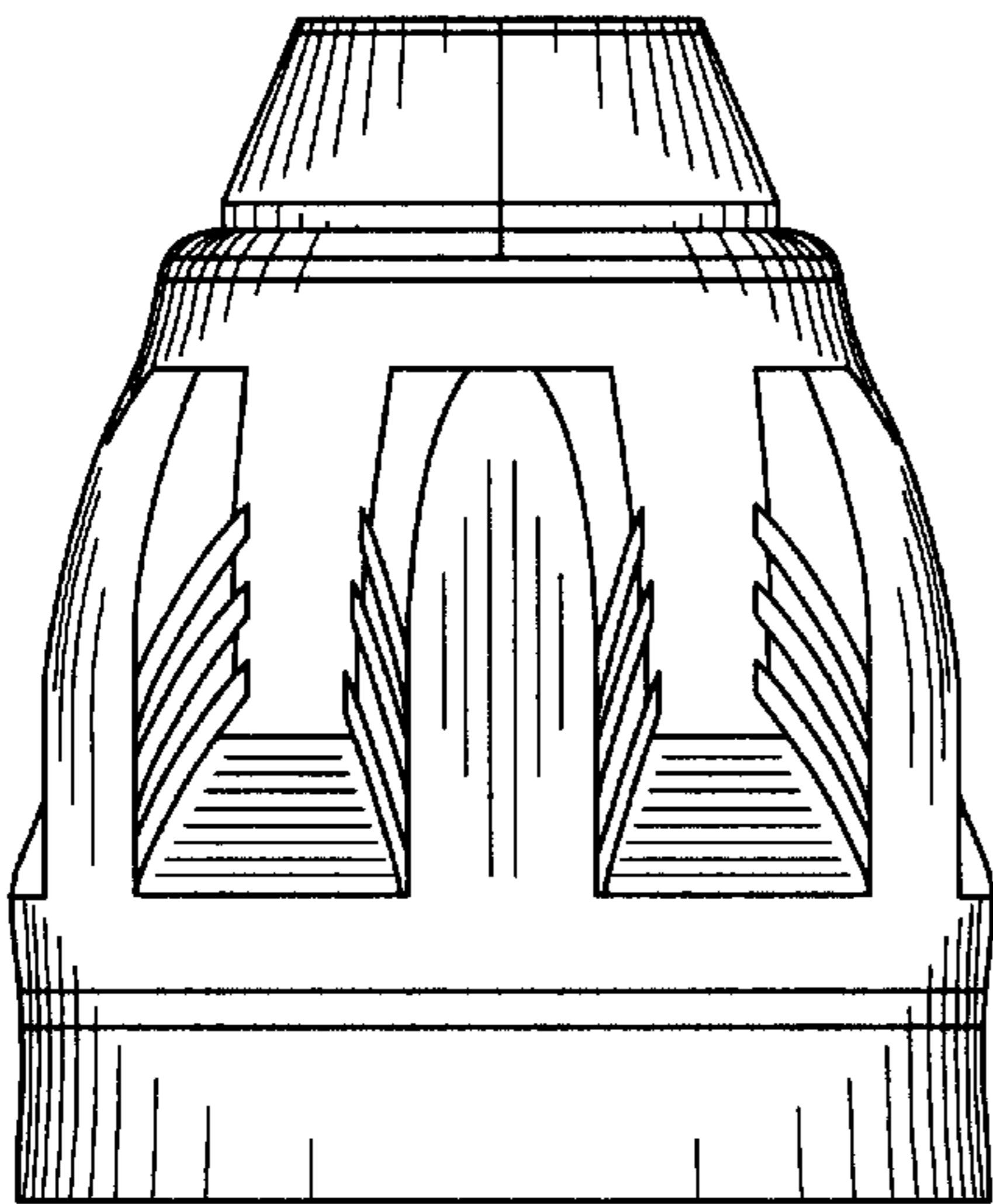


Fig. 6

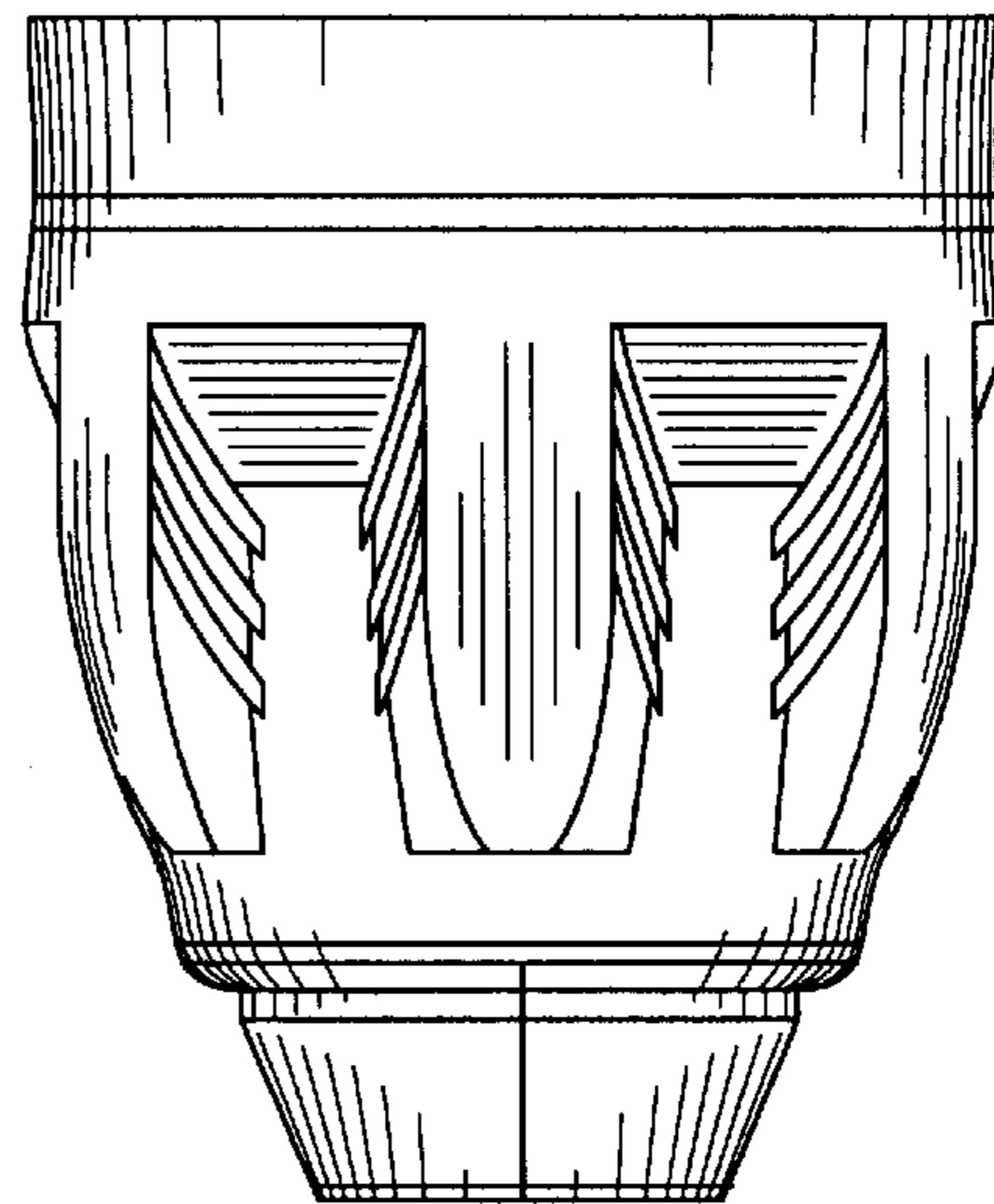


Fig. 7