



US00D521836S

(12) **United States Design Patent**  
**Hastie**

(10) **Patent No.:** **US D521,836 S**

(45) **Date of Patent:** **\*\* May 30, 2006**

(54) **TILE SAW**

(75) Inventor: **James Hastie**, Pocklington (GB)

(73) Assignee: **GMCA PTY Ltd.** (AU)

(\*\*) Term: **14 Years**

(21) Appl. No.: **29/236,424**

(22) Filed: **Aug. 16, 2005**

(51) **LOC (8) Cl.** ..... **08-03**

(52) **U.S. Cl.** ..... **D8/66**

(58) **Field of Classification Search** ..... D8/69,  
D8/68, 67, 66, 64, 61, 70; 83/698.41, 747;  
30/166.3, 374, 373, 375, 376, 391, 377, 390,  
30/388, 389; 125/13.01, 14; 144/218; 451/213  
See application file for complete search history.

(56) **References Cited**

**U.S. PATENT DOCUMENTS**

4,809,438	A	*	3/1989	Nagashima et al.	.....	30/390
4,870,758	A	*	10/1989	Fushiya	.....	30/388
4,876,797	A	*	10/1989	Zapata	.....	30/388
D315,854	S	*	4/1991	Kawakami et al.	.....	D8/66
5,850,697	A	*	12/1998	Welch	.....	30/391
5,930,903	A	*	8/1999	Hurn et al.	.....	30/391

6,016,732	A	*	1/2000	Brault et al.	.....	83/471.3
D460,672	S	*	7/2002	Pretzell	.....	D8/66
6,484,410	B1	*	11/2002	Meastas	.....	30/373
6,546,631	B1	*	4/2003	Iida et al.	.....	30/124
D475,265	S	*	6/2003	Hatch et al.	.....	D8/66
6,591,826	B1	*	7/2003	Donnerdal	.....	125/13.01
D504,297	S	*	4/2005	Tillman et al.	.....	D8/66

\* cited by examiner

*Primary Examiner*—Cathron C. Brooks

*Assistant Examiner*—Austin Murphy

(74) *Attorney, Agent, or Firm*—McKee, Voorhees & Sease, P.L.C.

(57) **CLAIM**

I claim the ornamental design for a tile saw, substantially as shown.

**DESCRIPTION**

FIG. 1 is a perspective view of the tile saw.

FIG. 2 is a side view of the tile saw.

FIG. 3 is an opposite side view of the tile saw.

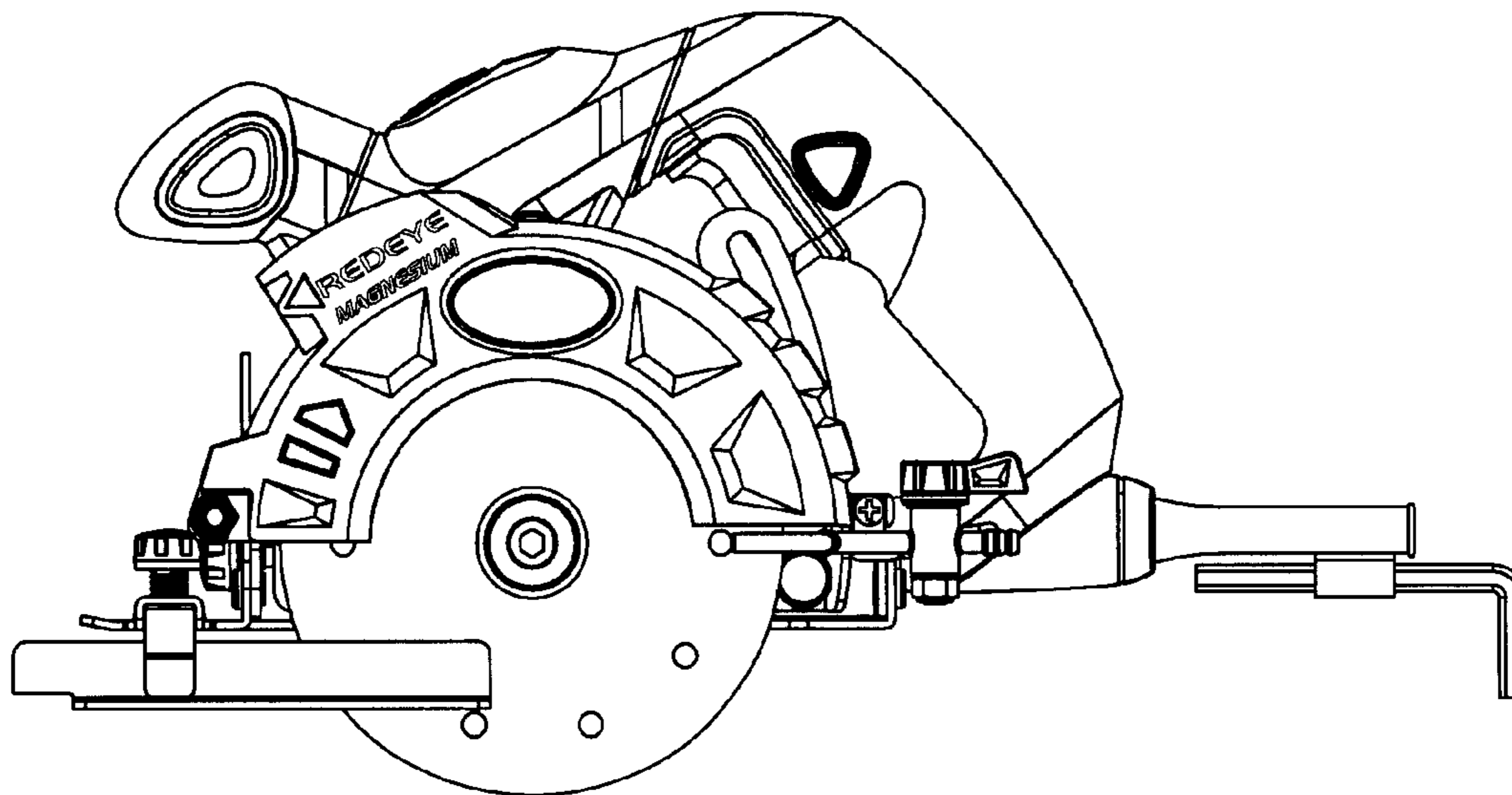
FIG. 4 is a top view of the tile saw.

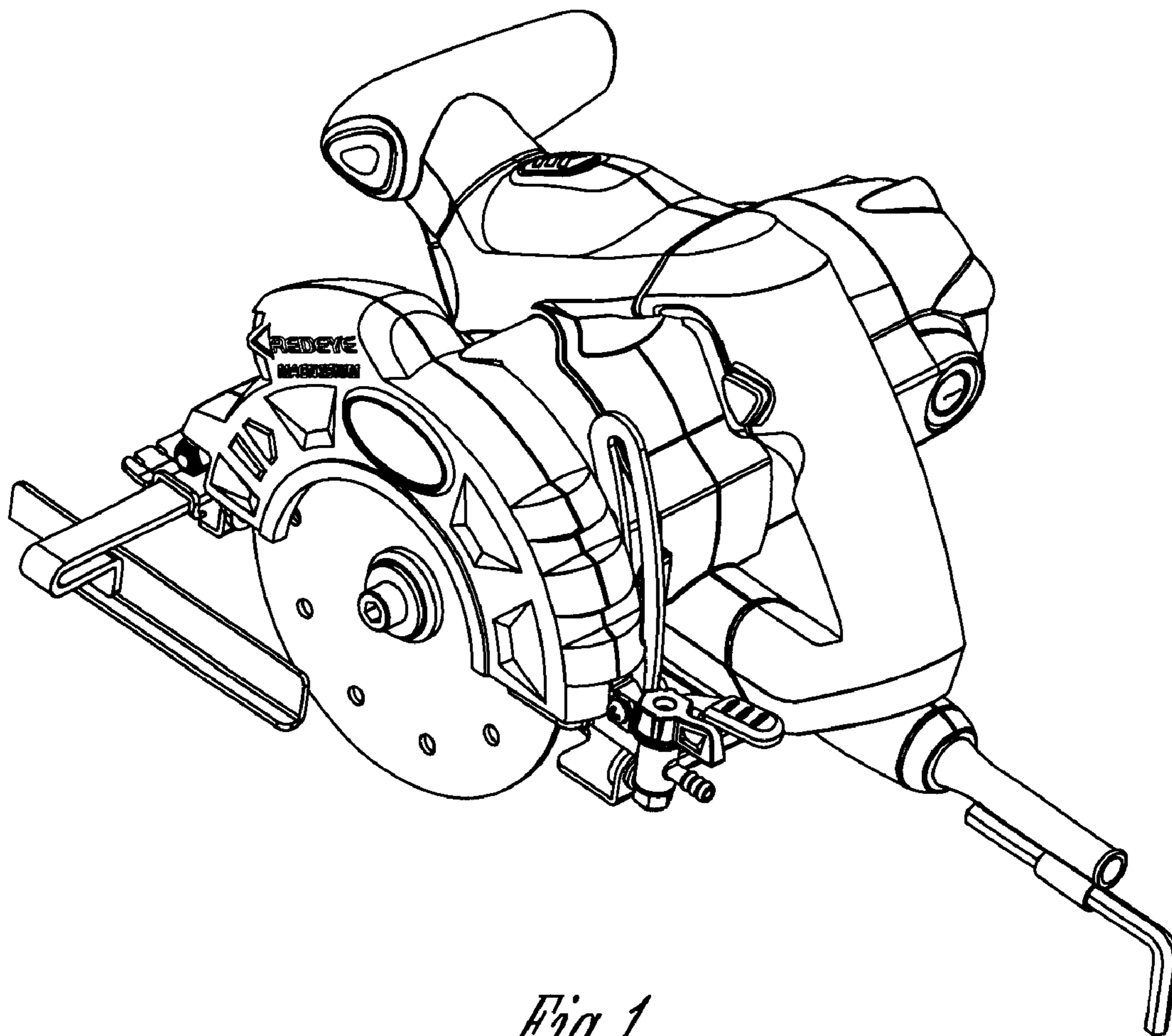
FIG. 5 is a bottom view of the tile saw.

FIG. 6 is a rear view of the tile saw; and,

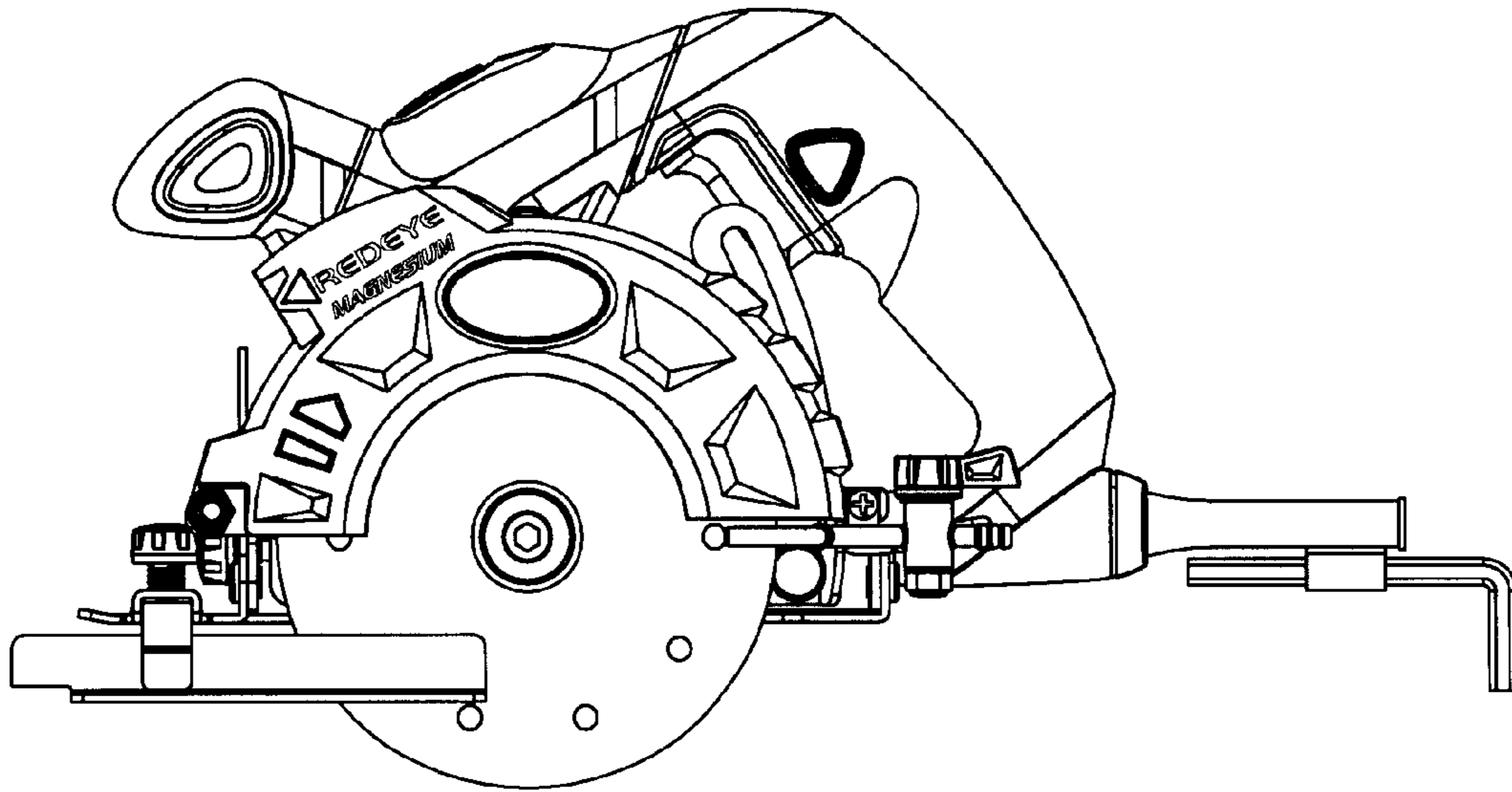
FIG. 7 is a front view of the tile saw.

**1 Claim, 4 Drawing Sheets**

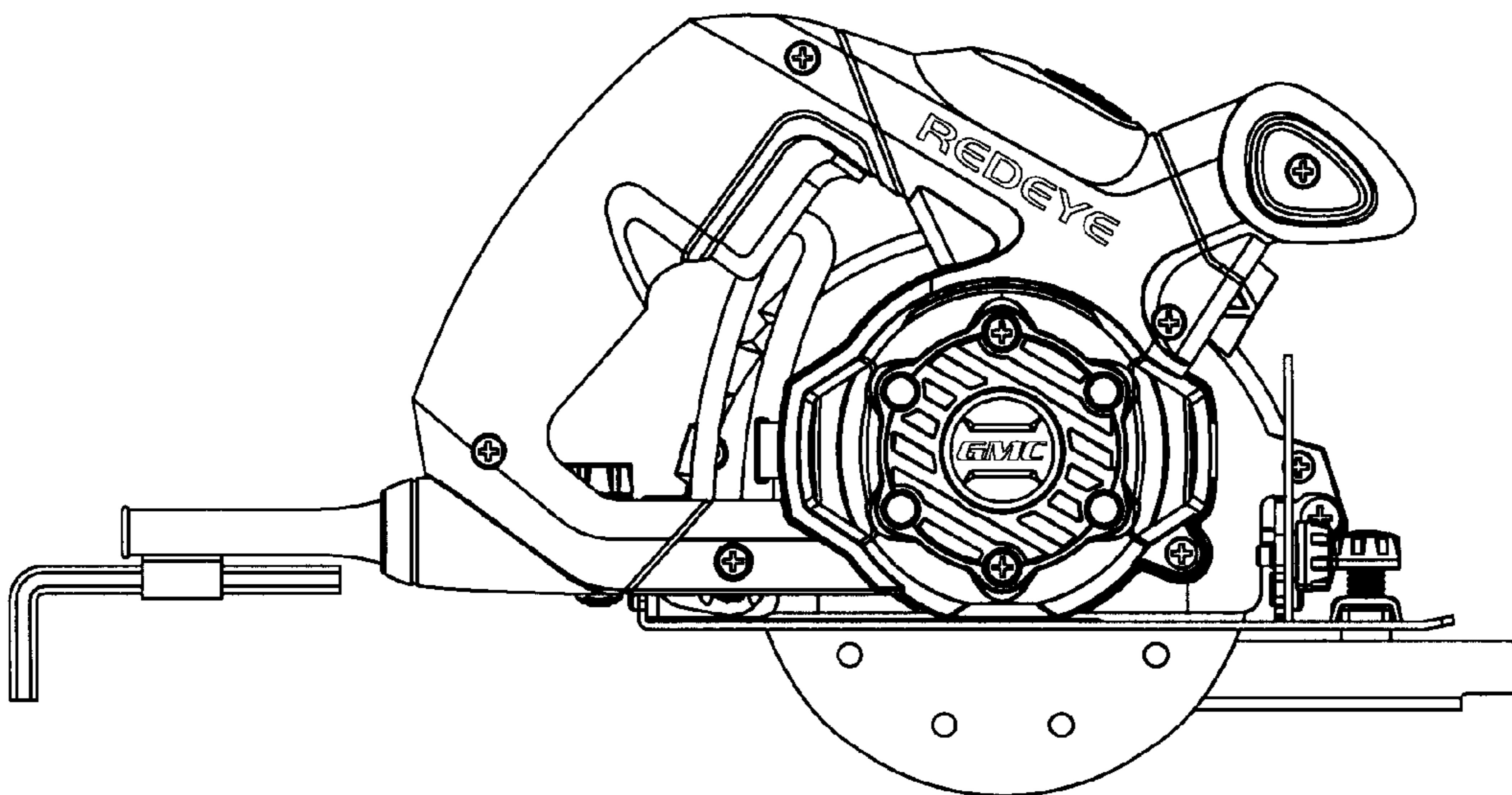




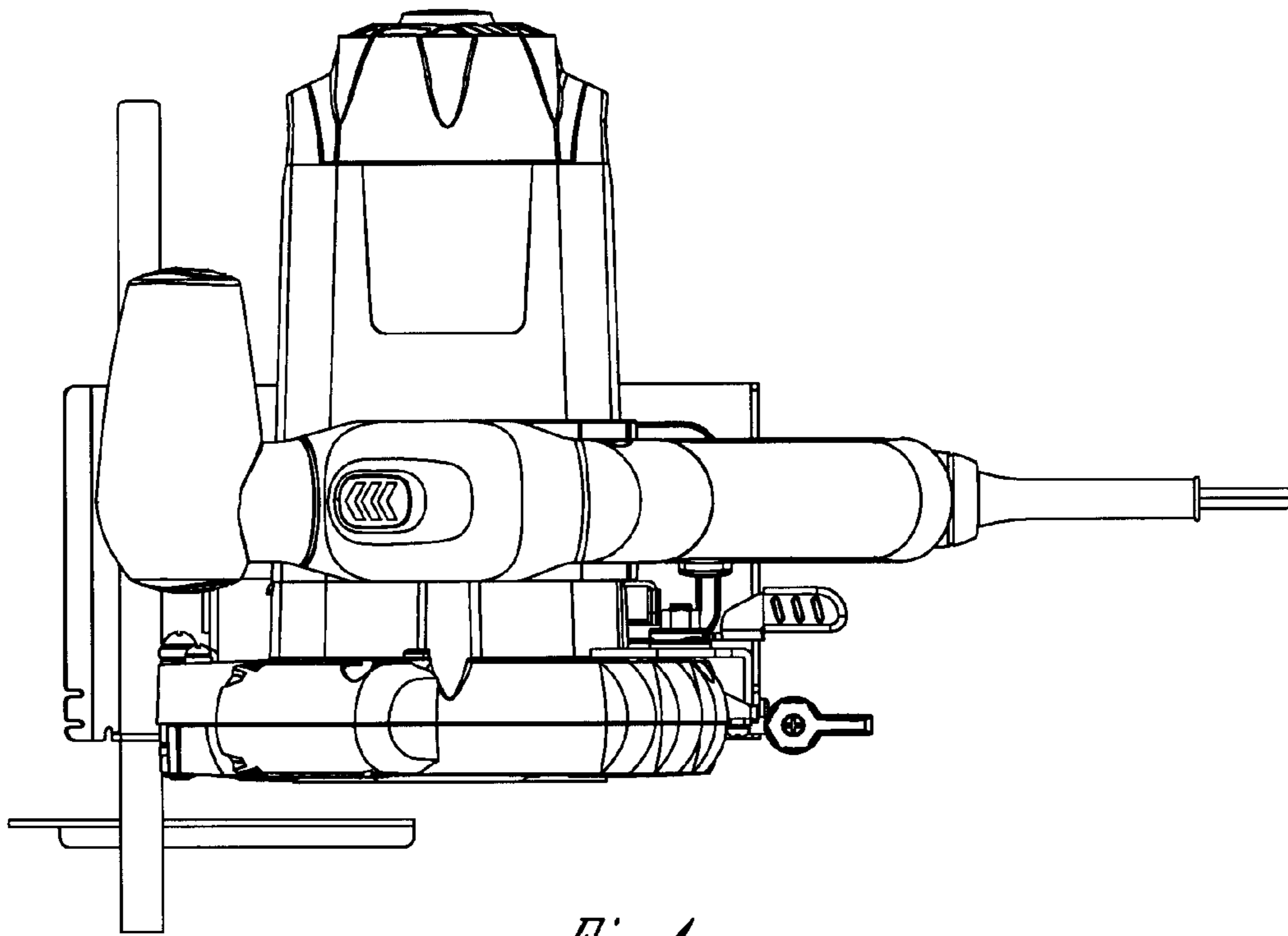
*Fig. 1*



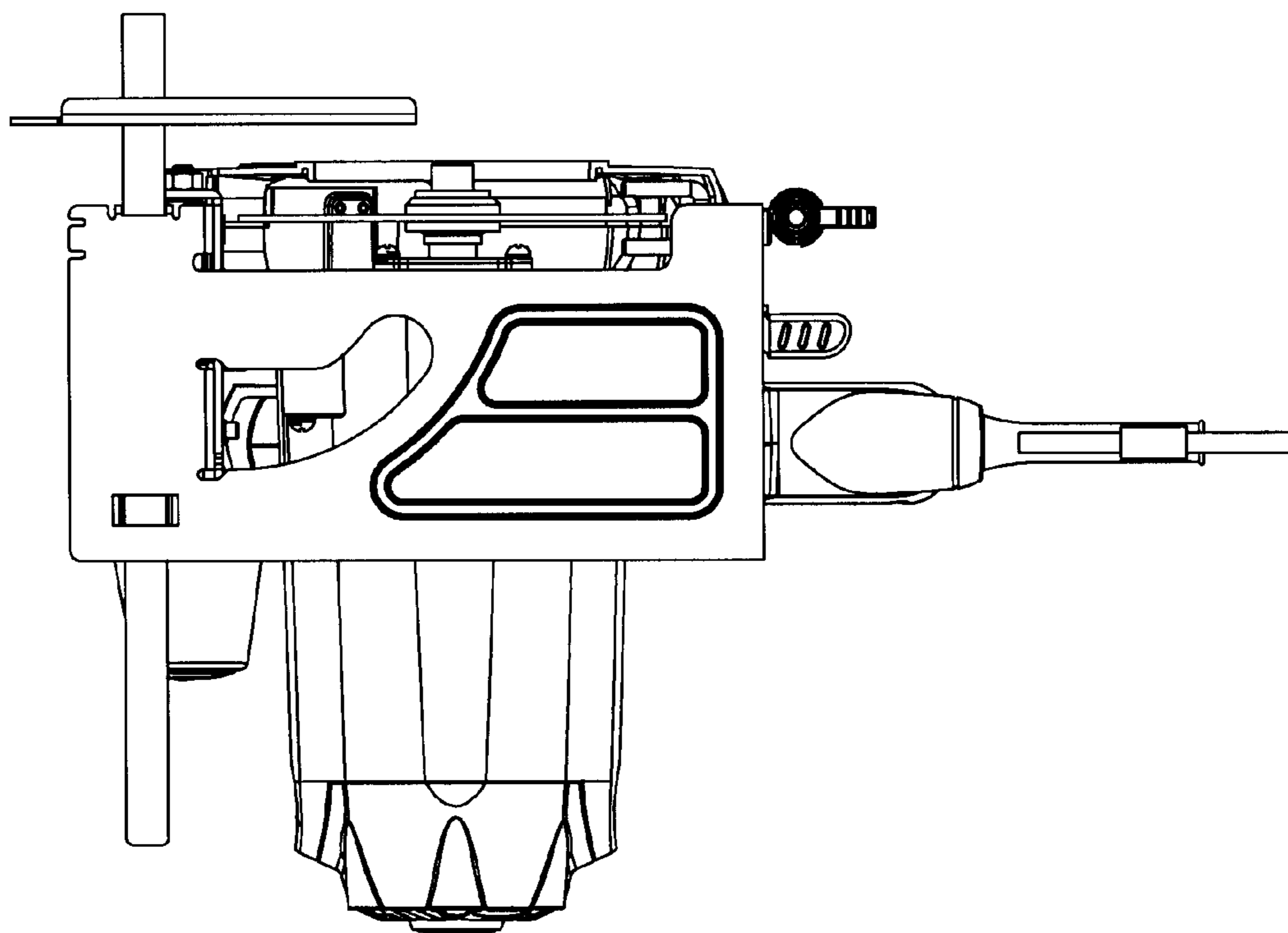
*Fig. 2*



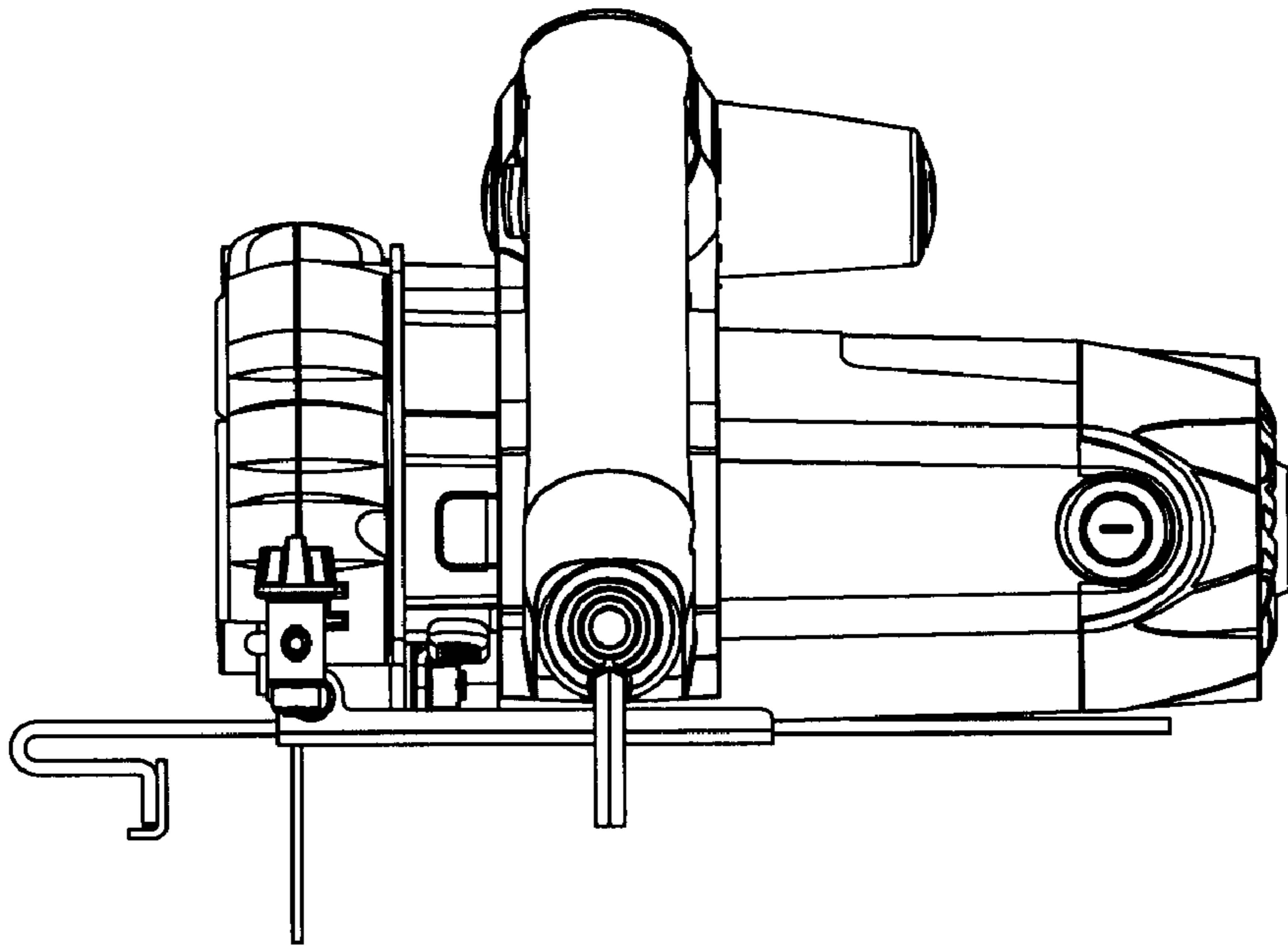
*Fig. 3*



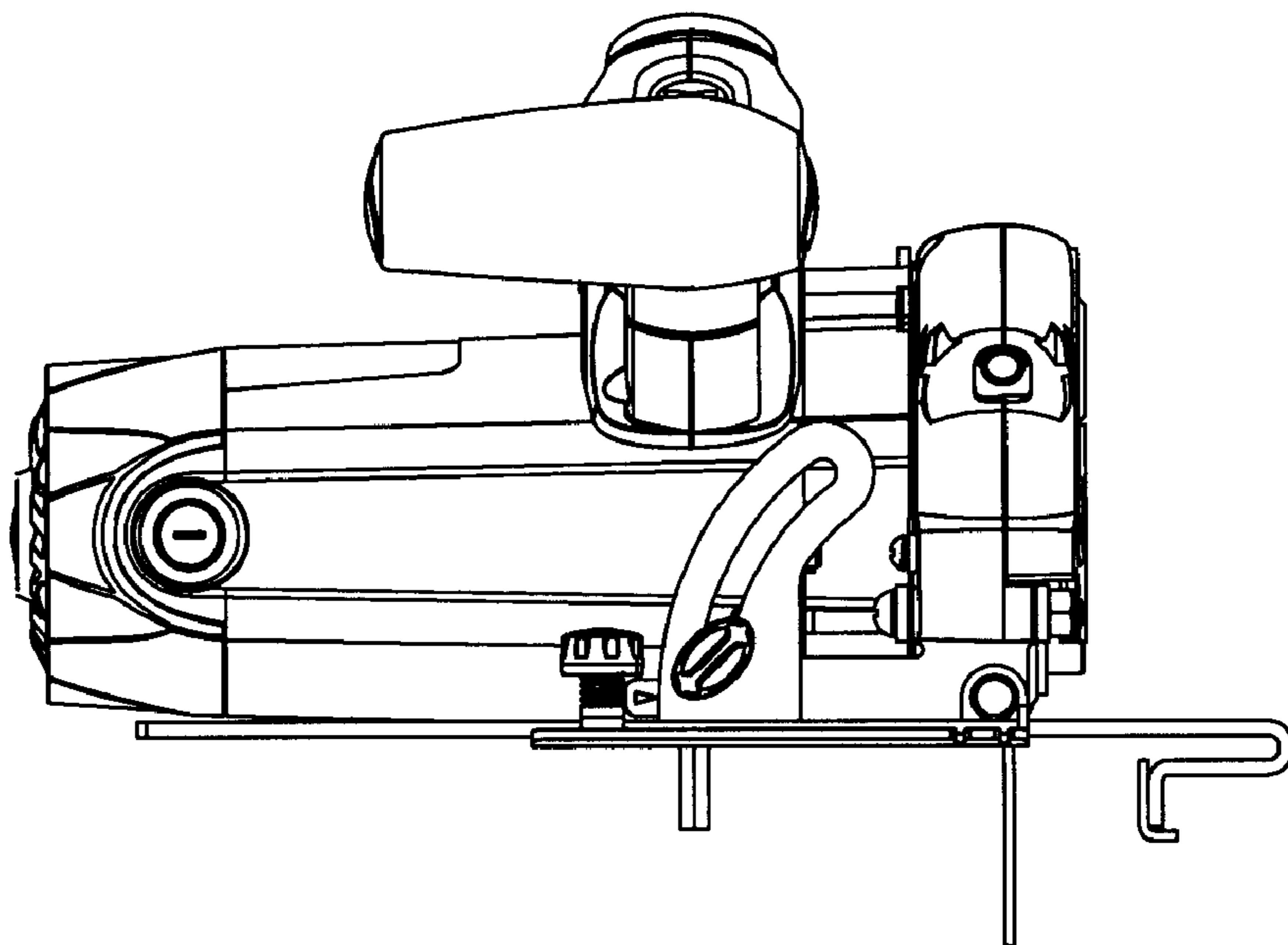
*Fig. 4*



*Fig. 5*



*Fig. 6*



*Fig. 7*