

US00D521834S

(12) **United States Design Patent** (10) **Patent No.:** **US D521,834 S**  
**Andriolo et al.** (45) **Date of Patent:** **\*\* May 30, 2006**

(54) **JIGSAW**

(75) Inventors: **Paolo Andriolo**, Suzhou (CN); **Xuefeng Sun**, Suzhou (CN)

(73) Assignee: **Positec Power Tools (Suzhou) Co., Ltd.** (CN)

(\*\*) Term: **14 Years**

(21) Appl. No.: **29/197,639**

(22) Filed: **Jan. 16, 2004**

(30) **Foreign Application Priority Data**  
 Jul. 28, 2003 (CN) ..... 03346094

(51) **LOC (8) Cl.** ..... **08-03**

(52) **U.S. Cl.** ..... **D8/64**

(58) **Field of Classification Search** ..... D8/69,  
 D8/68, 67, 66, 64, 61; 83/747, 699.21; 310/50;  
 30/394, 393, 392, 391, 390, 377, 376; 173/217,  
 173/216  
 See application file for complete search history.

5,765,463 A *	6/1998	Okubo et al. ....	83/747
5,819,421 A *	10/1998	Giacometti et al. ....	30/392
D404,274 S *	1/1999	Ogasawara et al. ....	D8/64
D414,094 S *	9/1999	Heun .....	D8/64
D440,474 S *	4/2001	Heun .....	D8/64
D451,356 S *	12/2001	Pretzell .....	D8/64
D463,963 S *	10/2002	Metaxatos et al. ....	D8/64
D475,264 S *	6/2003	Kondo et al. ....	D8/64
D476,871 S *	7/2003	Santarsiero et al. ....	D8/64
D484,381 S *	12/2003	Yamada et al. ....	D8/64
D486,711 S *	2/2004	Tam et al. ....	D8/64
D489,239 S *	5/2004	Keller .....	D8/64
D505,851 S *	6/2005	Waldron .....	D8/64
2002/0124419 A1 *	9/2002	Hirabayashi .....	30/329
2003/0167641 A1 *	9/2003	Teng .....	30/337
2003/0196338 A1 *	10/2003	Eto et al. ....	30/392
2005/0229408 A1 *	10/2005	Ngan et al. ....	30/376

\* cited by examiner

*Primary Examiner*—Cathron C. Brooks  
*Assistant Examiner*—Austin Murphy  
 (74) *Attorney, Agent, or Firm*—Fulwider Patton LLP

(57) **CLAIM**

The ornamental design for a jigsaw, as shown and described.

**DESCRIPTION**

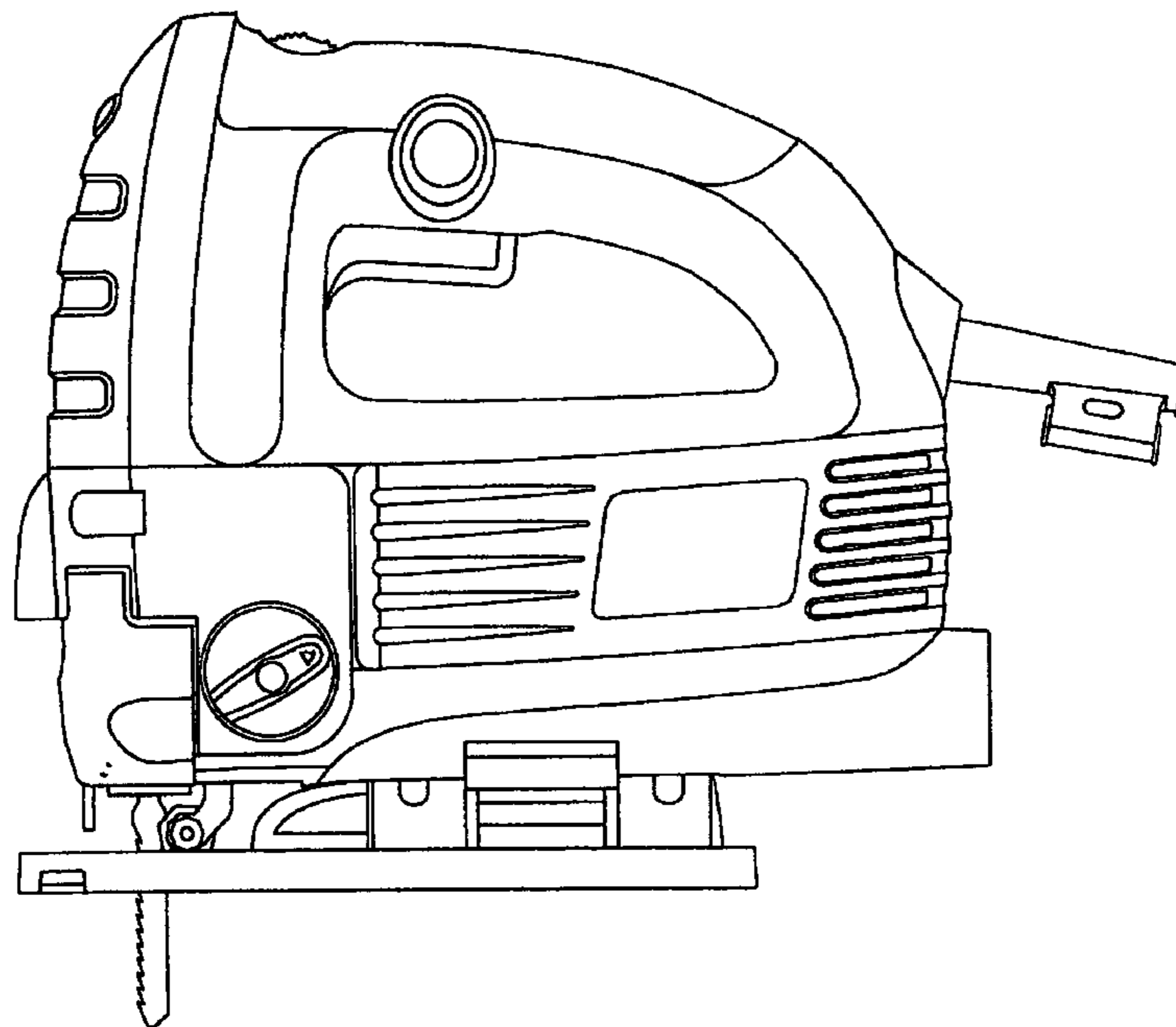
FIG. 1 is a perspective view showing my new design;  
 FIG. 2 is a perspective view thereof;  
 FIG. 3 is a front view thereof;  
 FIG. 4 is a rear view thereof;  
 FIG. 5 is a right view thereof;  
 FIG. 6 is a left view thereof  
 FIG. 7 is a top view thereof; and,  
 FIG. 8 is a bottom view thereof.

**1 Claim, 7 Drawing Sheets**

(56) **References Cited**

**U.S. PATENT DOCUMENTS**

2,931,402 A *	4/1960	Papworth .....	30/393
2,946,358 A *	7/1960	Bruck .....	30/393
3,087,519 A *	4/1963	McCarty et al. ....	30/376
3,494,390 A *	2/1970	Dudek .....	30/394
3,863,342 A *	2/1975	Griffies et al. ....	30/393
3,971,132 A *	7/1976	Griffies et al. ....	30/393
4,693,009 A *	9/1987	Bone .....	30/392
5,205,043 A *	4/1993	Batt et al. ....	30/393
D337,709 S *	7/1993	Ogawa et al. ....	D8/64
5,727,322 A *	3/1998	Giacometti .....	30/376



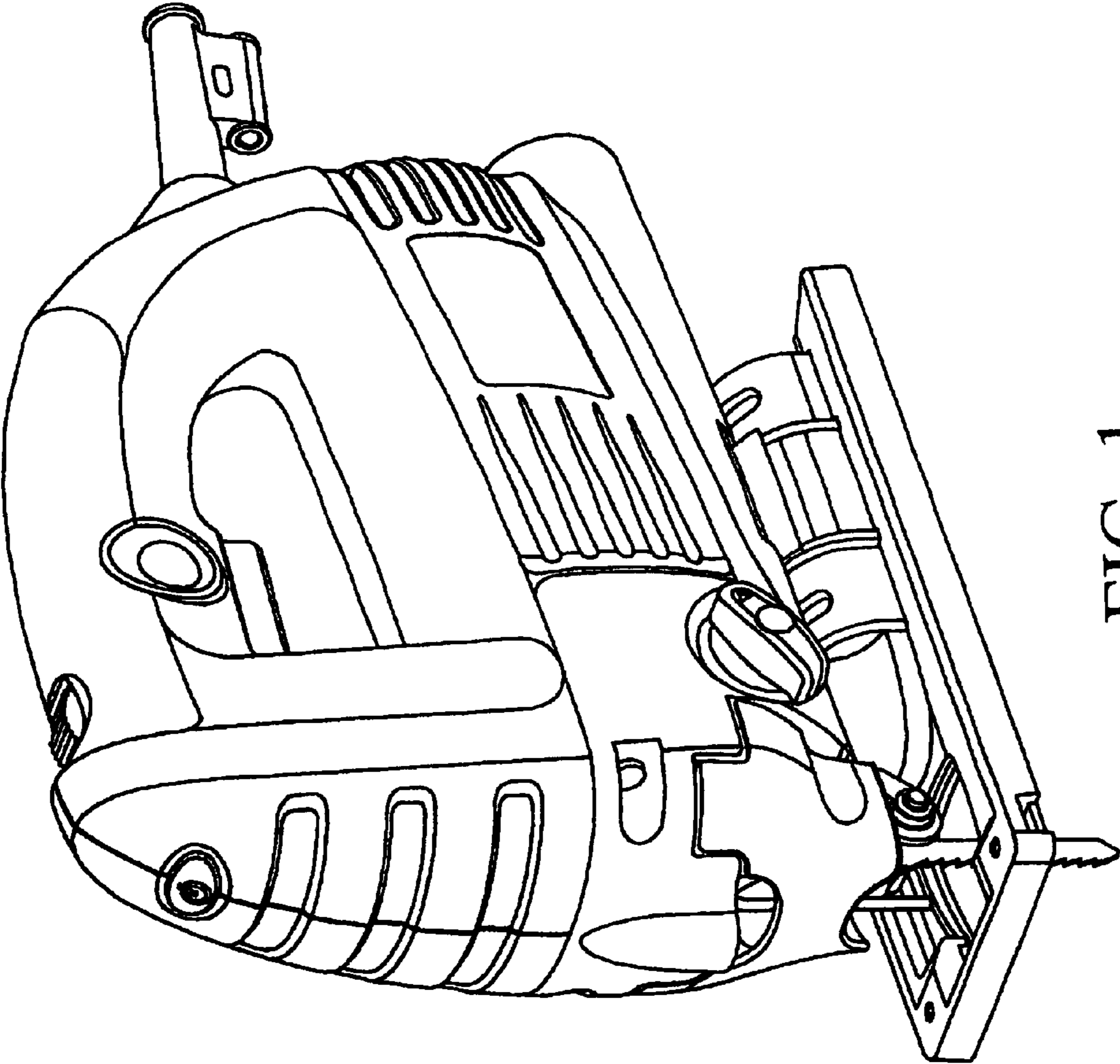


FIG. 1

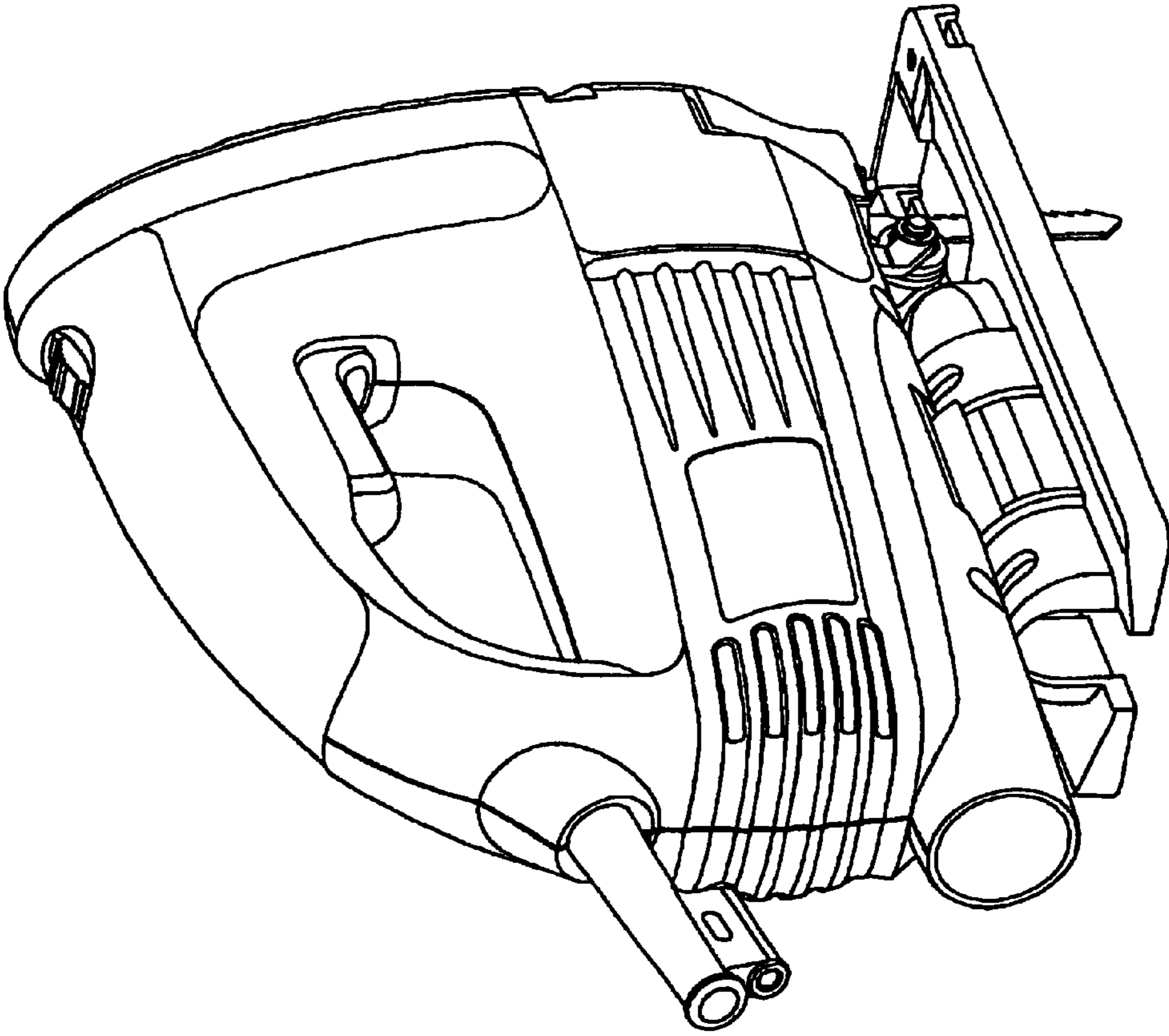


FIG. 2

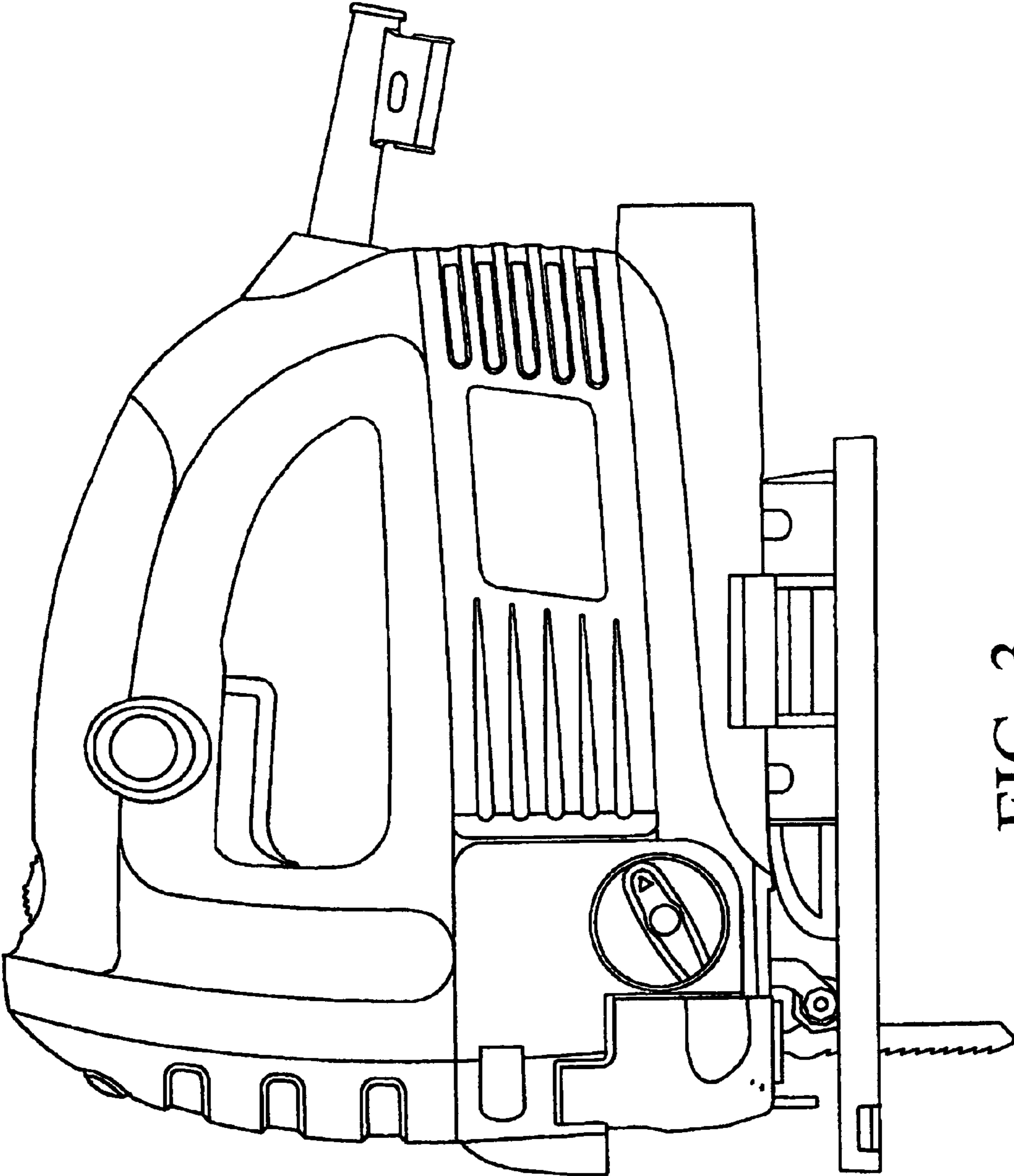


FIG. 3

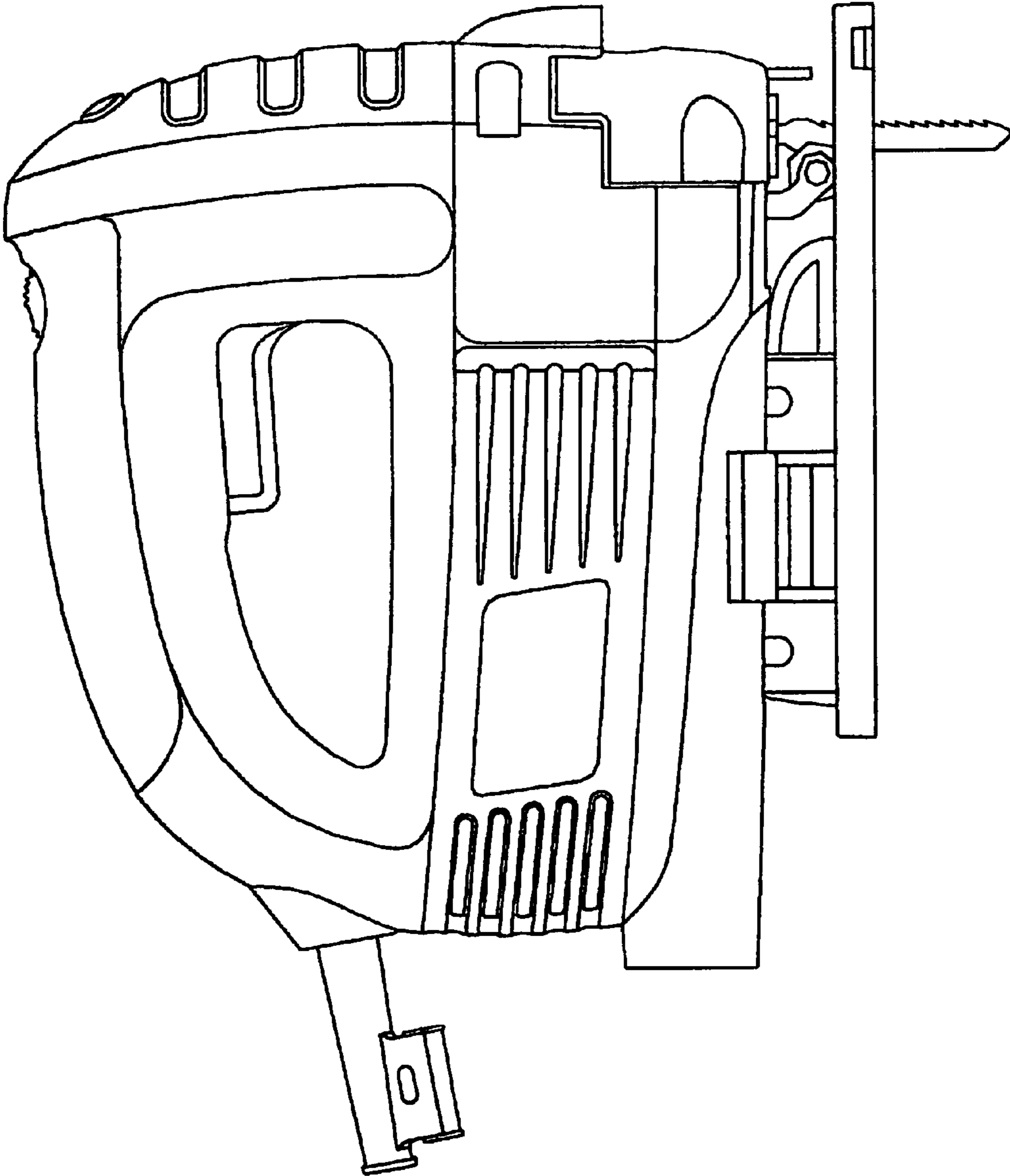


FIG. 4

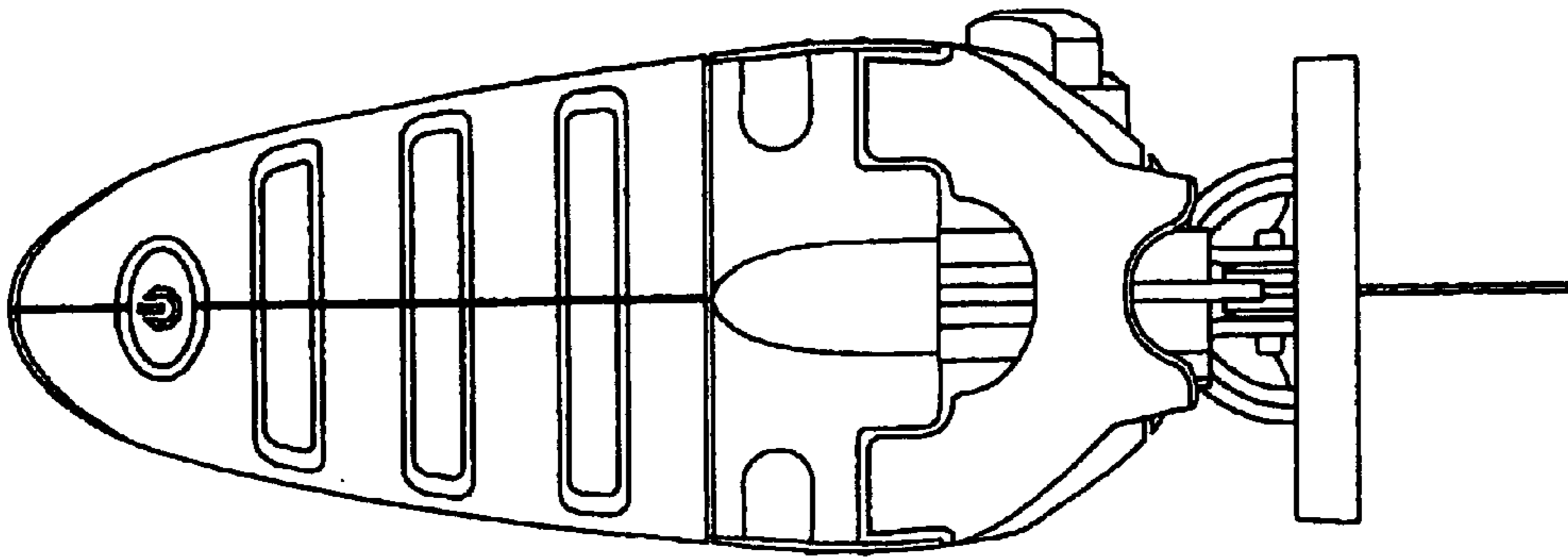


FIG. 6

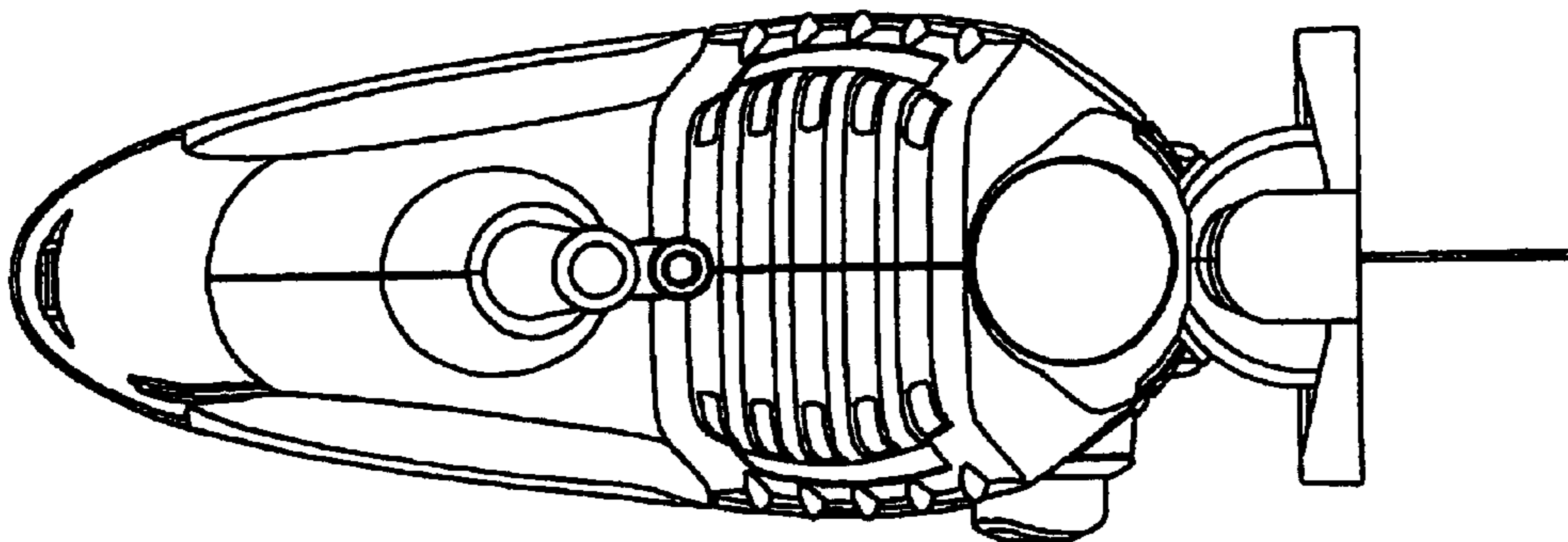


FIG. 5

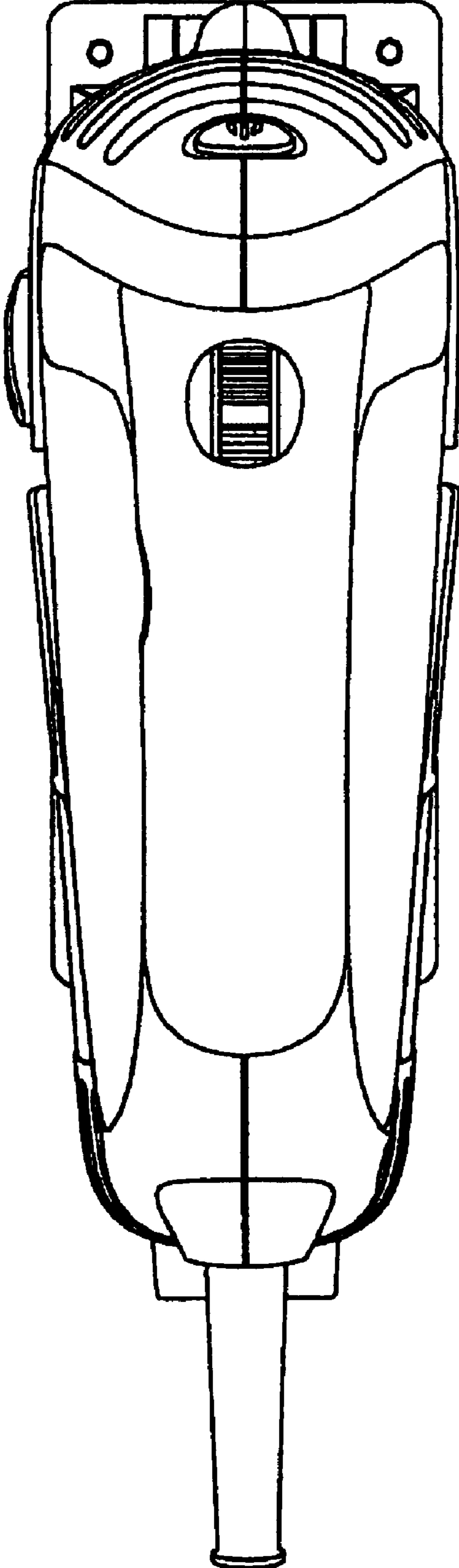


FIG. 7

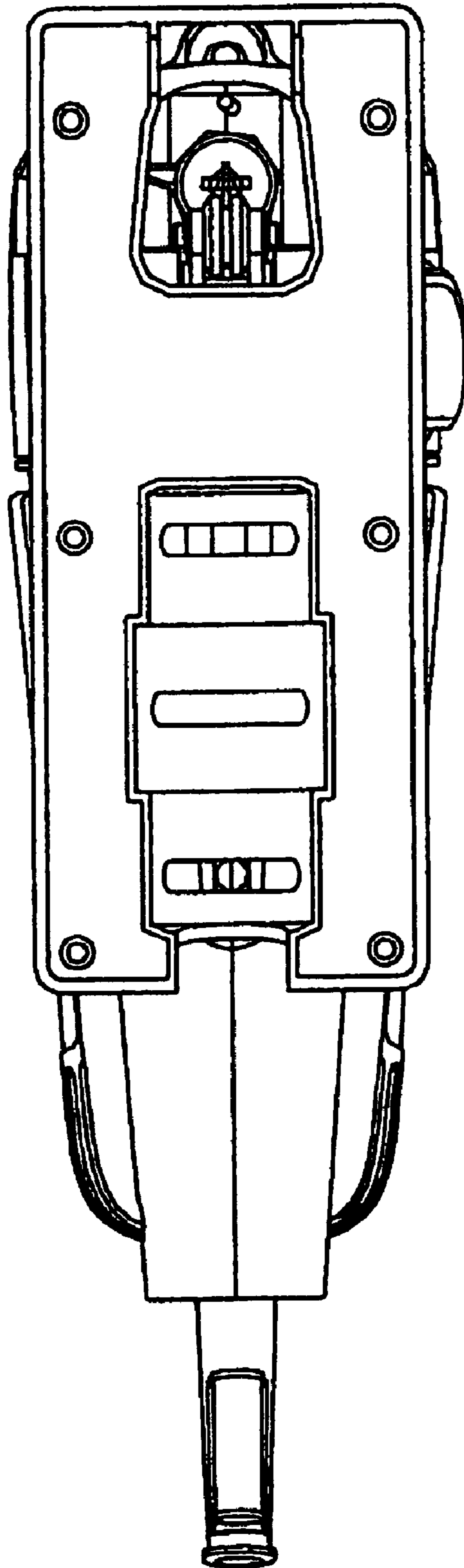


FIG. 8