

US00D521829S

(12) **United States Design Patent** (10) **Patent No.:** **US D521,829 S**
Yale et al. (45) **Date of Patent:** **** May 30, 2006**

(54) **FOLDING TOOL INCLUDING PLIERS**

5,809,599 A 9/1998 Frazer
D401,133 S 11/1998 Gardiner et al.

(75) Inventors: **Melissa C. Yale**, Portland, OR (US);
Hollan A. Tsuda, Portland, OR (US)

(Continued)

(73) Assignee: **Leatherman Tool Group, Inc.**,
Portland, OR (US)

FOREIGN PATENT DOCUMENTS

(**) Term: **14 Years**

EP 0783937 A2 11/1996

(21) Appl. No.: **29/220,912**

(22) Filed: **Jan. 7, 2005**

OTHER PUBLICATIONS

(51) **LOC (8) Cl.** **08-05**

(52) **U.S. Cl.** **D8/52; D8/4**

(58) **Field of Classification Search** D8/4-5,
D8/52, 57-58, 14, 19, 105; 7/128; 81/427.5
See application file for complete search history.

AU 135828 S (Leatherman Tool Group, Inc.) Dec. 7, 1998
[online][retrieved on Sep. 28, 2005] Retrieved from: Aus-
tralian patent database.*

U.S. Appl. No. 29/209,072, filed Jul. 9, 2005, Rivera.

U.S. Appl. No. 29/220,870, filed Jan. 7, 2005, Yale.

U.S. Appl. No. 29/220,922, filed Jan. 7, 2005, Yale.

U.S. Appl. No. 29/220,911, filed Jan. 7, 2005, Tsuda.

U.S. Appl. No. 29/220,831, filed Jan. 7, 2005, Yale.

U.S. Appl. No. 29/220,871, filed Jan. 7, 2005, Yale, et al.

U.S. Appl. No. 29/220,869, filed Jan. 7, 2005, Yale.

SOG "Paratool" Multipurpose Tool, photocopy of User's
Guide, at least as early as 1993.

Leatherman Tool Group, Inc., The Original Leatherman PST
II, photocopy of brochure, at least as early as Jul. 1995.

E-Bay Advertisement, "Early 1900s Folding Fisherman's
Tool MT," Item No. 2153119094, at least as early as Jan. 13,
2003.

(56) **References Cited**

U.S. PATENT DOCUMENTS

- 124,566 A 3/1872 Garrick
- 254,404 A 2/1882 Story
- 3,783,509 A 1/1974 Lake
- 4,238,862 A 12/1980 Leatherman
- D304,154 S 10/1989 Osterhout
- 4,882,841 A 11/1989 Margolis
- D332,384 S 1/1993 Dague
- 5,267,366 A 12/1993 Frazer
- D344,006 S 2/1994 Glesser
- D357,166 S 4/1995 Concari
- D368,634 S 4/1996 Frazer
- 5,511,310 A 4/1996 Sessions et al.
- 5,564,318 A 10/1996 Pail
- D382,190 S 8/1997 Blackston et al.
- D384,872 S 10/1997 Yeh
- D385,168 S 10/1997 Rivera
- D385,169 S 10/1997 Rivera
- D385,170 S 10/1997 Rivera
- 5,711,194 A 1/1998 Anderson
- D392,519 S 3/1998 Hung
- 5,743,582 A 4/1998 Rivera
- 5,745,997 A 5/1998 Berg et al.
- D398,209 S * 9/1998 Rivera D8/52
- D398,213 S 9/1998 Rivera

Primary Examiner—Holly H. Baynham

(74) *Attorney, Agent, or Firm*—Chernoff, Vilhauer,
McClung, Stenzel, LLP

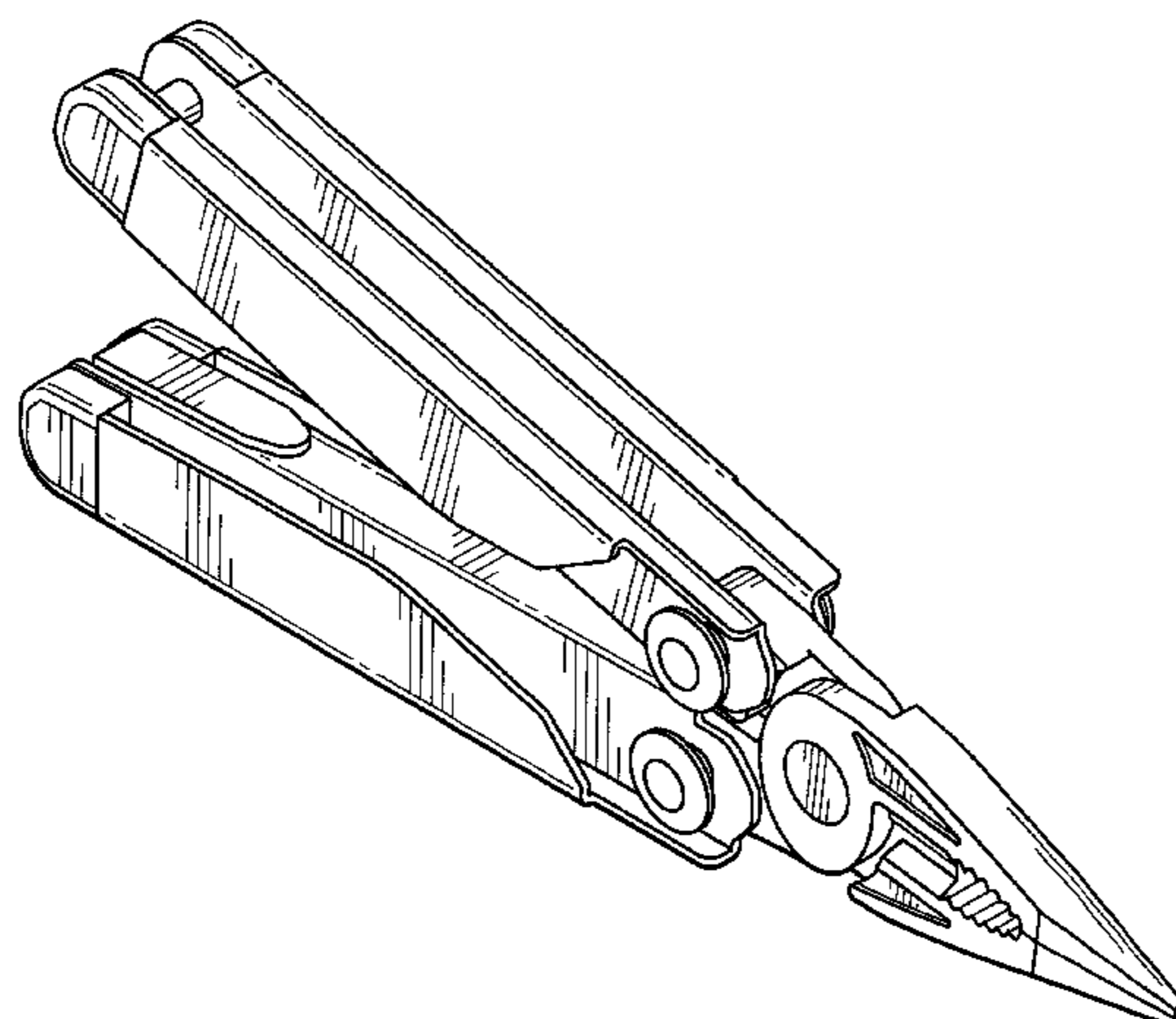
(57) **CLAIM**

The ornamental design for a folding tool including pliers, as
shown and described.

DESCRIPTION

FIG. 1 is an isometric view from the upper right front of a
folding tool including pliers, showing our new design;
FIG. 2 is a side elevational view thereof, an elevational view
of the opposite side being identical therewith;
FIG. 3 is a top plan view thereof, a bottom plan view thereof
being identical therewith;
FIG. 4 is a rear elevational view thereof; and,
FIG. 5 is a front elevational view thereof.

1 Claim, 2 Drawing Sheets



US D521,829 S

U.S. PATENT DOCUMENTS

D403,944 S	1/1999	Rivera		6,282,996 B1	9/2001	Berg et al.	
D405,675 S	2/1999	Rivera		6,305,041 B1	10/2001	Montague et al.	
D405,676 S	2/1999	Rivera		6,318,218 B1	11/2001	Anderson	
D406,508 S	3/1999	Rivera		6,389,625 B1	5/2002	Rivera	
D406,509 S	3/1999	Rivera		6,408,522 B1	6/2002	Rivera	
D407,004 S	3/1999	Hull et al.		6,427,334 B1	8/2002	Onion	
D407,622 S	4/1999	Rivera		6,510,767 B1	1/2003	Rivera	
D408,238 S	4/1999	Rivera		D470,031 S	2/2003	Rivera	
5,978,993 A	11/1999	Rivera		D470,032 S	2/2003	Rivera	
D417,601 S	12/1999	Rivera		D470,372 S	* 2/2003	Rivera	D8/52
6,003,180 A	12/1999	Frazer		D474,085 S	* 5/2003	Rivera	D8/58
6,014,787 A	1/2000	Rivera		D474,670 S	5/2003	Rivera	
D421,377 S	3/2000	Rivera		D479,788 S	9/2003	Ocklenburg	
6,047,426 A	4/2000	McIntosh et al.		6,622,328 B1	9/2003	Rivera	
D426,446 S	* 6/2000	Chau	D8/105	6,625,832 B1	9/2003	Montague et al.	
D426,447 S	6/2000	Chau		D494,032 S	* 8/2004	Rivera	D8/58
D427,501 S	7/2000	Rivera		D496,846 S	10/2004	Rivera et al.	
D429,131 S	8/2000	Rivera		D496,847 S	10/2004	Rivera et al.	
D429,132 S	8/2000	Rivera		D497,093 S	10/2004	Rivera et al.	
D429,616 S	8/2000	Rivera		D497,094 S	10/2004	Rivera et al.	
6,128,805 A	10/2000	Rivera		D497,095 S	10/2004	Rivera et al.	
D433,902 S	11/2000	Rivera		D497,096 S	10/2004	Rivera et al.	
D435,776 S	1/2001	Veltz et al.		D497,532 S	10/2004	Rivera et al.	
D436,514 S	1/2001	Rivera		D497,790 S	11/2004	Rivera et al.	
6,216,301 B1	4/2001	Rivera		D497,791 S	11/2004	Rivera et al.	
6,226,822 B1	5/2001	Chen		D499,621 S	12/2004	Tsuda	
D445,009 S	* 7/2001	Rivera	D8/52	D499,622 S	12/2004	Rivera et al.	
D446,708 S	8/2001	Rivera		D501,127 S	1/2005	Rivera et al.	
D446,709 S	8/2001	Rivera		2003/0192128 A1	10/2003	Rivera	
D447,039 S	8/2001	Rivera		2004/0003472 A1	1/2004	Dallas et al.	
D447,041 S	8/2001	Rivera		2004/0019973 A1	2/2004	Rivera	
D447,401 S	9/2001	Rivera					

* cited by examiner

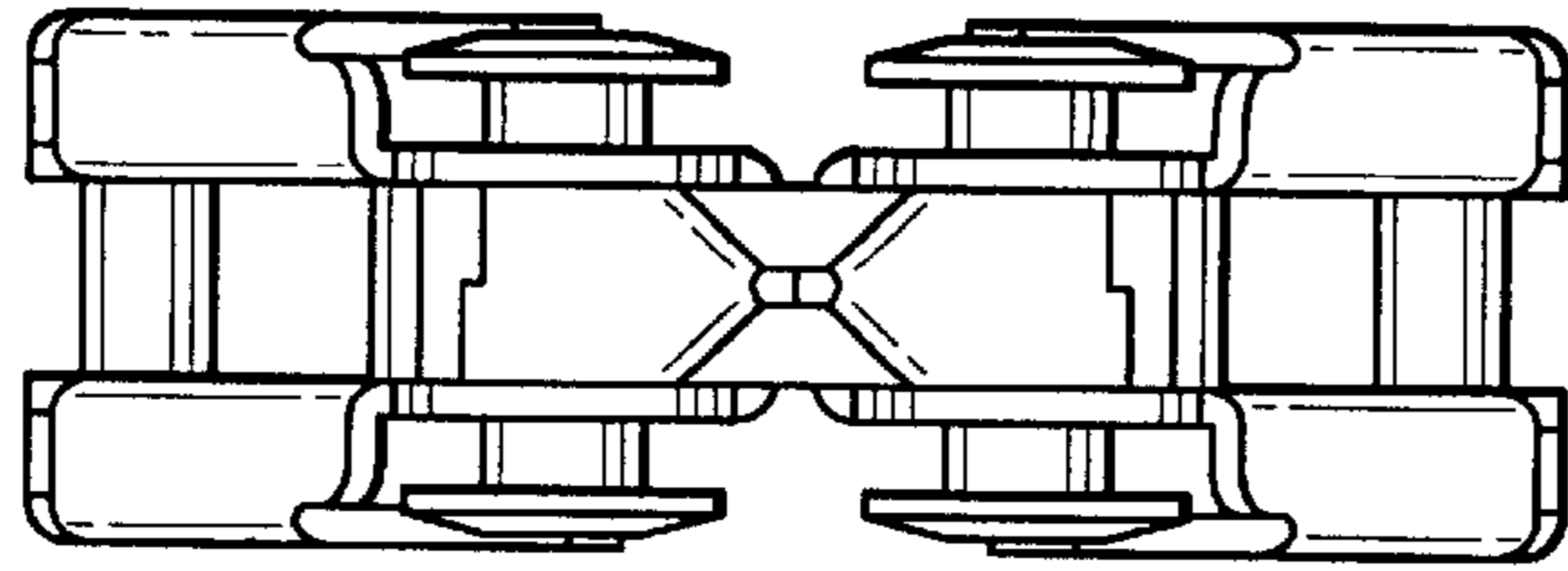


FIG. 5

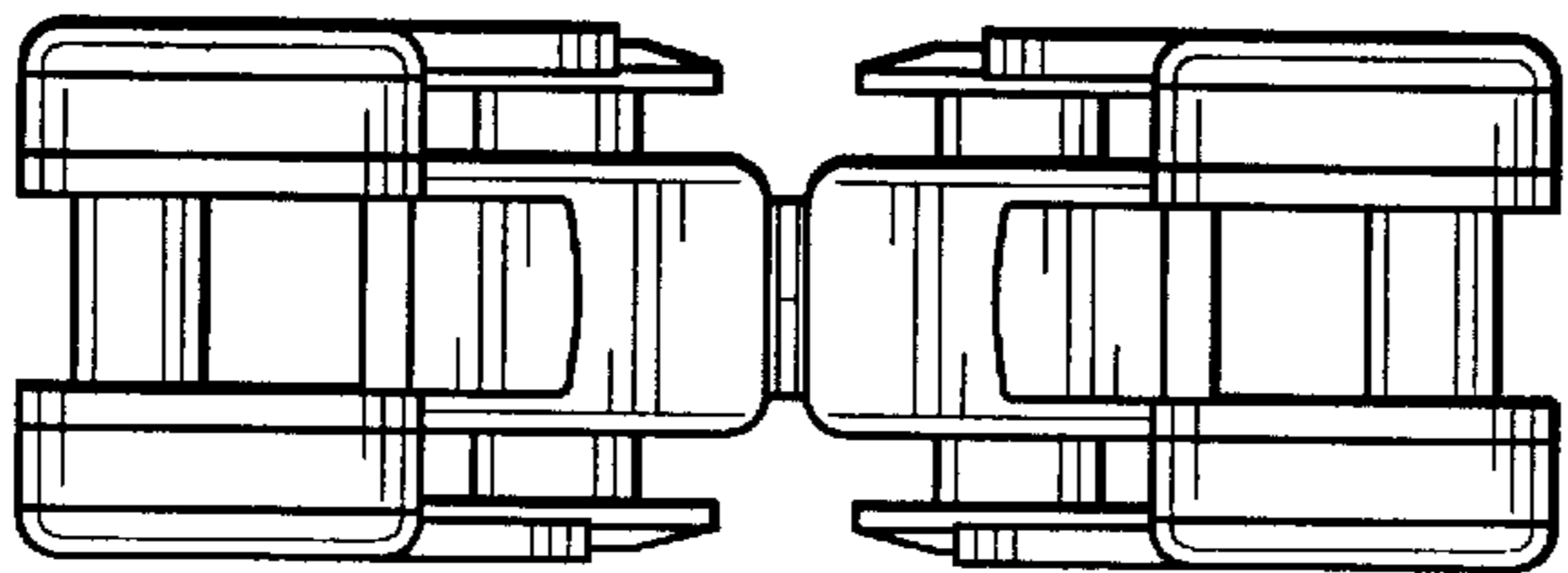


FIG. 4

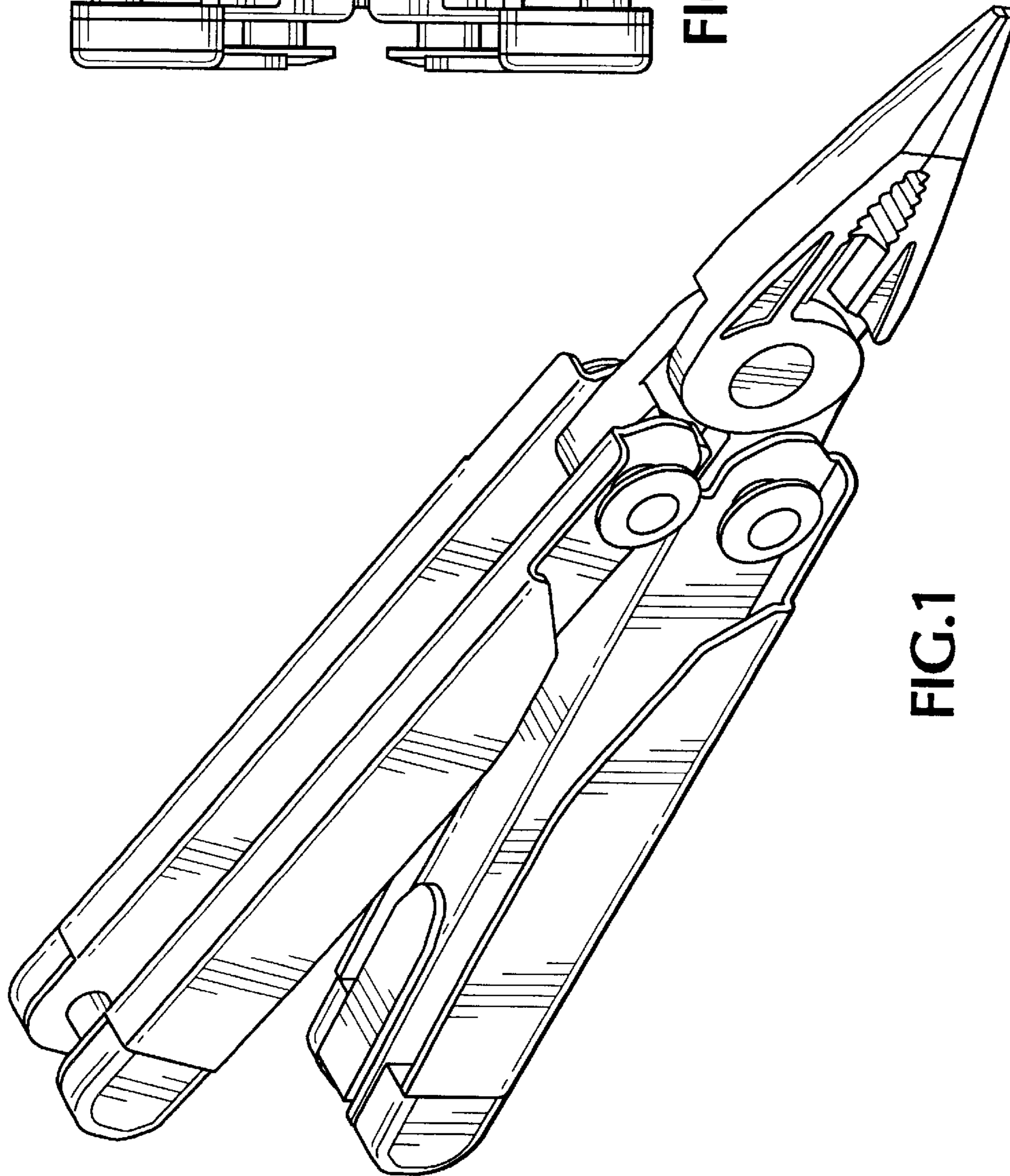


FIG. 1

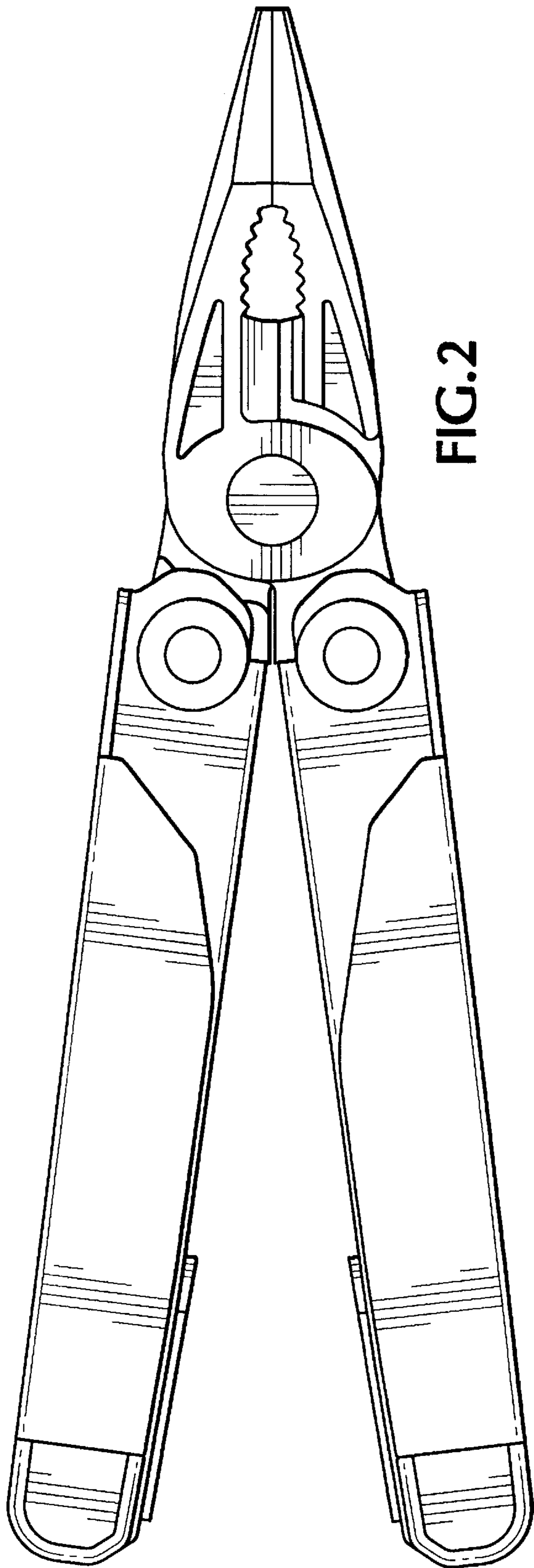


FIG. 2

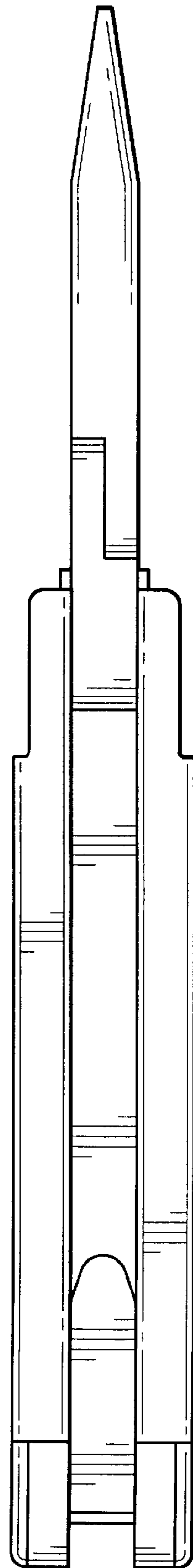


FIG. 3