



US00D521828S

(12) **United States Design Patent**
Overthun et al.

(10) **Patent No.:** **US D521,828 S**

(45) **Date of Patent:** **** May 30, 2006**

(54) **CORKSCREW**

(75) Inventors: **Thomas Overthun**, San Francisco, CA (US); **Annetta Papadopoulos**, Palo Alto, CA (US); **David Webster**, San Francisco, CA (US); **Kurt Gregory Botsai**, Thousand Oaks, CA (US); **Lance Gordon Hussey**, Simi Valley, CA (US); **Ingvald Alain Smith-Kielland**, Los Angeles, CA (US); **Craig Steele**, Manhattan Beach, CA (US)

(73) Assignee: **Zyliss U.S.A.**, Foothill Ranch, CA (US)

(**) Term: **14 Years**

(21) Appl. No.: **29/225,503**

(22) Filed: **Mar. 16, 2005**

(51) **LOC (8) Cl.** **07-06**

(52) **U.S. Cl.** **D8/42**

(58) **Field of Classification Search** D8/33-43,
D8/105; D7/665, 666, 680, 683-687; D27/195;
7/113, 151-155; 30/113.1, 113.2, 113.3; 81/3.29,
81/3.45, 3.48, 3.49

See application file for complete search history.

(56) **References Cited**

U.S. PATENT DOCUMENTS

4,570,512 A * 2/1986 Pracht 81/3.29

D335,072 S * 4/1993 Gourhant D8/42
D397,010 S * 8/1998 Usbeck D8/42
D404,271 S * 1/1999 Allendorf et al. D8/42
D404,987 S * 2/1999 Larimer D8/38
D421,701 S * 3/2000 Hollinger D8/42
6,282,985 B1 * 9/2001 Tseng 81/3.29
D491,429 S * 6/2004 Simons D8/42
D498,651 S * 11/2004 Bates et al. D8/42

* cited by examiner

Primary Examiner—Caron D. Veynar

Assistant Examiner—Garth Rademaker

(74) *Attorney, Agent, or Firm*—Brinks Hofer Gilson & Lione

(57) **CLAIM**

We claim the ornamental design for a corkscrew, as shown and described.

DESCRIPTION

FIG. 1 is a top perspective view of a corkscrew of the present invention;

FIG. 2 is a left side view thereof, the opposite side being a mirror image;

FIG. 3 is a rear view thereof;

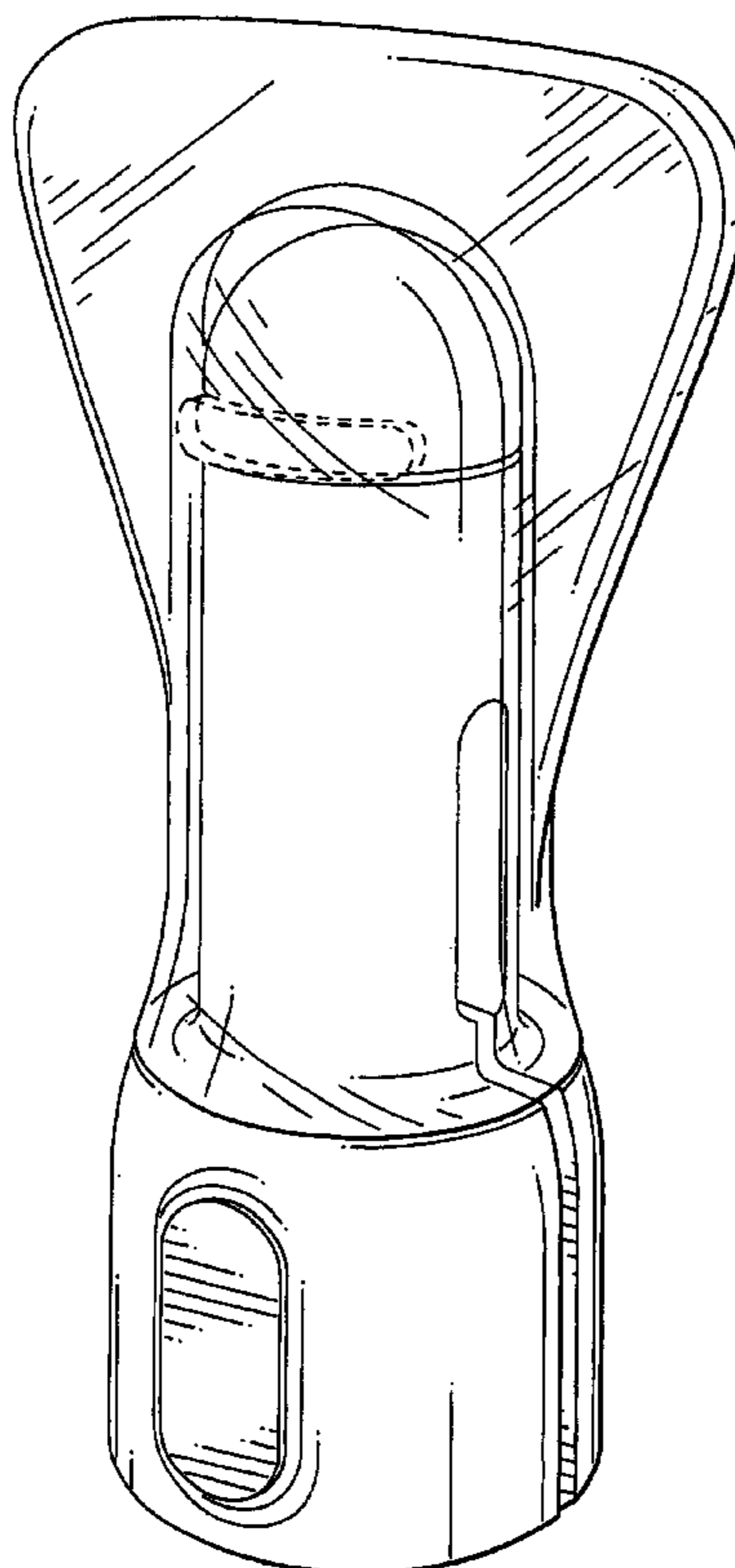
FIG. 4 is a front view thereof;

FIG. 5 is a top view thereof; and,

FIG. 6 is a bottom view thereof.

The broken lines in the drawings are for illustrative purposes only and form no part of the claimed design.

1 Claim, 5 Drawing Sheets



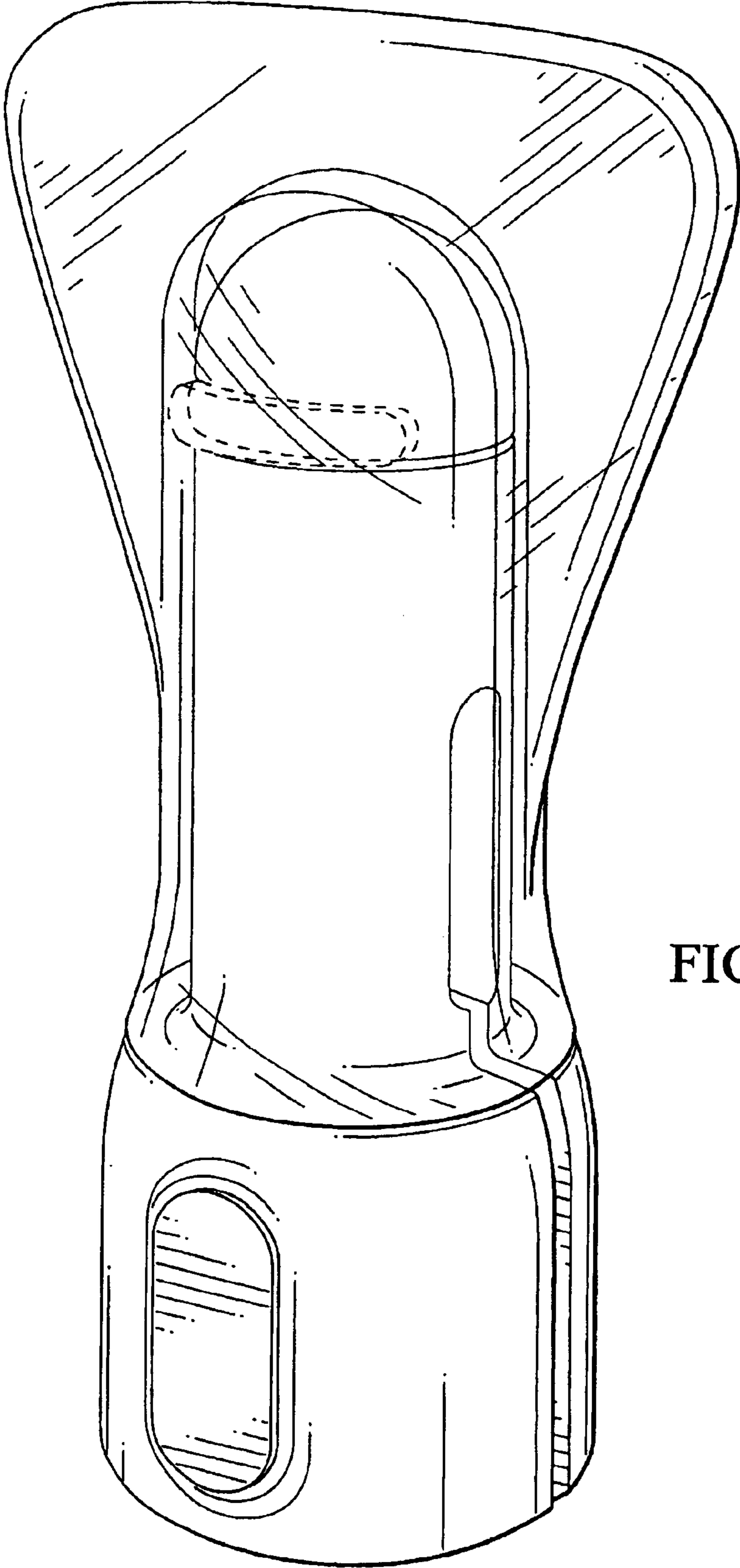


FIG. 1

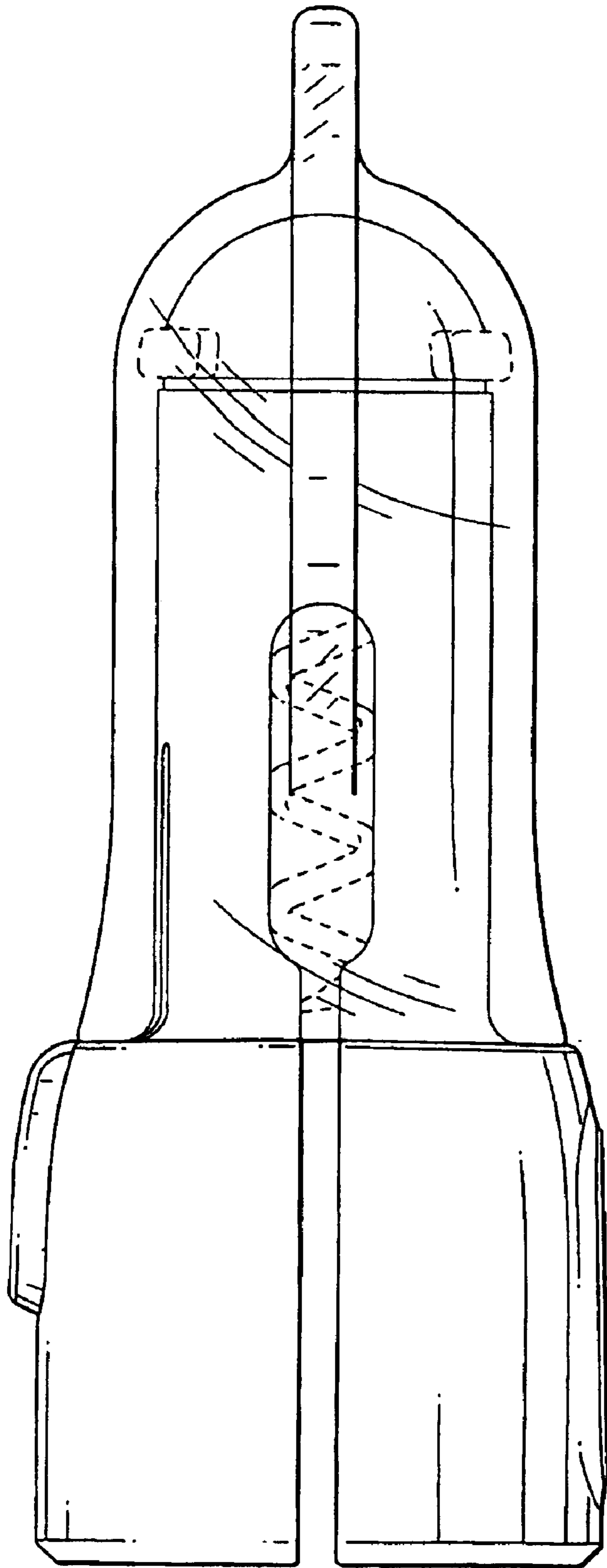


FIG. 2

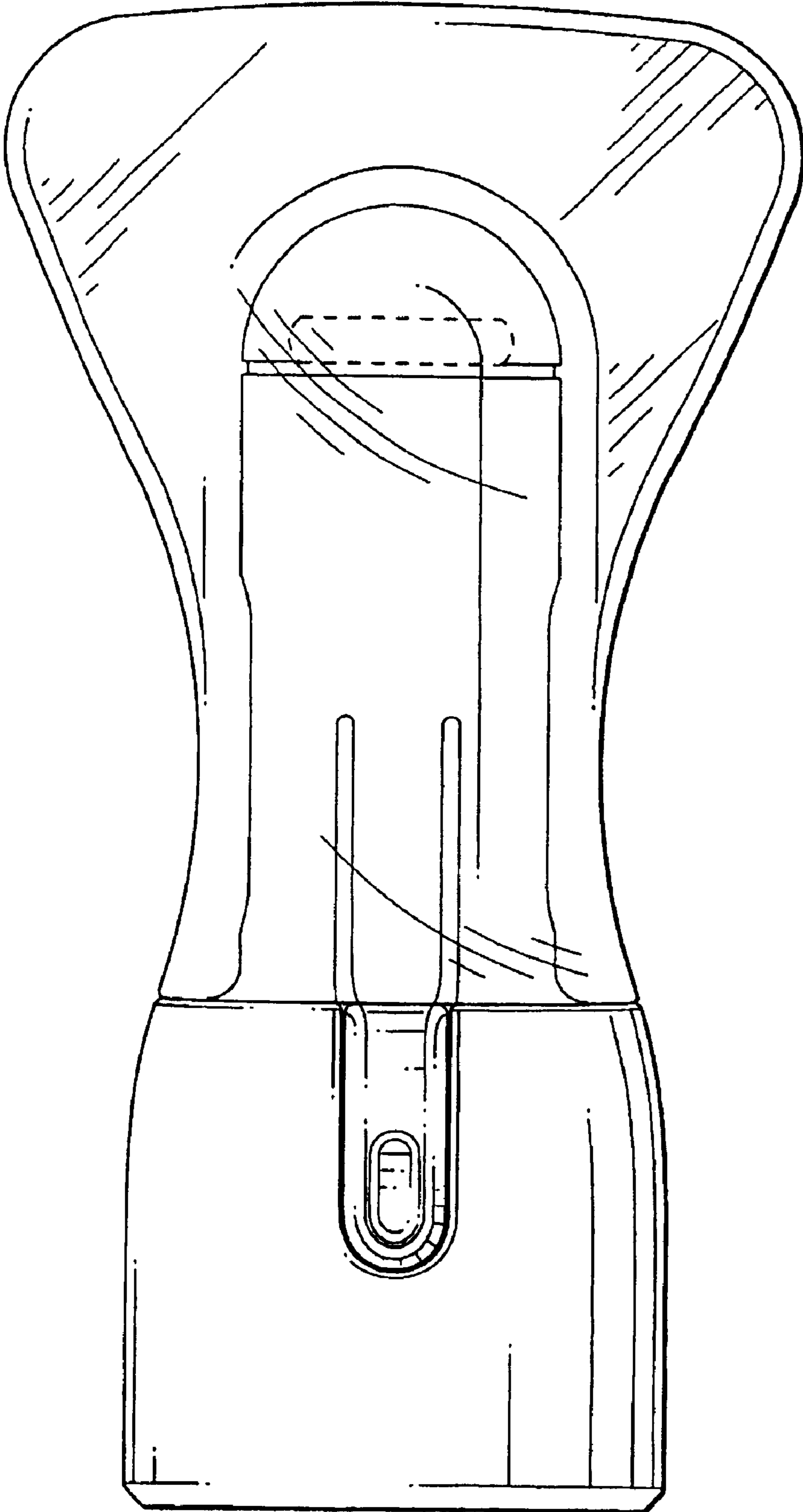


FIG. 3

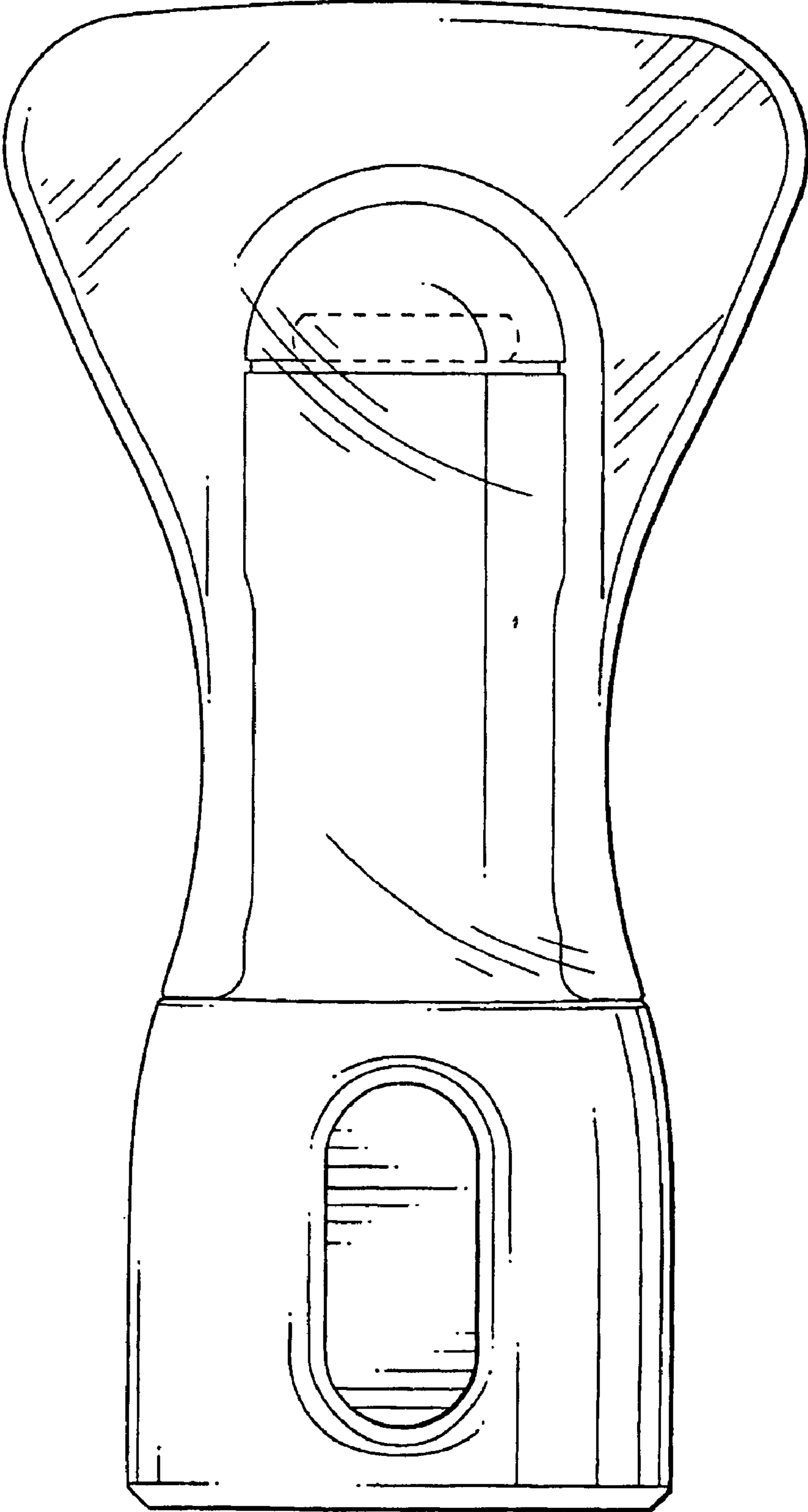


FIG. 4

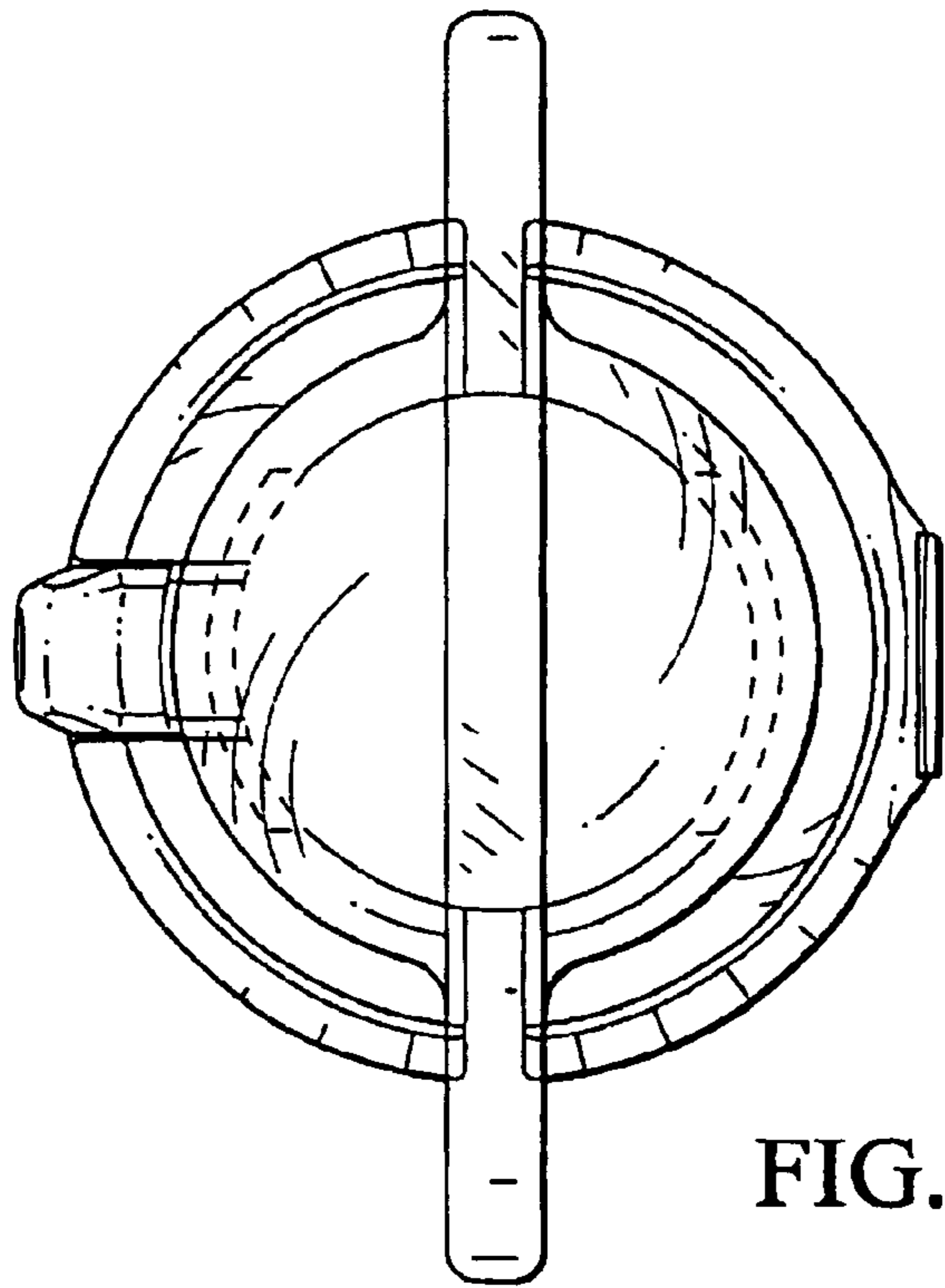


FIG. 5

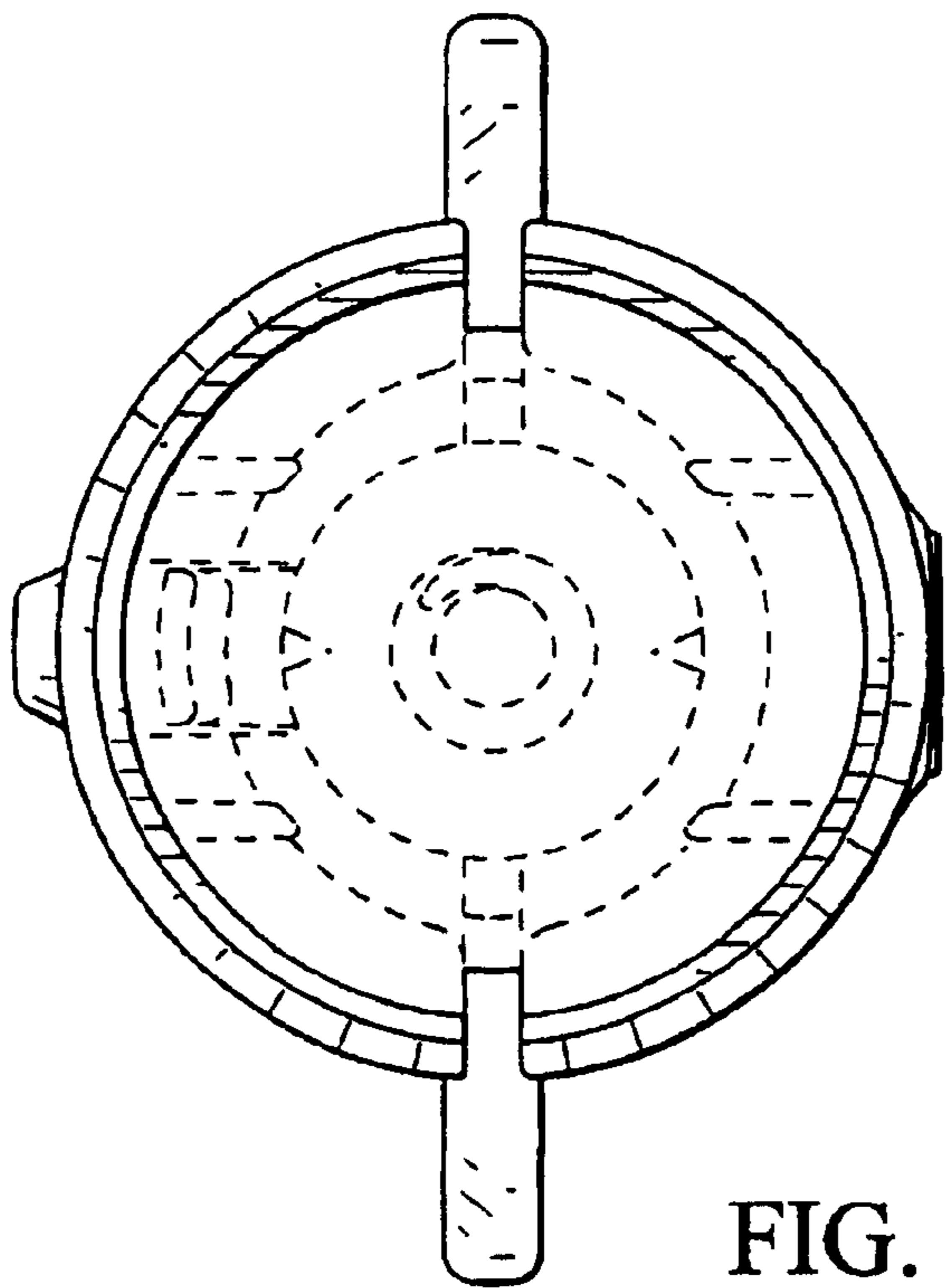


FIG. 6