



US00D521827S

(12) **United States Design Patent**  
**So**

(10) **Patent No.:** **US D521,827 S**

(45) **Date of Patent:** **\*\* May 30, 2006**

(54) **CAN OPENER**

(75) Inventor: **Shun So, Kowloon (HK)**

(73) Assignee: **Union Lucky Industrial Limited,**  
**Kowloon (HK)**

(\*\*) Term: **14 Years**

(21) Appl. No.: **29/225,189**

(22) Filed: **Mar. 14, 2005**

(51) **LOC (8) Cl.** ..... **07-99**

(52) **U.S. Cl.** ..... **D8/41**

(58) **Field of Classification Search** ..... D8/18,  
D8/33-43, 98, 105; D7/372-374, 381, 386,  
D7/669, 693; 7/151-156; 30/400-450; 81/3.07,  
81/3.08, 3.2, 3.35, 3.4  
See application file for complete search history.

(56) **References Cited**

**U.S. PATENT DOCUMENTS**

D326,039	S	*	5/1992	Viemeister	.....	D8/33
5,291,658	A	*	3/1994	Wilson et al.	.....	30/418
D406,026	S	*	2/1999	So	.....	D8/39
D441,626	S	*	5/2001	Greiner	.....	D8/41

D442,044	S	*	5/2001	Juhlin et al.	.....	D8/39
D466,771	S	*	12/2002	Chang	.....	D8/41
D471,412	S	*	3/2003	Greiner	.....	D8/41
6,647,631	B1	*	11/2003	So	.....	30/417
6,851,195	B1	*	2/2005	So	.....	30/418
D510,690	S	*	10/2005	Greiner	.....	D8/40
2004/0064957	A1	*	4/2004	So	.....	30/418

\* cited by examiner

*Primary Examiner*—Caron D. Veynar

*Assistant Examiner*—Garth Rademaker

(74) *Attorney, Agent, or Firm*—Leydig, Voit & Mayer, Ltd.

(57) **CLAIM**

The ornamental design for a can opener, as shown.

**DESCRIPTION**

FIG. 1 is a top plan view of a can opener showing my new design,

FIG. 2 is a bottom plan view thereof;

FIG. 3 is a left side elevational view thereof;

FIG. 4 is a right side elevational view thereof;

FIG. 5 is a front elevational view thereof; and,

FIG. 6 is a rear elevational view thereof.

**1 Claim, 3 Drawing Sheets**

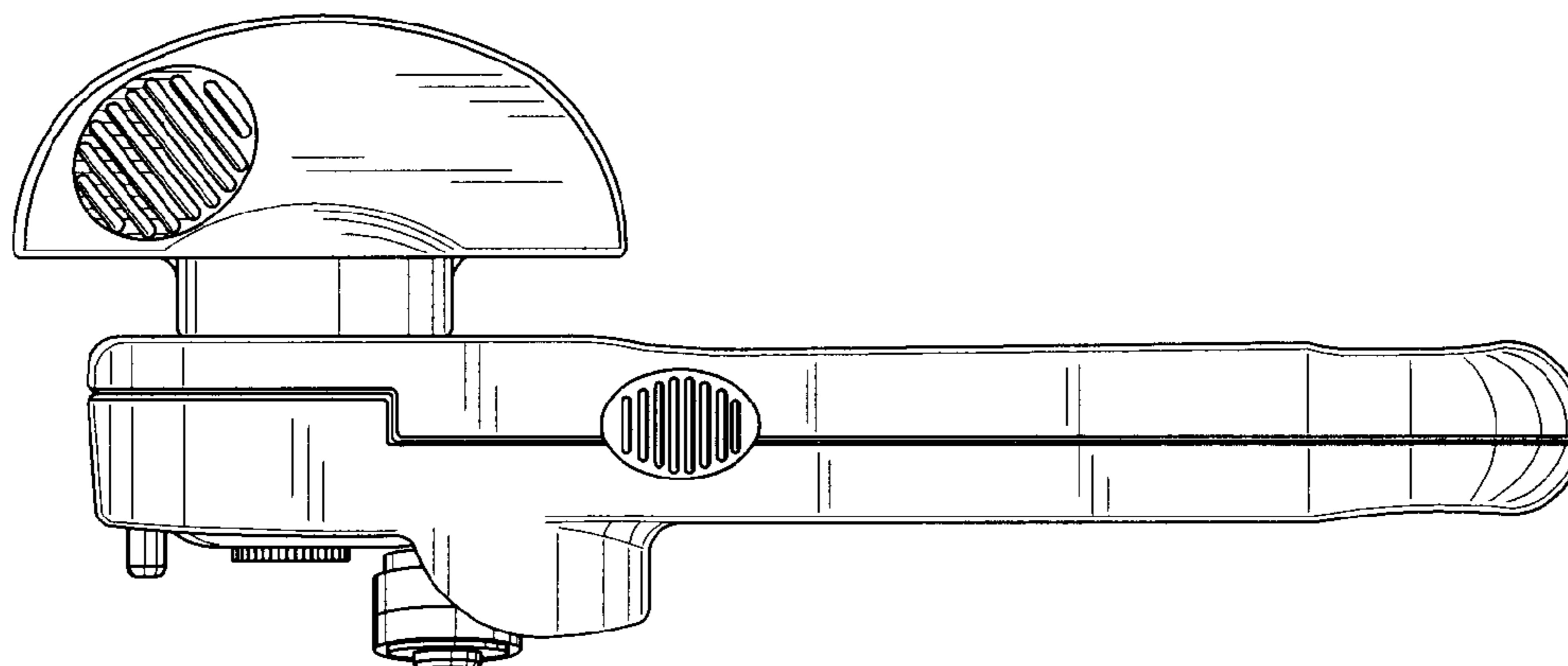
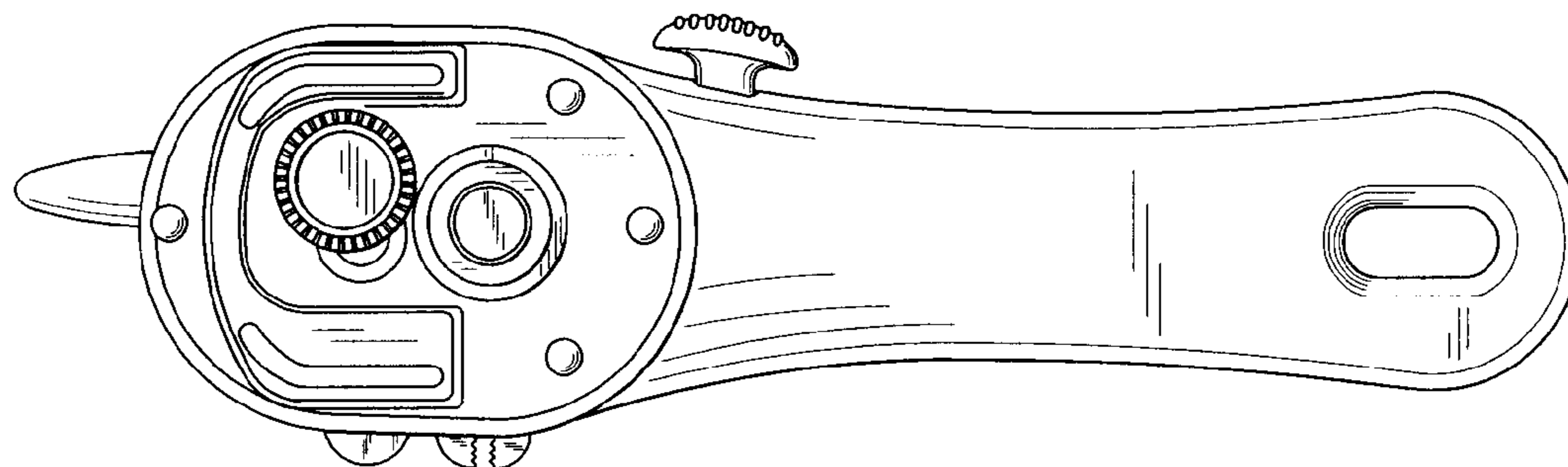


FIG. 1

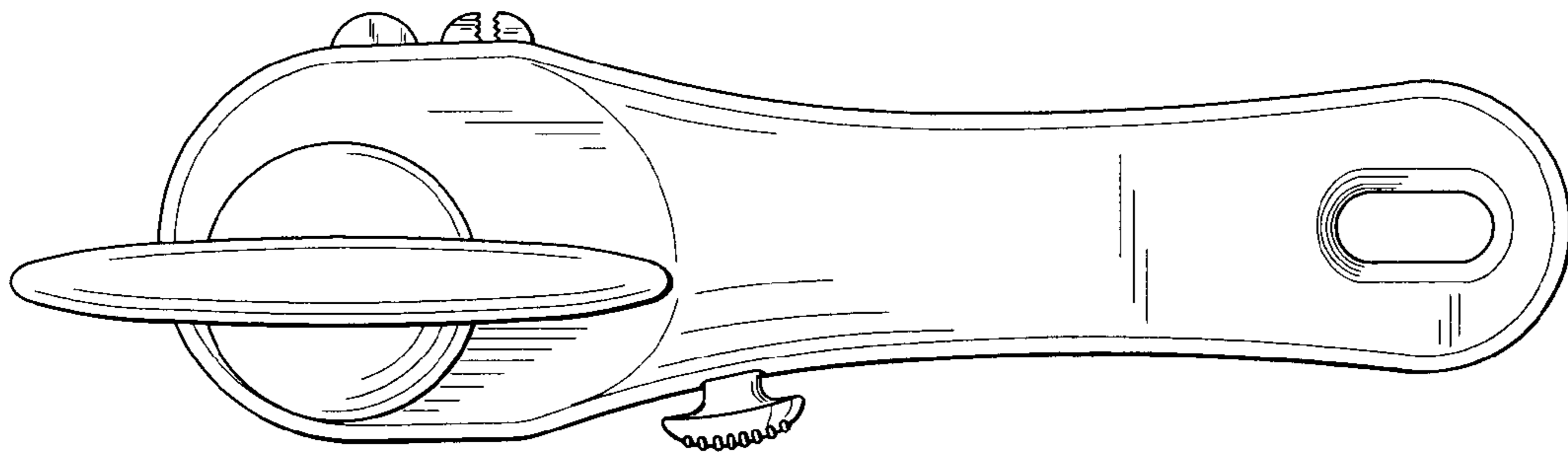


FIG. 2

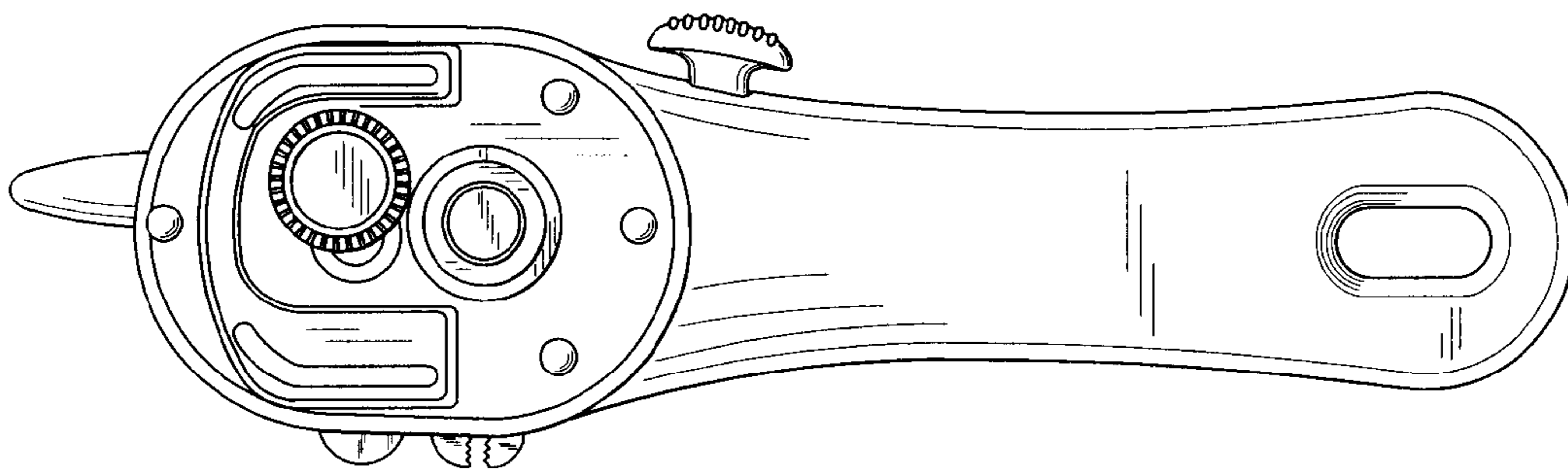


FIG. 3

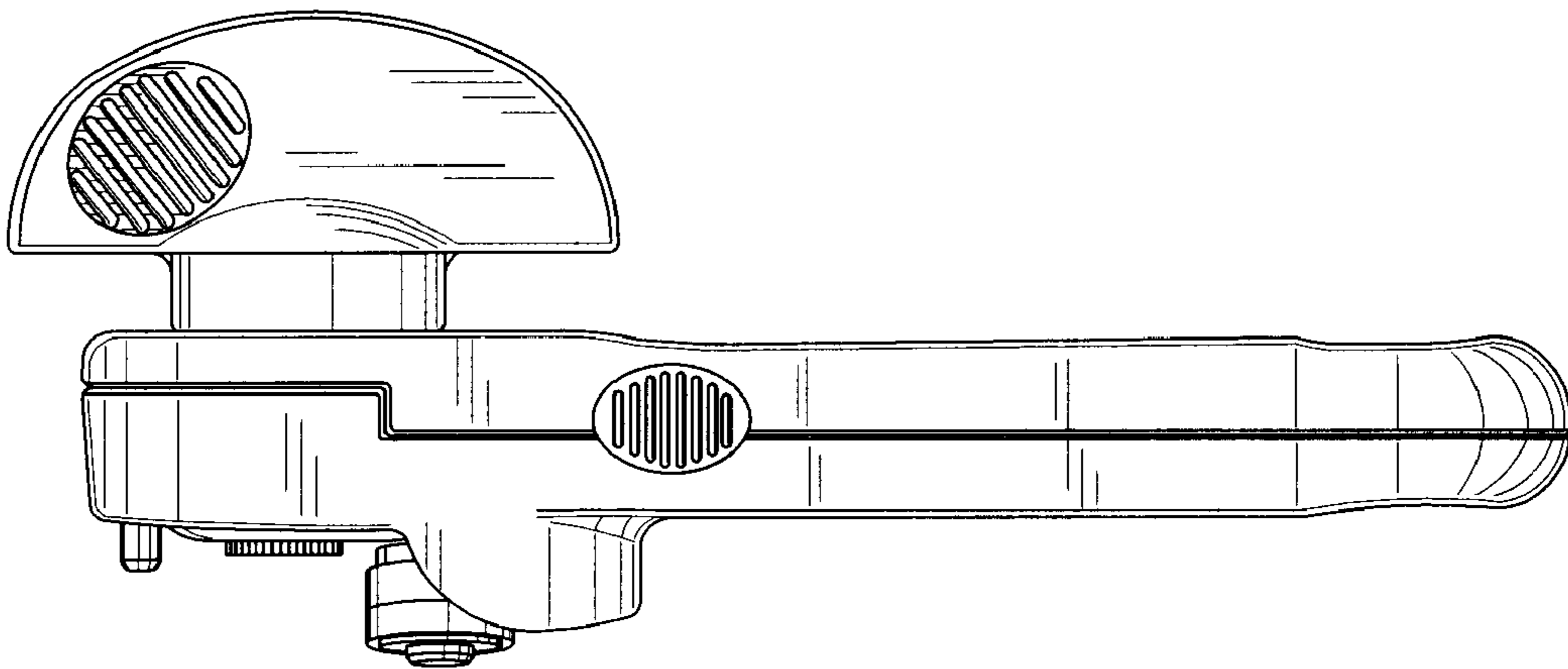


FIG. 4

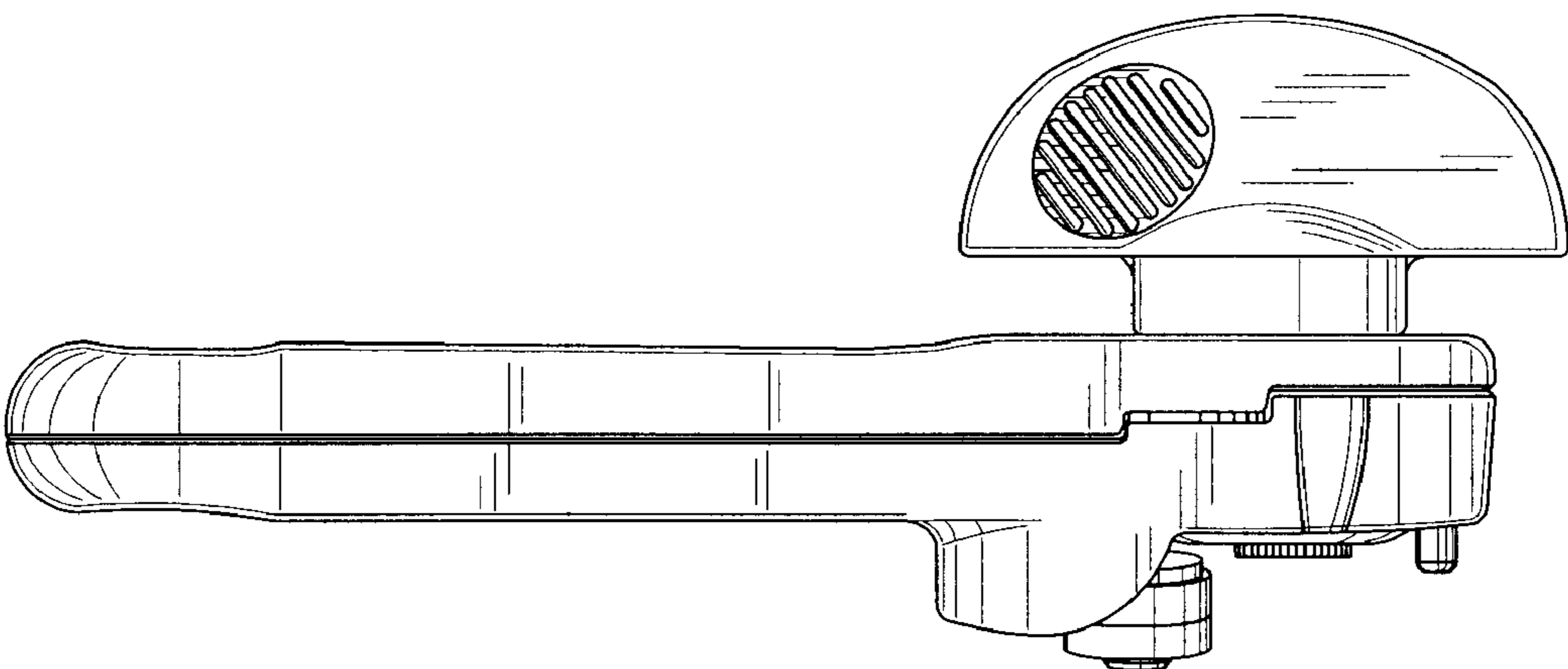


FIG. 5

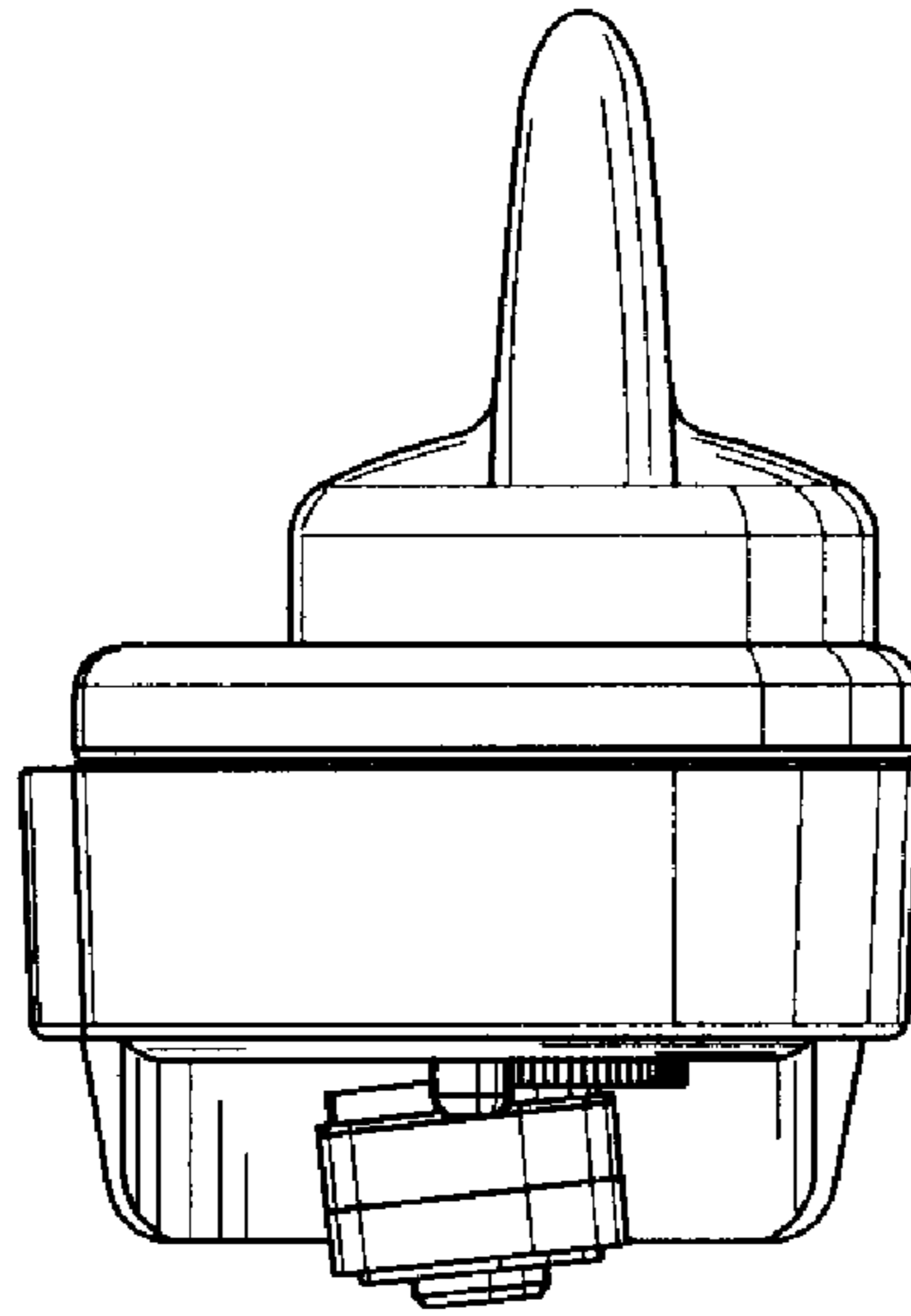


FIG. 6

