



US00D521824S

(12) **United States Design Patent**
Albertson et al.

(10) **Patent No.:** **US D521,824 S**
(45) **Date of Patent:** **** May 30, 2006**

(54) **SOCKET DRIVE ASSEMBLY**

(76) Inventors: **Robert V. Albertson**, 2100 Shadywood Rd., Wayzata, MN (US) 55391; **David V. Albertson**, 2100 Shadywood Rd., Wayzata, MN (US) 55391

(**) Term: **14 Years**

(21) Appl. No.: **29/193,897**

(22) Filed: **Nov. 17, 2003**

(51) **LOC (8) Cl.** **08-05**

(52) **U.S. Cl.** **D8/25**

(58) **Field of Classification Search** D8/21-29,
D8/59-62, 64, 67, 17; 81/119-121.1, 125.1,
81/177.8, 176.1, 186, 177.1, 177.9, 185.1,
81/177.85, 90.1, 176.2, 124.4, 58.2, 59.1,
81/60

See application file for complete search history.

(56) **References Cited**

U.S. PATENT DOCUMENTS

2,003,155 A	5/1935	Pfauser	
D214,776 S	* 7/1969	Schaedler	D8/61
4,004,666 A	1/1977	Hinojosa	
D269,938 S	* 8/1983	Izumisawa	D8/61
D278,407 S	* 4/1985	Fleischer, Jr.	D8/61
D289,135 S	* 4/1987	Doman	D8/61
4,669,339 A	6/1987	Cartwright	
4,722,252 A	2/1988	Fulcher et al.	
4,987,803 A	1/1991	Chern	
D380,949 S	* 7/1997	Sung	D8/61
D389,025 S	* 1/1998	Sung	D8/61
5,941,140 A	8/1999	Suksi	

6,067,881 A	5/2000	Albertson	
6,112,624 A	9/2000	Chen	
D449,212 S	* 10/2001	Price et al.	D8/107
6,298,753 B1	10/2001	Izumisawa	
6,435,060 B1	8/2002	Izumisawa	
D468,174 S	* 1/2003	Morgan	D8/61
D468,607 S	* 1/2003	Price et al.	D8/61
6,516,688 B1	2/2003	Albertson	
6,640,669 B1	11/2003	Izumisawa	
D484,016 S	* 12/2003	Baker	D8/61
2002/0184975 A1	12/2002	Ono et al.	
2003/0024715 A1	2/2003	Izumisawa	

OTHER PUBLICATIONS

Google catalogs, enco cat. 2003 p. 67.*
Google catalogs, A&I supply cat. p. 18.*

* cited by examiner

Primary Examiner—Raphael Barkai
Assistant Examiner—Randall H. Gholson

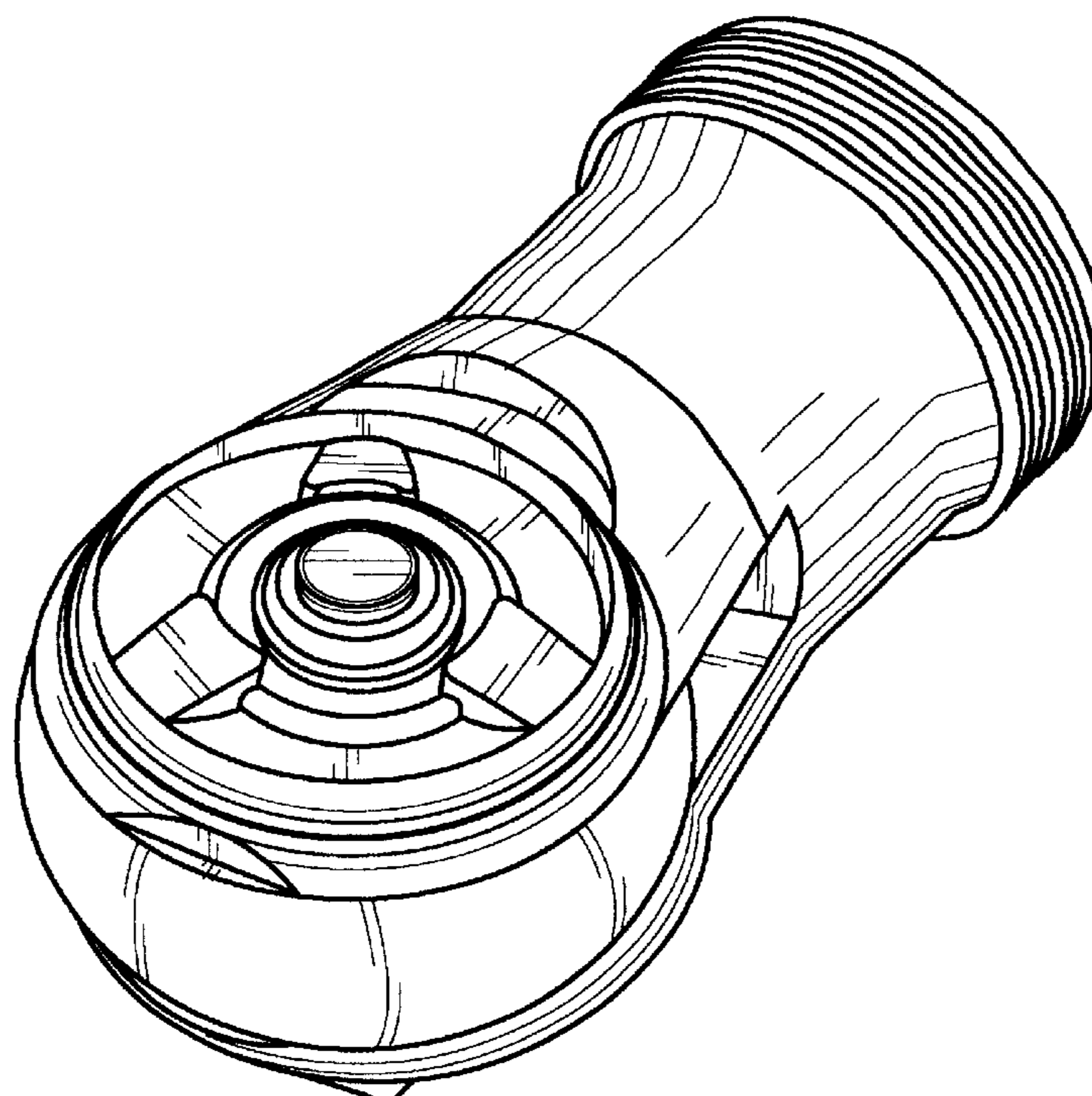
(57) **CLAIM**

The ornamental design for a socket drive assembly, as shown and described.

DESCRIPTION

FIG. 1 is a perspective view of a socket drive assembly showing our new design;
FIG. 2 is a top plan view thereof;
FIG. 3 is a bottom plan view thereof;
FIG. 4 is a side view of the right side thereof;
FIG. 5 is a side view of the left side thereof;
FIG. 6 is a front elevational view thereof; and,
FIG. 7 is a rear elevational view thereof.

1 Claim, 4 Drawing Sheets



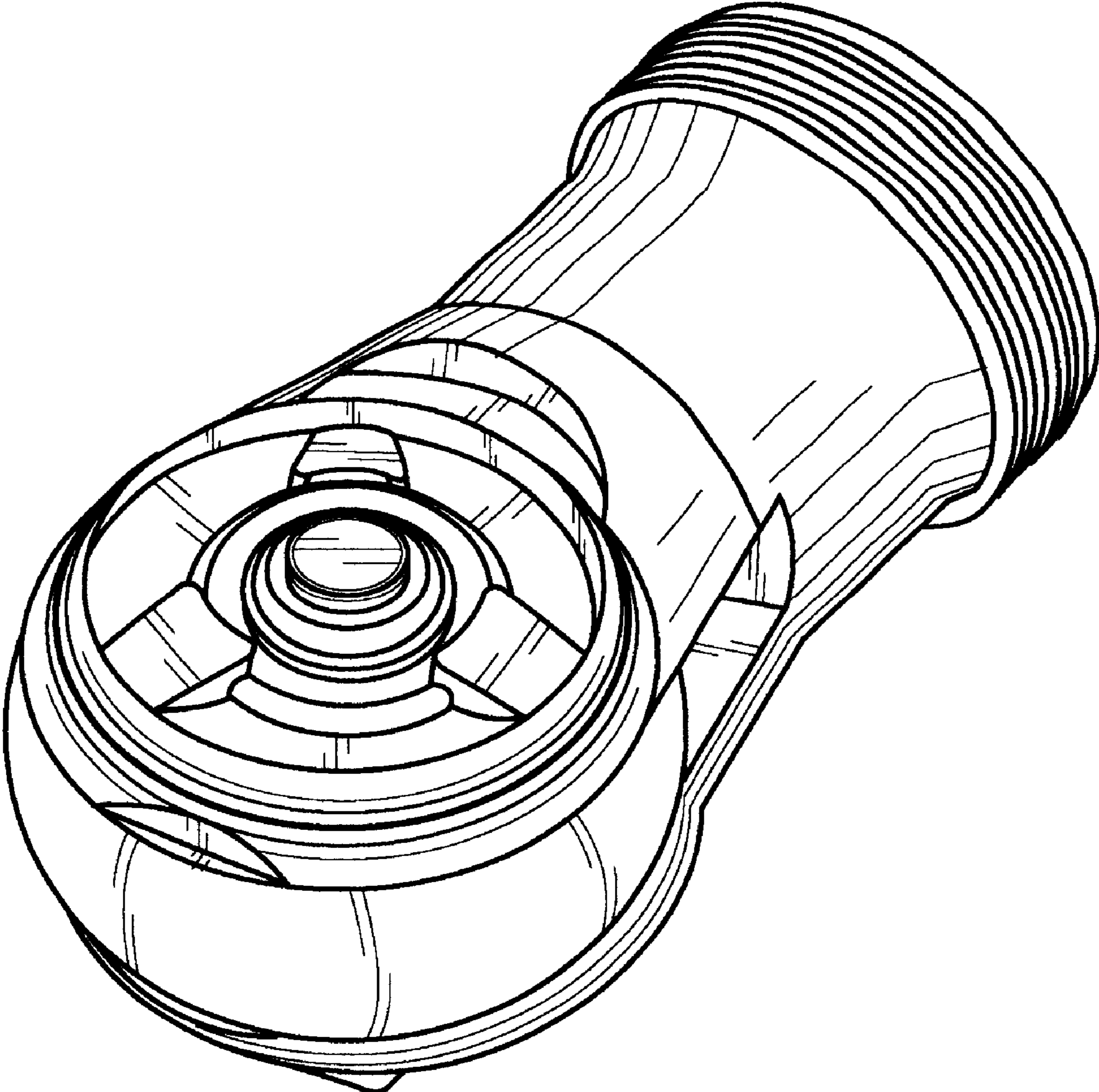


FIG. 1

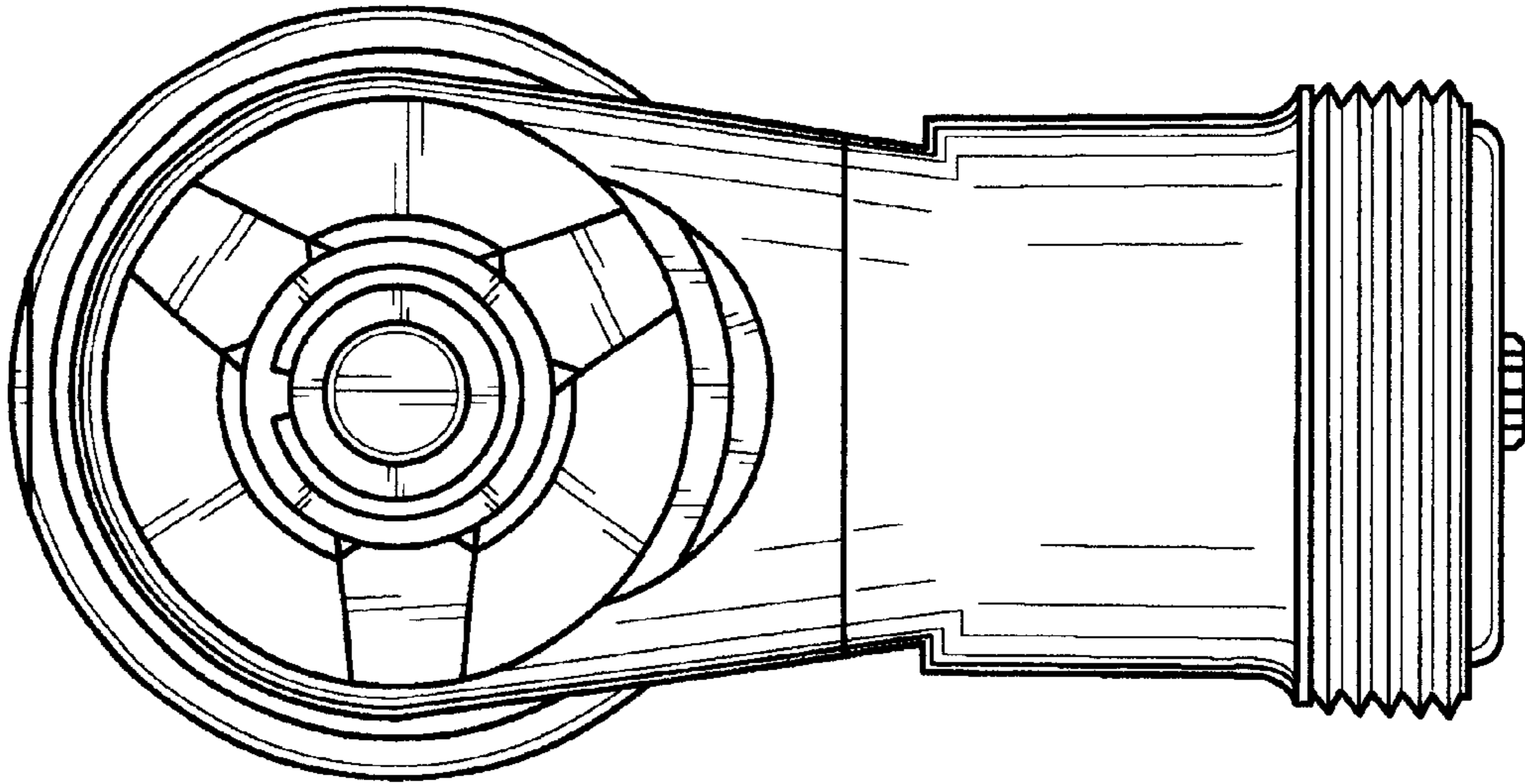


FIG. 2

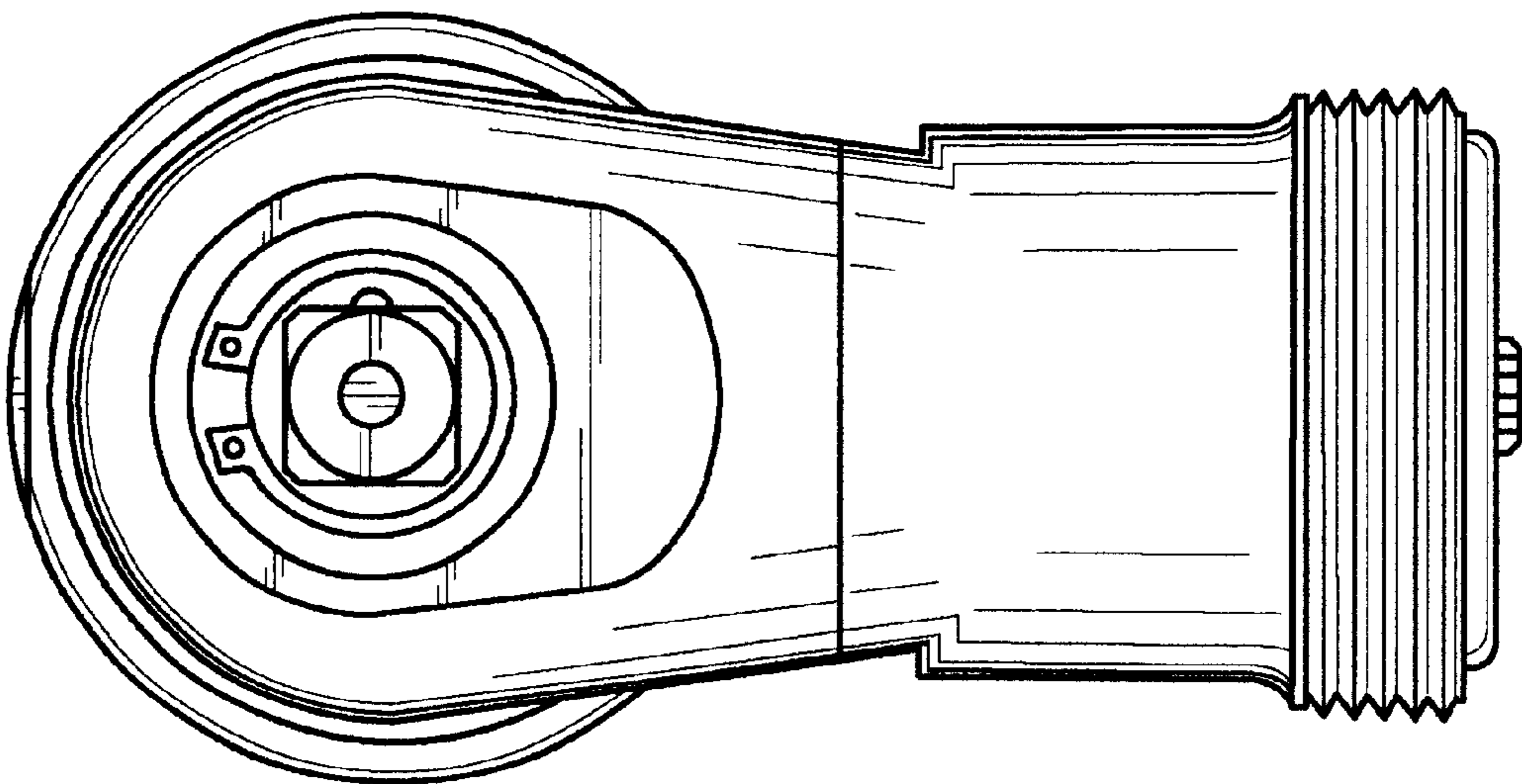


FIG. 3

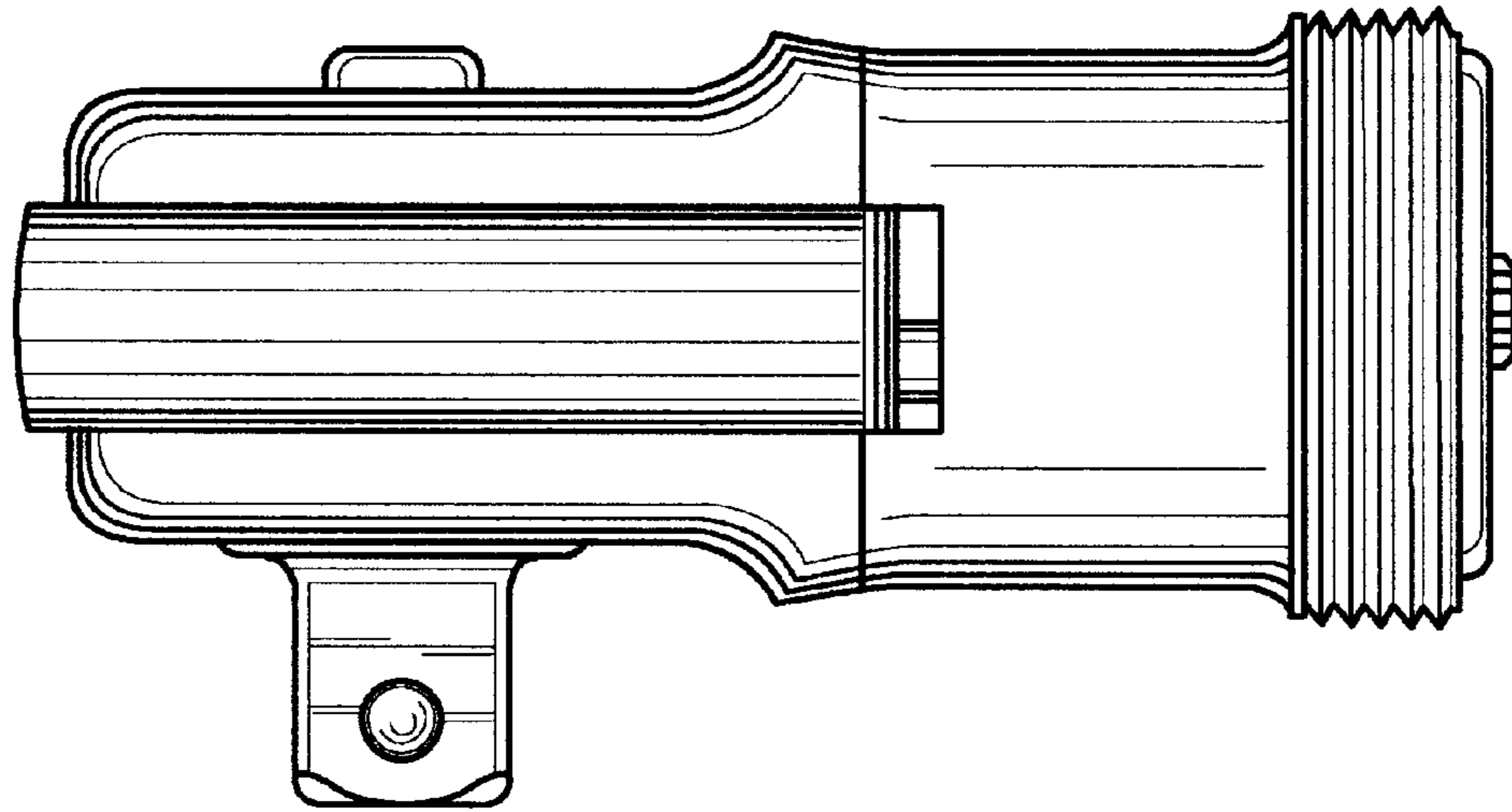


FIG. 4

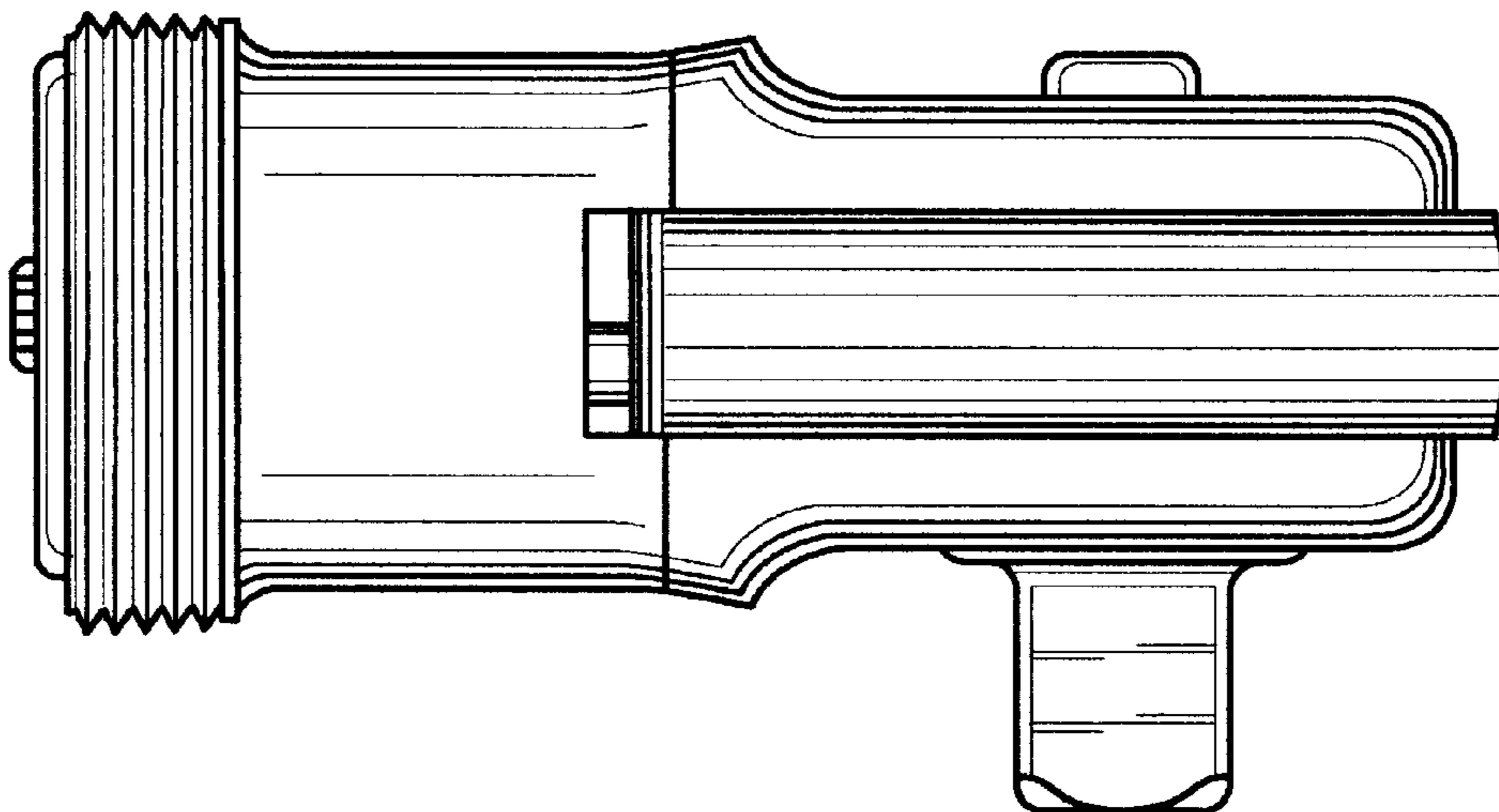


FIG. 5

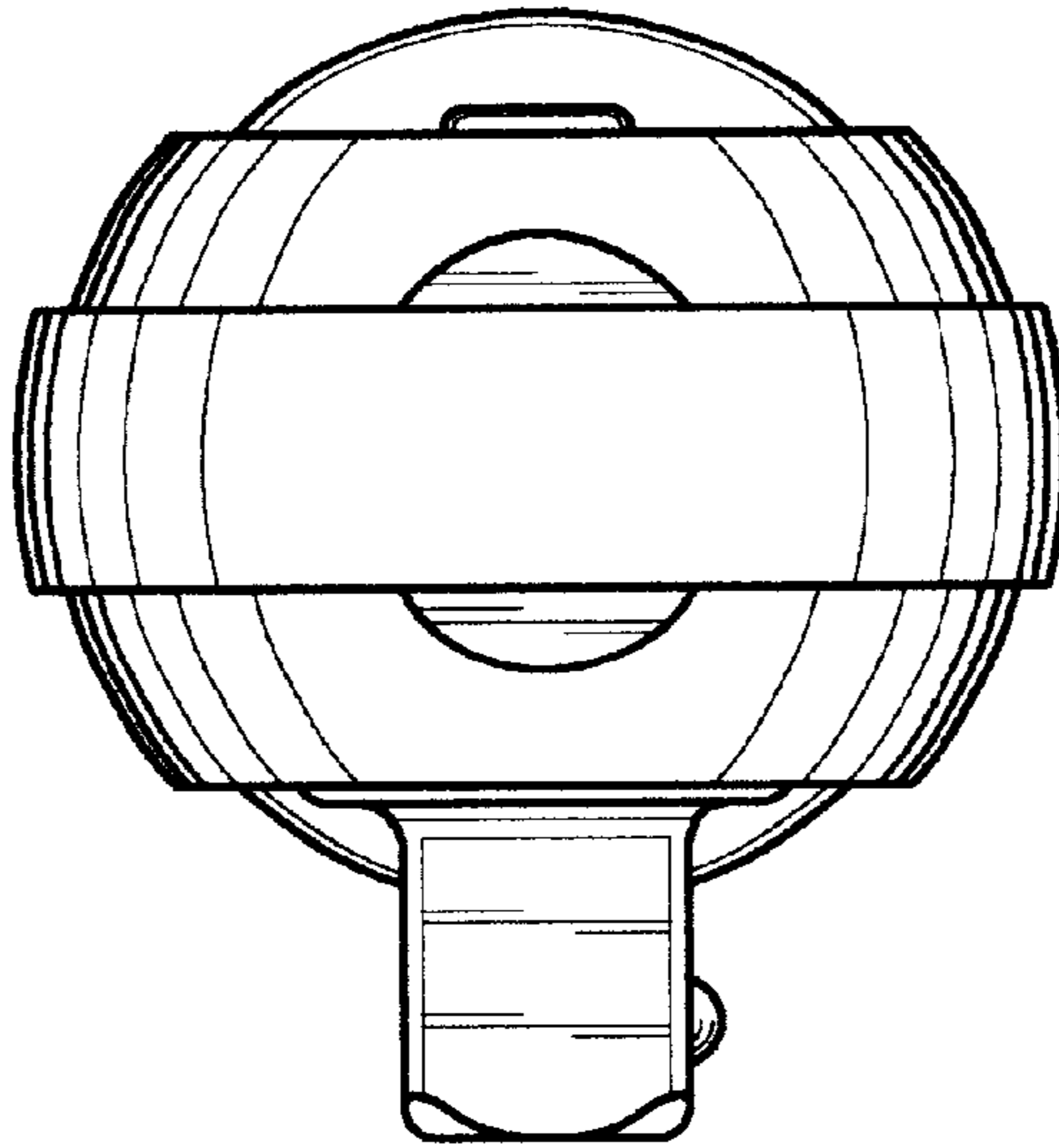


FIG. 6

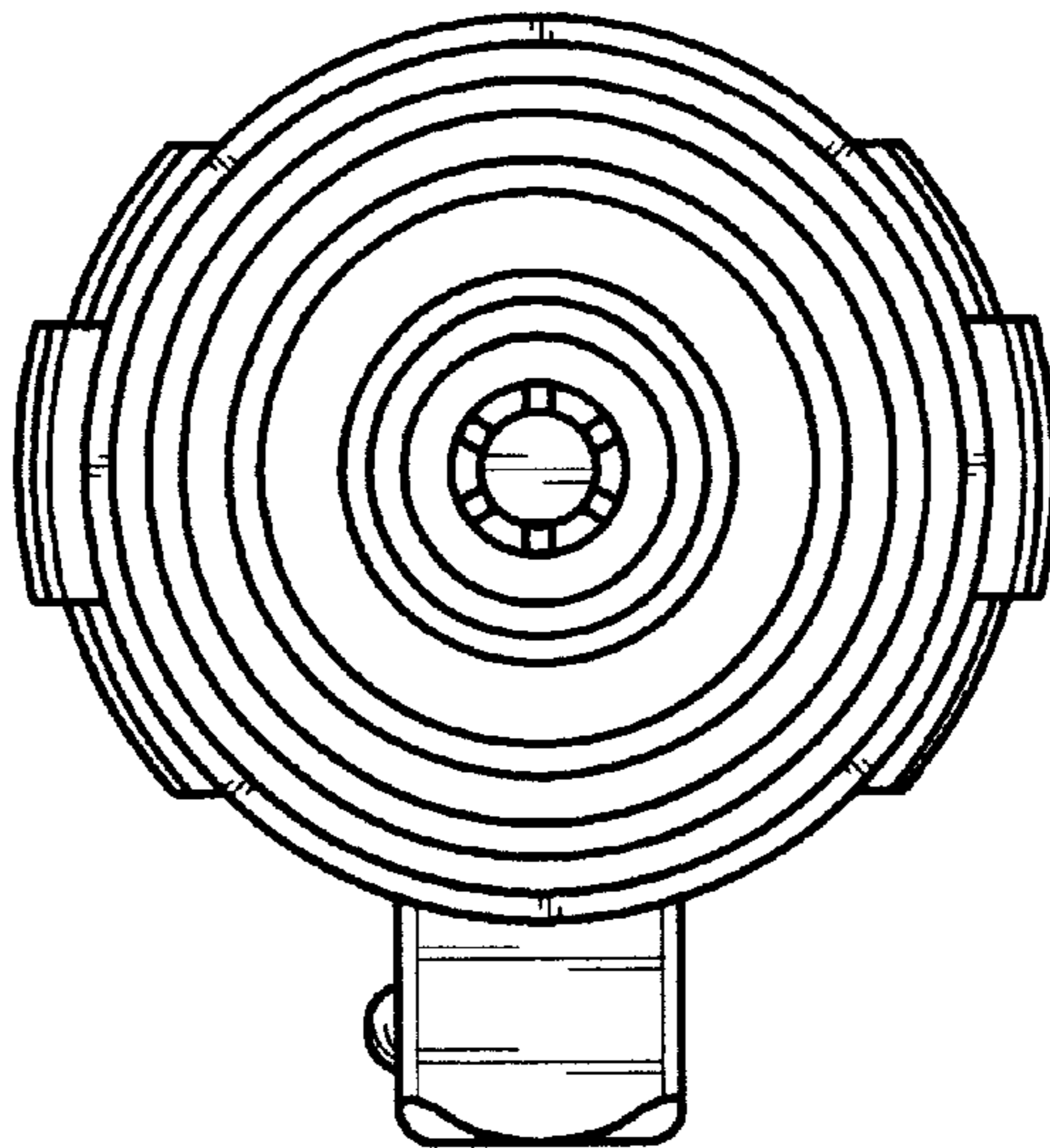


FIG. 7