



US00D521820S

(12) **United States Design Patent**
Kujawski et al.

(10) **Patent No.:** **US D521,820 S**

(45) **Date of Patent:** **** May 30, 2006**

(54) **MEAT TENDERIZER**

(75) Inventors: **Stanley M. Kujawski**, East Aurora, NY (US); **Eric J. Wangler**, 4447 Freeman Rd., Orchard Park, NY (US) 14127; **Bradley Caldwell**, Westport, NY (US)

(73) Assignees: **Eric J. Wangler**, Mendon, NY (US); **Mary P. Crowley-Wangler**, Mendon, NY (US)

(**) Term: **14 Years**

3,900,918 A	8/1975	Allinquant et al.
4,169,300 A	10/1979	McCullough
4,199,841 A	4/1980	Jaccard
4,462,139 A	7/1984	Hubbard et al.
4,463,476 A	8/1984	Jaccard
D276,685 S	* 12/1984	Jaccard D7/682
4,865,258 A	9/1989	Smith et al.
4,870,717 A	10/1989	Hirano
5,085,614 A	2/1992	Bourret
5,336,125 A	8/1994	Despointes
6,120,368 A	9/2000	Ter-Minassian
6,601,499 B1	8/2003	Bifulco

FOREIGN PATENT DOCUMENTS

(21) Appl. No.: **29/227,991**

(22) Filed: **Apr. 19, 2005**

CA	2077730	3/1993
DE	19737085	3/1999
EP	0534516	3/1993

Related U.S. Application Data

(63) Continuation-in-part of application No. 10/706,781, filed on Nov. 12, 2003, now Pat. No. 6,948,670.

(51) **LOC (8) Cl.** **07-04**

(52) **U.S. Cl.** **D7/682**

(58) **Field of Classification Search** D7/682;
241/168, 169, 169.1, 169.2, 285.1; 452/102,
452/141, 145-147

See application file for complete search history.

(56) **References Cited**

U.S. PATENT DOCUMENTS

D25,841 S	*	7/1896	Bonte	D7/682
D43,064 S	*	9/1912	Sterreter	D7/682
2,253,123 A		8/1941	Hart		
3,611,476 A		10/1971	Clifton		
3,661,072 A		5/1972	Allinquant et al.		
D229,274 S	*	11/1973	Michel et al.	D7/682
3,869,755 A		3/1975	Stauf		

* cited by examiner

Primary Examiner—Terry A. Wallace

(74) *Attorney, Agent, or Firm*—John C. McMahon

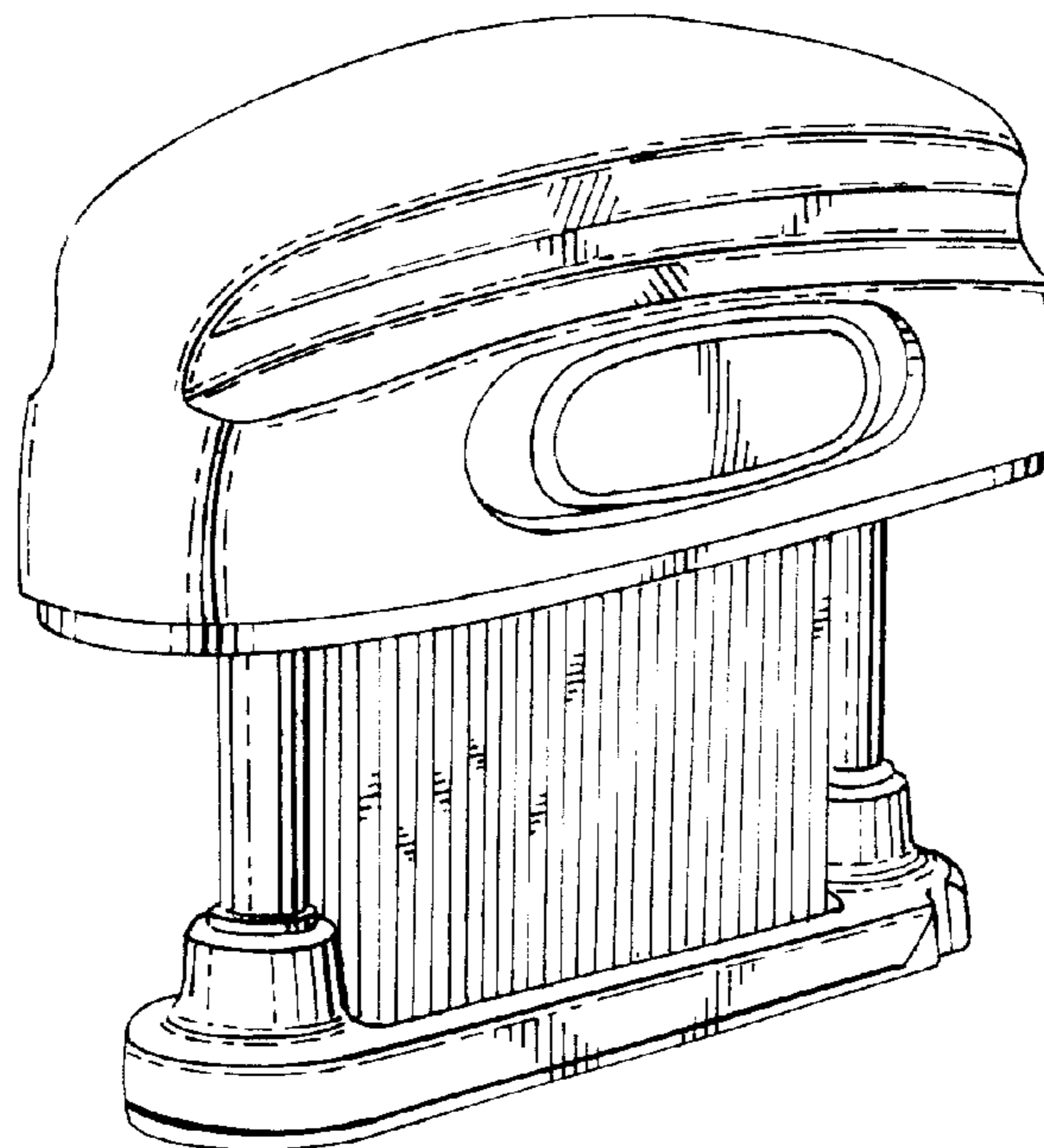
(57) **CLAIM**

The ornamental design for a meat tenderizer, as shown and described.

DESCRIPTION

FIG. 1 is a perspective view of a meat tenderizer in accordance with the present invention;
FIG. 2 is a top plan view thereof;
FIG. 3 is a front elevational view thereof;
FIG. 4 is a rear elevational view thereof;
FIG. 5 is a bottom plan view thereof;
FIG. 6 is a first end elevational view thereof; and,
FIG. 7 is a second end elevational view thereof.

1 Claim, 2 Drawing Sheets



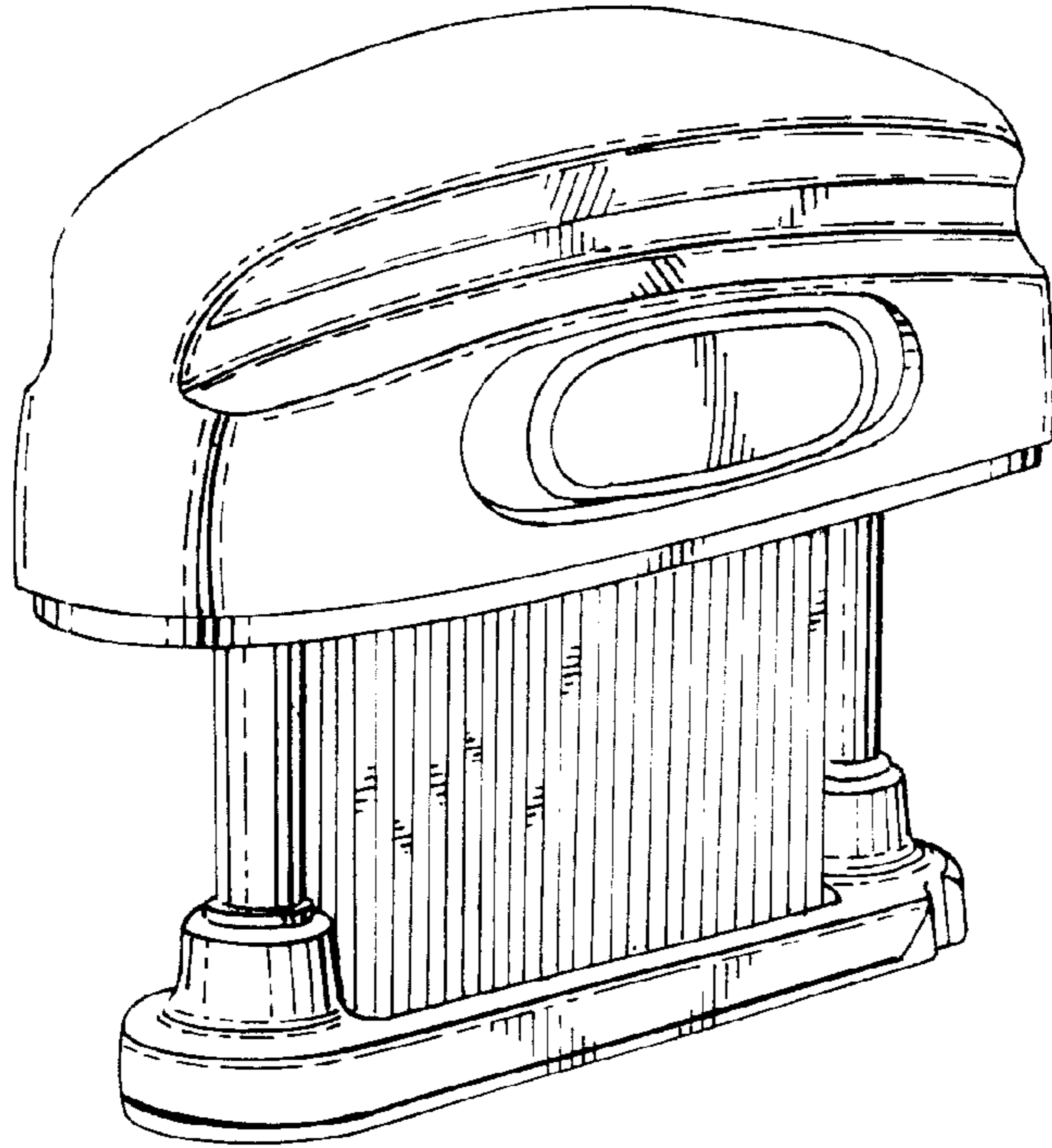


Fig. 1.

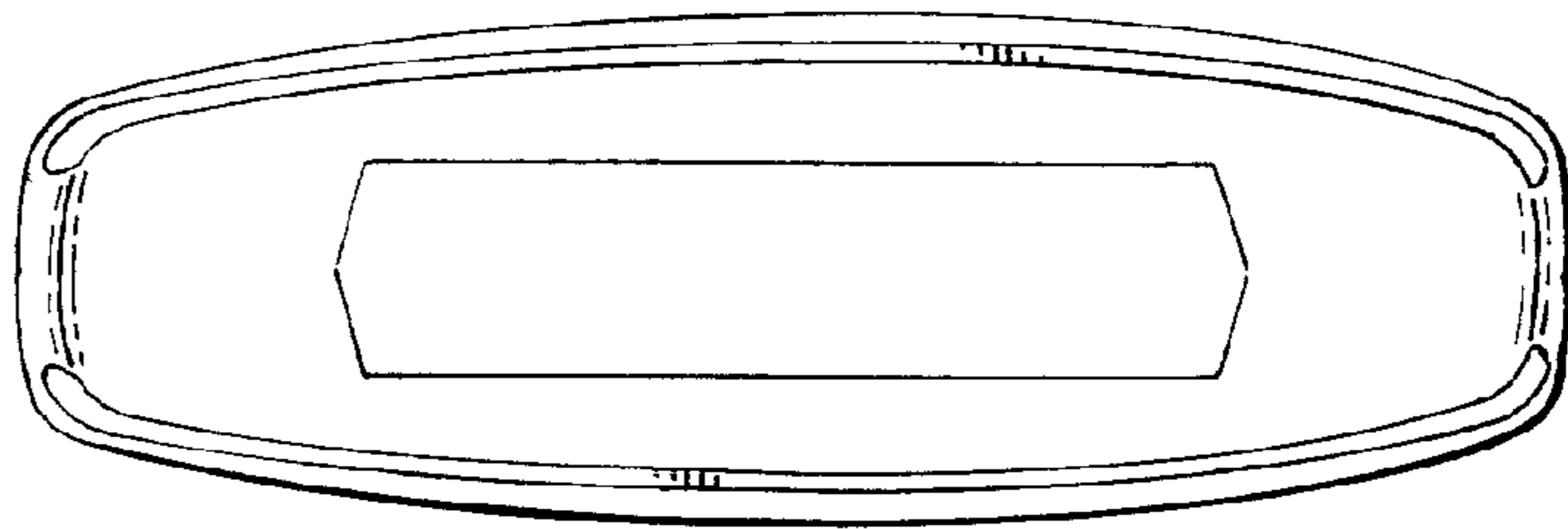


Fig. 2.

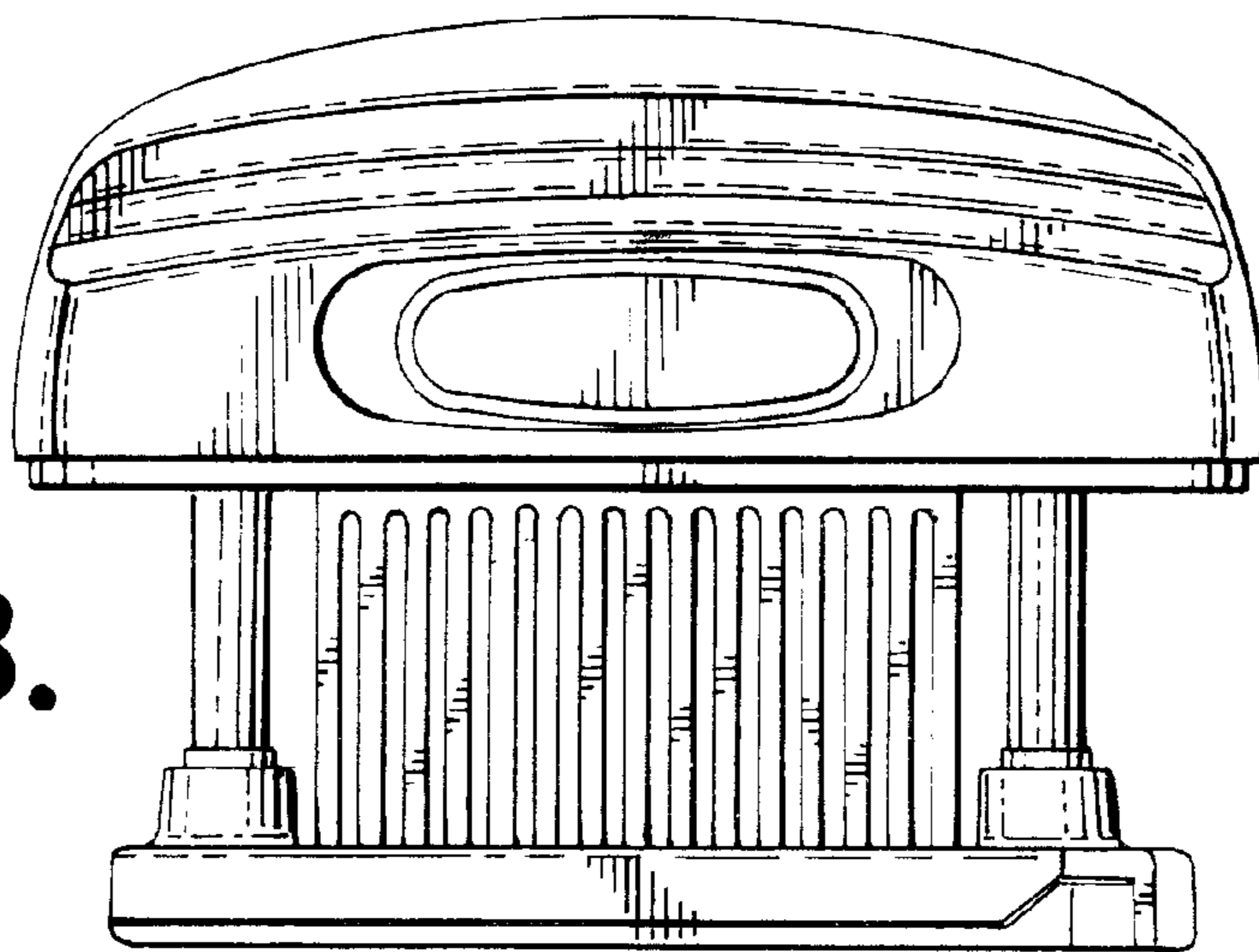


Fig. 3.

Fig. 4.

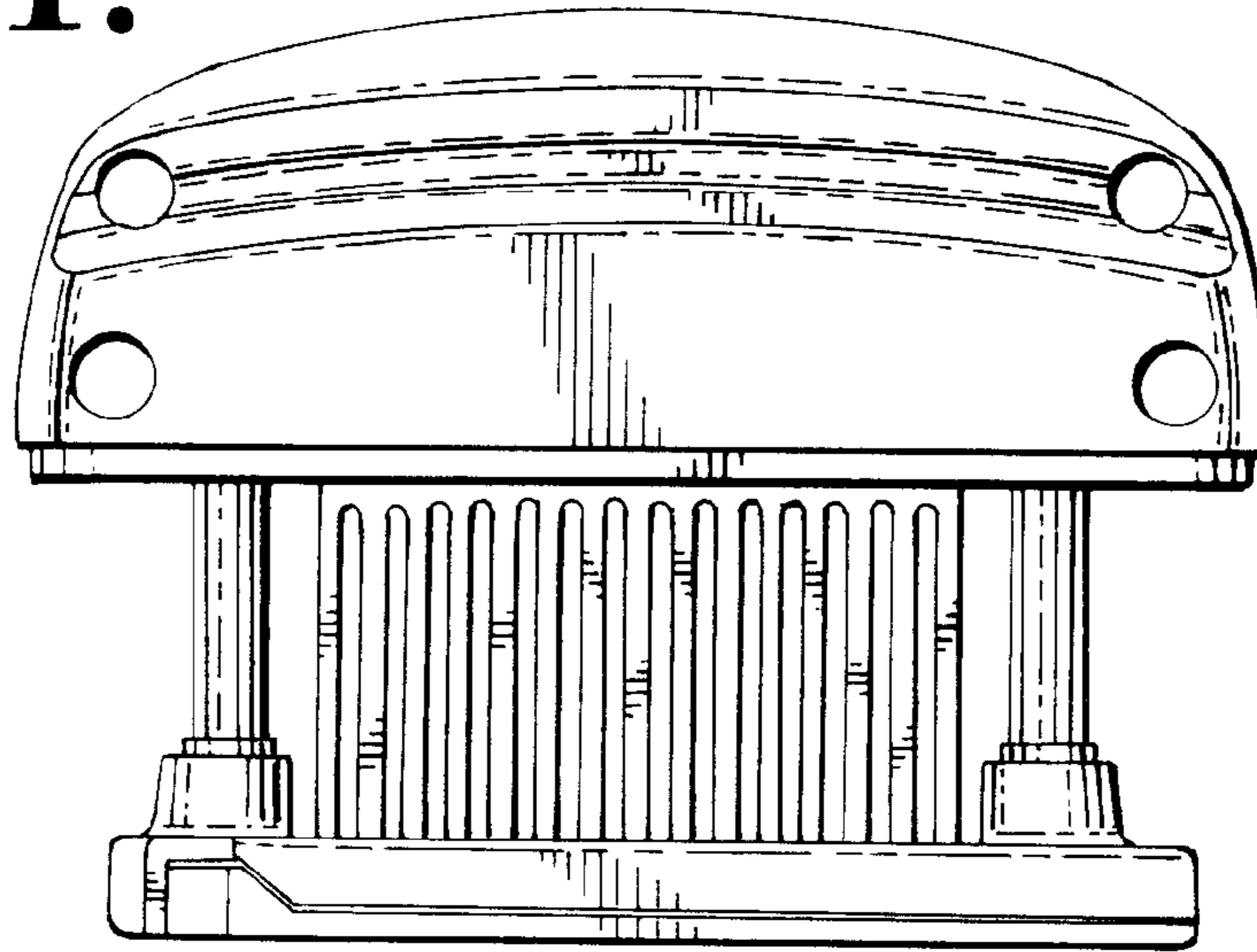


Fig. 5.

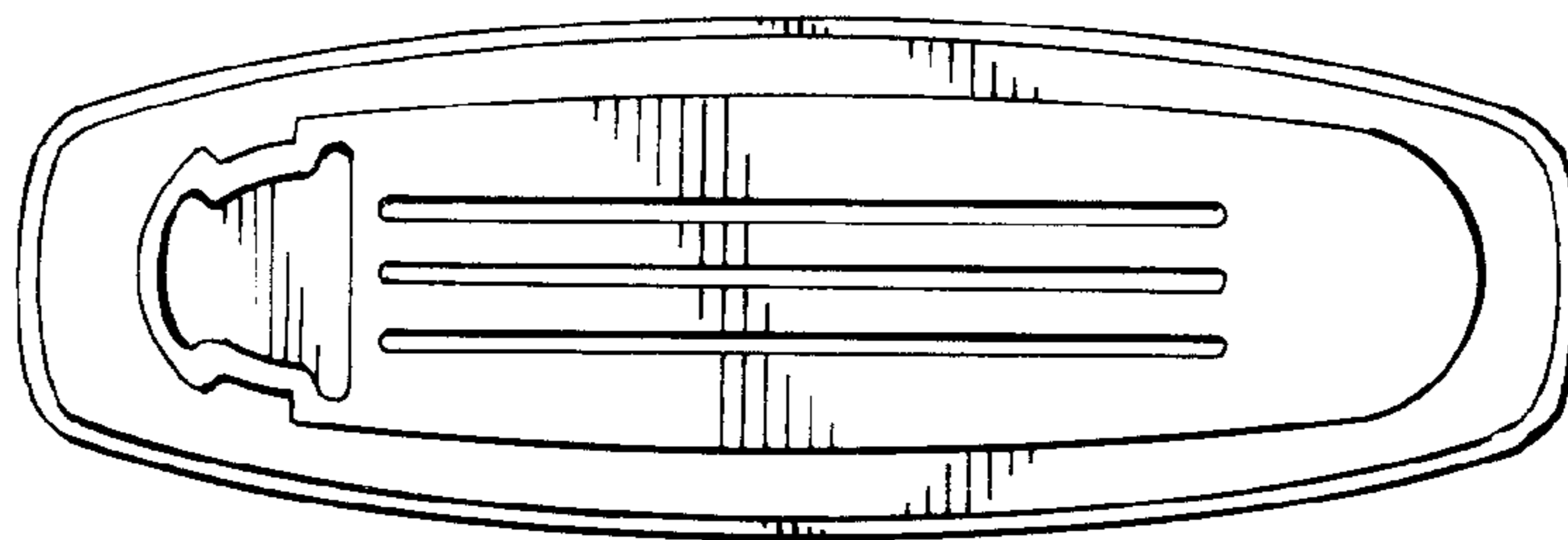


Fig. 6.

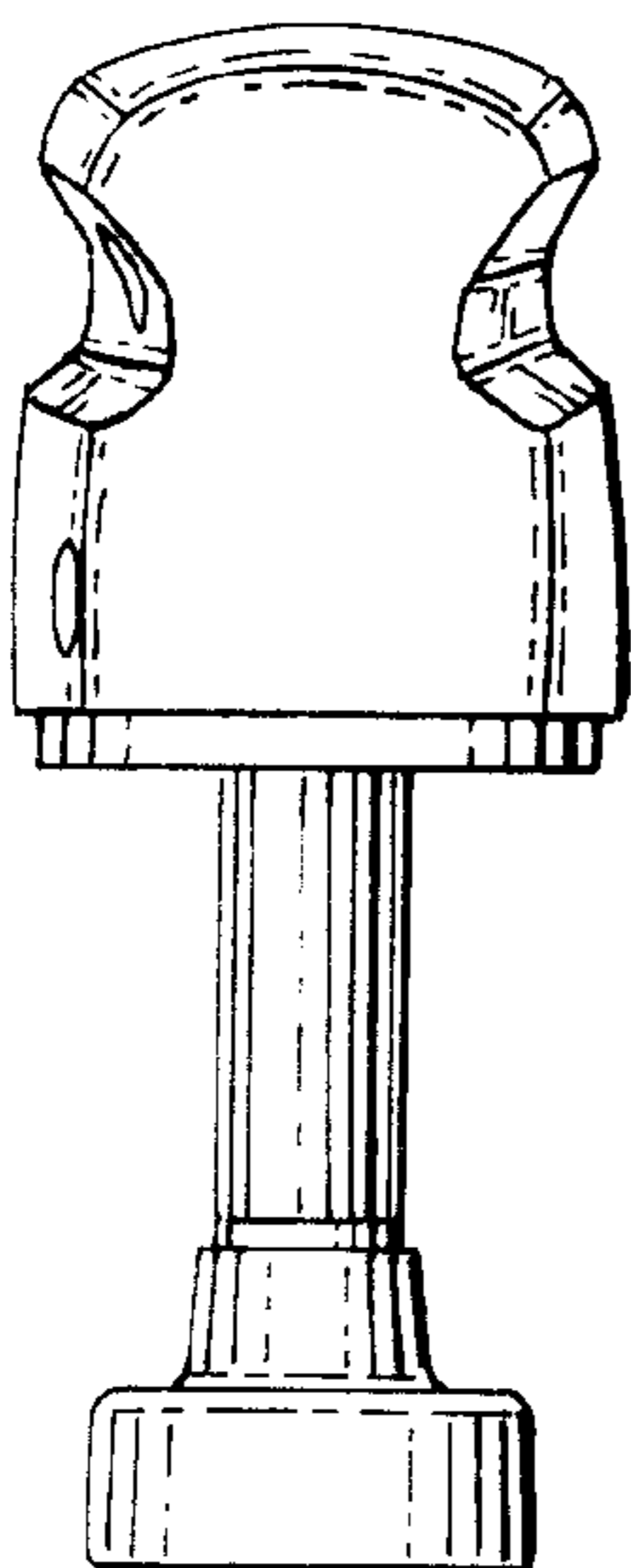


Fig. 7.

