

US00D521819S

(12) **United States Design Patent**  
**So et al.**

(10) **Patent No.: US D521,819 S**

(45) **Date of Patent: \*\* May 30, 2006**

(54) **FOOD CUTTER**

(75) Inventors: **Kwok Kuen So**, Hong Kong (CN);  
**Sascha Kaposi**, Kent, WA (US)

(73) Assignee: **Progressive International Corporation**, Kent, WA (US)

(\*\*) Term: **14 Years**

(21) Appl. No.: **29/222,630**

(22) Filed: **Feb. 2, 2005**

(51) **LOC (8) Cl.** ..... **07-04**

(52) **U.S. Cl.** ..... **D7/673**

(58) **Field of Classification Search** ..... D7/672,  
D7/673, 693, 695; 30/114, 117, 130, 299,  
30/302, 303, 312; 99/544, 554

See application file for complete search history.

(56) **References Cited**

U.S. PATENT DOCUMENTS

2,824,588 A \* 2/1958 Lyon et al. .... 30/114  
3,060,838 A \* 10/1962 Priore ..... 30/114

D246,411 S \* 11/1977 Blanchard ..... D7/673  
5,337,480 A \* 8/1994 Codikow ..... 30/114  
D415,937 S \* 11/1999 Robinson ..... D7/673  
D432,874 S \* 10/2000 Kari ..... D7/673

\* cited by examiner

*Primary Examiner*—Terry A. Wallace

(74) *Attorney, Agent, or Firm*—Alix, Yale & Ristas, LLP

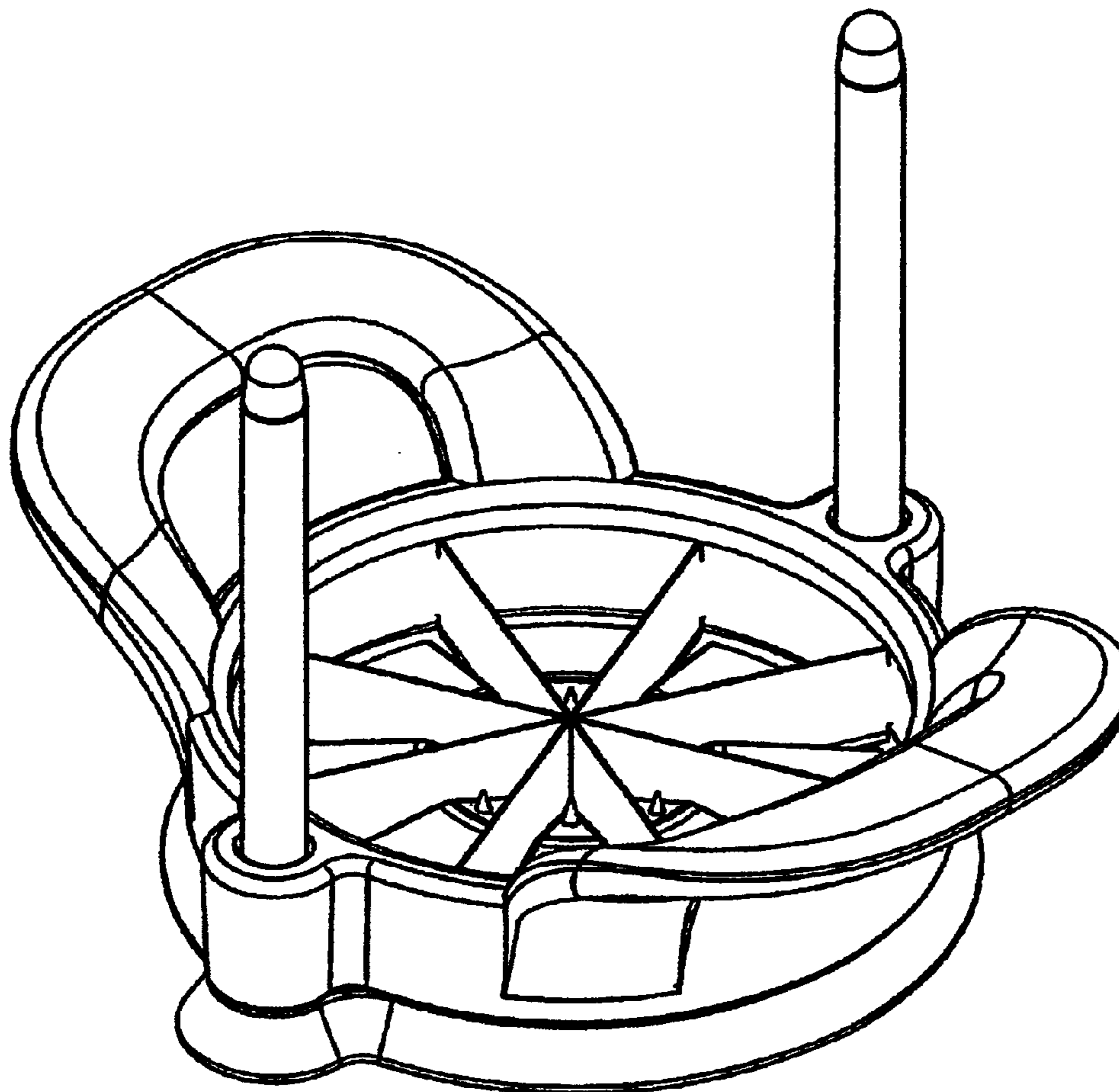
(57) **CLAIM**

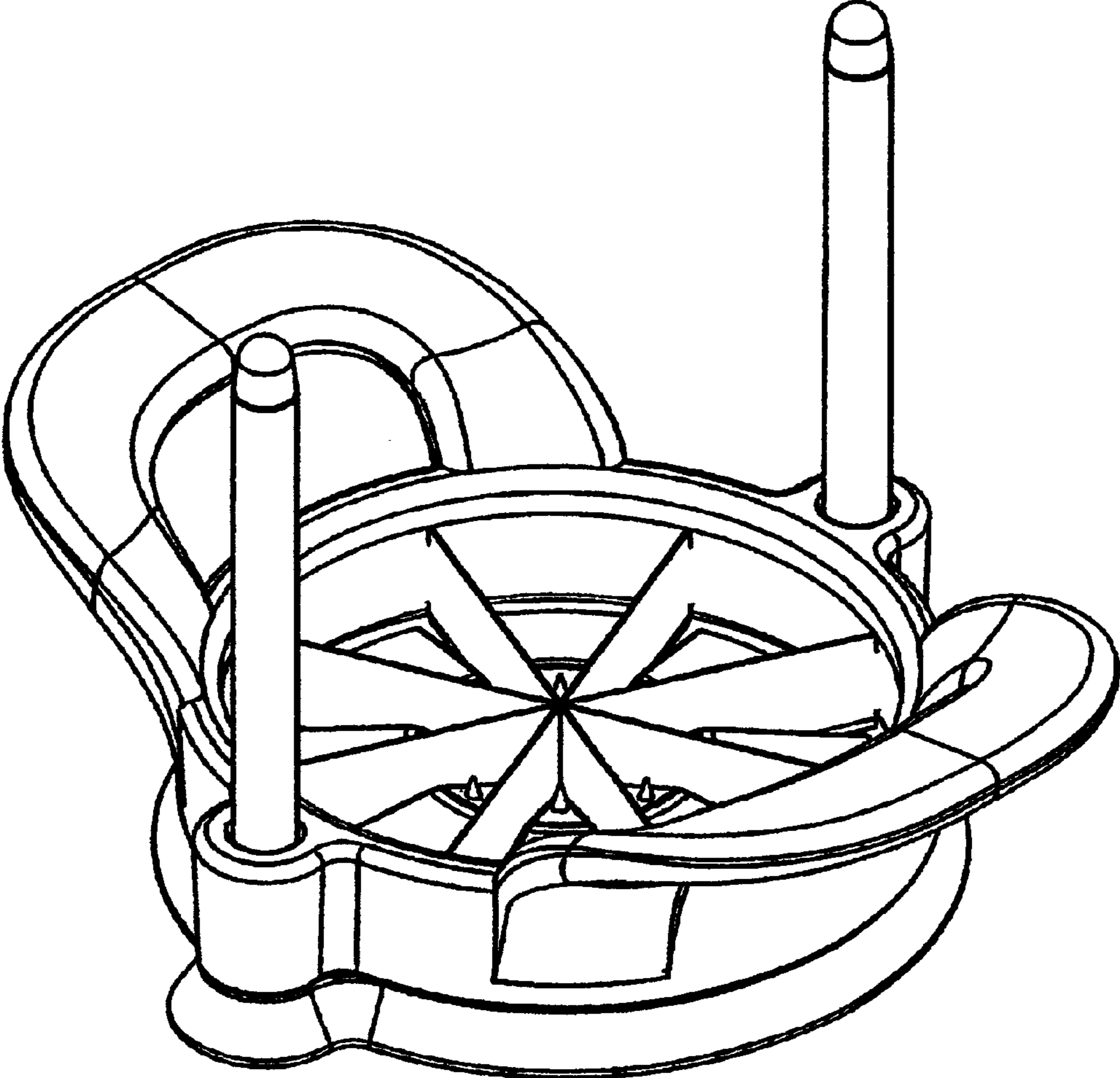
The ornamental design for a food cutter, as shown and described.

**DESCRIPTION**

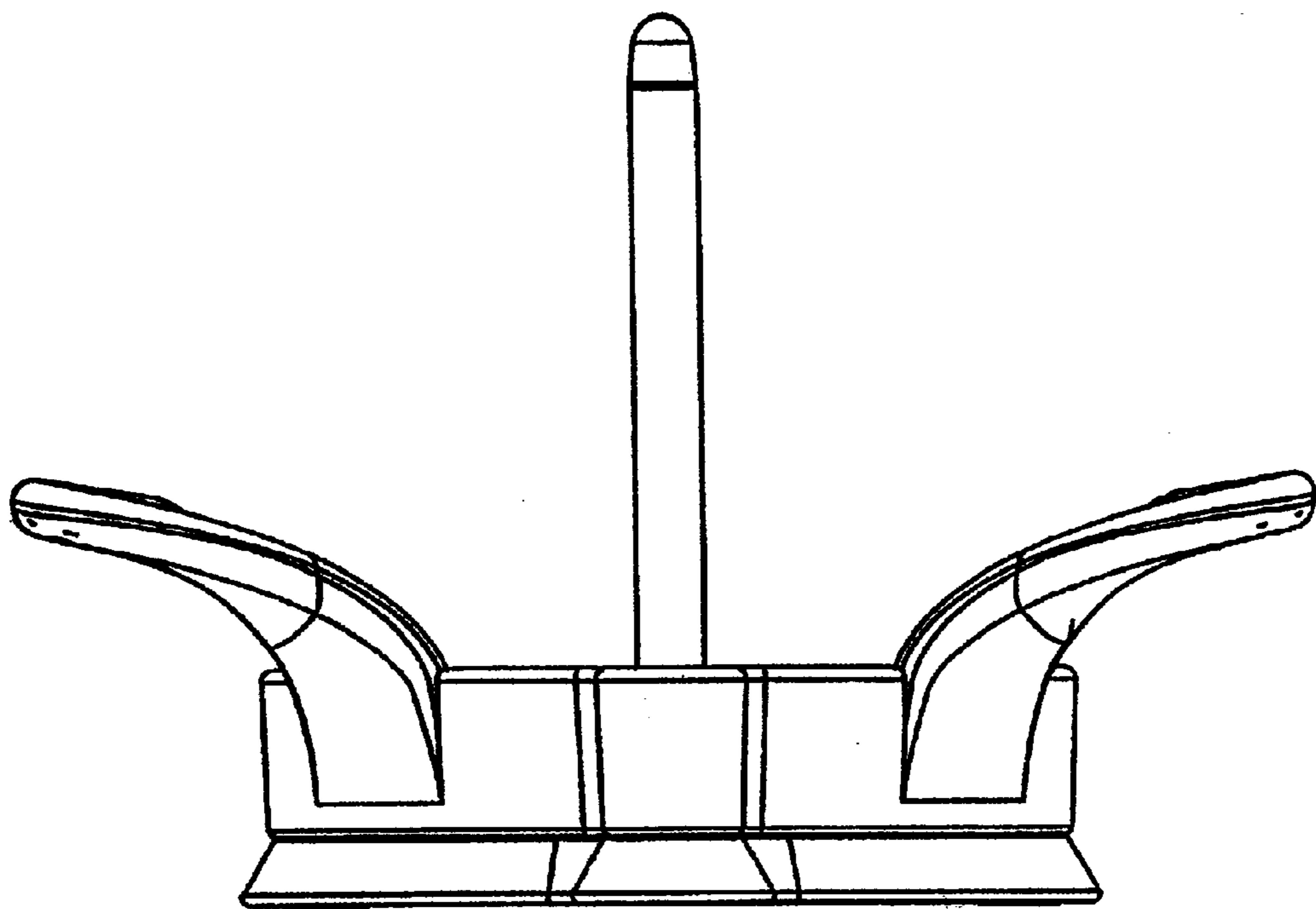
FIG. 1 is a front, right side and top perspective view of a food cutter showing my new design; FIG. 2 is a front side elevational view, the opposite side being the same thereof; FIG. 3 is a right side elevational view, the opposite side being the same thereof; FIG. 4 is a top plan view thereof; and, FIG. 5 is a bottom plan view thereof.

**1 Claim, 3 Drawing Sheets**

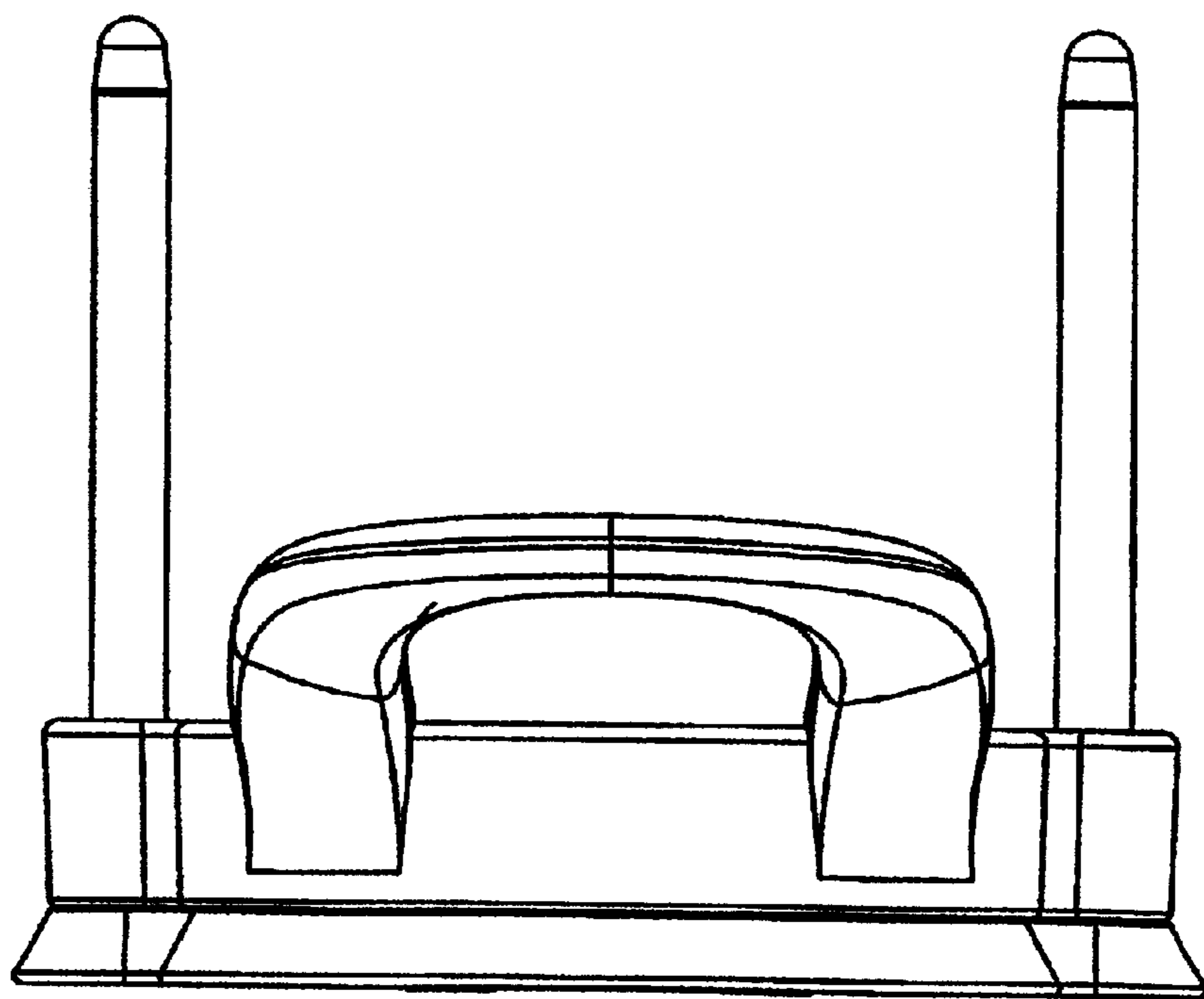




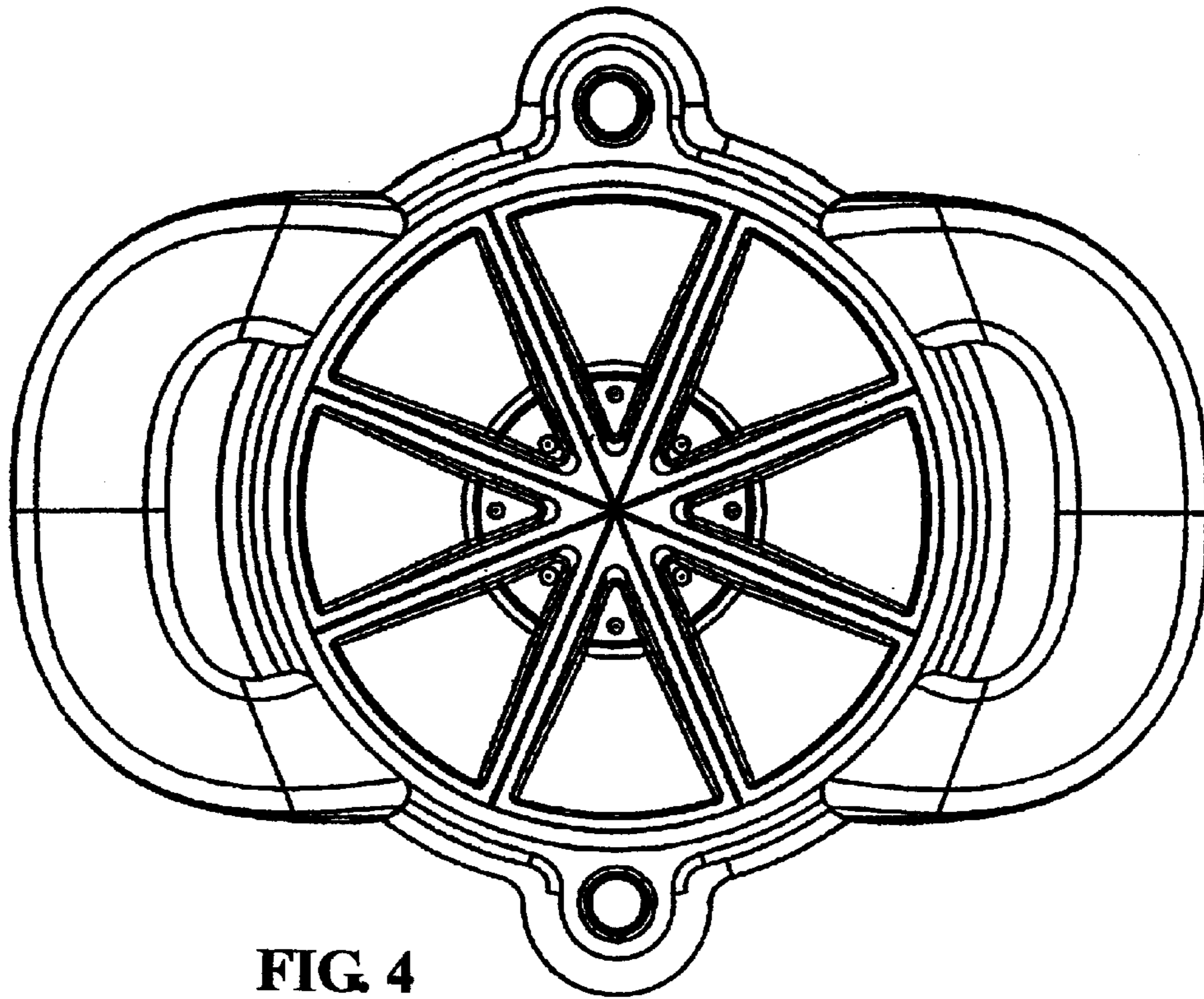
**FIG. 1**



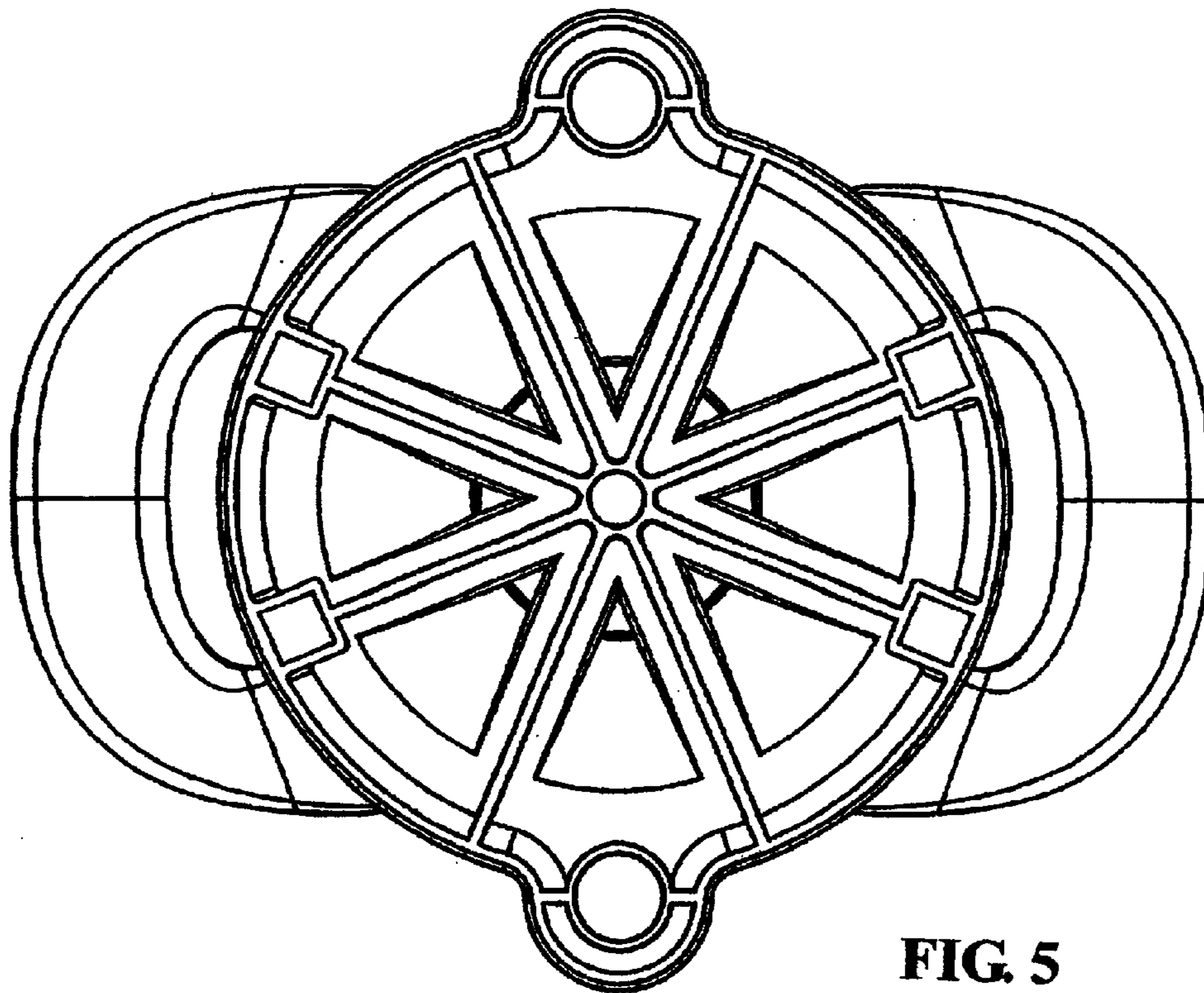
**FIG. 2**



**FIG. 3**



**FIG. 4**



**FIG. 5**