



US00D521816S

(12) **United States Design Patent**  
**So**

(10) **Patent No.:** **US D521,816 S**

(45) **Date of Patent:** **\*\* May 30, 2006**

(54) **FOOD MASHER**

(76) **Inventor:** **Kwok Kuen So**, 2<sup>nd</sup> Floor, Chuan Yuan  
Factory Building, 342-344 Kwun Tong  
Road, Kwun Tong, Kowloon, Kong  
Kong SAR (CN)

(\*\*) **Term:** **14 Years**

(21) **Appl. No.:** **29/226,888**

(22) **Filed:** **Apr. 4, 2005**

(30) **Foreign Application Priority Data**

Oct. 22, 2004 (EM) ..... 000243134

(51) **LOC (8) Cl.** ..... **07-04**

(52) **U.S. Cl.** ..... **D7/665**

(58) **Field of Classification Search** ..... D7/665,  
D7/666, 680; 99/495, 506-511; 100/99, 112,  
100/125, 234, 116, 243; 241/167, 169.1,  
241/169.2, 95, 273.3

See application file for complete search history.

(56) **References Cited**

**U.S. PATENT DOCUMENTS**

283,014 A \* 8/1883 Newman ..... 100/116

336,672 A \* 2/1886 Sturla ..... 100/125  
713,034 A \* 11/1902 White ..... 100/125  
952,519 A \* 3/1910 Gilchrist ..... 100/234  
4,794,854 A \* 1/1989 Swaim ..... 100/112  
6,196,122 B1 \* 3/2001 Lai ..... 99/495

\* cited by examiner

*Primary Examiner*—Terry A. Wallace

(74) *Attorney, Agent, or Firm*—Alix, Yale & Ristas, LLP

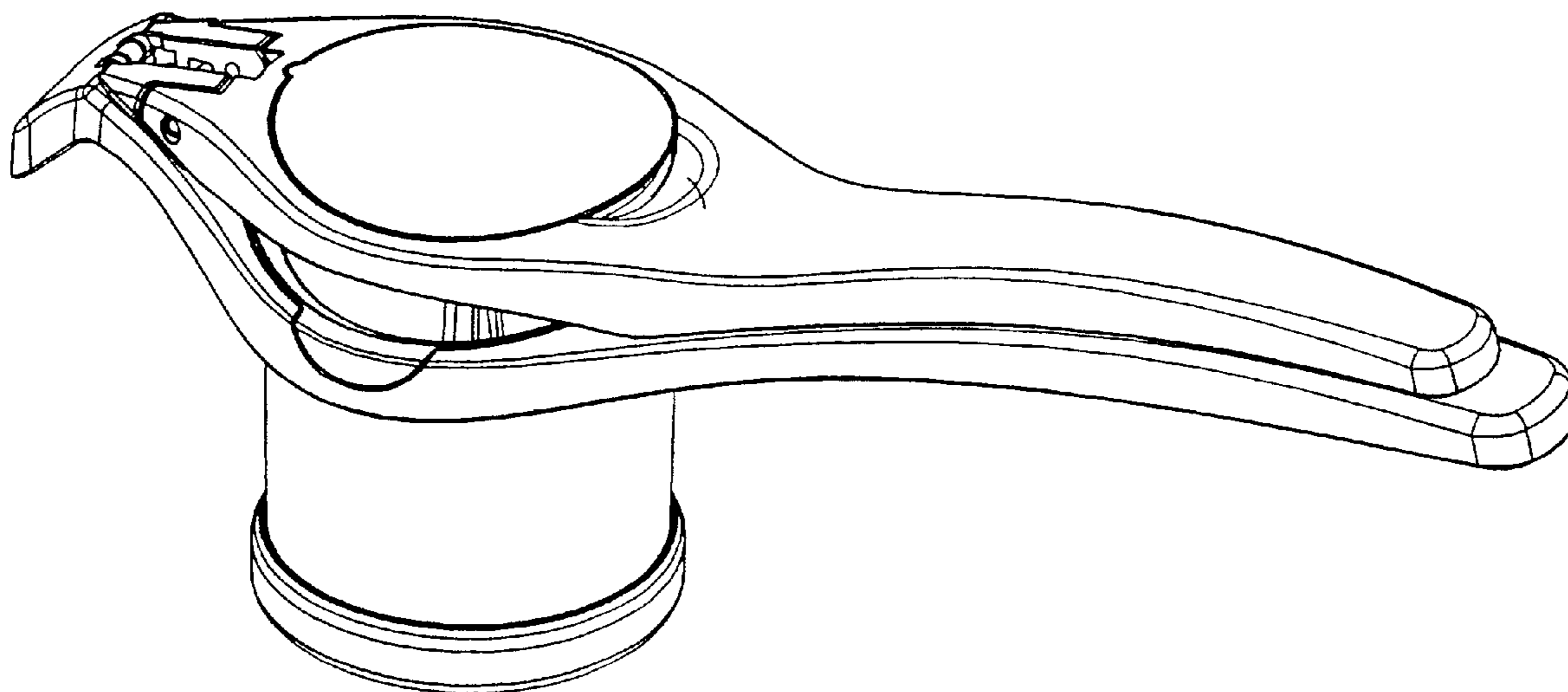
(57) **CLAIM**

The ornamental design for a food masher, as shown and described.

**DESCRIPTION**

FIG. 1 is a rear end, left side and top perspective view of a food masher showing my new design;  
FIG. 2 is a left side elevational view thereof;  
FIG. 3 is a right side elevational view thereof;  
FIG. 4 is a front end elevational view thereof;  
FIG. 5 is a rear end elevational view thereof;  
FIG. 6 is a top plan view thereof; and,  
FIG. 7 is a bottom plan view thereof.

**1 Claim, 4 Drawing Sheets**



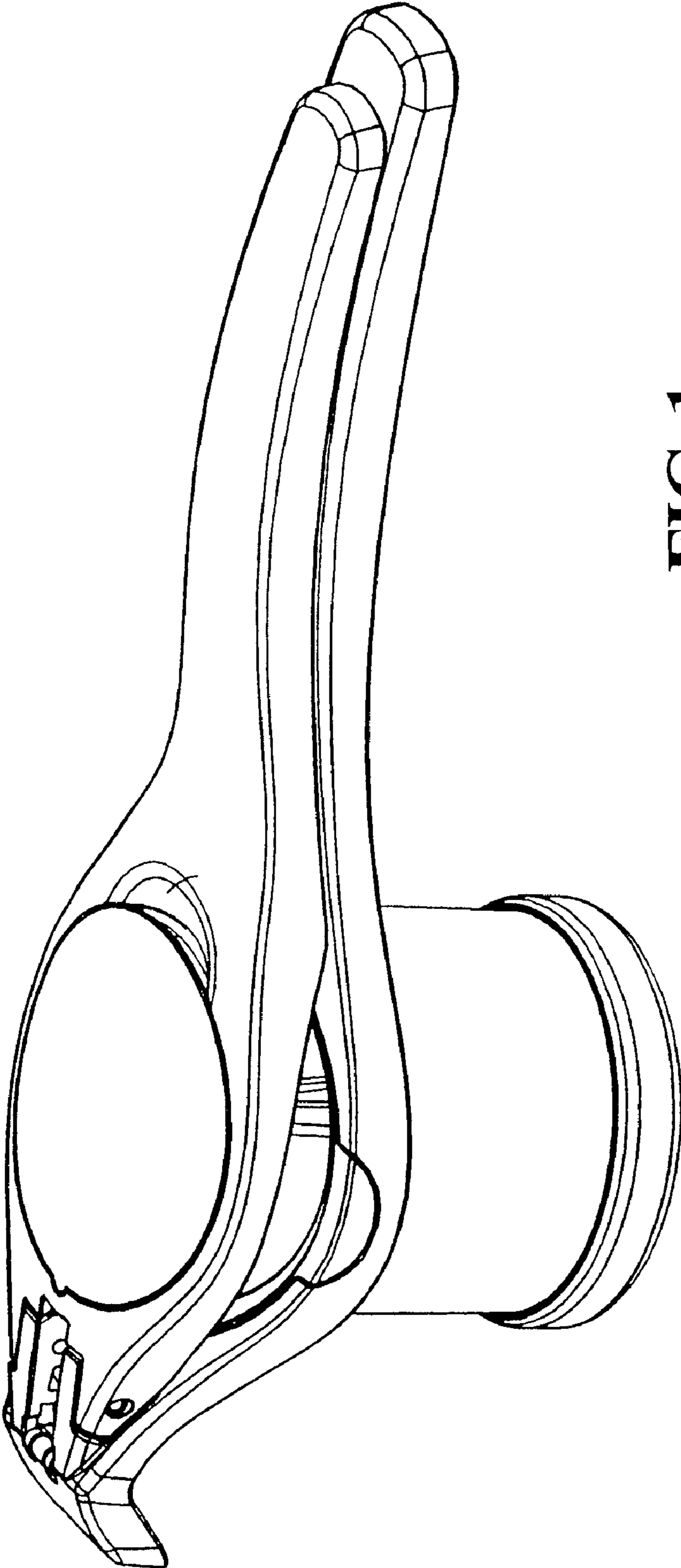


FIG. 1

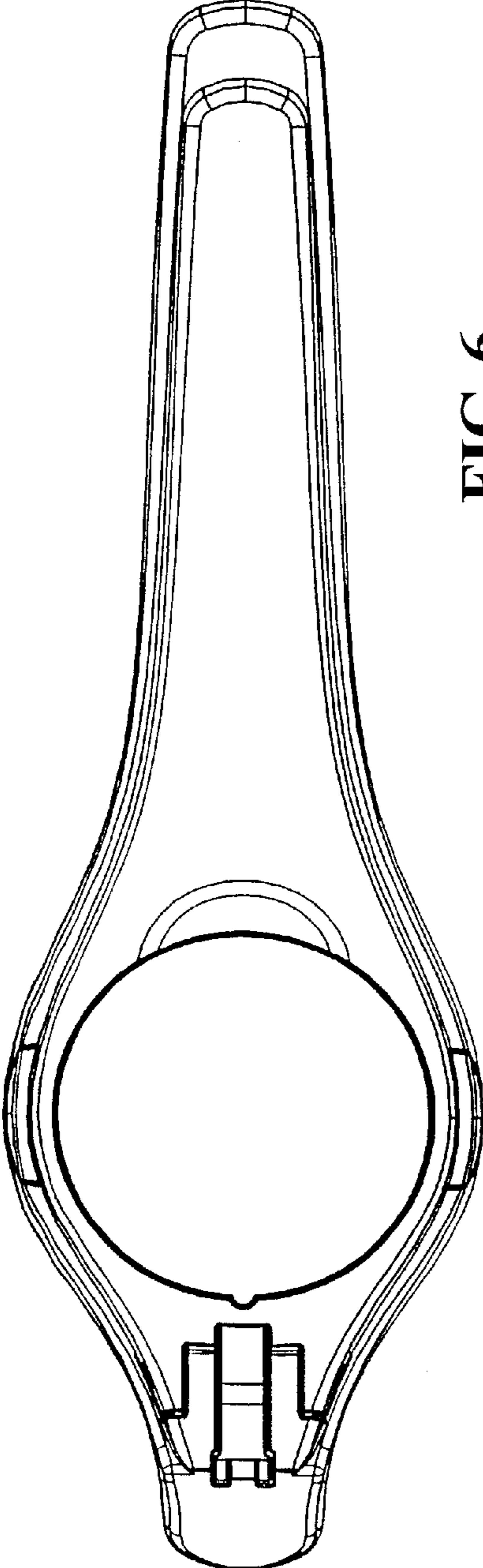


FIG. 6

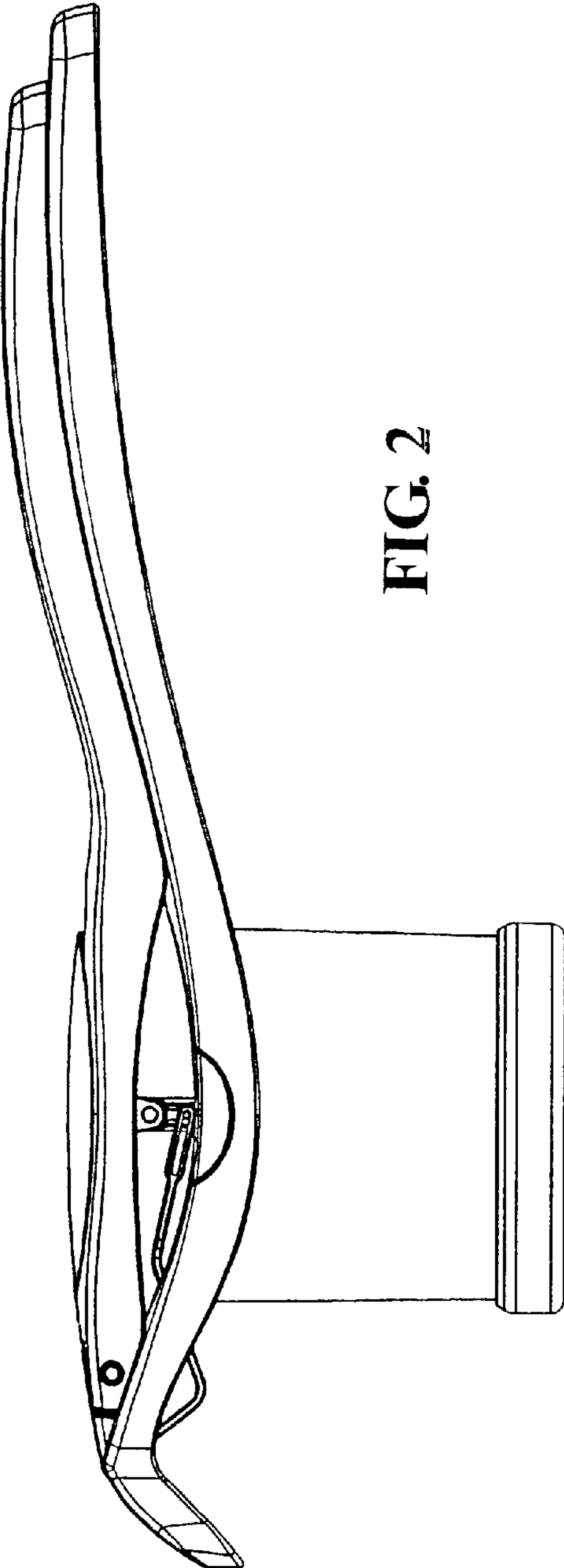


FIG. 2

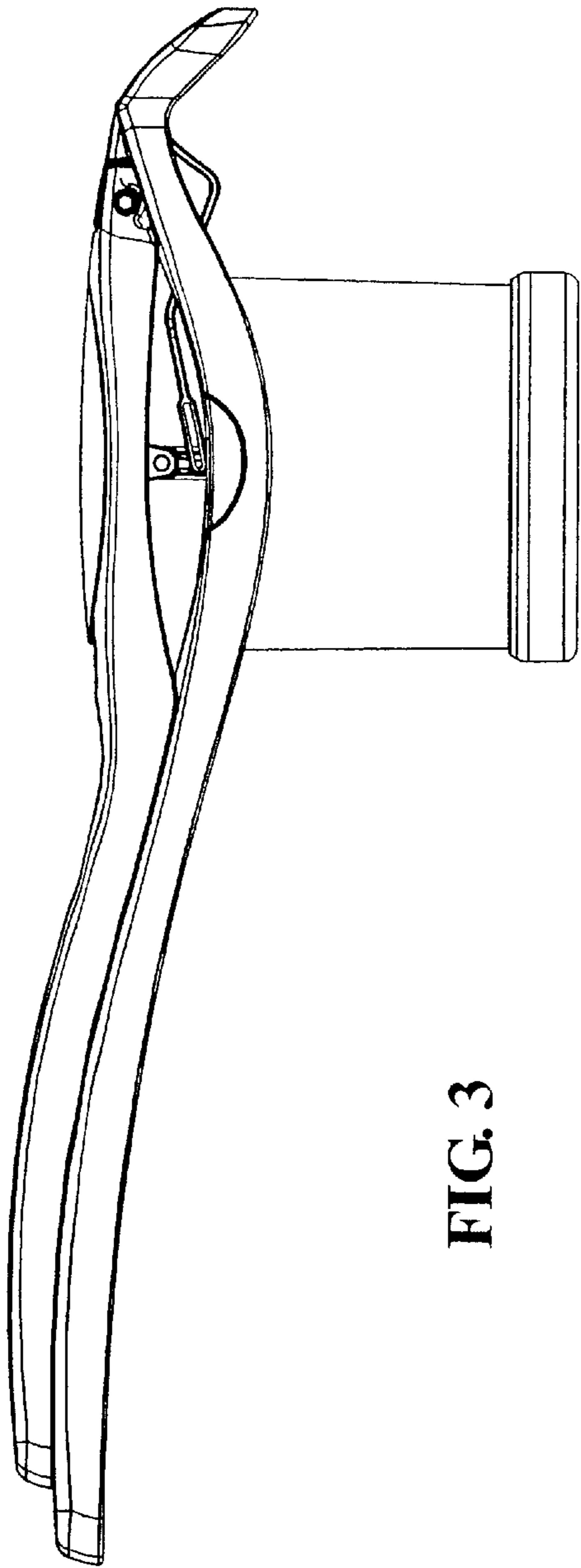


FIG. 3

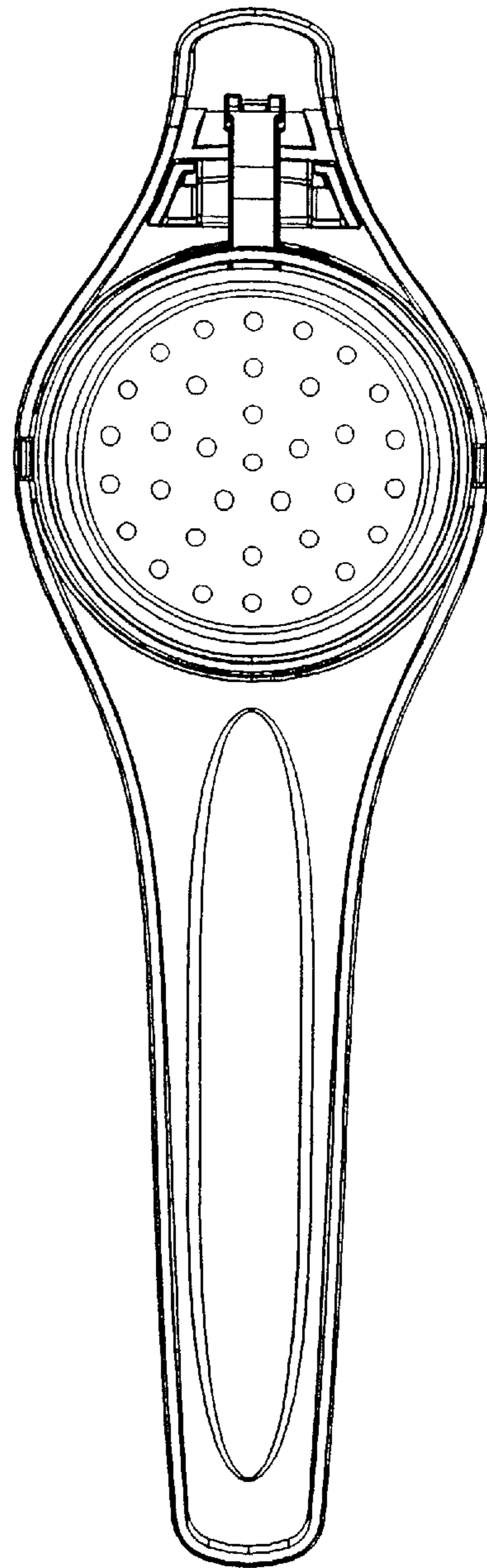


FIG. 7

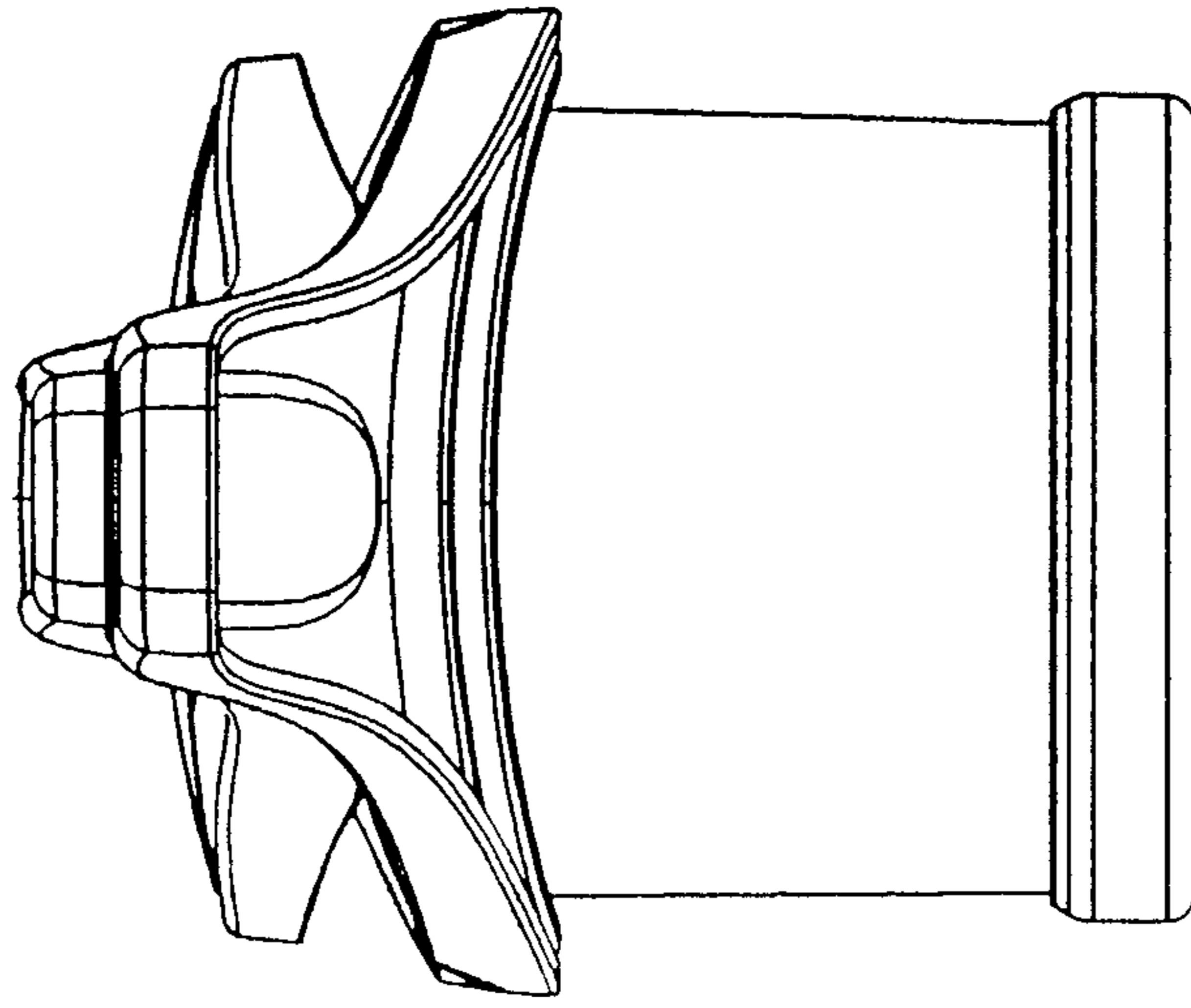


FIG. 5

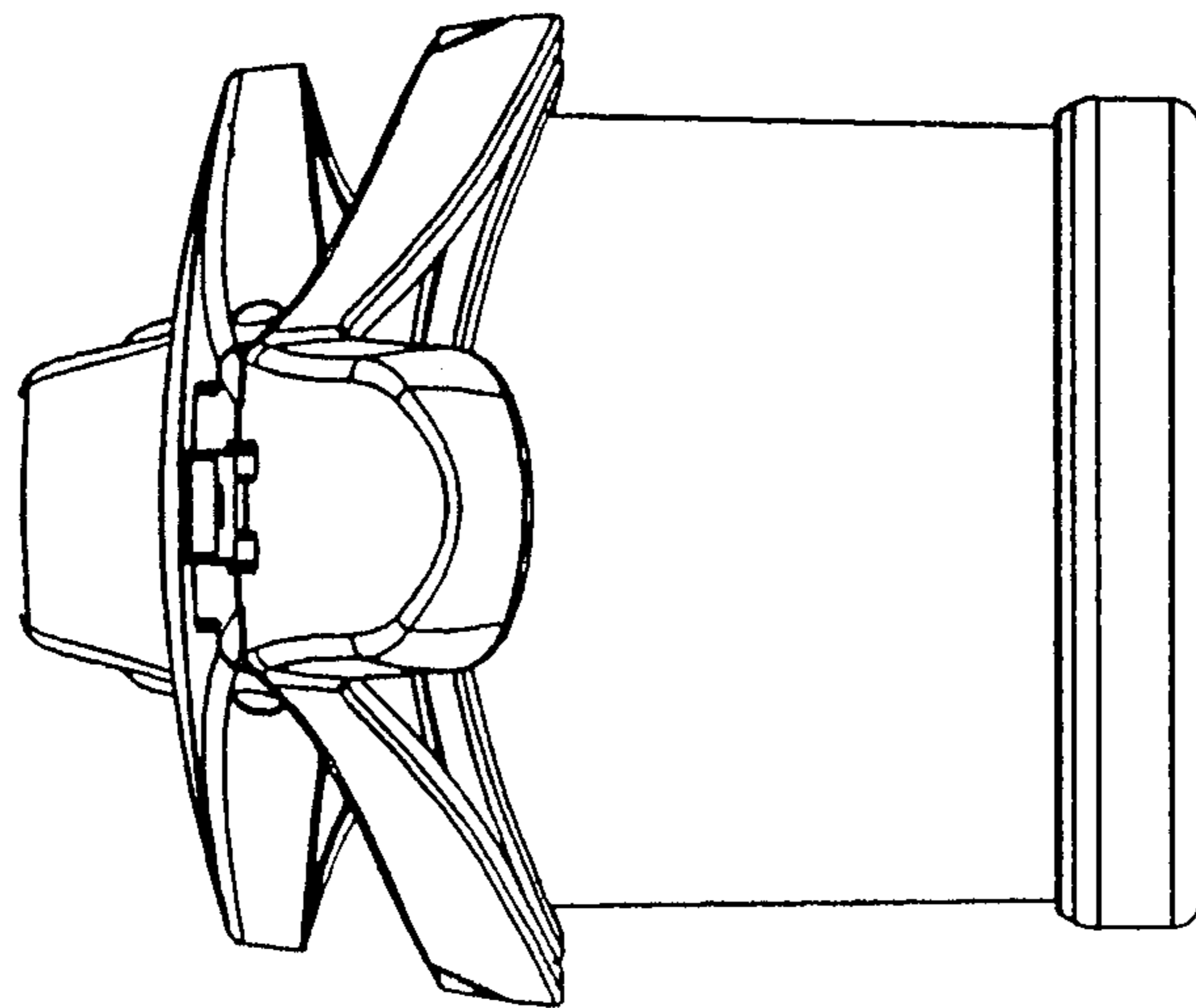


FIG. 4