



US00D521813S

(12) **United States Design Patent**
Piret

(10) **Patent No.:** **US D521,813 S**

(45) **Date of Patent:** **** May 30, 2006**

(54) **JUICER**

D464,535 S * 10/2002 O'Flynn et al. D7/666

(75) Inventor: **Philippe Piret**, Mezieres sur Seine (FR)

FOREIGN PATENT DOCUMENTS

(73) Assignee: **SEB S.A.**, Ecully (FR)

FR 04 3929 8/2004

(**) Term: **14 Years**

* cited by examiner

(21) Appl. No.: **29/223,997**

Primary Examiner—Terry A. Wallace
(74) *Attorney, Agent, or Firm*—Browdy and Neimark, PLLC

(22) Filed: **Feb. 23, 2005**

(51) **LOC (8) Cl.** **31-00**

(52) **U.S. Cl.** **D7/665**

(58) **Field of Classification Search** D7/665,
D7/666, 372–374, 378, 384; 99/501–513,
99/495, 492, 497, 499, 348, 357; 241/36,
241/37, 100, 282.2

See application file for complete search history.

(57) **CLAIM**

The ornamental design for a juicer, as shown.

DESCRIPTION

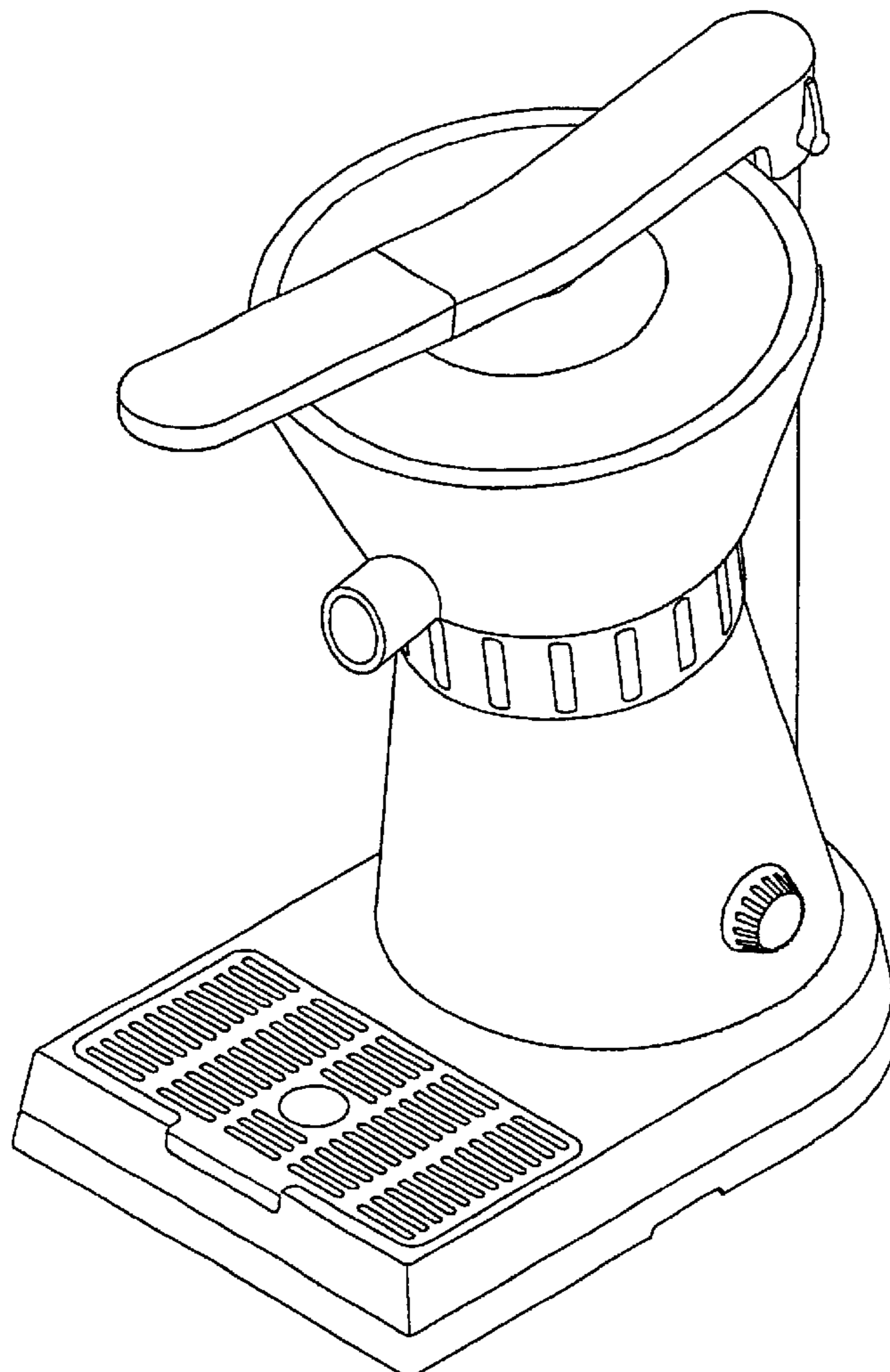
FIG. 1 is a front elevational view of a juicer in accordance with the present design;
FIG. 2 is a rear elevational view thereof;
FIG. 3 is a right side elevational view thereof;
FIG. 4 is a left side elevational view thereof;
FIG. 5 is a top plan view thereof;
FIG. 6 is a bottom plan view thereof; and,
FIG. 7 is a perspective view thereof.

(56) **References Cited**

U.S. PATENT DOCUMENTS

2,315,018 A * 3/1943 Lawrence 99/501
D371,055 S * 6/1996 Fouquet D7/665
D450,545 S * 11/2001 Au D7/665

1 Claim, 7 Drawing Sheets



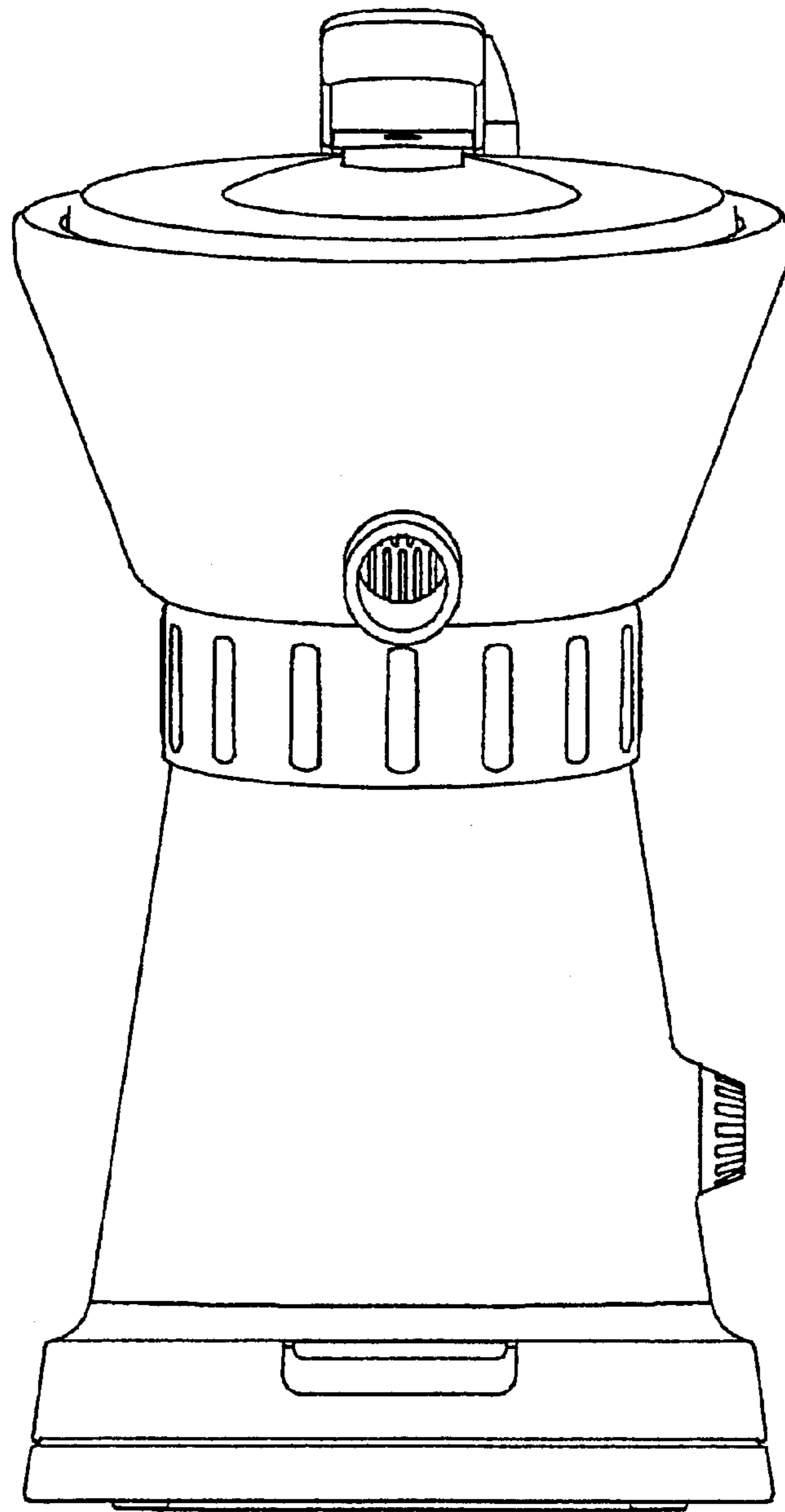


Figure 1

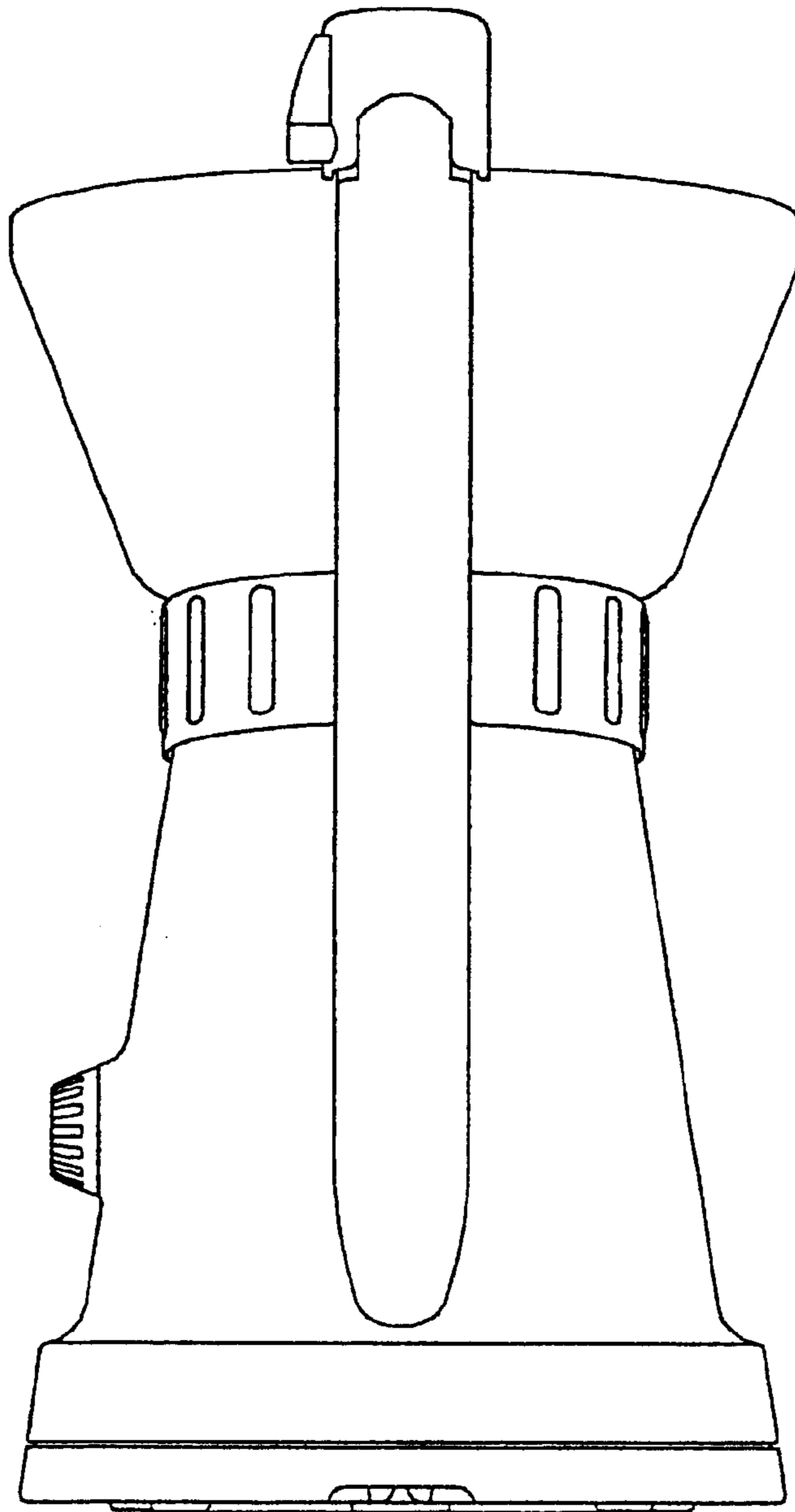


Figure 2

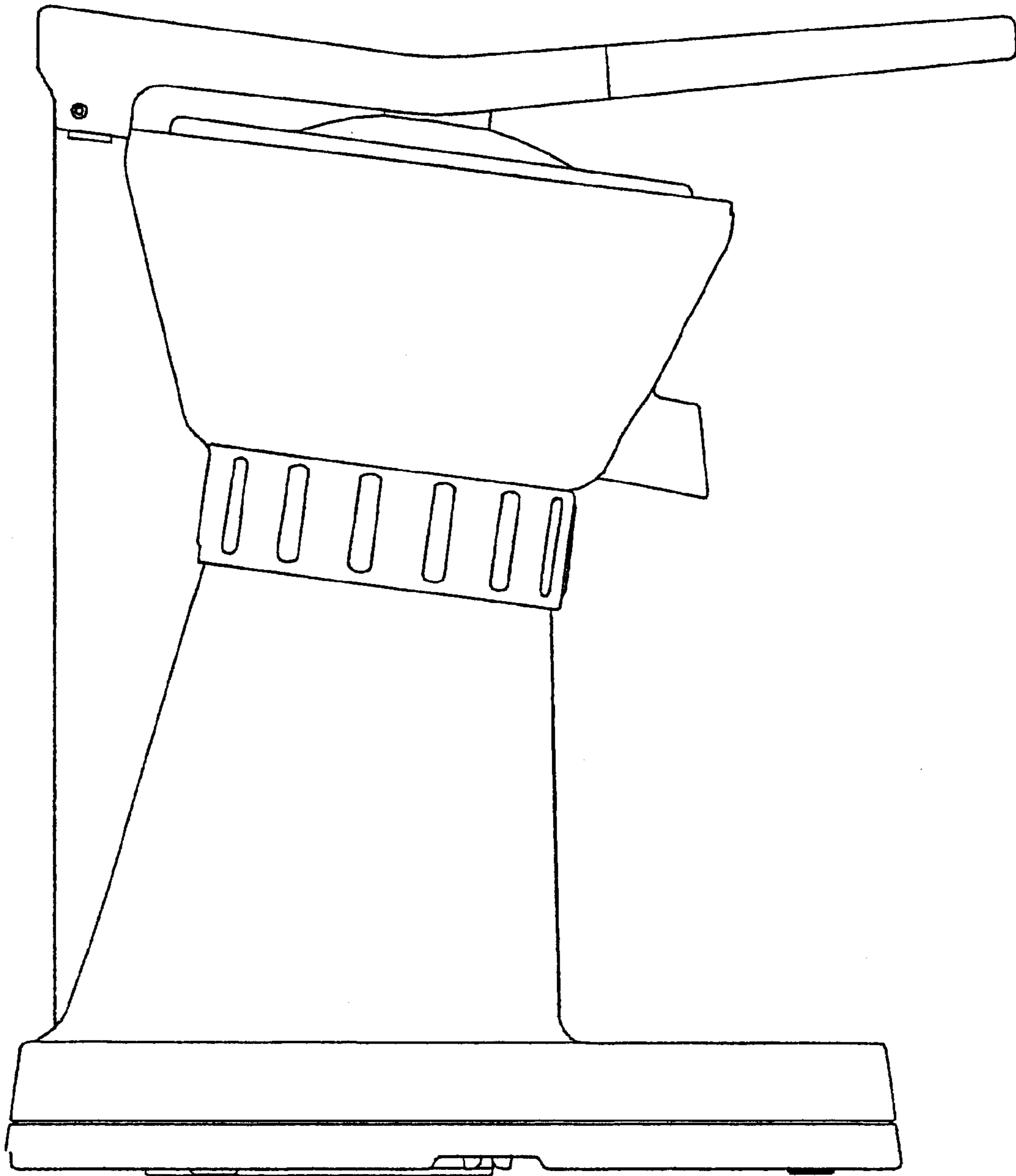


Figure 3

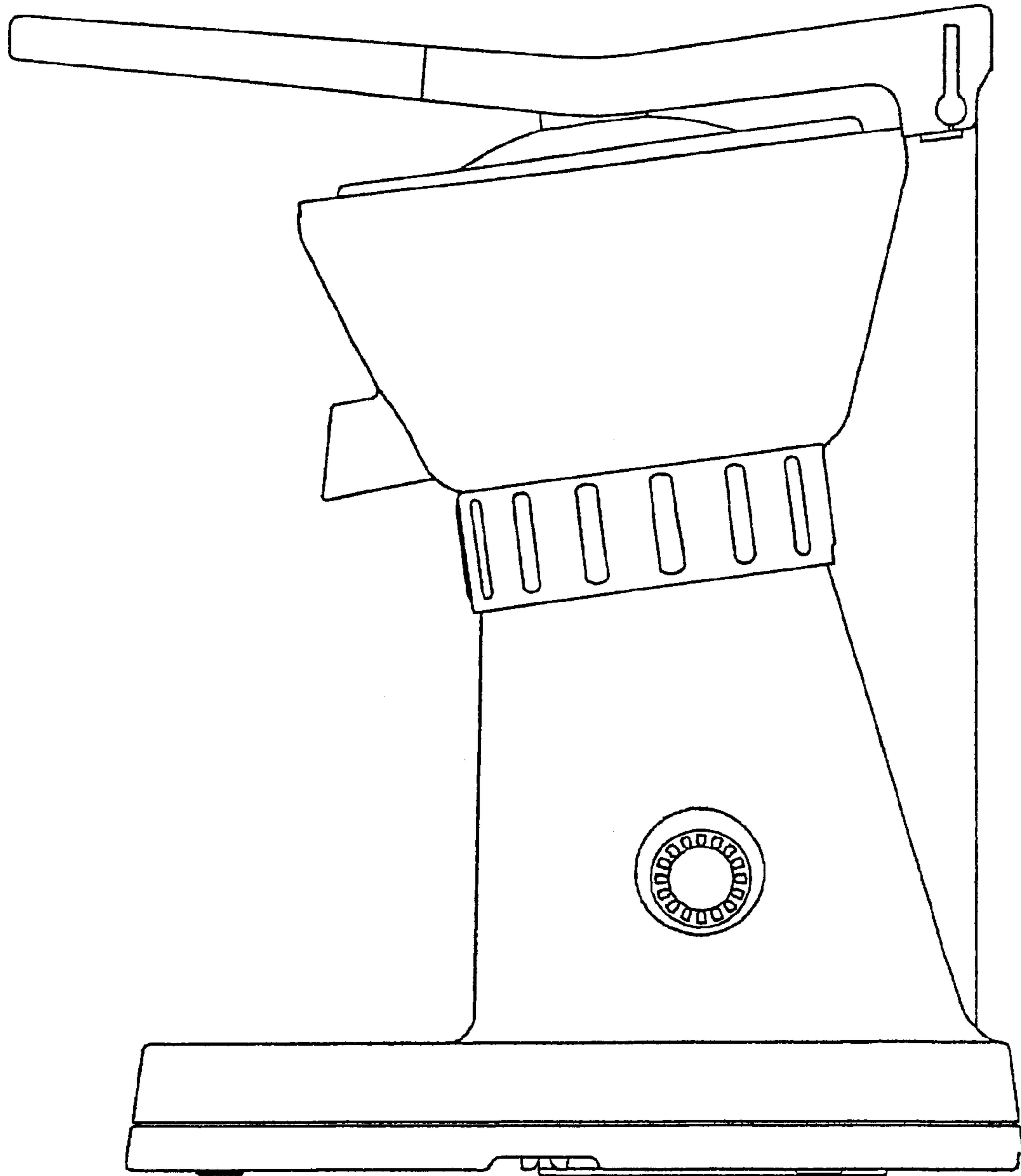


Figure 4

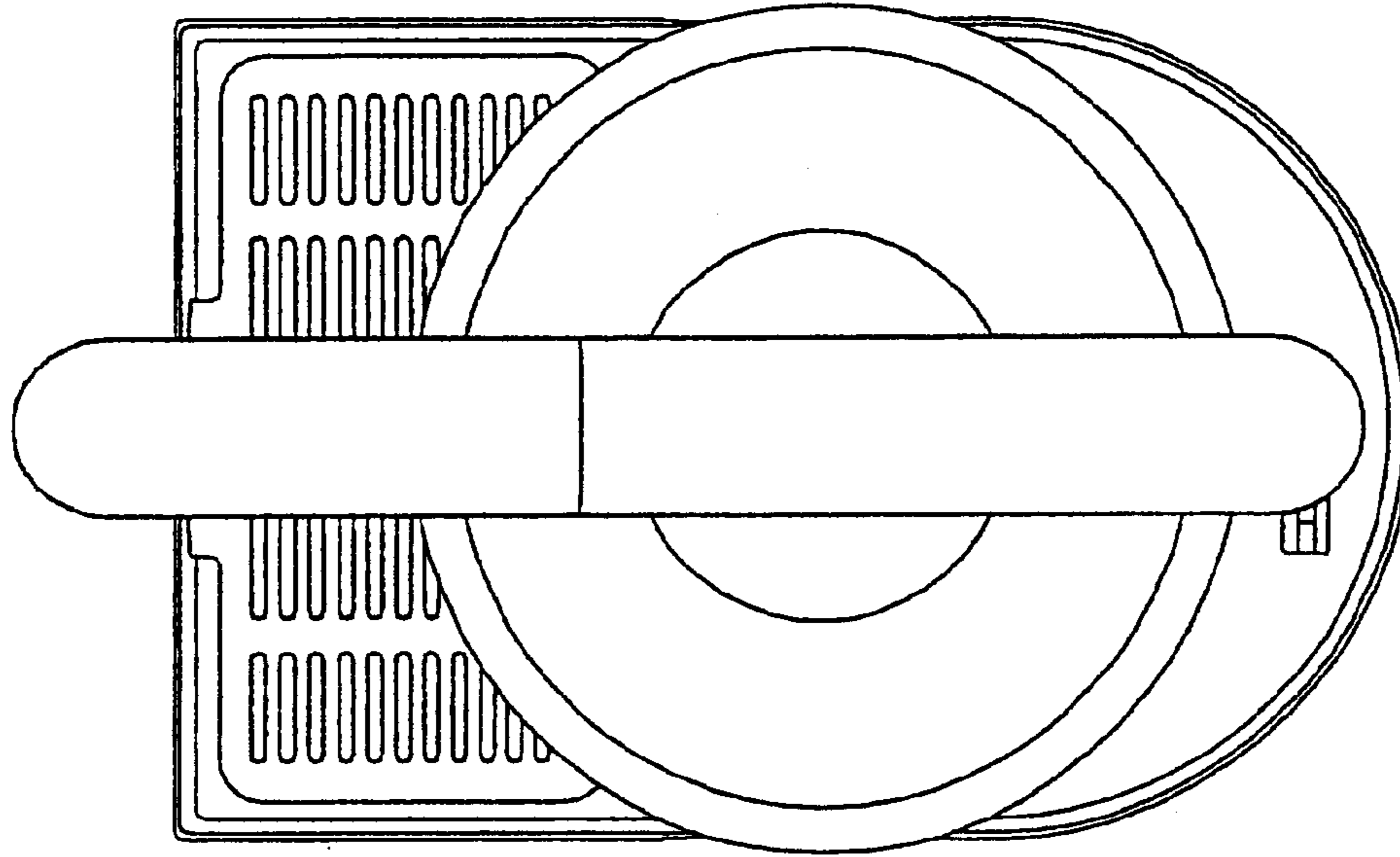


Figure 5

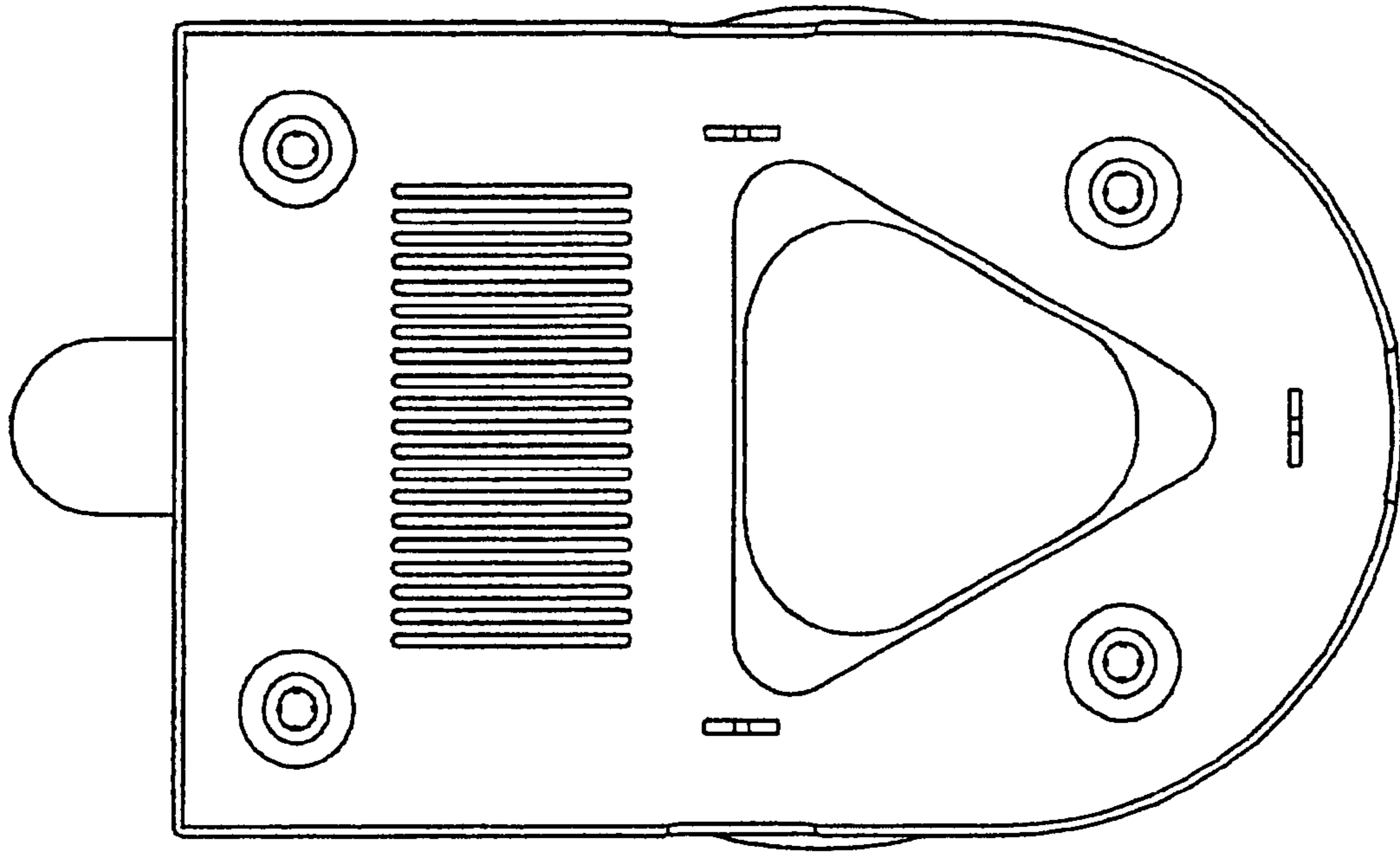


Figure 6

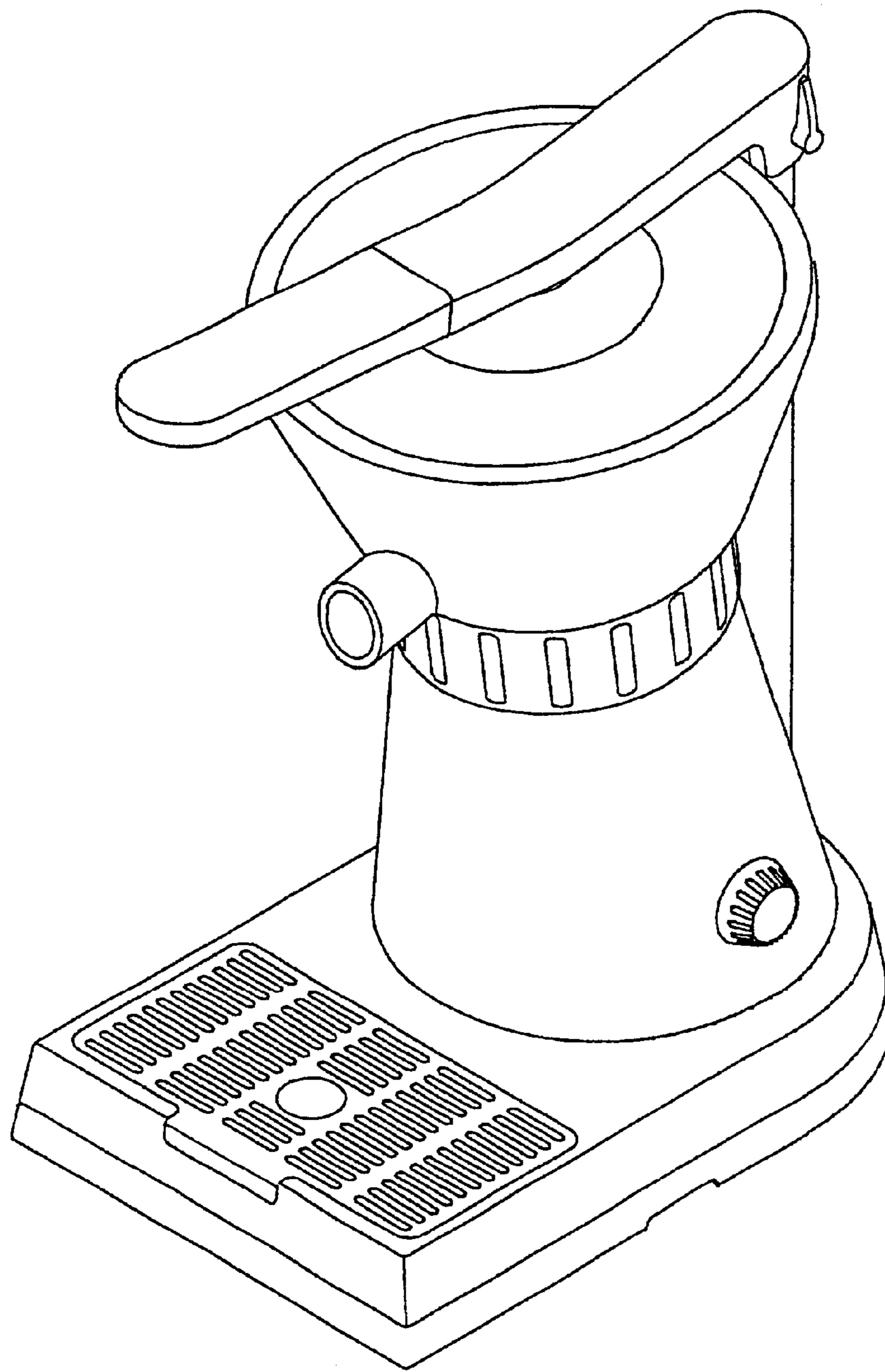


Figure 7