



US00D521812S

(12) **United States Design Patent**
Kim

(10) **Patent No.:** **US D521,812 S**

(45) **Date of Patent:** **** May 30, 2006**

(54) **CONTAINER FOR STORING FOODS**

D481,910 S * 11/2003 Kim D7/629
D484,367 S * 12/2003 Kim D7/629

(75) Inventor: **Chang-Ho Kim**, Incheon (KR)

* cited by examiner

(73) Assignee: **Hana Cobi Co., Ltd.**, Seoul (KR)

Primary Examiner—Terry A. Wallace

(**) Term: **14 Years**

(74) *Attorney, Agent, or Firm*—Birch, Stewart, Kolasch & Birch, LLP

(21) Appl. No.: **29/216,752**

(57) **CLAIM**

(22) Filed: **Nov. 8, 2004**

The ornamental design for a container for storing foods, as shown.

(30) **Foreign Application Priority Data**

May 7, 2004 (KR) 30-2004-0013152

DESCRIPTION

(51) **LOC (8) Cl.** **07-07**

(52) **U.S. Cl.** **D7/629**; D9/632

(58) **Field of Classification Search** D7/602,
D7/629, 630, 538–548, 612–615; D9/424–432;
220/780–806, 675

FIG. 1 is a perspective view of the container for storing foods according to the present invention;

FIG. 2 is a Front view thereof;

FIG. 3 is a Rear view thereof;

FIG. 4 is a Left-side view thereof;

FIG. 5 is a Right-side view thereof;

FIG. 6 is a Top plan view thereof; and,

FIG. 7 is a Bottom Plan view thereof.

See application file for complete search history.

(56) **References Cited**

U.S. PATENT DOCUMENTS

D455,321 S * 4/2002 Jung et al. D7/629

1 Claim, 4 Drawing Sheets

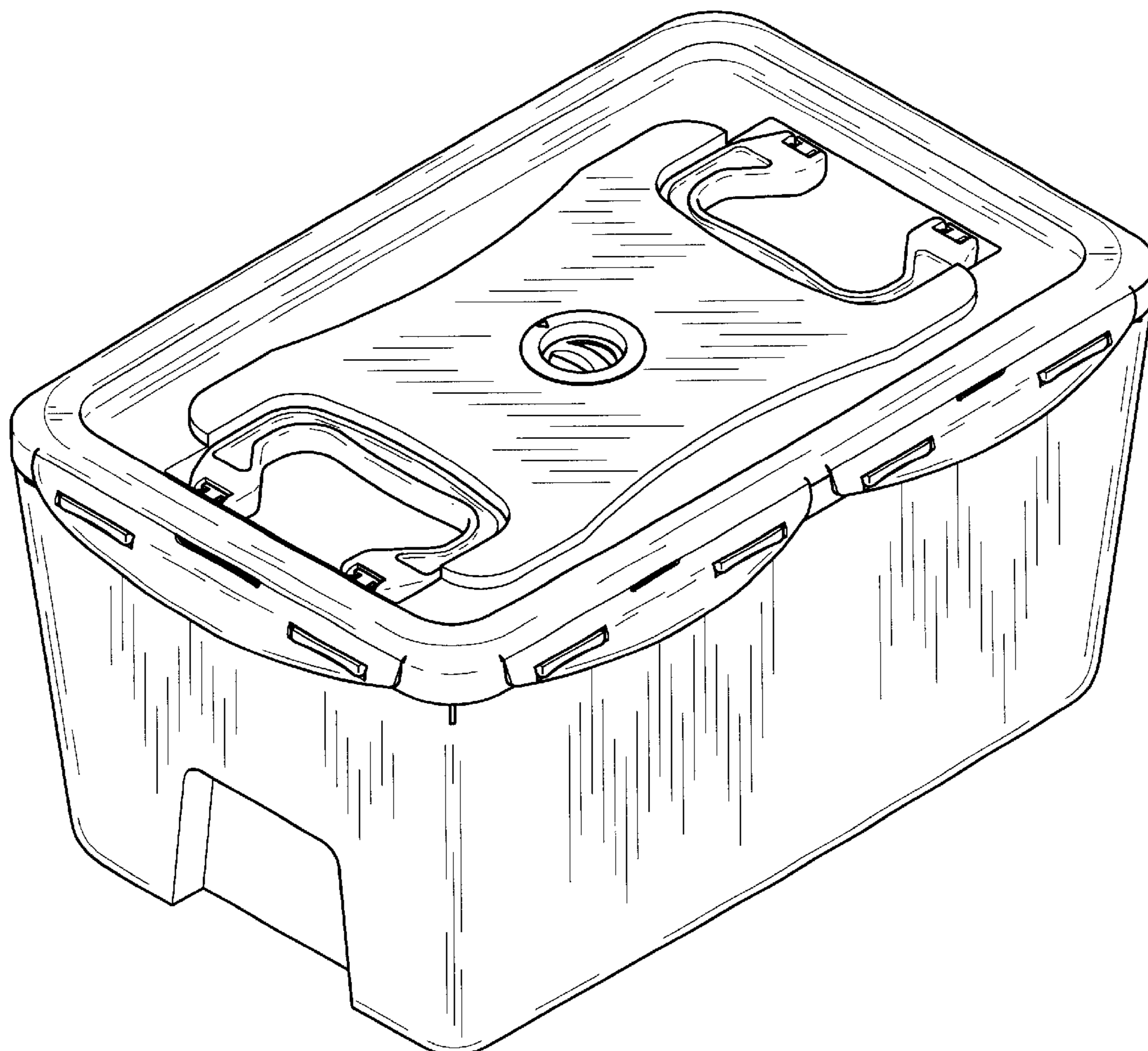


Fig. 1

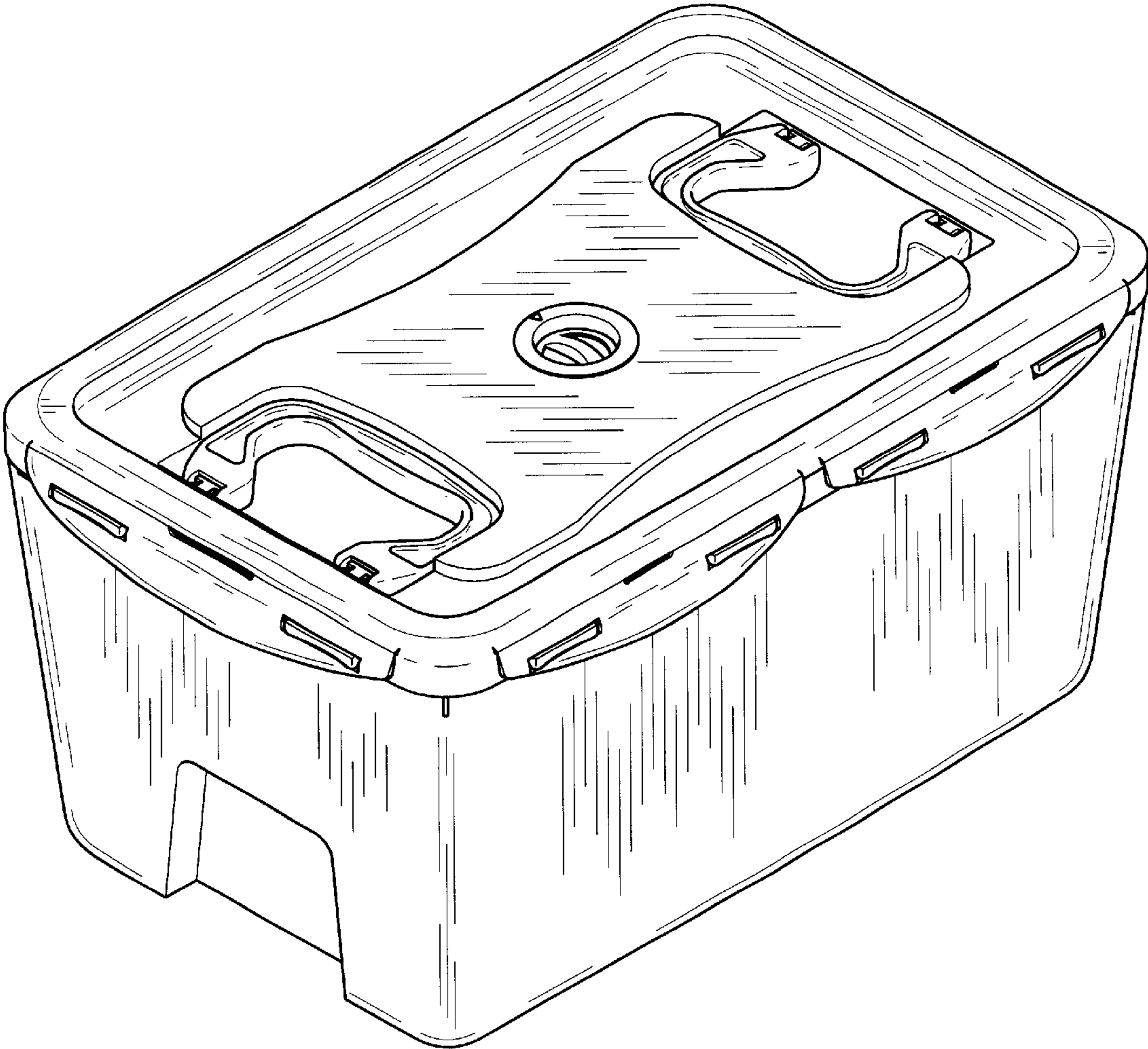


Fig.2

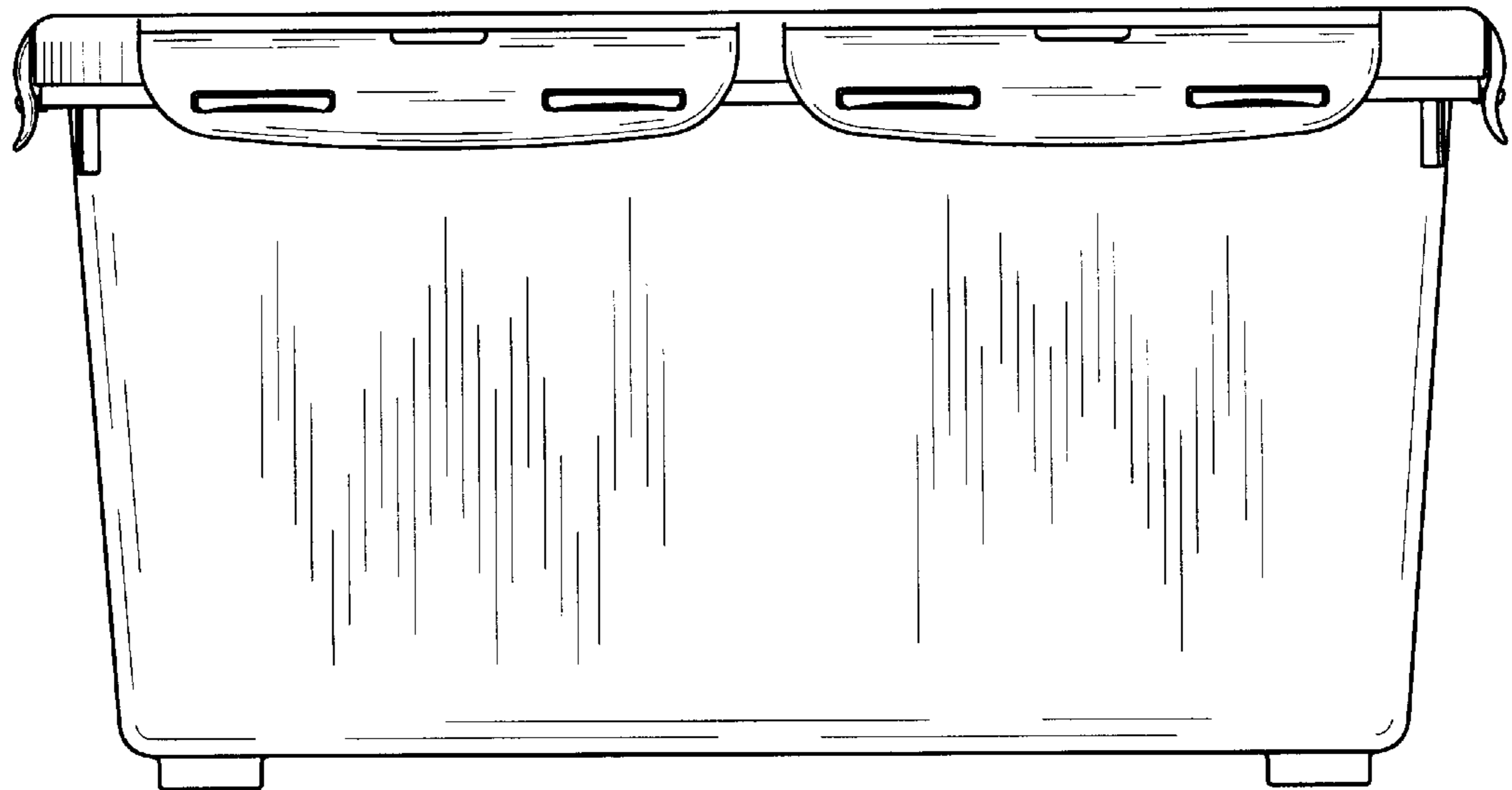


Fig.3

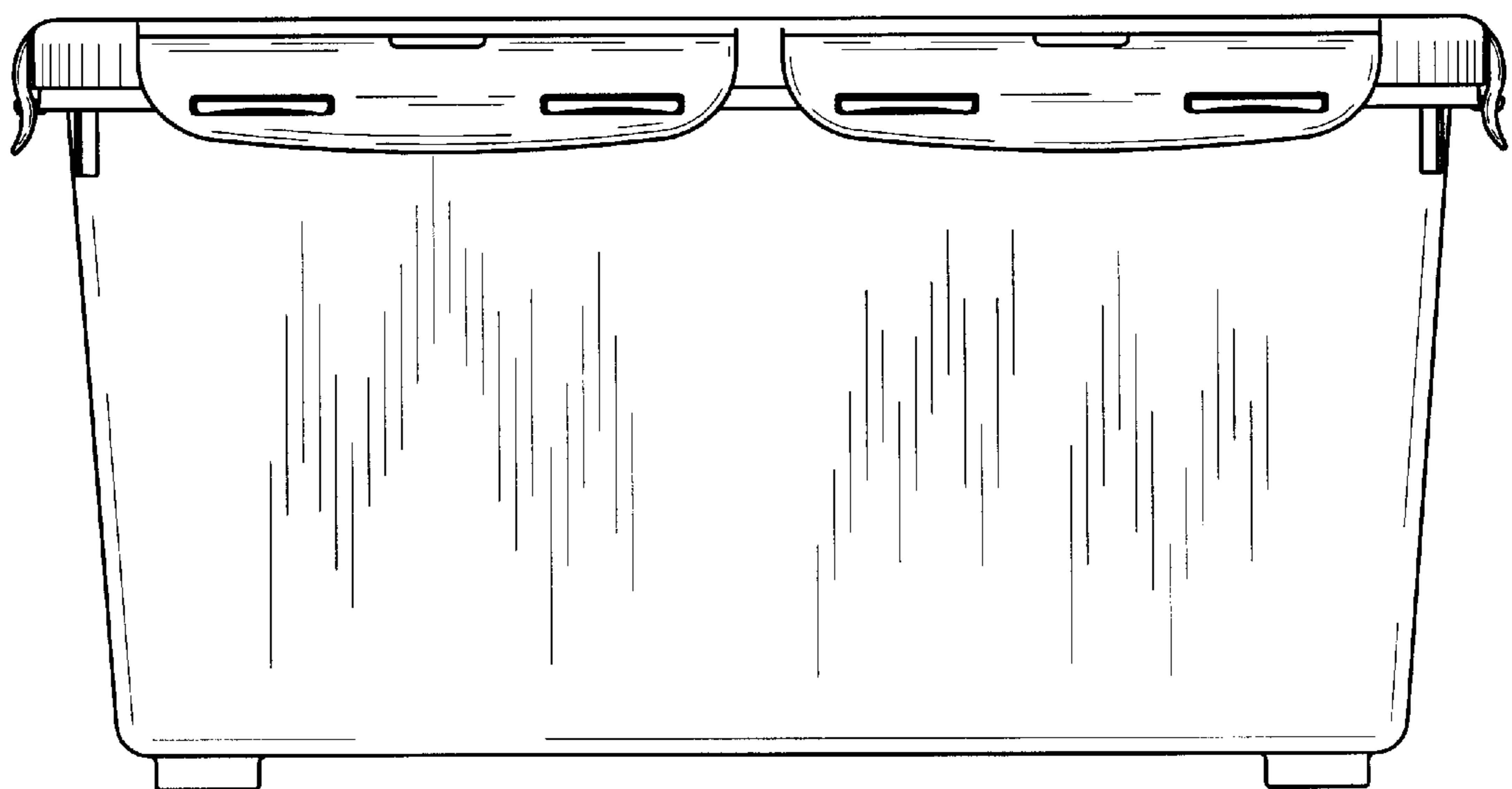


Fig.4

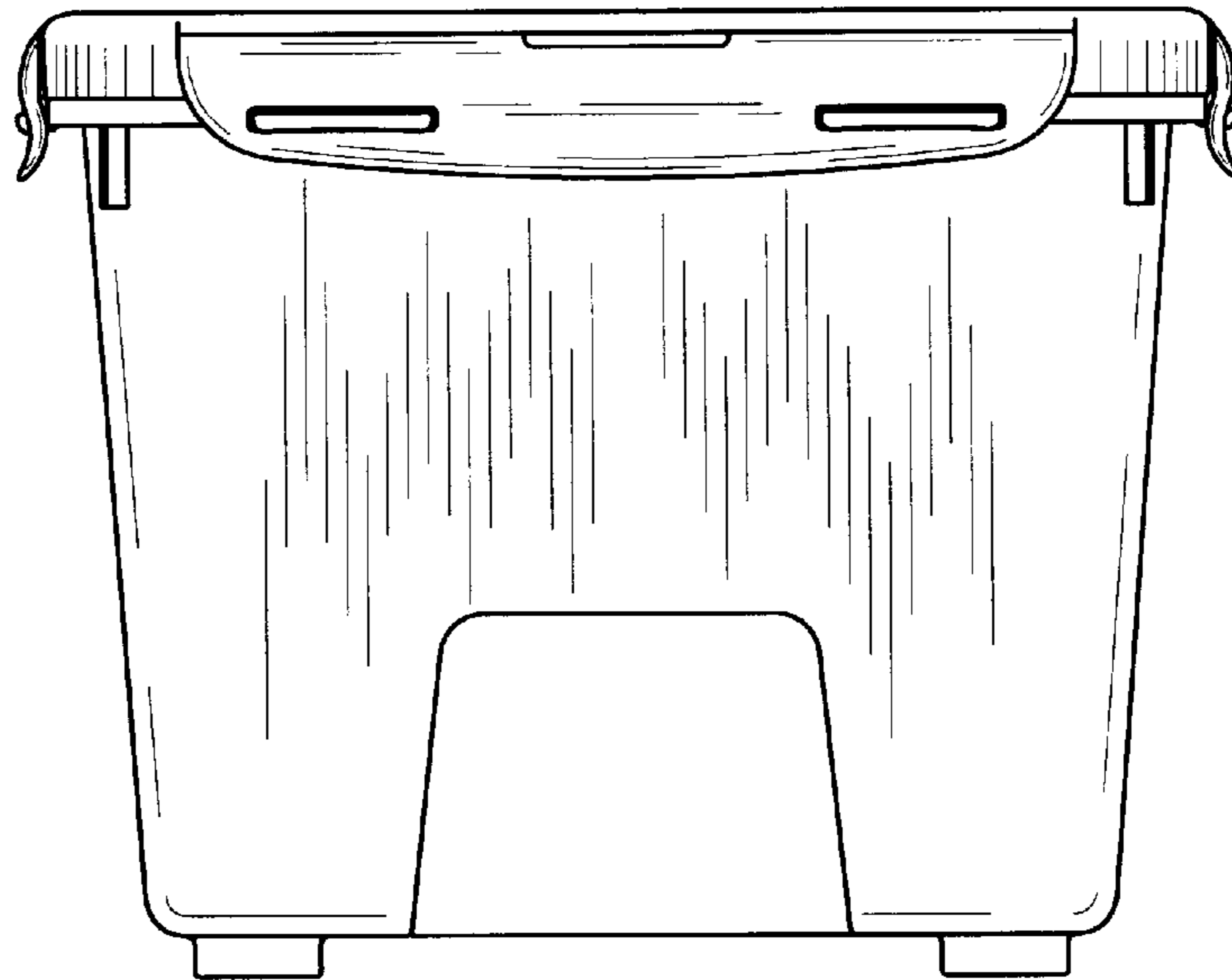


Fig.5

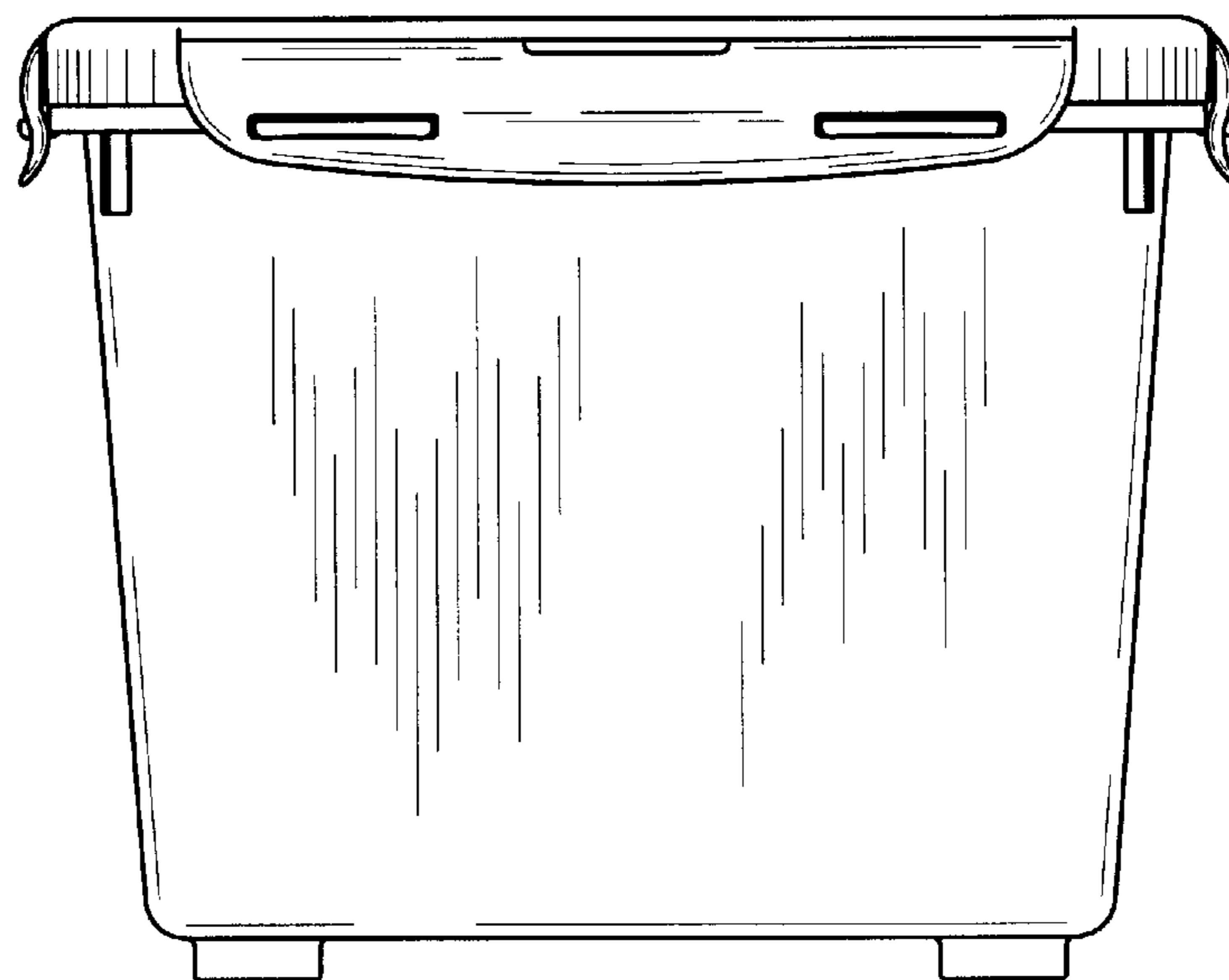


Fig.6

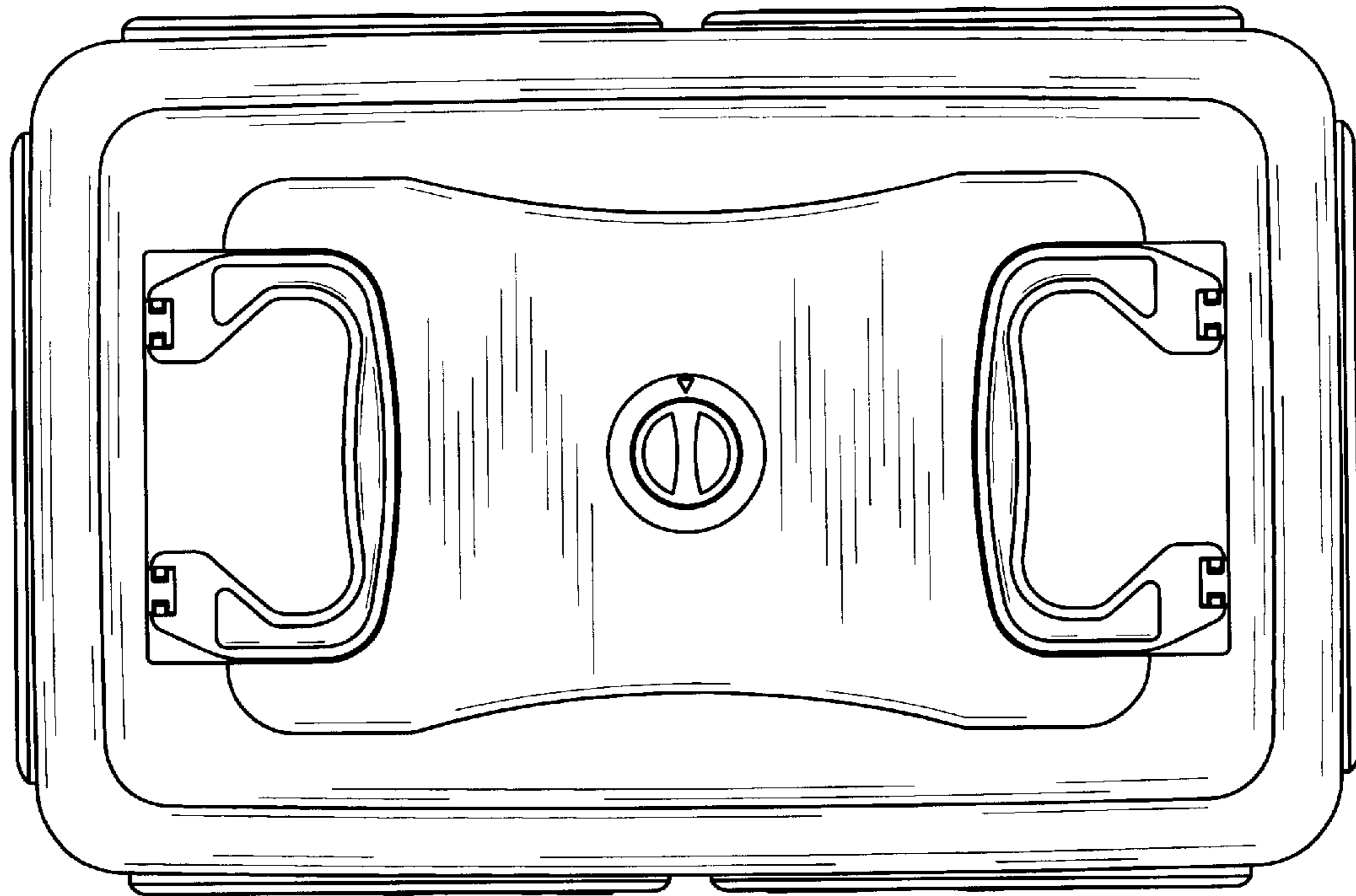


Fig.7

