



US00D521810S

(12) **United States Design Patent**
Estes

(10) **Patent No.:** **US D521,810 S**

(45) **Date of Patent:** **** May 30, 2006**

(54) **SPORTS COOLER**

(76) **Inventor:** **Larry R. Estes**, 3559 Lorna Rd., Apt.
D, Birmingham, AL (US) 35216

(**) **Term:** **14 Years**

(21) **Appl. No.:** **29/237,219**

(22) **Filed:** **Aug. 29, 2005**

Related U.S. Application Data

(62) Division of application No. 29/214,482, filed on Oct. 5,
2004.

(51) **LOC (8) Cl.** **07-01**

(52) **U.S. Cl.** **D7/606; D7/605; D7/628;**
D7/901

(58) **Field of Classification Search** D7/301,
D7/300, 306, 312, 313, 603, 605, 628, 604,
D7/625, 606, 613, 505, 302, 355, 450, 710,
D7/356, 361, 901; 280/606, 655; 222/183,
222/185, 129.1, 131, 146.6; 137/212, 322;
220/522, 254.3, 23.83; 215/385; 62/457.2,
62/371, 457.7; D3/273, 294; 206/542, 541,
206/5; D9/307; D6/450; D34/39
See application file for complete search history.

(56) **References Cited**

U.S. PATENT DOCUMENTS

- D210,795 S * 4/1968 Birger et al. D7/605
- D232,798 S * 9/1974 Roche D7/605
- D236,937 S * 9/1975 Russo D7/604
- D237,135 S * 10/1975 Wiant et al. D7/605

- D268,979 S * 5/1983 Ruxton D7/605
- D271,173 S * 11/1983 Keshishian D7/604
- 4,696,412 A * 9/1987 McGowan et al. 220/832
- D352,208 S * 11/1994 Brookshire D7/605
- D354,641 S * 1/1995 Stoddard et al. D6/450
- D357,386 S * 4/1995 Jones D7/606
- D370,391 S * 6/1996 Bauer et al. D7/606
- D416,770 S * 11/1999 Thorpe D7/710
- D419,387 S * 1/2000 Hansen D7/606

* cited by examiner

Primary Examiner—M. N. Pandozzi

(74) *Attorney, Agent, or Firm*—Wm. Randall May

(57) **CLAIM**

The ornamental design for a sports cooler, as shown and described.

DESCRIPTION

FIG. 1 is a perspective frontal view of an embodiment of the invention.

FIG. 2 is a front elevational view of the embodiment of FIG. 1.

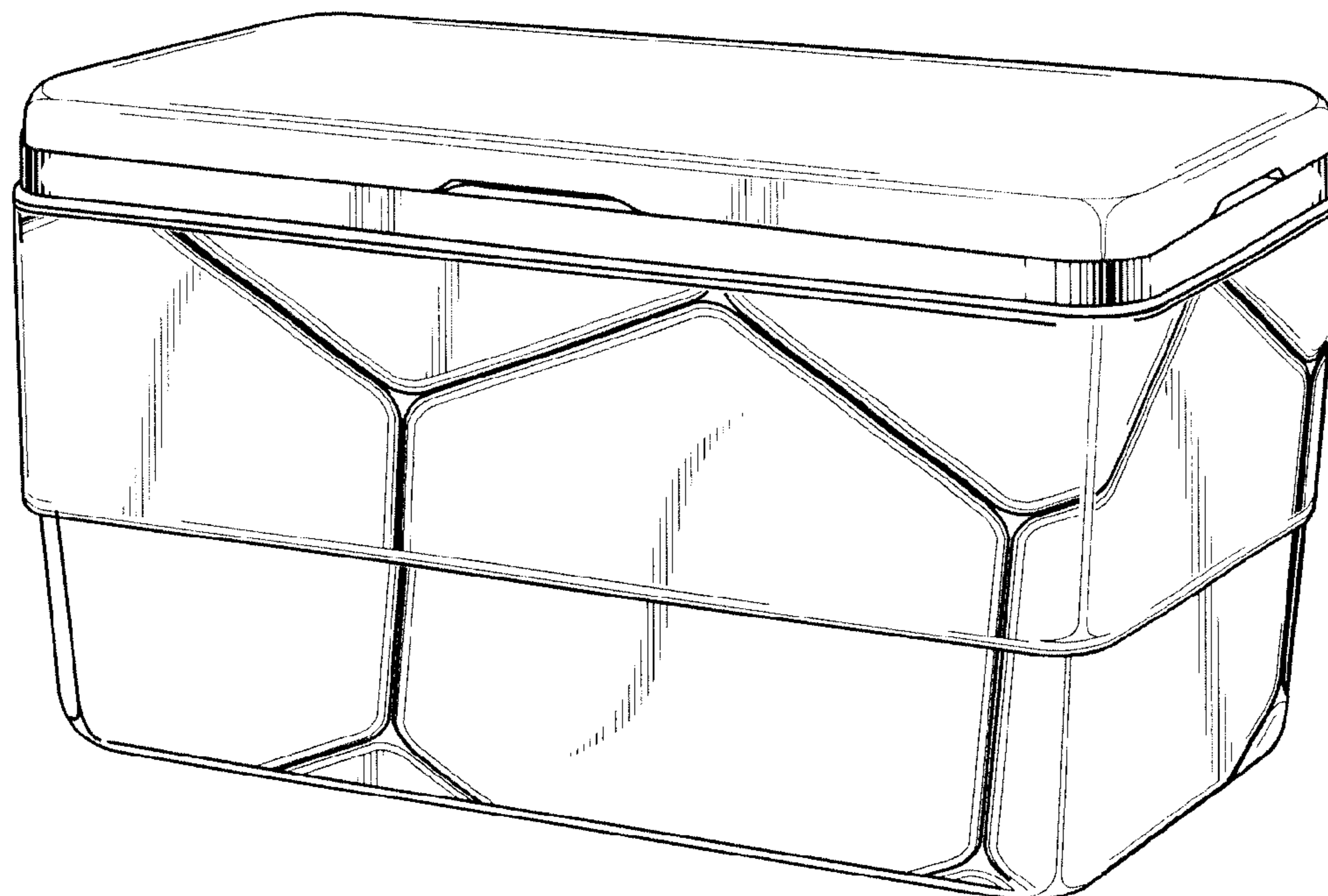
FIG. 3 is a rear elevational view of the embodiment of FIG. 1.

FIG. 4 is a left side elevational view of the embodiment of FIG. 1.

FIG. 5 is a right side elevational view of the embodiment of FIG. 1.

FIG. 6 is a plan view of the embodiment of FIG. 1; and, FIG. 7 is an inverted plan view of the embodiment of FIG. 1.

1 Claim, 3 Drawing Sheets



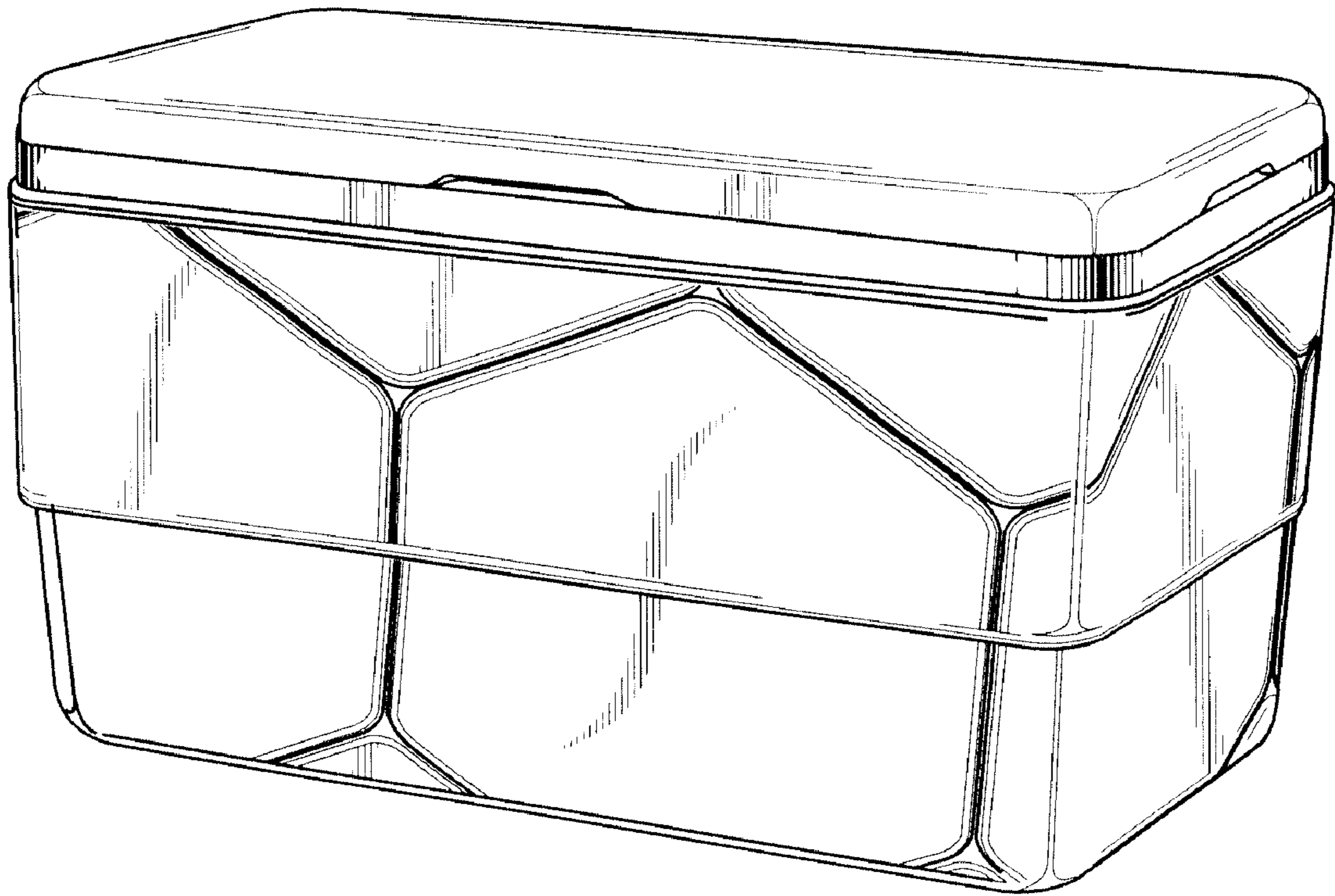


Fig. 1

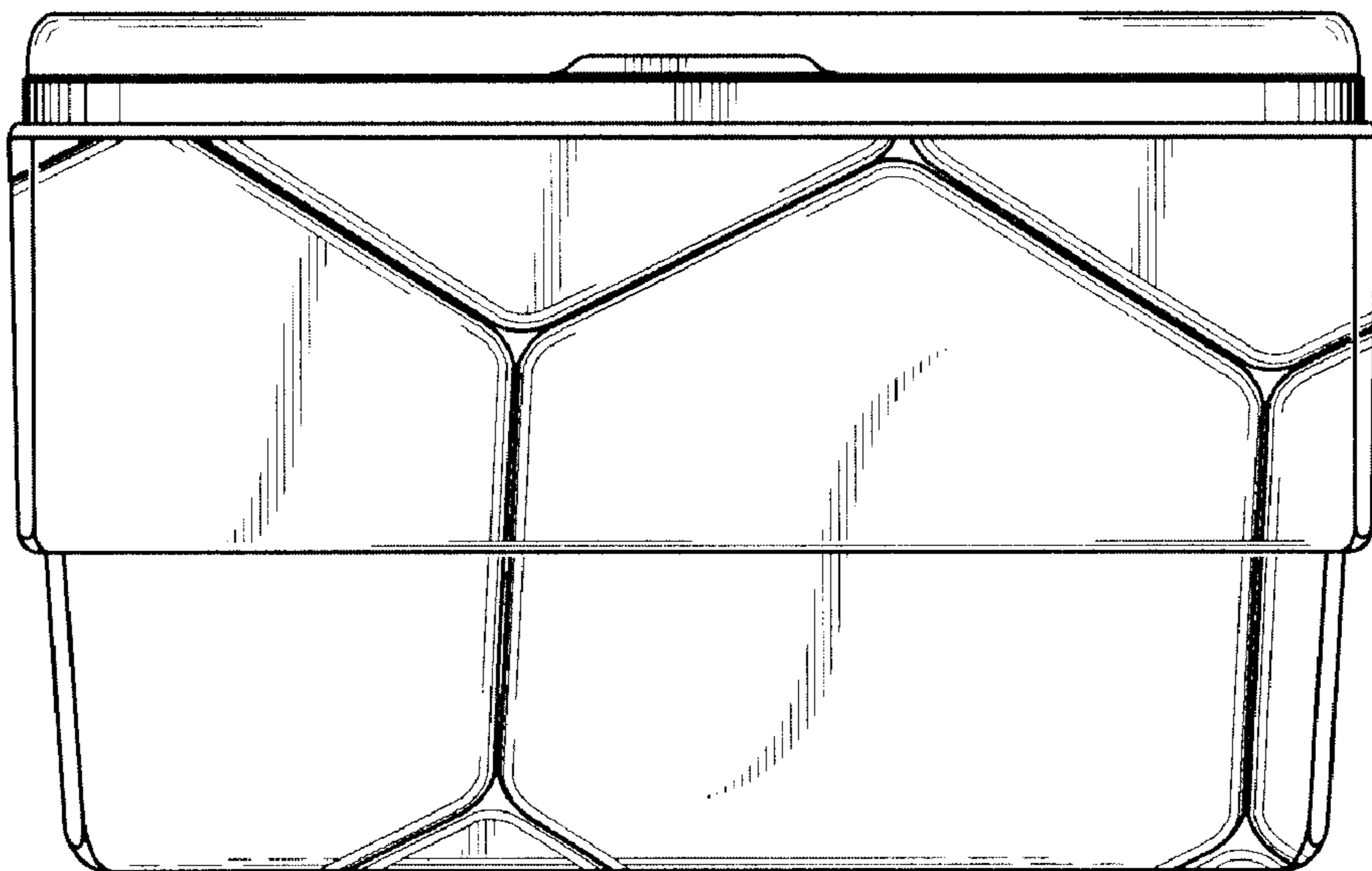


Fig. 2

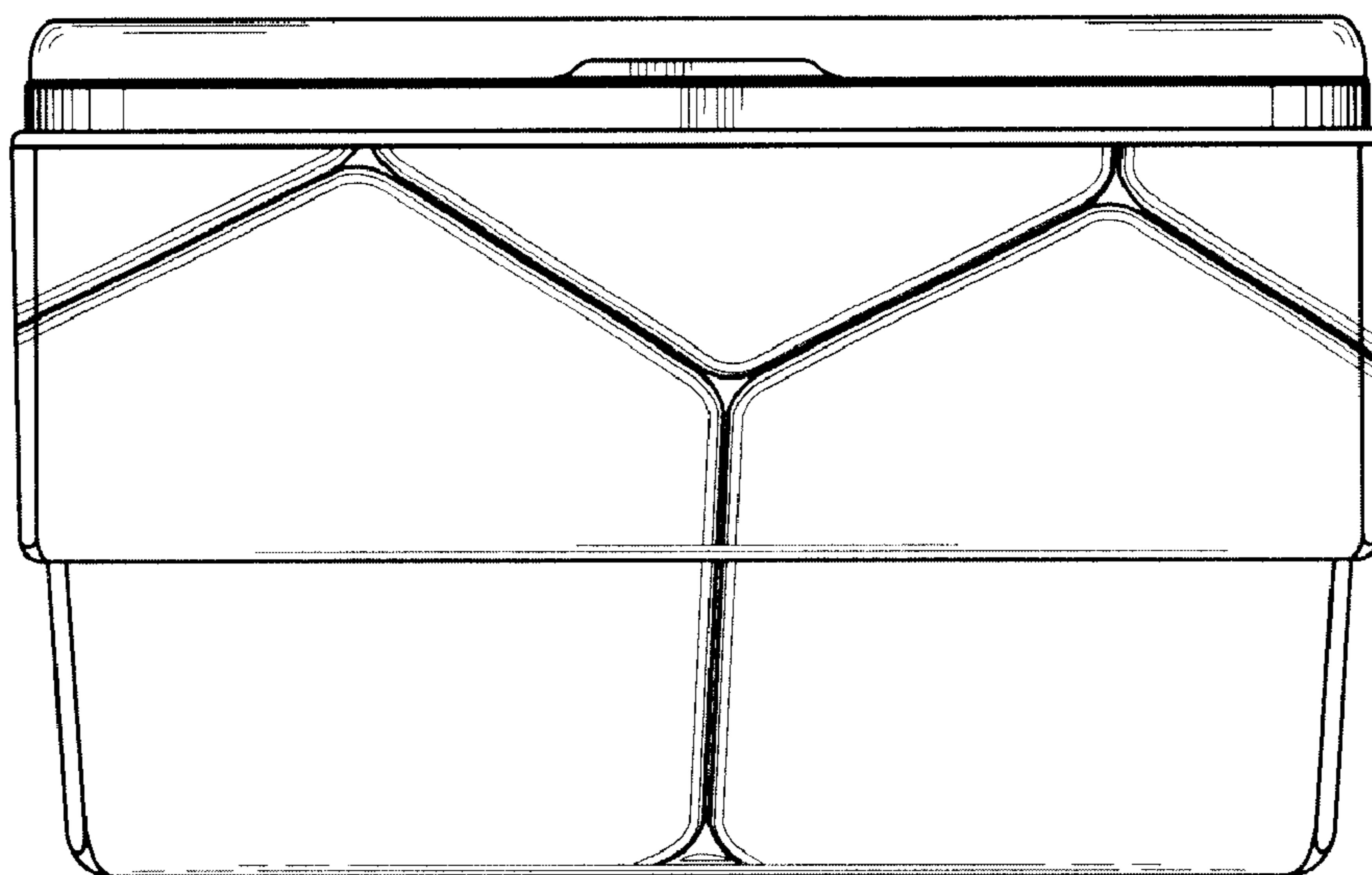


Fig. 3

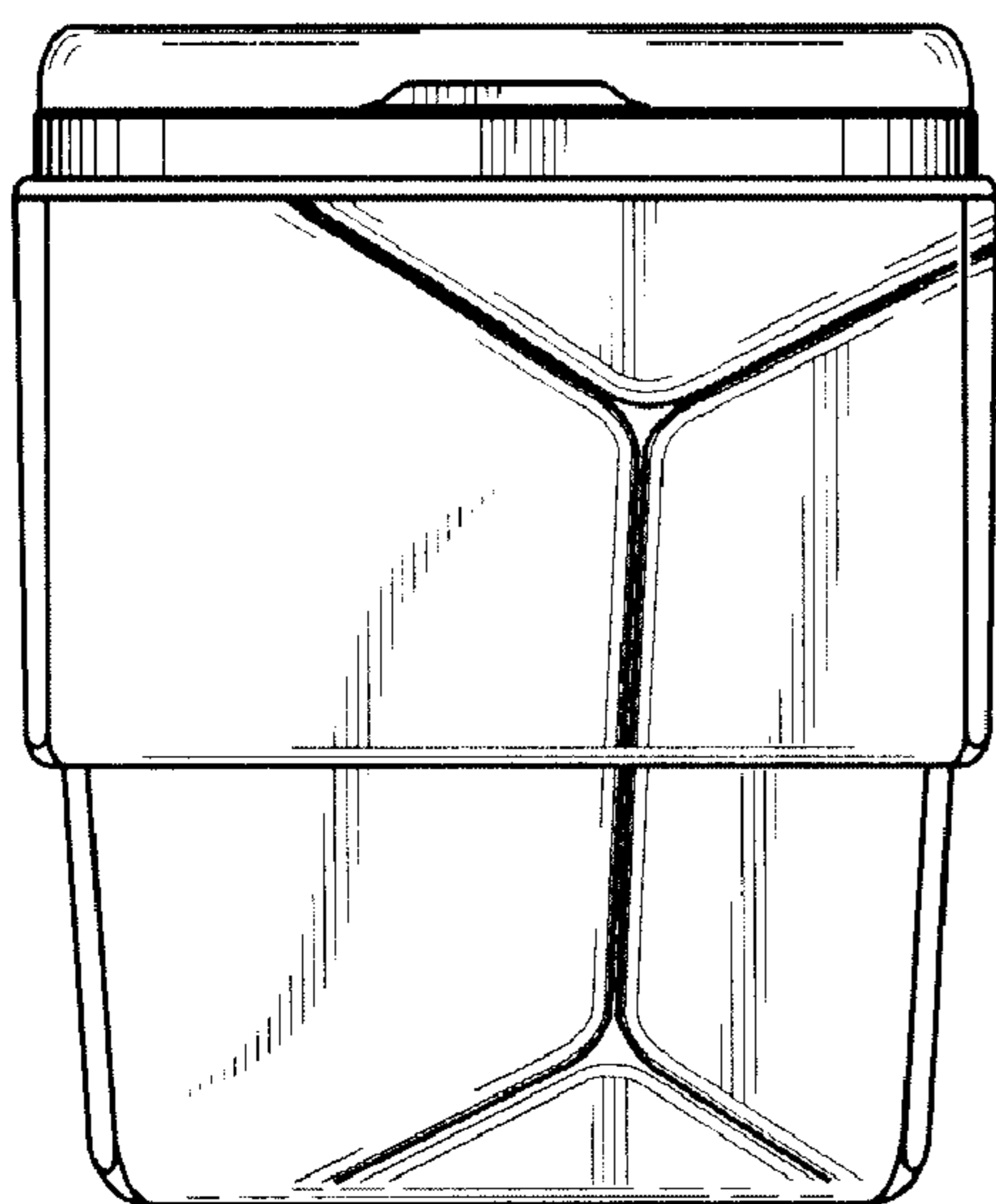


Fig. 4

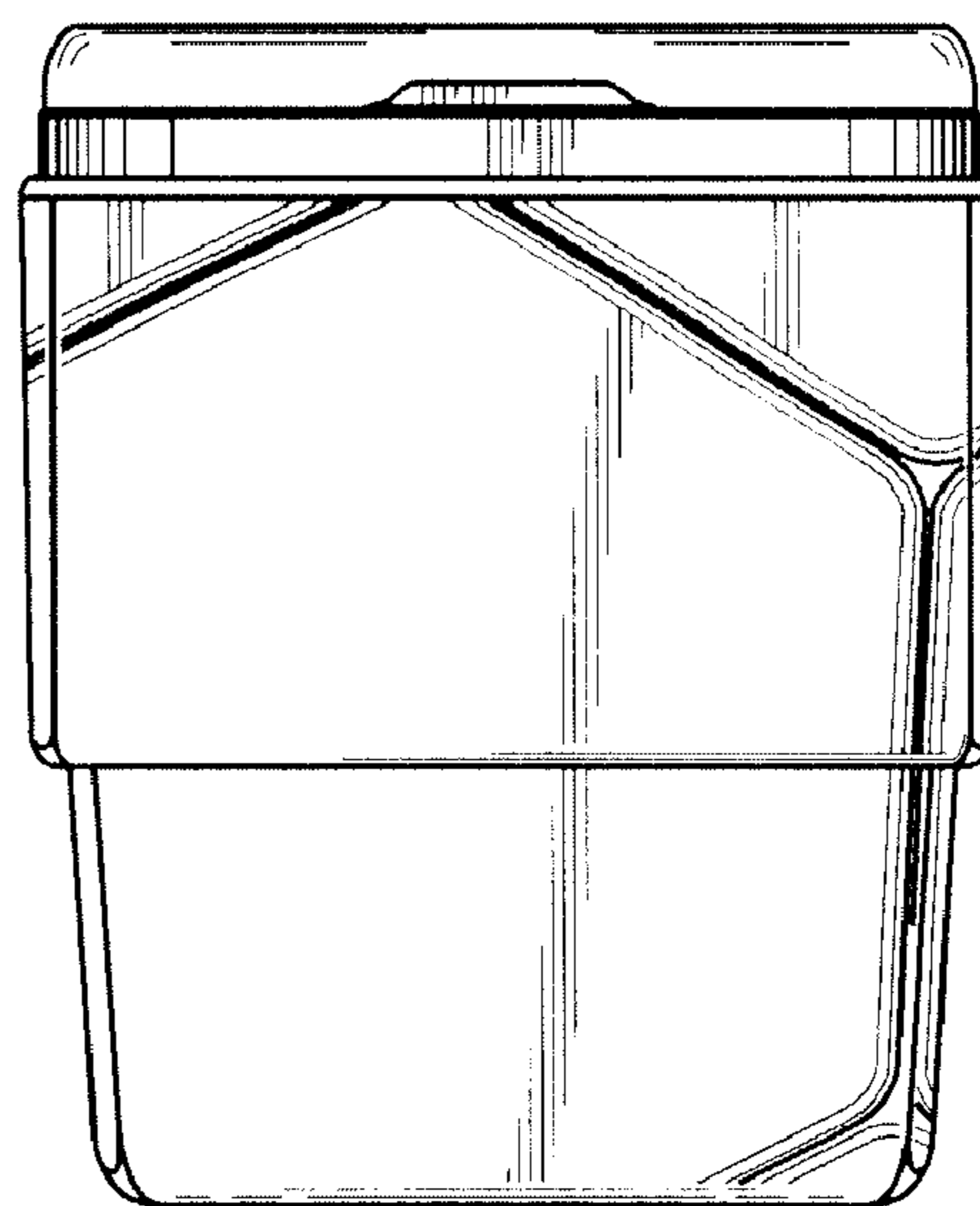


Fig. 5

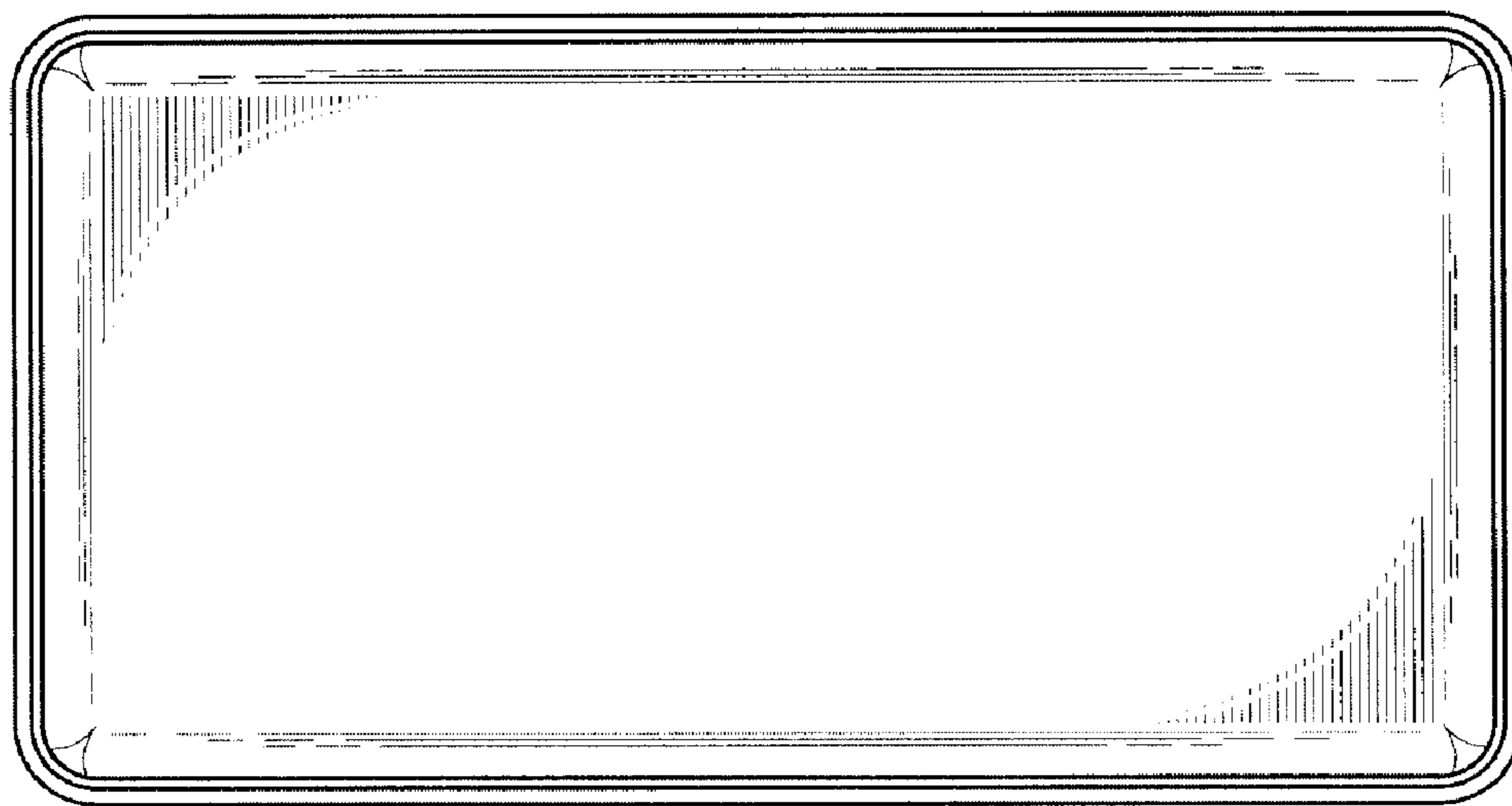


Fig. 6

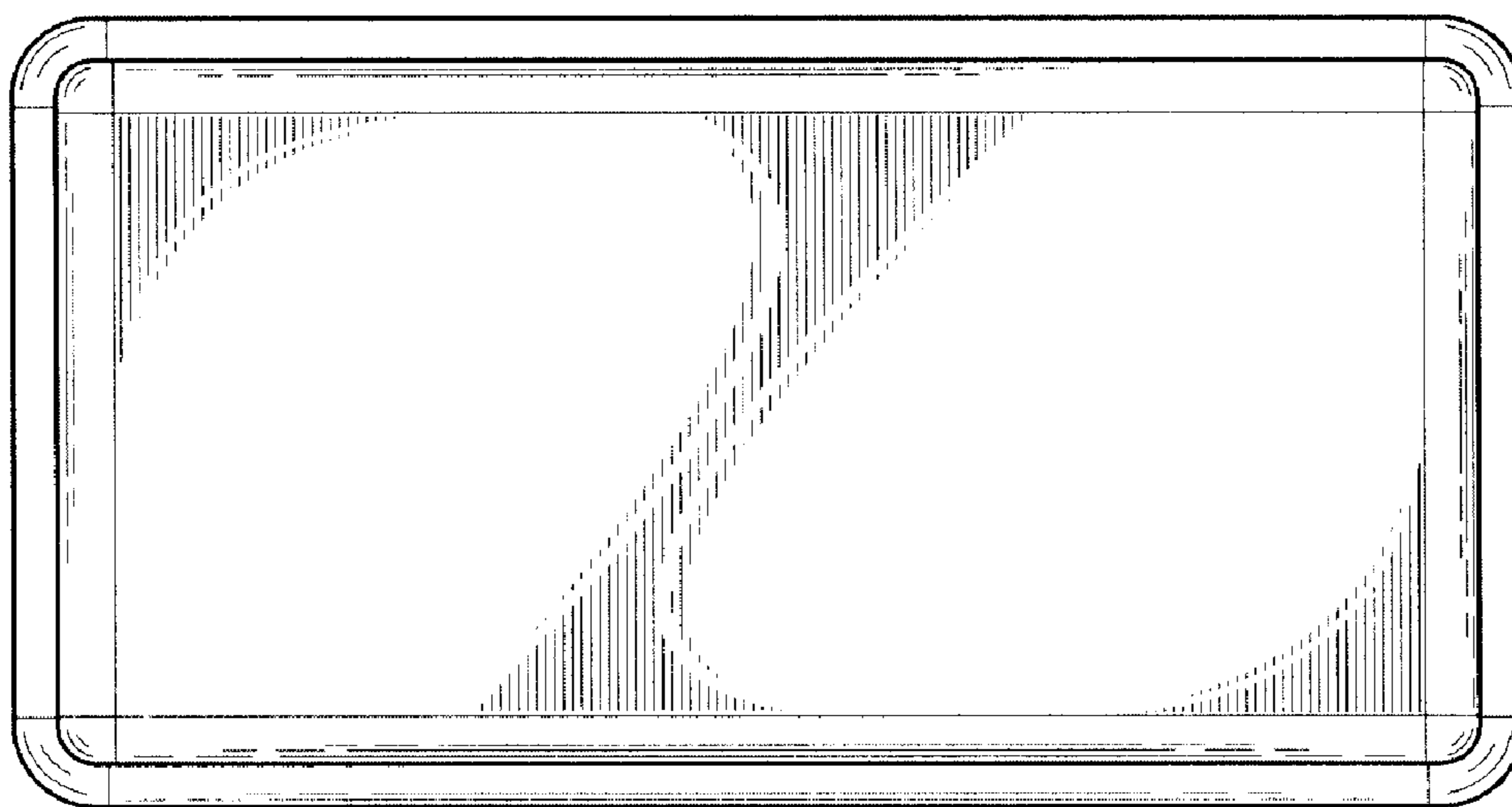


Fig. 7