



US00D521809S

(12) **United States Design Patent**
Cox

(10) **Patent No.:** **US D521,809 S**

(45) **Date of Patent:** **** May 30, 2006**

(54) **SPORTS-THEMED BEVERAGE CAN
INSULATOR AND HOLDER**

D409,135 S * 5/1999 Davis D12/420
D461,996 S * 8/2002 Liao D7/620

(76) Inventor: **Brett David Cox**, 6313 Baldwin Rd.,
Swartz Creek, MI (US) 48473

* cited by examiner

Primary Examiner—Terry A. Wallace

(74) *Attorney, Agent, or Firm*—Eric Hanscom

(**) Term: **14 Years**

(57) **CLAIM**

(21) Appl. No.: **29/224,213**

The ornamental design for a sports-themed beverage can insulator and holder, as shown.

(22) Filed: **Feb. 28, 2005**

DESCRIPTION

(51) **LOC (8) Cl.** **07-01**

(52) **U.S. Cl.** **D7/606; D7/624.2**

(58) **Field of Classification Search** D7/603–608,
D7/619.1–625; D12/420; 220/737, 739; 248/311.2,
248/309.1; 62/457.1–457.8

FIG. 1 is a front elevational view of a sports-themed beverage can insulator and holder showing my new design; FIG. 2 is a front view thereof; FIG. 3 is a left side view thereof; FIG. 4 is a top view thereof; FIG. 5 is a rear view thereof; FIG. 6 is a right side view thereof; and, FIG. 7 is a bottom thereof.

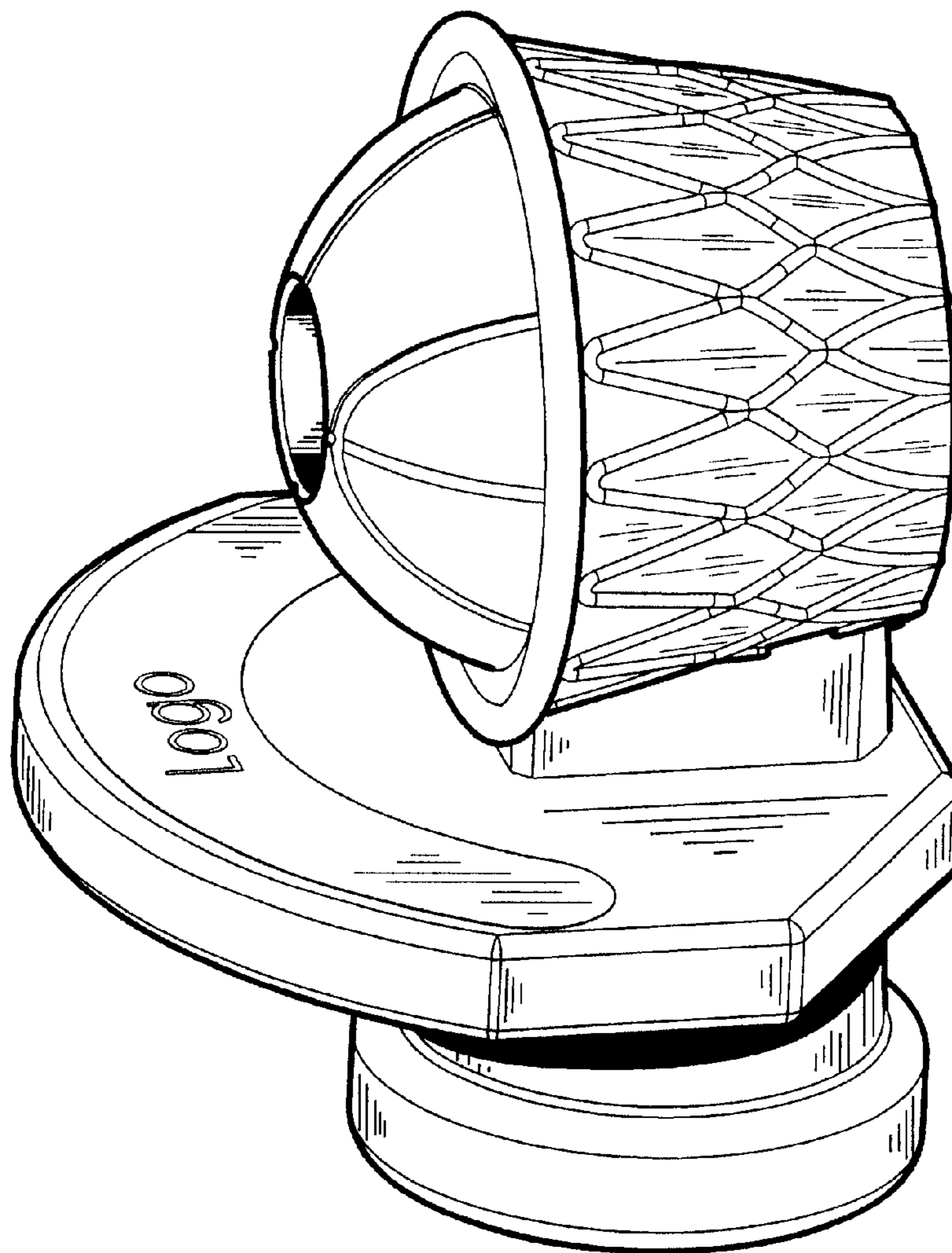
See application file for complete search history.

(56) **References Cited**

U.S. PATENT DOCUMENTS

D337,199 S * 7/1993 Ochs D12/420

1 Claim, 3 Drawing Sheets



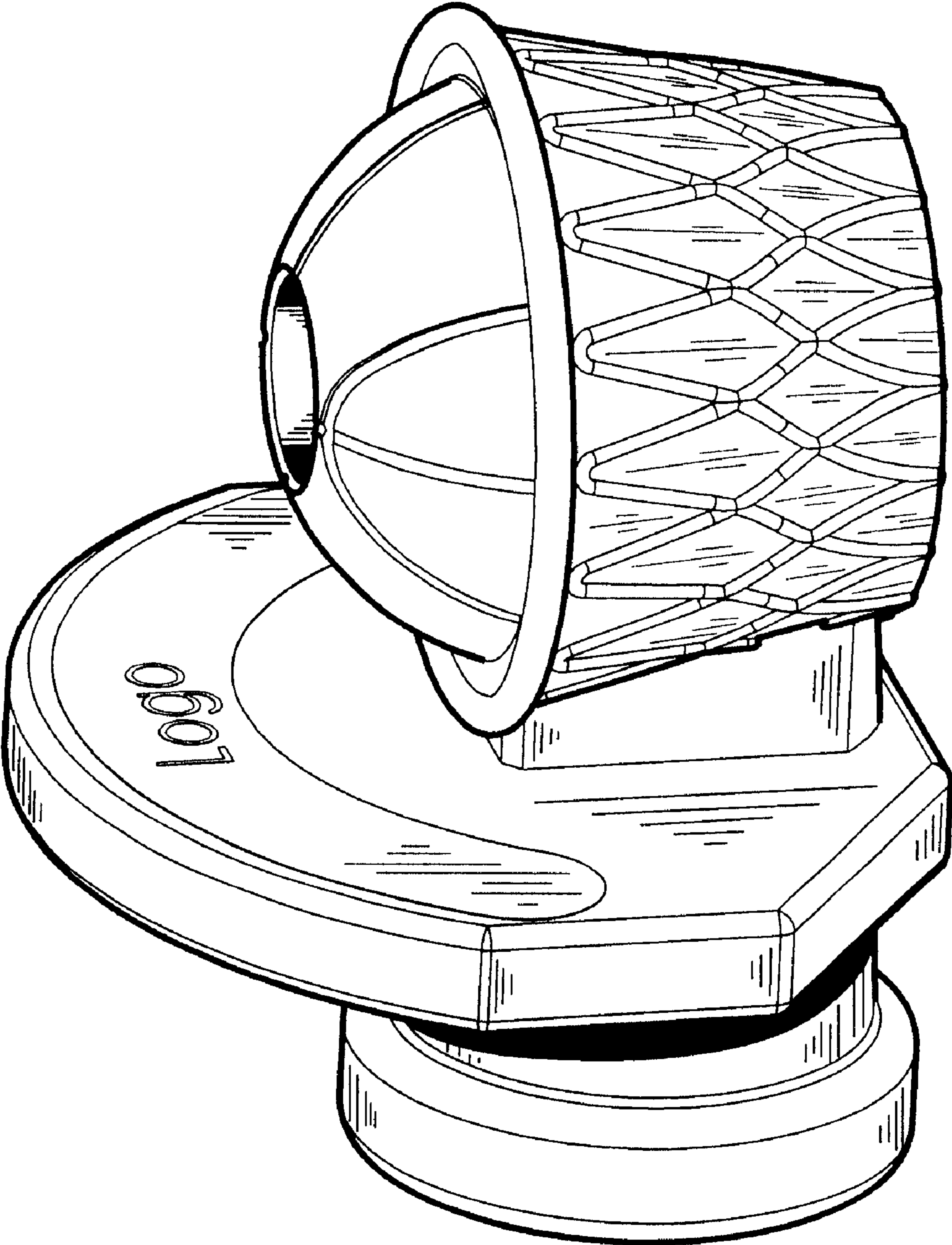


FIG. 1

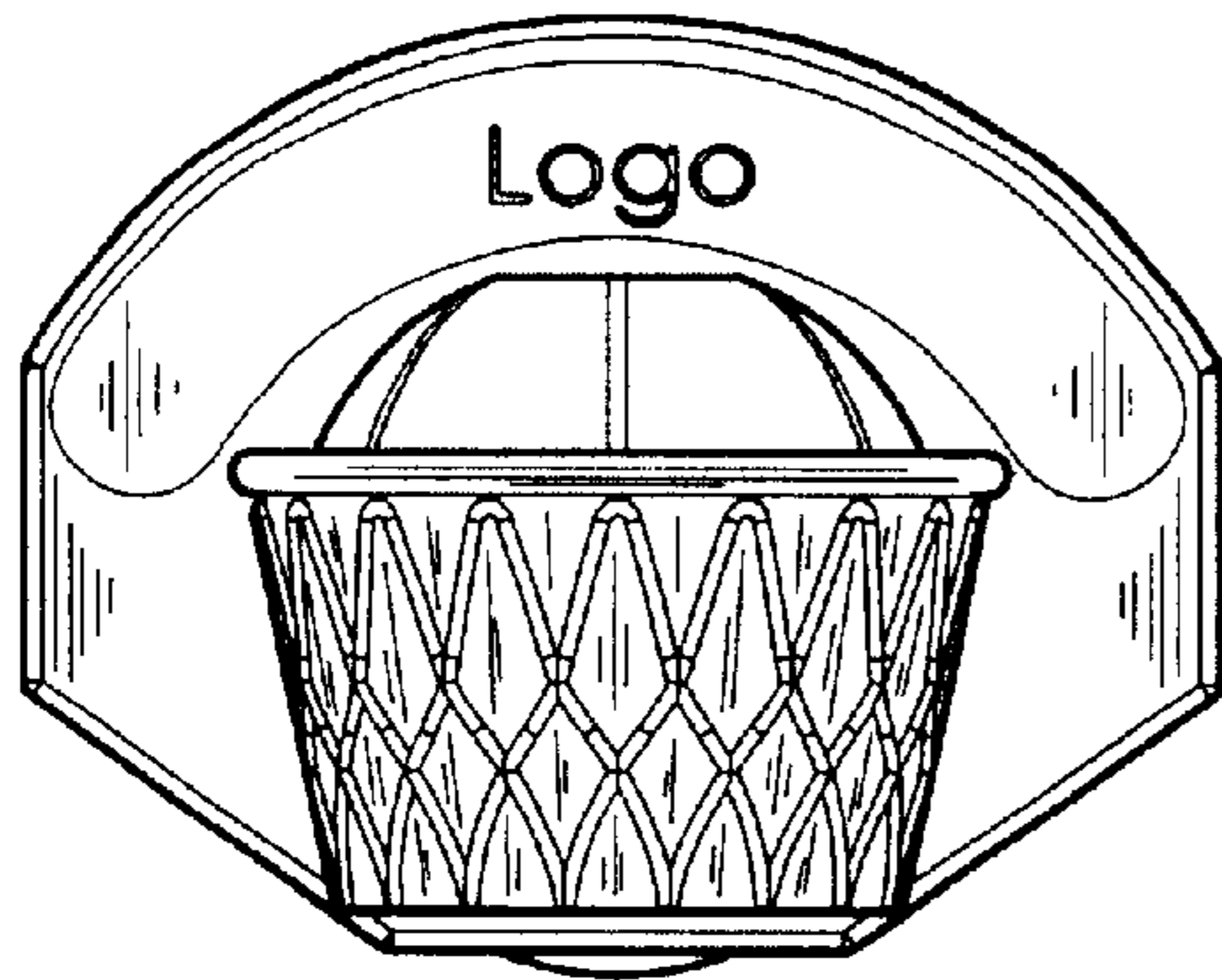


FIG. 2

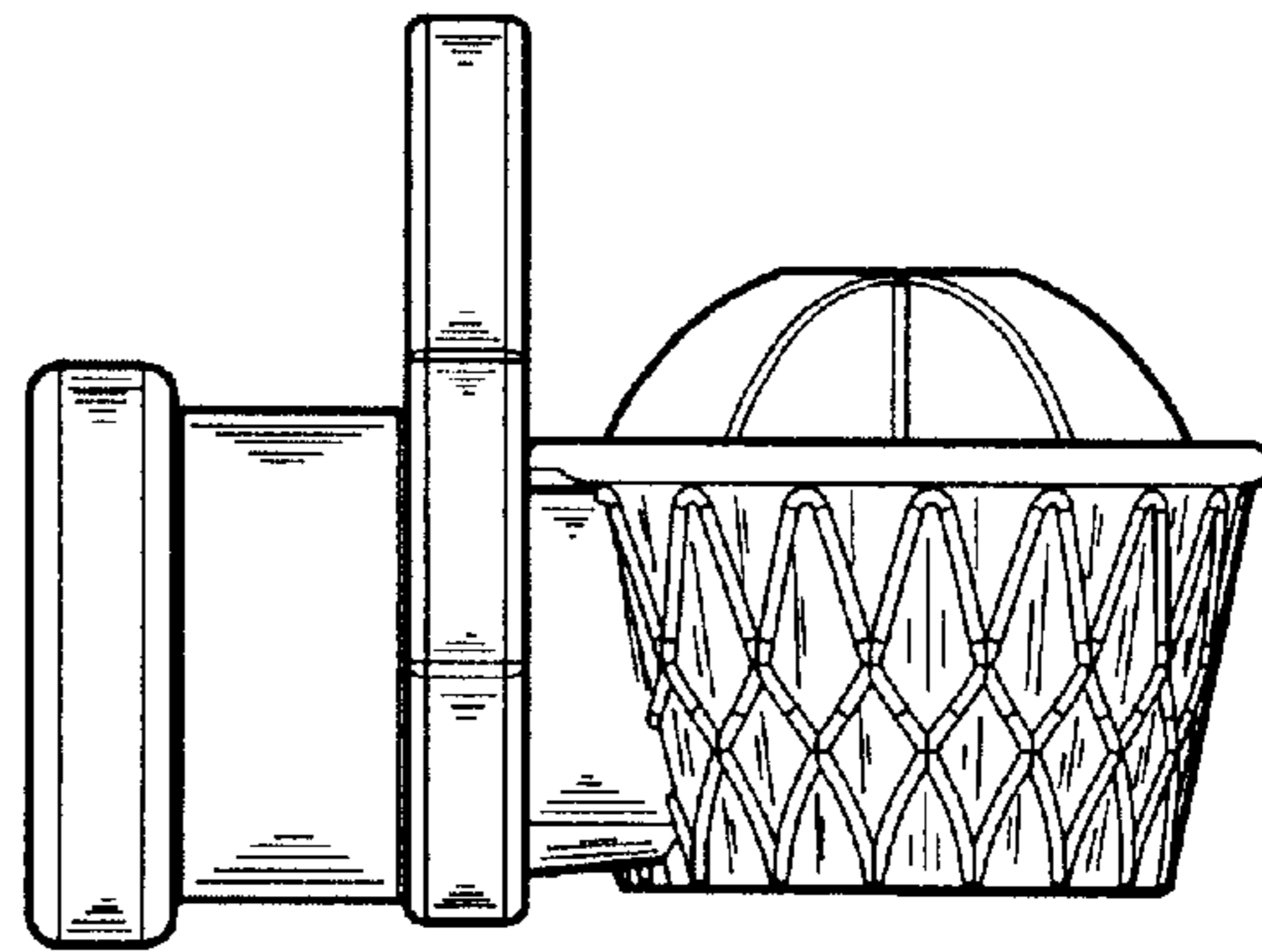


FIG. 3

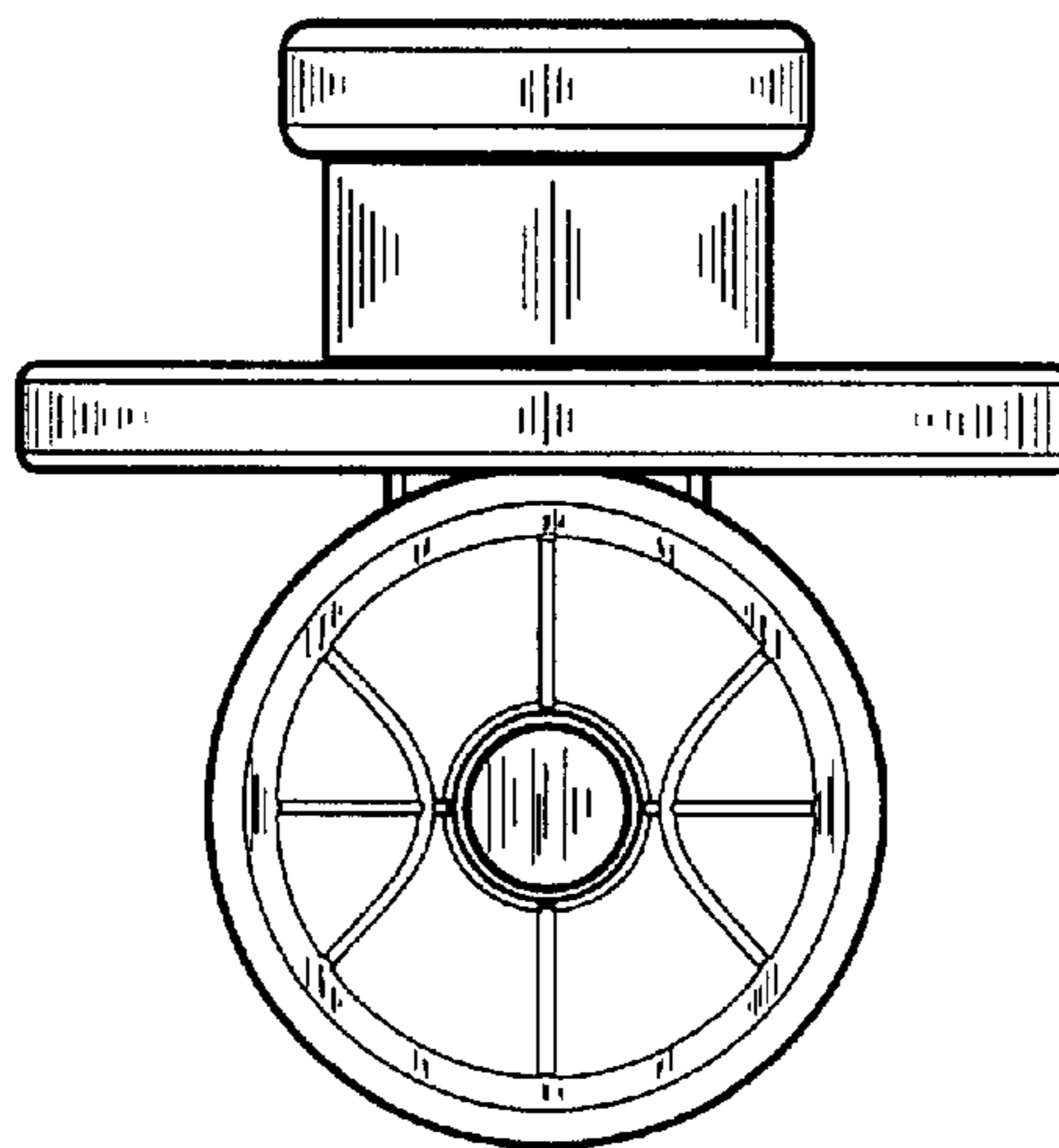


FIG. 4

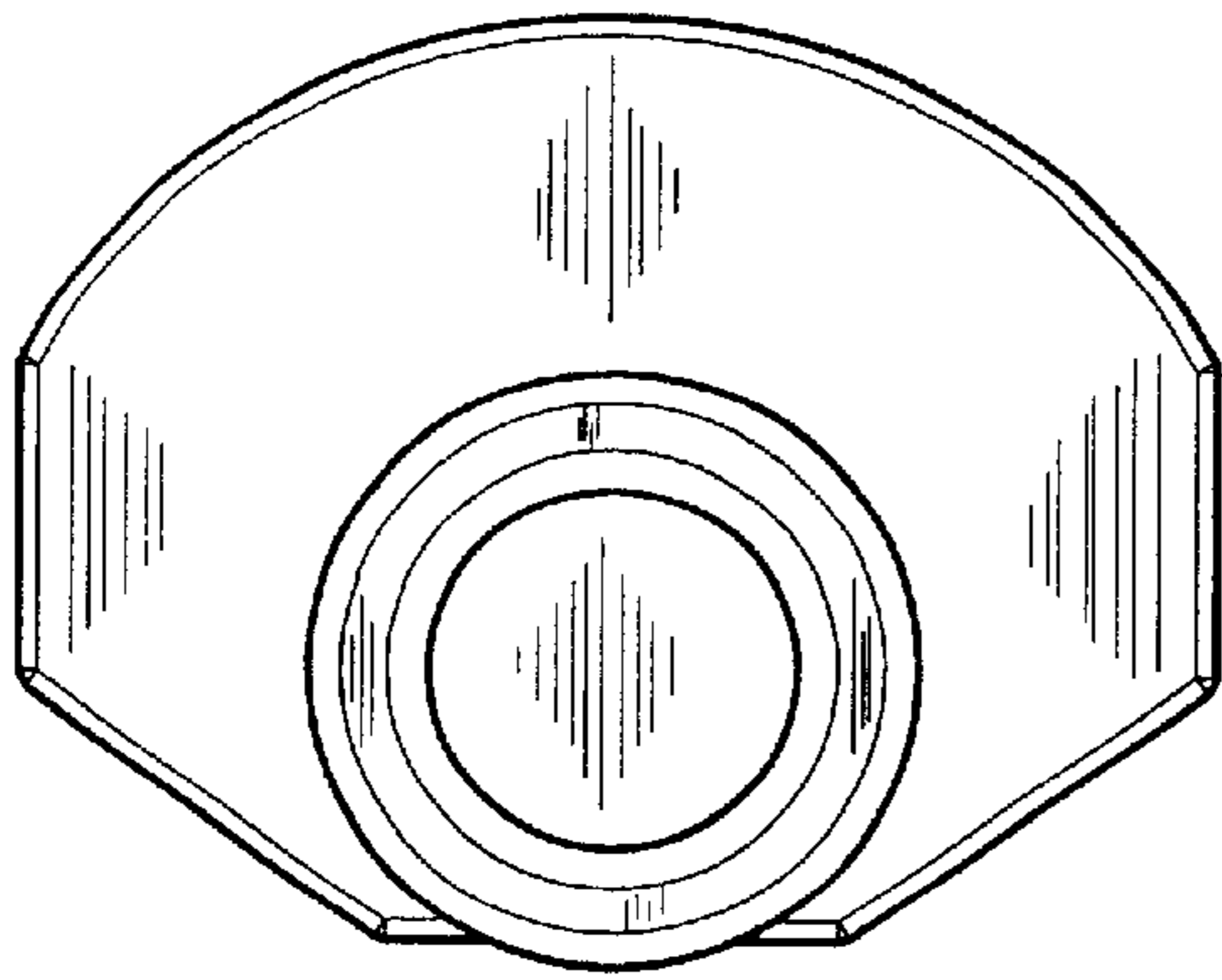


FIG. 5

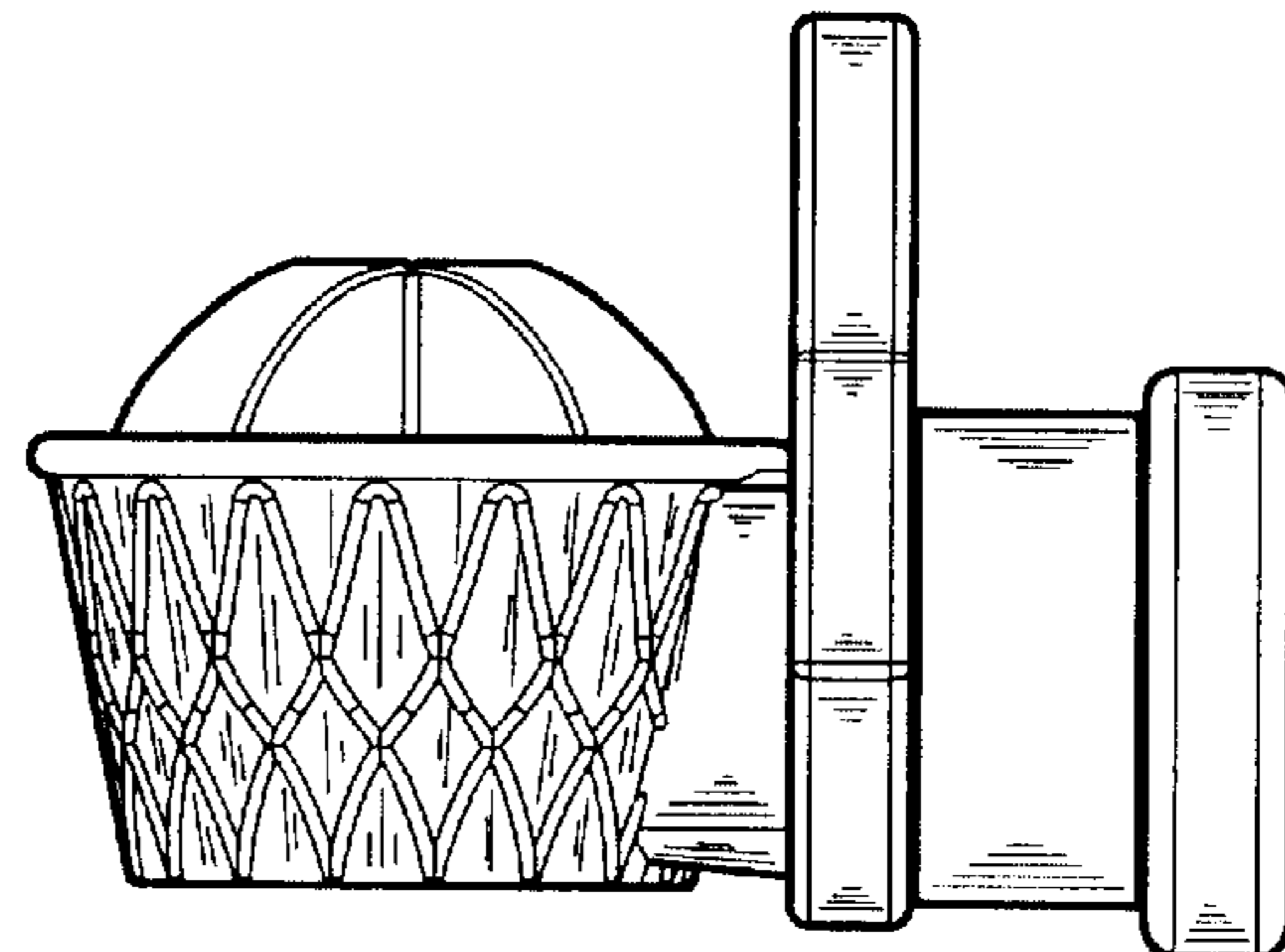


FIG. 6

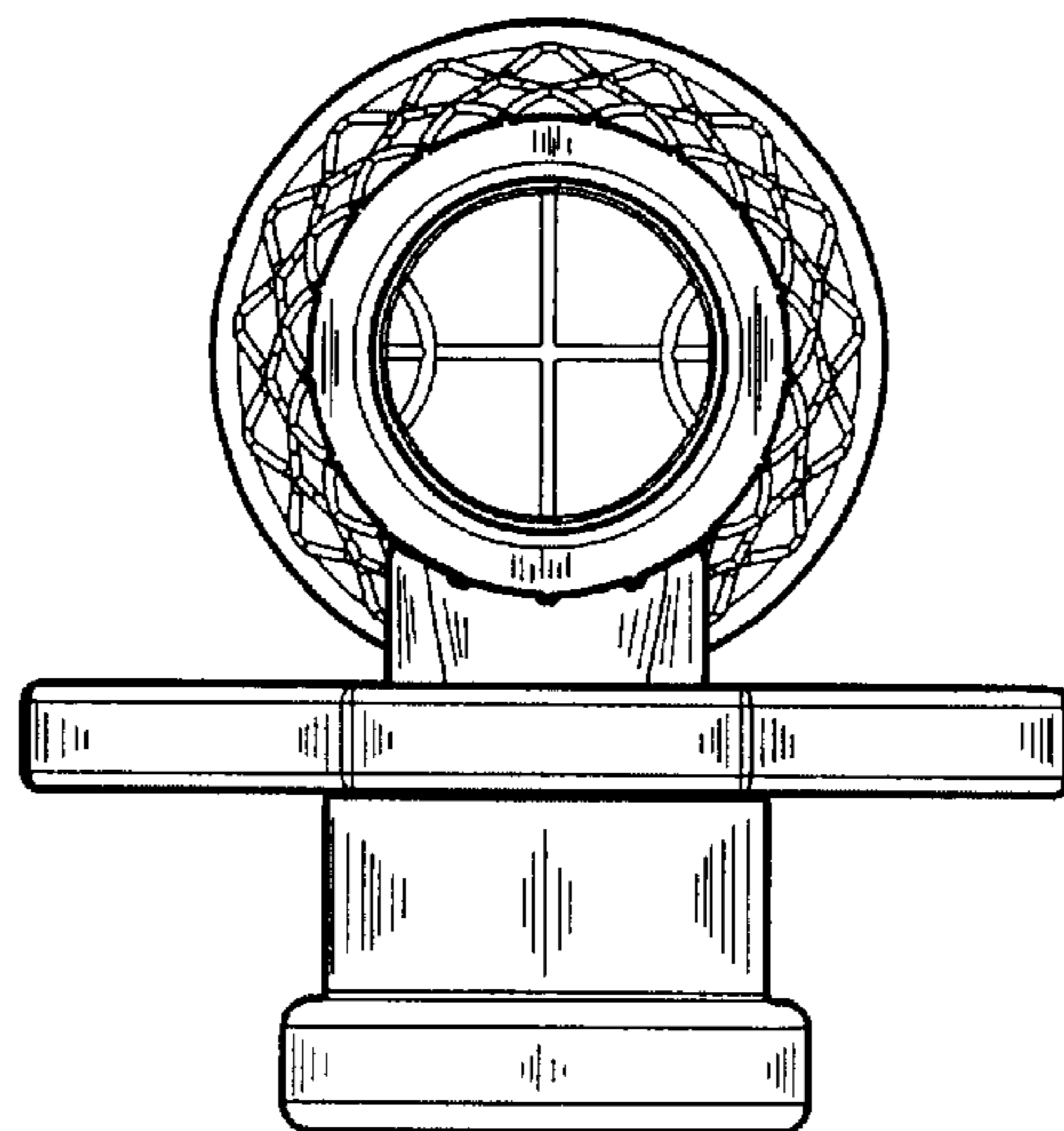


FIG. 7