



US00D521802S

(12) **United States Design Patent** (10) **Patent No.:** **US D521,802 S**
Sands (45) **Date of Patent:** **** May 30, 2006**

- (54) **MUG**
- (75) Inventor: **Lenny Sands**, Los Angeles, CA (US)
- (73) Assignee: **Homeland Housewares, LLC**, Los Angeles, CA (US)
- (**) Term: **14 Years**
- (21) Appl. No.: **29/229,421**
- (22) Filed: **May 6, 2005**

Related U.S. Application Data

- (60) Division of application No. 29/216,603, filed on Nov. 5, 2004, which is a division of application No. 29/205,079, filed on May 7, 2004, now Pat. No. Des. 500,633, which is a continuation-in-part of application No. 29/202,701, filed on Apr. 2, 2004, now Pat. No. Des. 501,759.
- (51) **LOC (8) Cl.** **07-01**
- (52) **U.S. Cl.** **D7/396.2; D7/510; D7/536**
- (58) **Field of Classification Search** **D7/533, D7/536, 510, 511, 507, 531, 509, 396.2, 376, D7/377, 378, 412, 413, 415; 366/199, 197, 366/251, 314, 205, 206, 130; 215/390, 387, 215/398; 312/390; 241/282.2, 282.1, 195, 241/301**

See application file for complete search history.

(56) **References Cited**

U.S. PATENT DOCUMENTS

- 2,299,730 A 10/1942 Bornstein
- 2,304,476 A * 12/1942 Poplawski 241/282.2
- D178,593 S * 8/1956 Cervený et al. D7/413
- 3,064,949 A 11/1962 Dewenter
- 3,085,710 A 4/1963 McIlroy
- 3,315,946 A 4/1967 Nissman
- 3,537,691 A * 11/1970 Miyoshi et al. 241/282.2
- D220,416 S * 4/1971 Folden D7/413

- 3,612,126 A * 10/1971 Emmons et al. 241/199.12
- 3,704,864 A 12/1972 Lee
- 3,881,705 A 5/1975 Greenspan
- 4,480,926 A 11/1984 Lattery, Jr. et al.
- 4,487,509 A 12/1984 Boyce
- 4,708,487 A 11/1987 Marshall
- 4,889,248 A 12/1989 Bennett
- 5,720,552 A 2/1998 Schindlegger
- 5,823,672 A * 10/1998 Barker 366/205
- D470,050 S 2/2003 Renz et al.
- 6,666,574 B1 * 12/2003 Pryor 366/205
- D487,668 S * 3/2004 Sands D7/378
- 6,786,440 B1 * 9/2004 Ling et al. 241/301
- 6,817,750 B1 * 11/2004 Sands 366/205
- D499,606 S * 12/2004 Feil D7/413
- 2001/0036124 A1 11/2001 Rubenstein

OTHER PUBLICATIONS

- <http://www.kissmixer.com/order/order1.htm> (attached hereto).
- <http://www.kissmixer.com/feature/feature1.htm> (2 pages) (attached hereto).

* cited by examiner

Primary Examiner—M. N. Pandozzi
(74) *Attorney, Agent, or Firm*—Cislo & Thomas, LLP

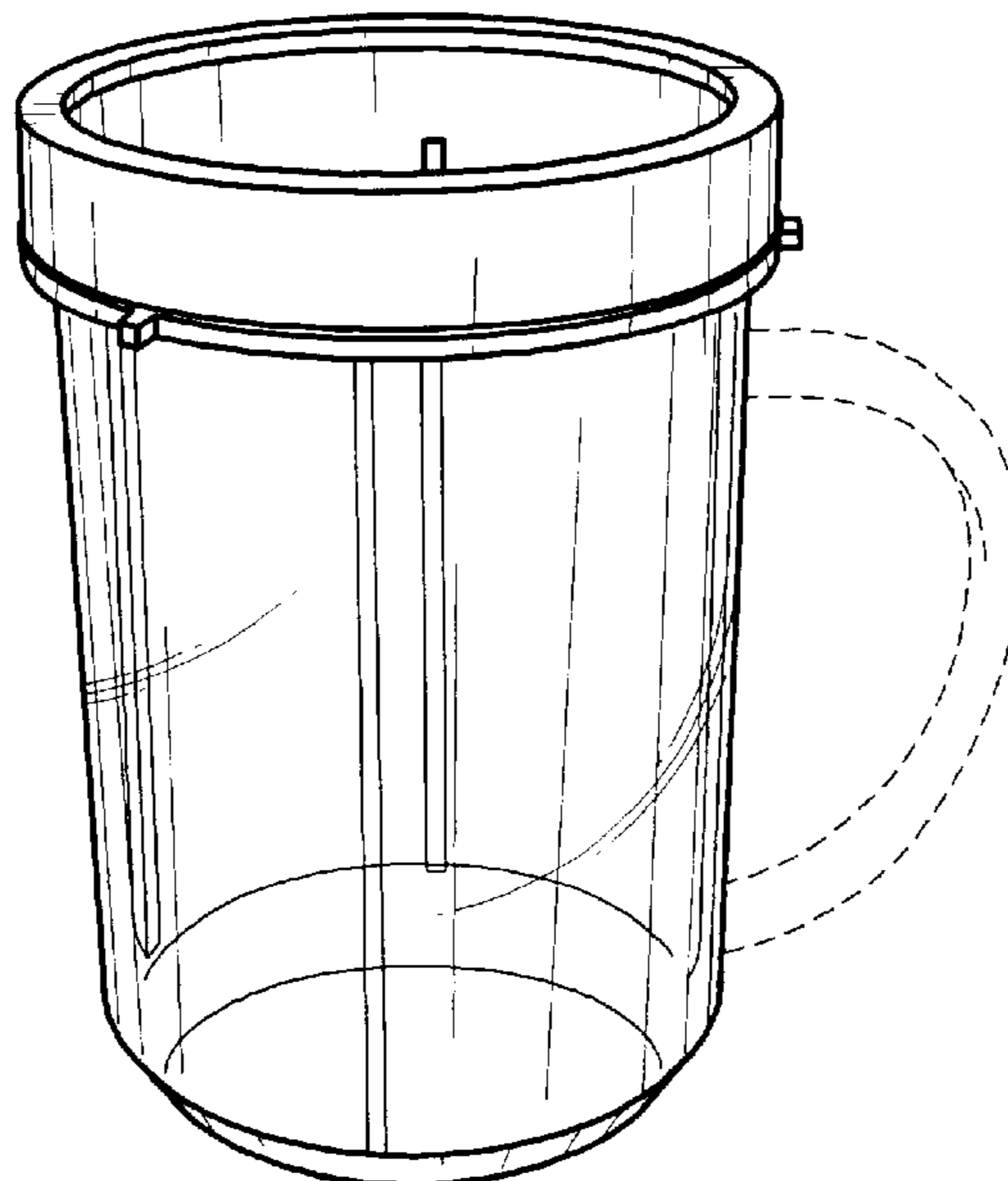
(57) **CLAIM**

The ornamental design for mug, as shown and described herein.

DESCRIPTION

FIG. 1 is a perspective view of a mug showing my new design; and, FIG. 2 is a perspective view of a mug showing a second embodiment of my new design. The broken line portions of the disclosure are for illustrative purposes only and form no part of the claimed design.

1 Claim, 1 Drawing Sheet



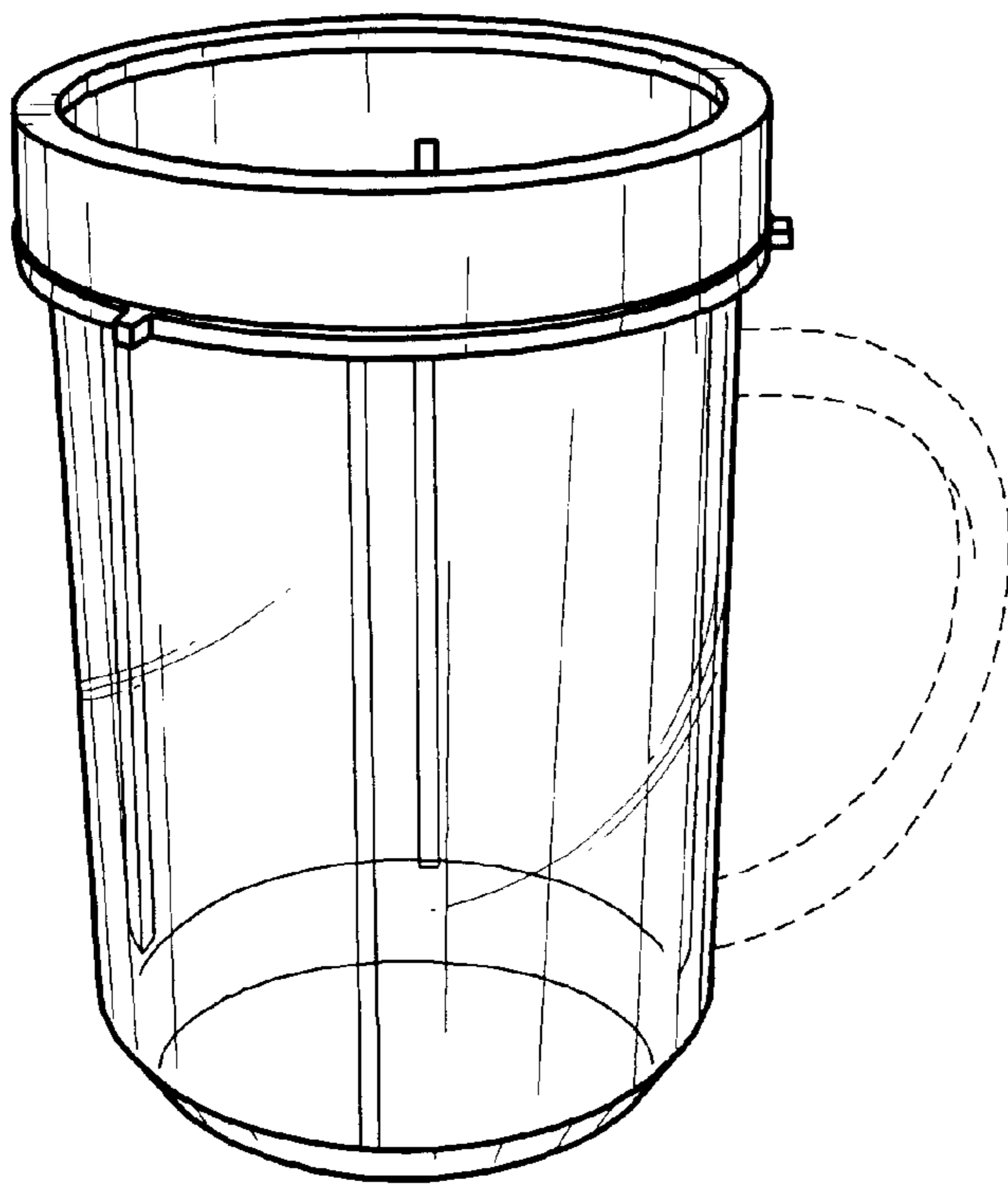


FIG. 1

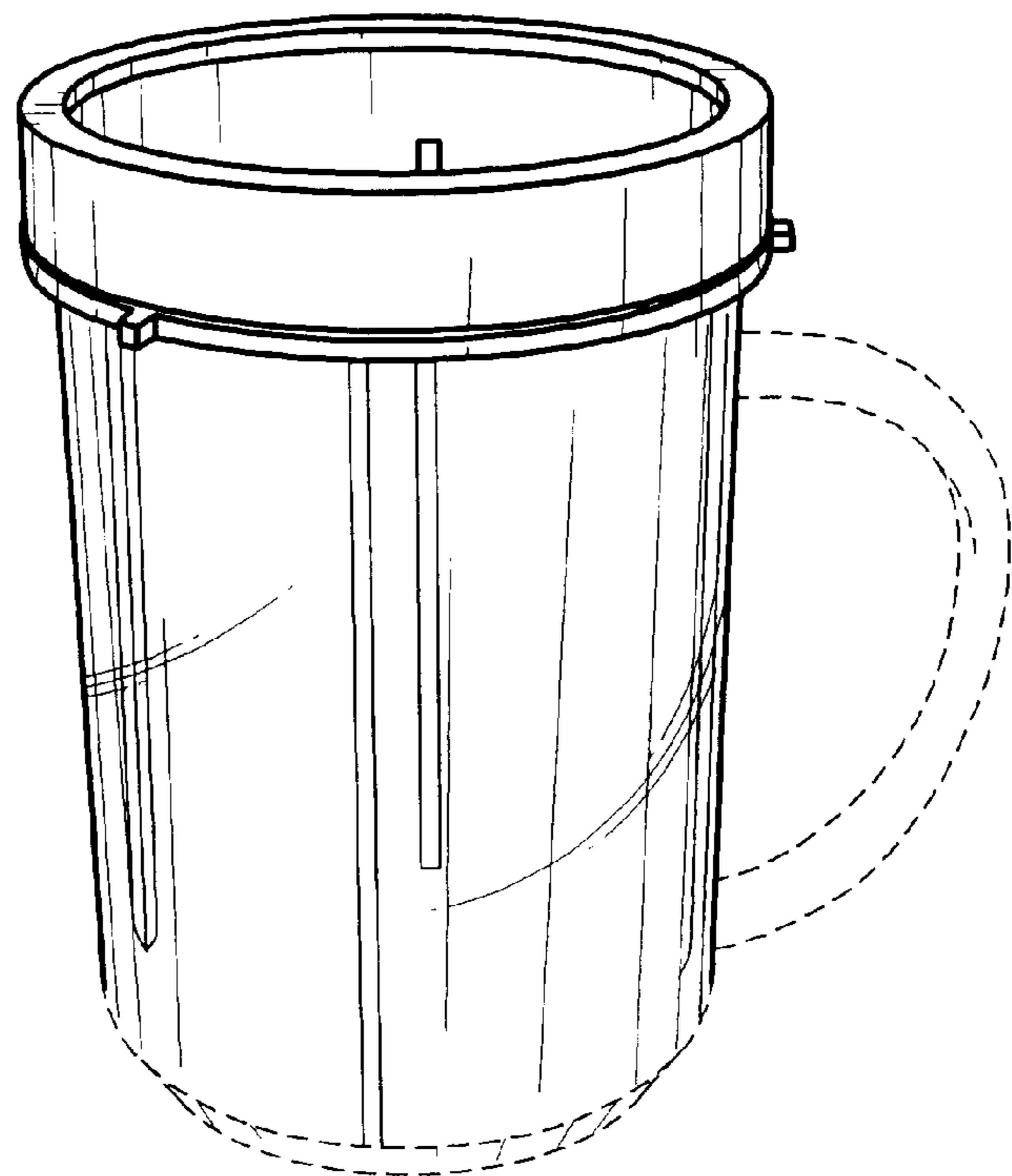


FIG. 2