



US00D521800S

(12) **United States Design Patent**
Wong et al.

(10) **Patent No.:** **US D521,800 S**

(45) **Date of Patent:** **** May 30, 2006**

(54) **MICROWAVE OVEN**

(75) Inventors: **Allen D. Wong**, St. Joseph, MI (US);
John F. Hines, Stevensville, MI (US);
Laura E. Vennie, Holland, MI (US);
Eric C. Irwin, St. Joseph, MI (US);
Renee M. Garnham, Dearborn, MI (US)

(73) Assignee: **Whirlpool Corporation**, Benton Harbor, MI (US)

(**) Term: **14 Years**

(21) Appl. No.: **29/225,532**

(22) Filed: **Mar. 17, 2005**

(51) **LOC (8) Cl.** **07-02**

(52) **U.S. Cl.** **D7/351**

(58) **Field of Classification Search** D7/350.1,
D7/350.2, 350.3, 350.4, 351, 402-403, 405-406;
126/19 M, 275 E, 273 A; 219/756-758, 391,
219/402, 393; 99/DIG. 14

See application file for complete search history.

(56) **References Cited**

U.S. PATENT DOCUMENTS

D339,024 S * 9/1993 Ichihara et al. D7/351
D431,957 S * 10/2000 Taira D7/351
D436,285 S * 1/2001 Taira D7/351

D439,468 S * 3/2001 Kim D7/351
D463,199 S * 9/2002 Choi D7/351
D509,399 S * 9/2005 Kanza D7/351
D510,229 S * 10/2005 Bengtson et al. D7/351

* cited by examiner

Primary Examiner—Ruth McNroy

(74) *Attorney, Agent, or Firm*—Clifton G. Green; Rice O. Rice; John F. Colligan

(57) **CLAIM**

We claim the ornamental design for a microwave oven, as shown and described.

DESCRIPTION

FIG. 1 is a front perspective view of a microwave oven showing our new design;

FIG. 2 is a front elevational view thereof;

FIG. 3 is a right side elevational view, the left side being a mirror image thereof;

FIG. 4 is a top plan view thereof;

FIG. 5 is a front perspective view of a second embodiment thereof;

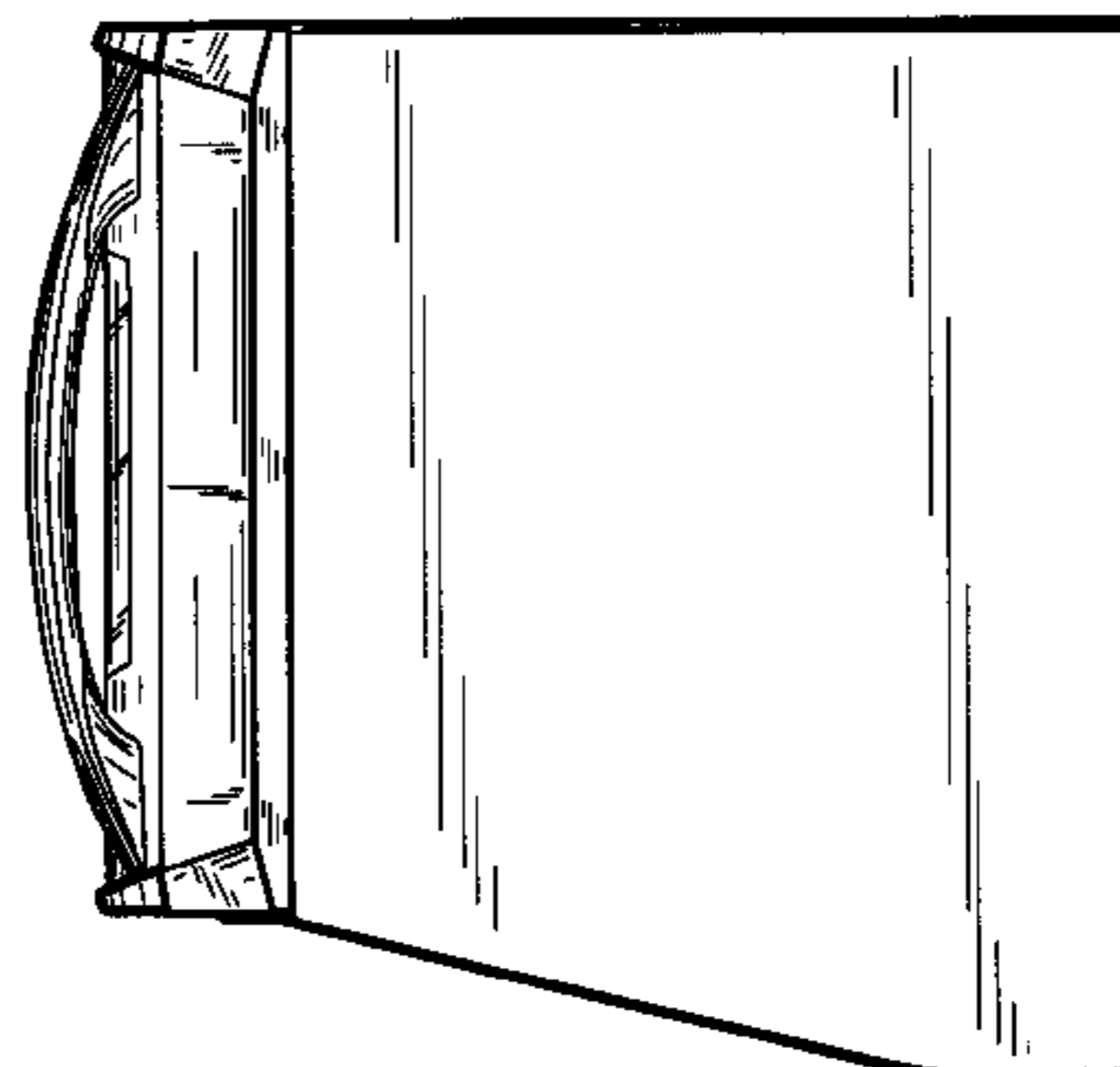
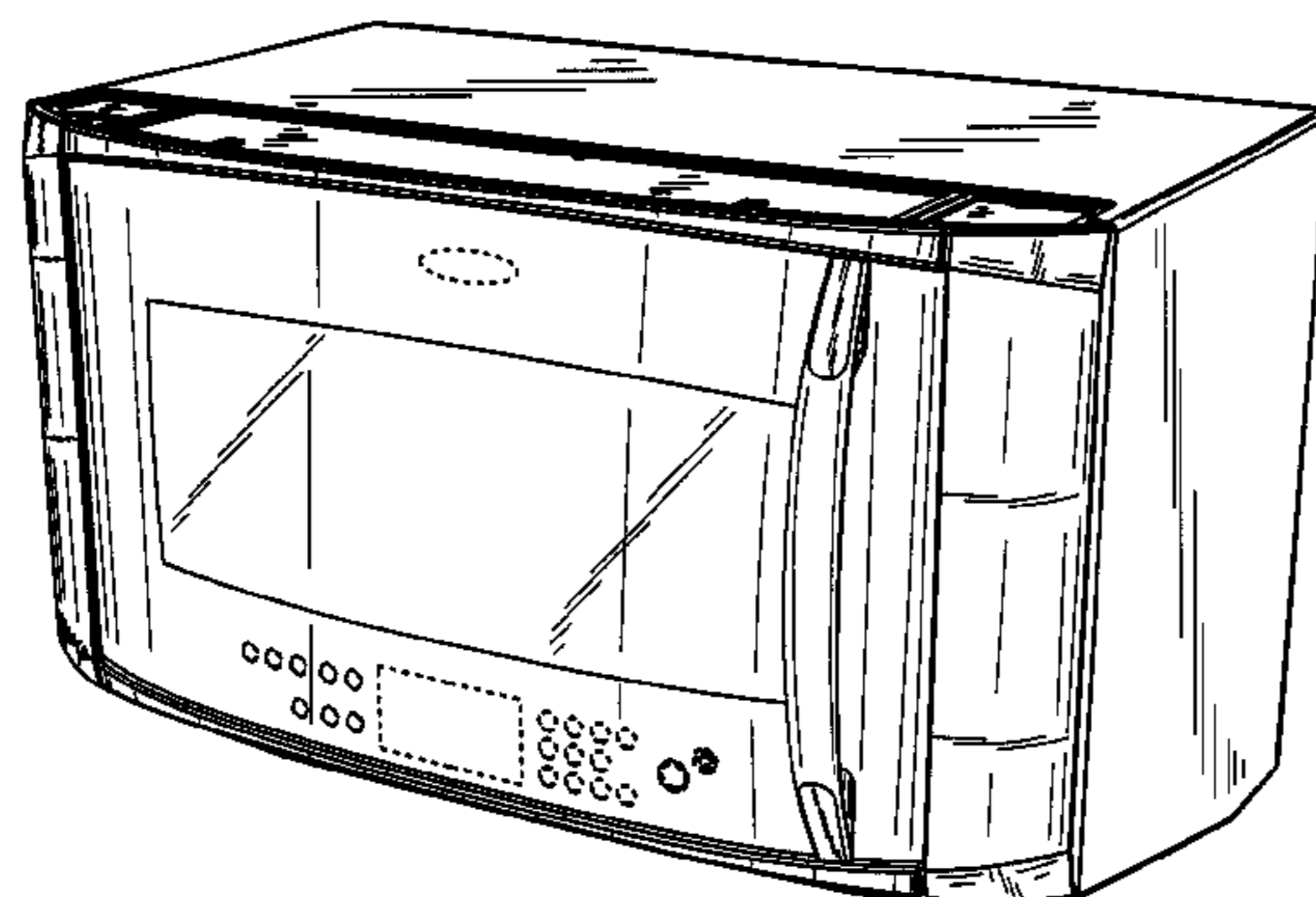
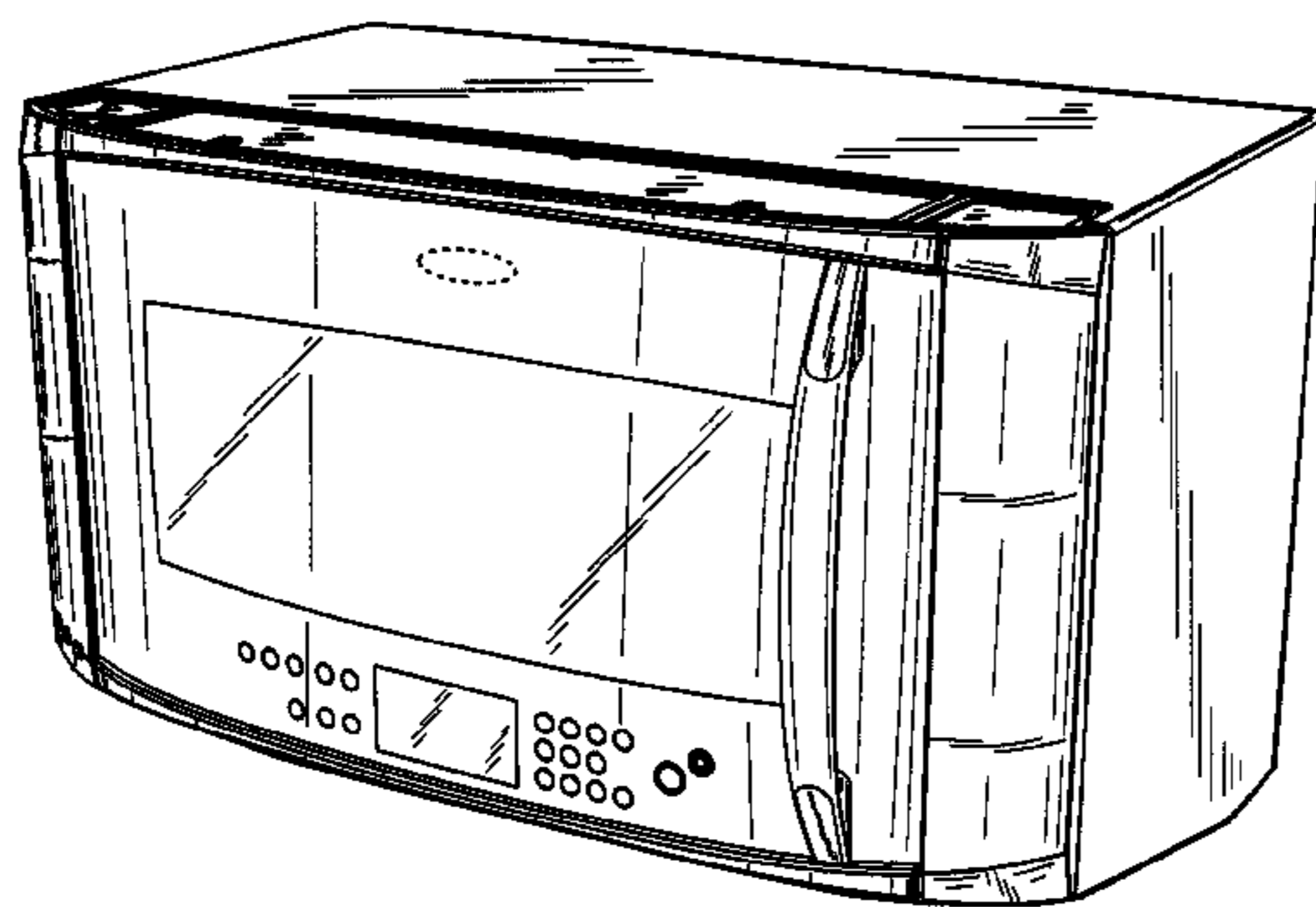
FIG. 6 is a front elevational view thereof;

FIG. 7 is a right side elevational view, the left side being a mirror image thereof; and,

FIG. 8 is a top plan view thereof.

The portions shown in broken lines are for illustrative purposes only and form no part of the claimed design.

1 Claim, 6 Drawing Sheets



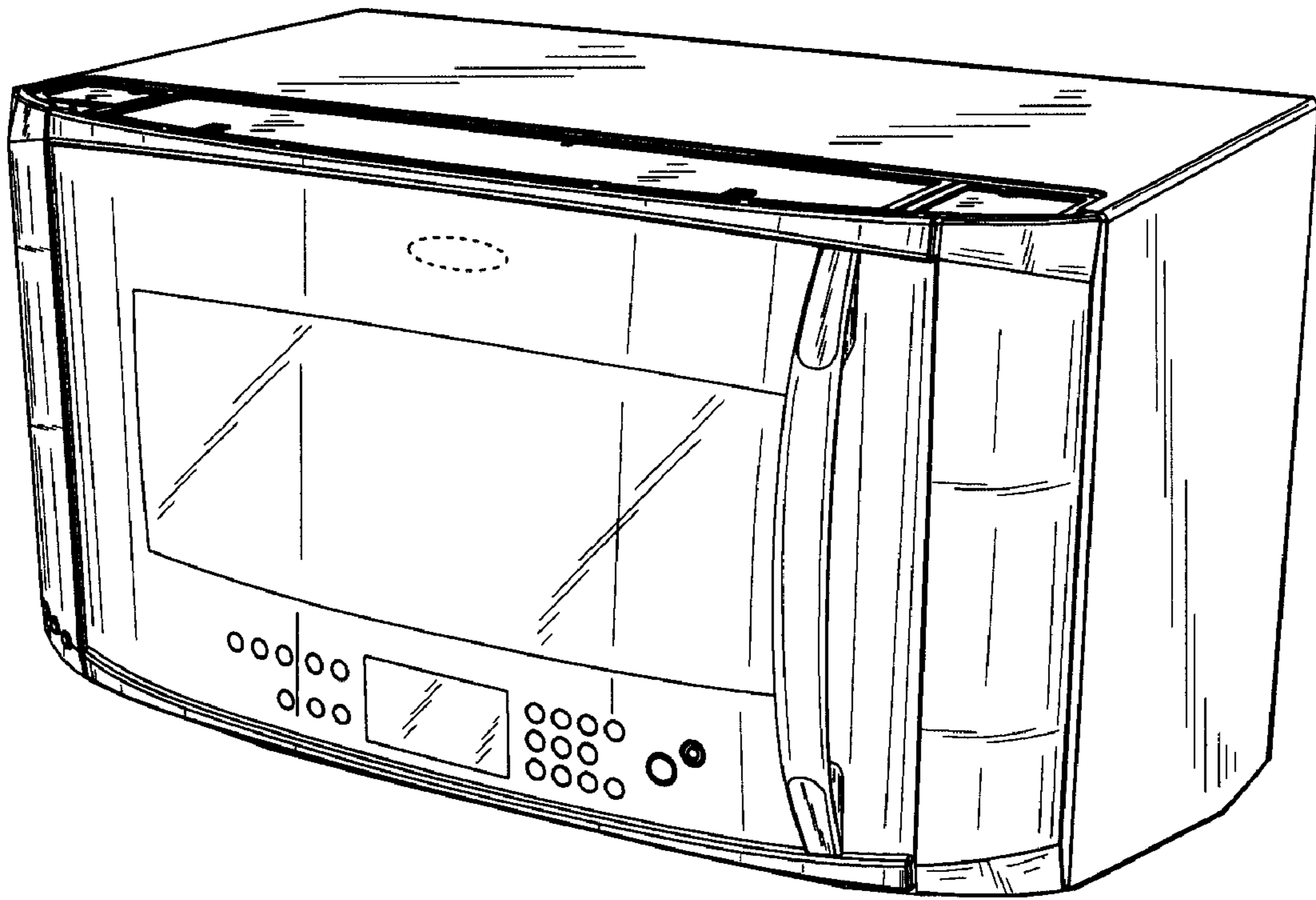


Fig. 1

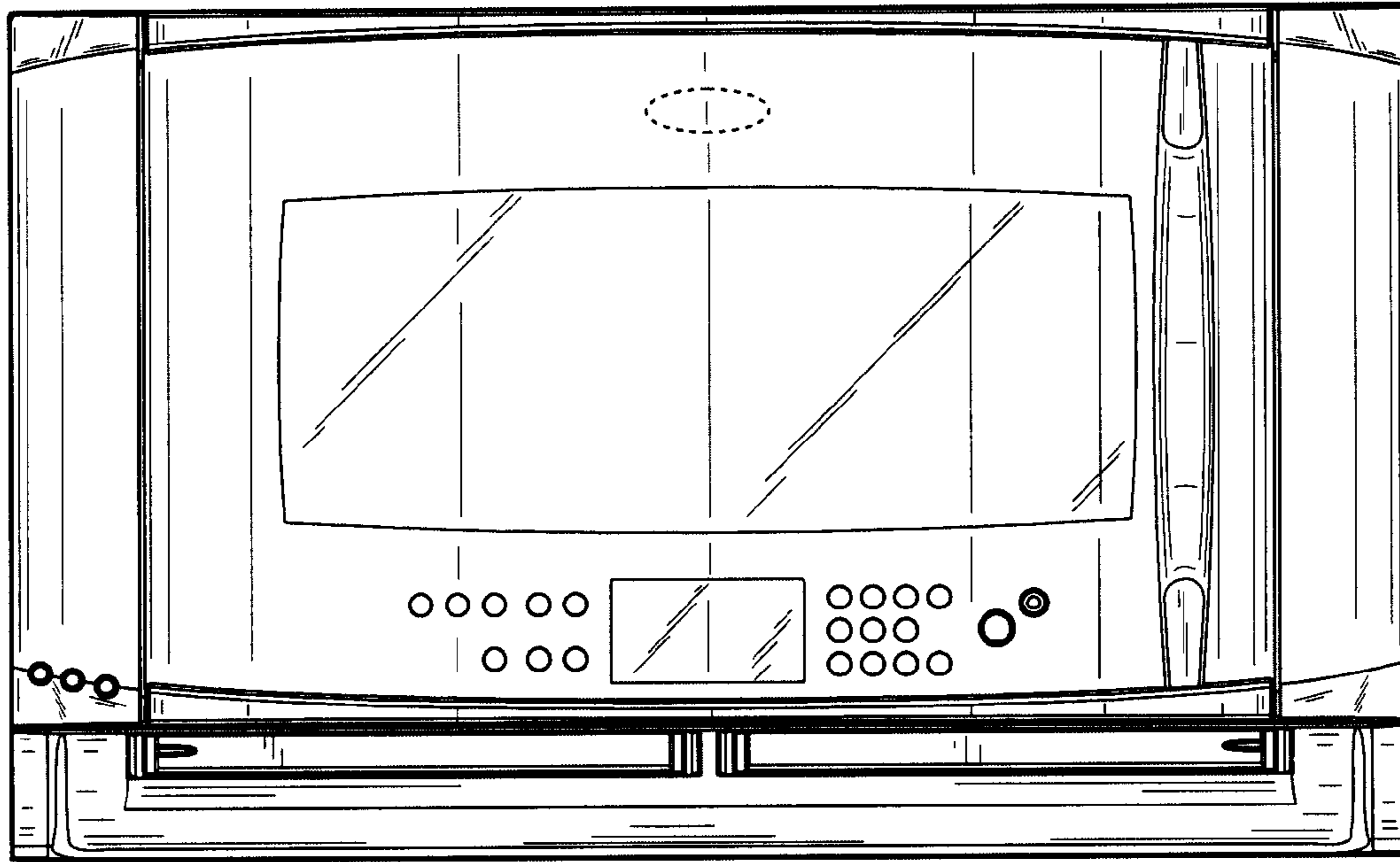


Fig. 2

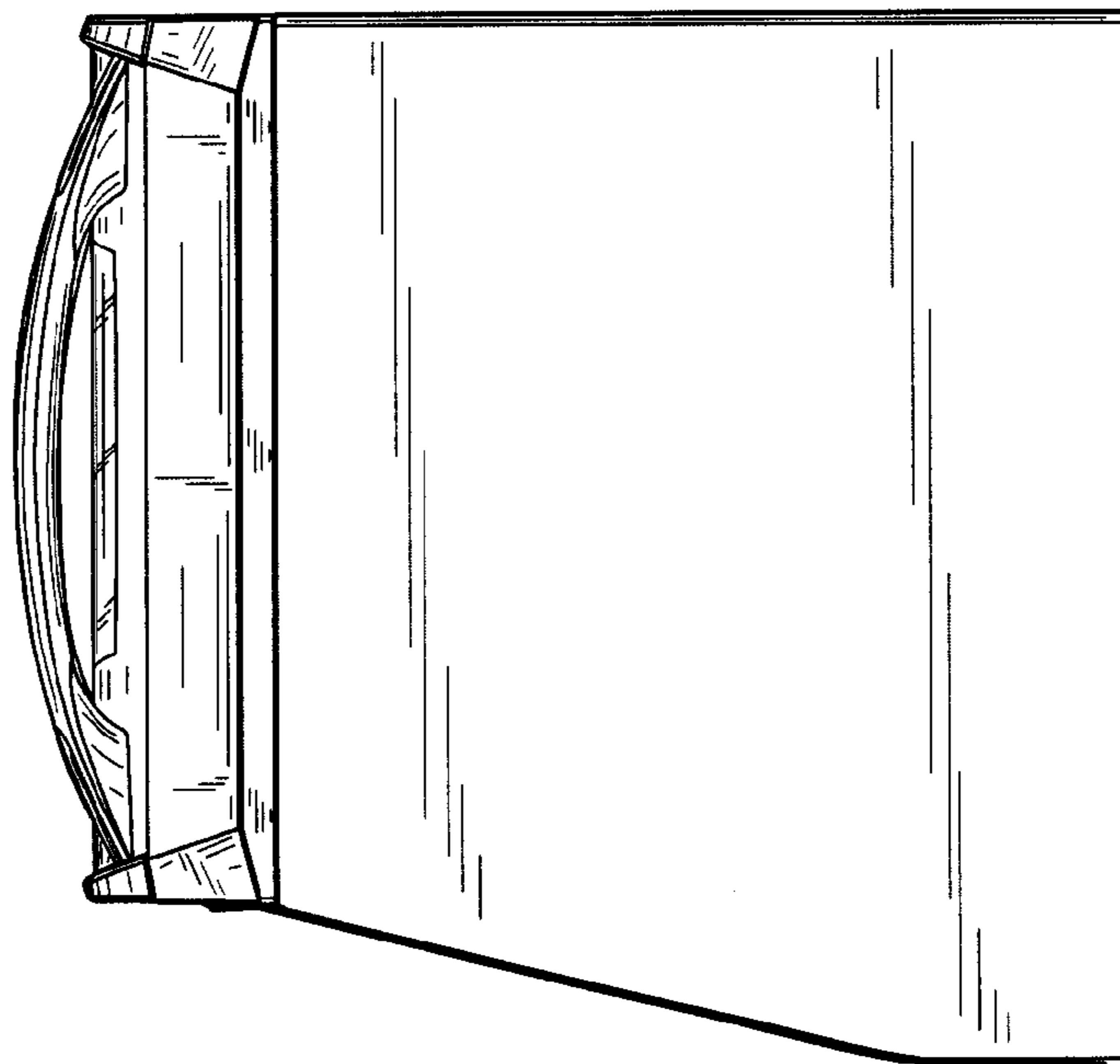


Fig. 3

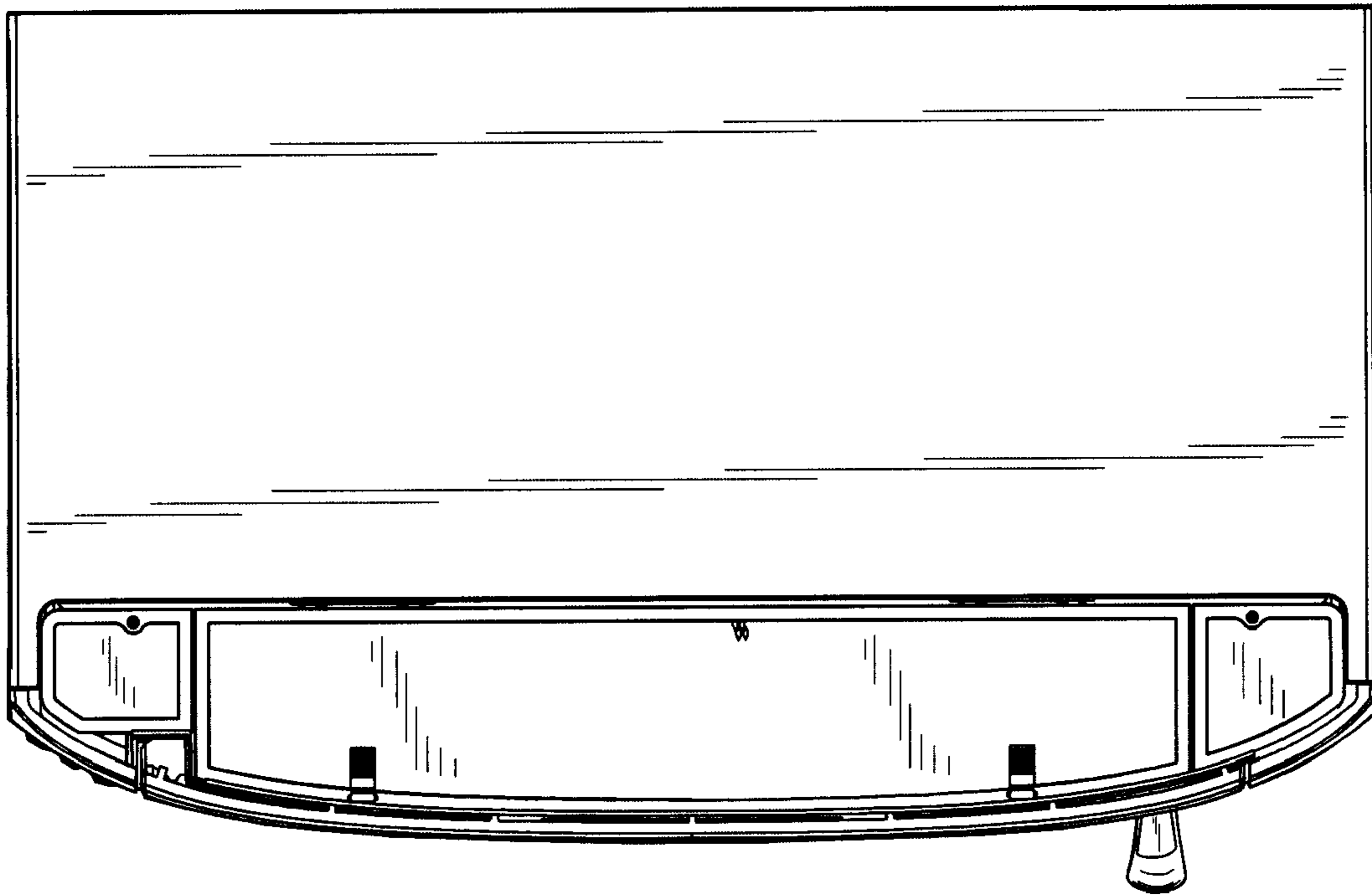


Fig. 4

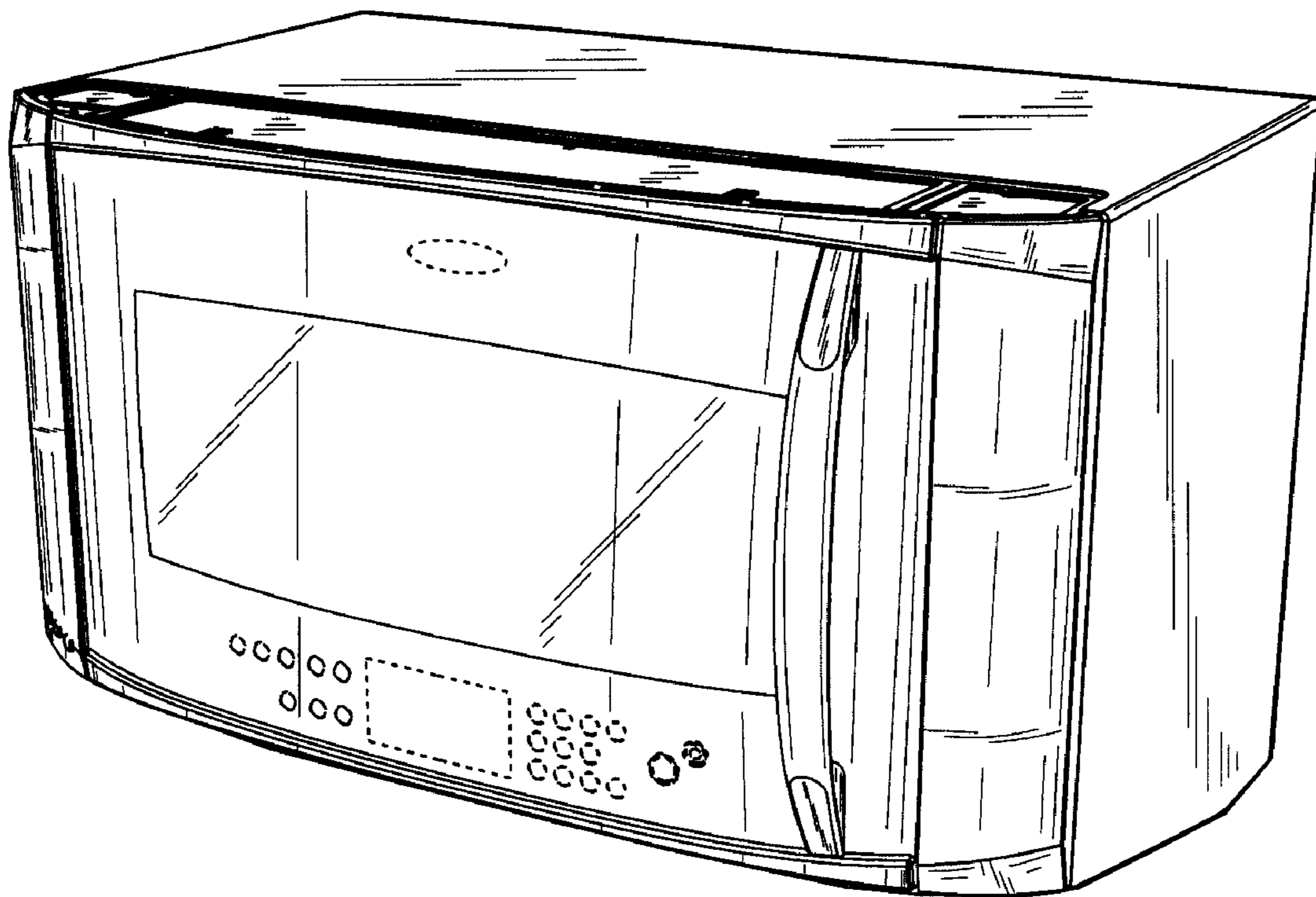


Fig. 5

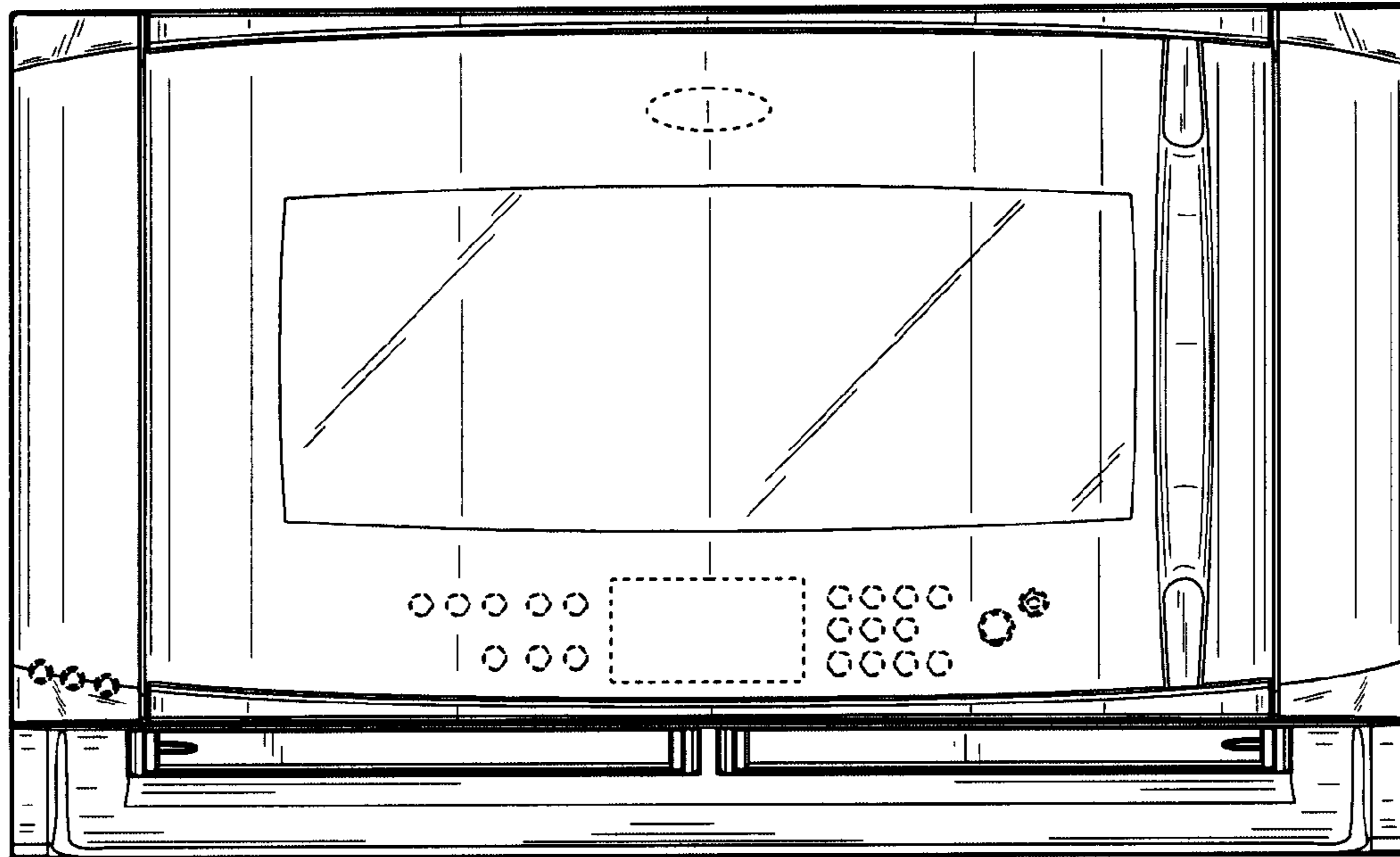


Fig. 6

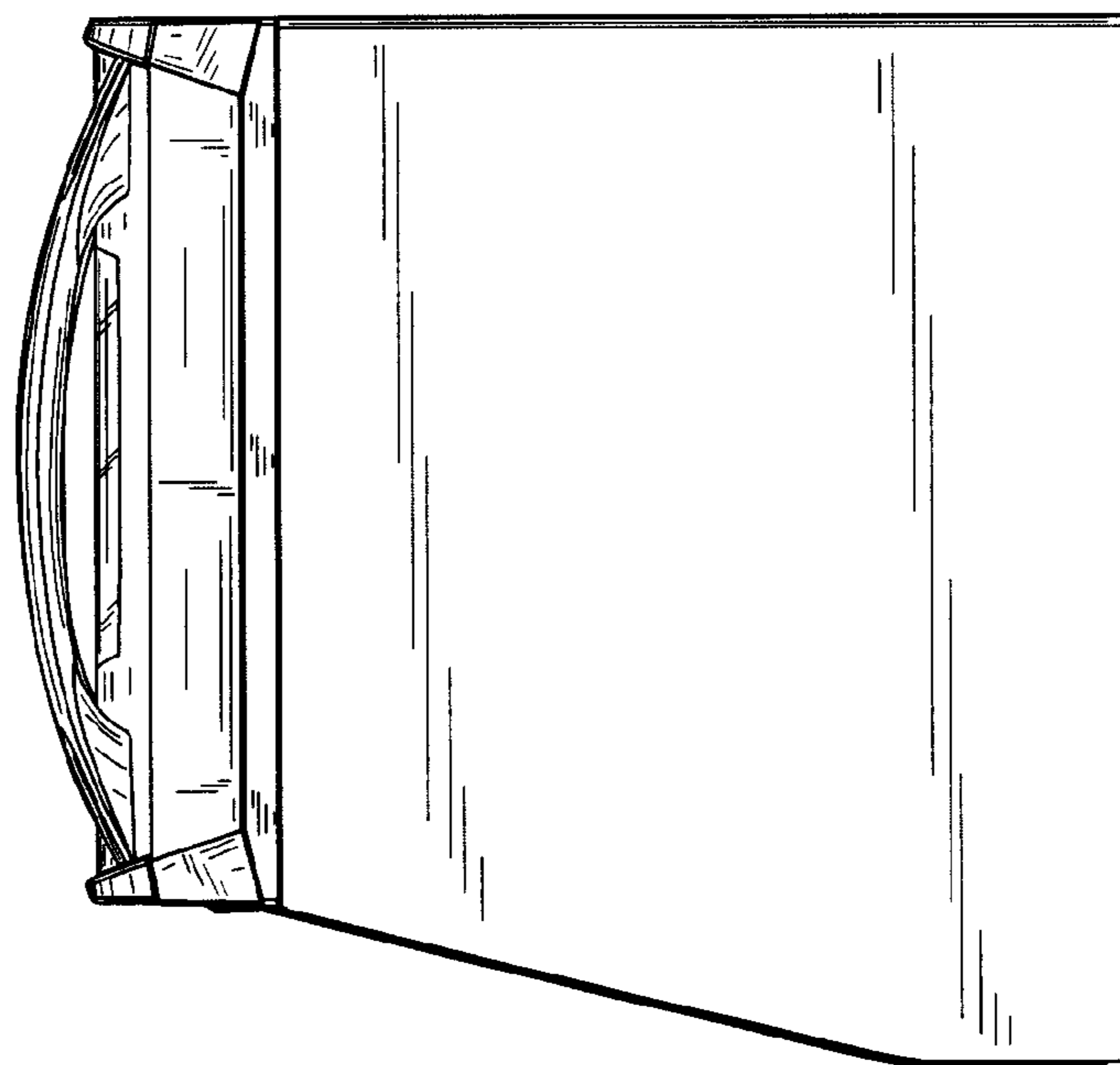


Fig. 7

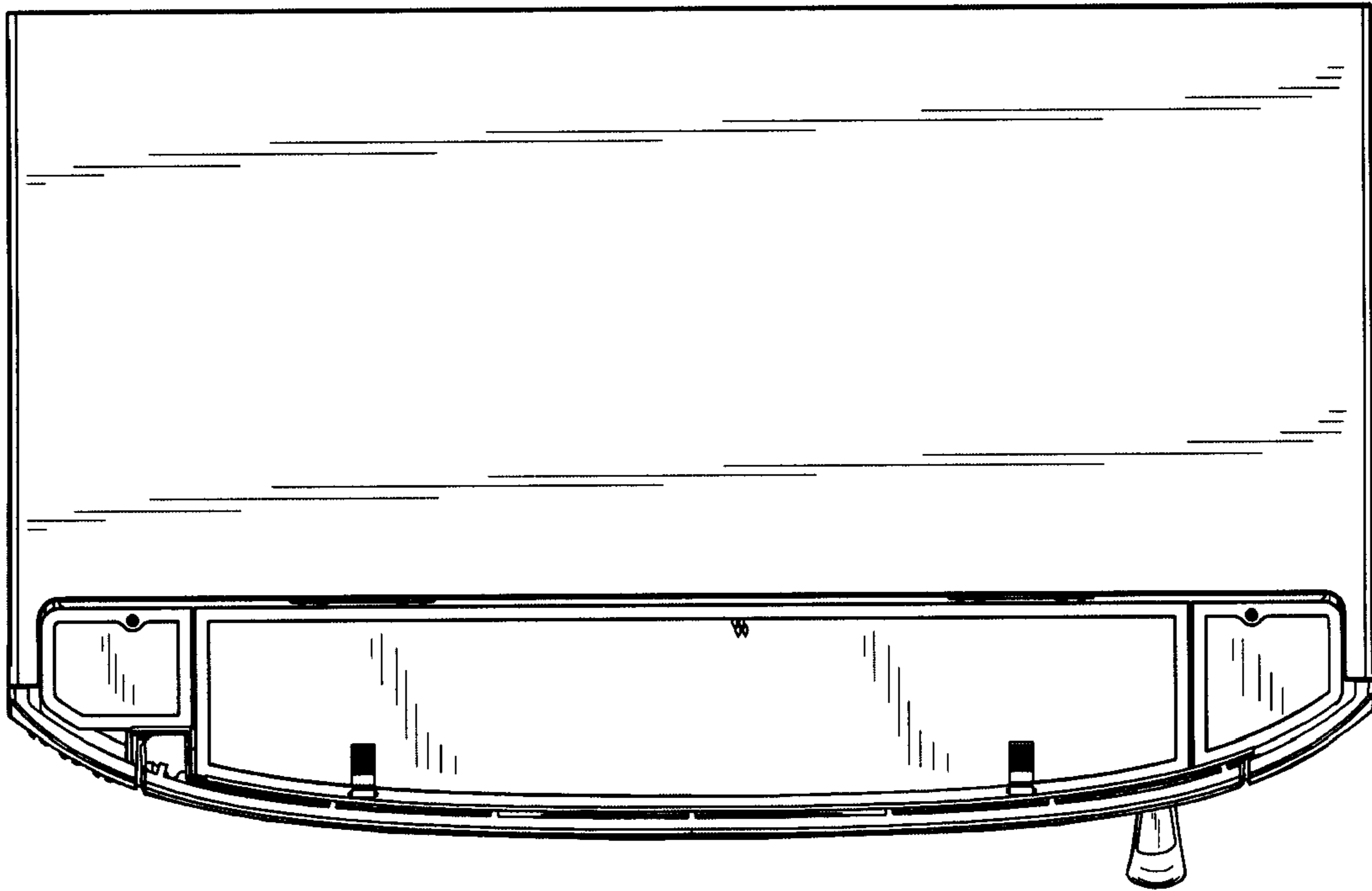


Fig. 8