



US00D521798S

(12) **United States Design Patent**  
**Wright**

(10) **Patent No.:** **US D521,798 S**

(45) **Date of Patent:** **\*\* May 30, 2006**

(54) **CAMPING STOVE**

(75) Inventor: **Joshua M. Wright**, Wichita, KS (US)

(73) Assignee: **The Coleman Company, Inc.**, Wichita, KS (US)

(\*\*) Term: **14 Years**

(21) Appl. No.: **29/212,642**

(22) Filed: **Sep. 3, 2004**

(51) **LOC (8) Cl.** ..... **07-02**

(52) **U.S. Cl.** ..... **D7/337**

(58) **Field of Classification Search** ..... D7/332-337,  
D7/354, 361, 417, 362-367, 402; 126/25 R,  
126/25 A, 25 AA, 25 B, 26, 2, 13, 274, 40,  
126/41 R, 37 R, 38-39 R, 50, 304 R, 305,  
126/9 R, 9 B, 19 M, 506; 99/450; 219/451.1,  
219/452.11, 455.11, 385, 520, 450.1; 220/573.1  
See application file for complete search history.

D412,808 S	8/1999	Hinton et al.	
D414,982 S	10/1999	Hopkins et al.	
D415,925 S	11/1999	Pai	
D427,480 S	7/2000	Brady	
D432,852 S	10/2000	Mosher, II et al.	
D437,183 S	2/2001	Wong et al.	
D444,667 S	7/2001	Wong et al.	
D450,976 S	11/2001	Mosher	
D455,041 S	4/2002	Smith	
D464,843 S	10/2002	Schulte et al.	
D469,298 S	1/2003	Hinton et al.	
D472,757 S	4/2003	Schulte et al.	
D498,113 S	11/2004	Zhang	
D503,868 S	4/2005	Pai	
D504,275 S	4/2005	Pai	
D504,795 S	* 5/2005	Schulte et al.	..... D7/337
D505,045 S	5/2005	Assmann	
D506,636 S	* 6/2005	Schulte et al.	..... D7/337

\* cited by examiner

*Primary Examiner*—Ruth McInroy

(74) *Attorney, Agent, or Firm*—Leydig, Voit & Mayer, Ltd.

(56) **References Cited**

**U.S. PATENT DOCUMENTS**

D216,233 S	* 12/1969	Gruver et al.	..... D7/337
D226,872 S	* 5/1973	Benson	..... D7/337
D227,850 S	* 7/1973	Benson	..... D7/337
D229,448 S	* 11/1973	Traclet	..... D7/337
D245,220 S	8/1977	Chan	
D251,893 S	5/1979	Chan	
D251,894 S	5/1979	Chan	
D253,218 S	10/1979	Johnson	
D276,303 S	11/1984	Chan	
D291,399 S	8/1987	Chan	
D334,108 S	3/1993	Fisher	
D347,548 S	6/1994	Boehm et al.	
D384,546 S	10/1997	Lin	
5,782,230 A	7/1998	Linnebur et al.	
D406,722 S	3/1999	Benton et al.	
D407,598 S	4/1999	Deni et al.	

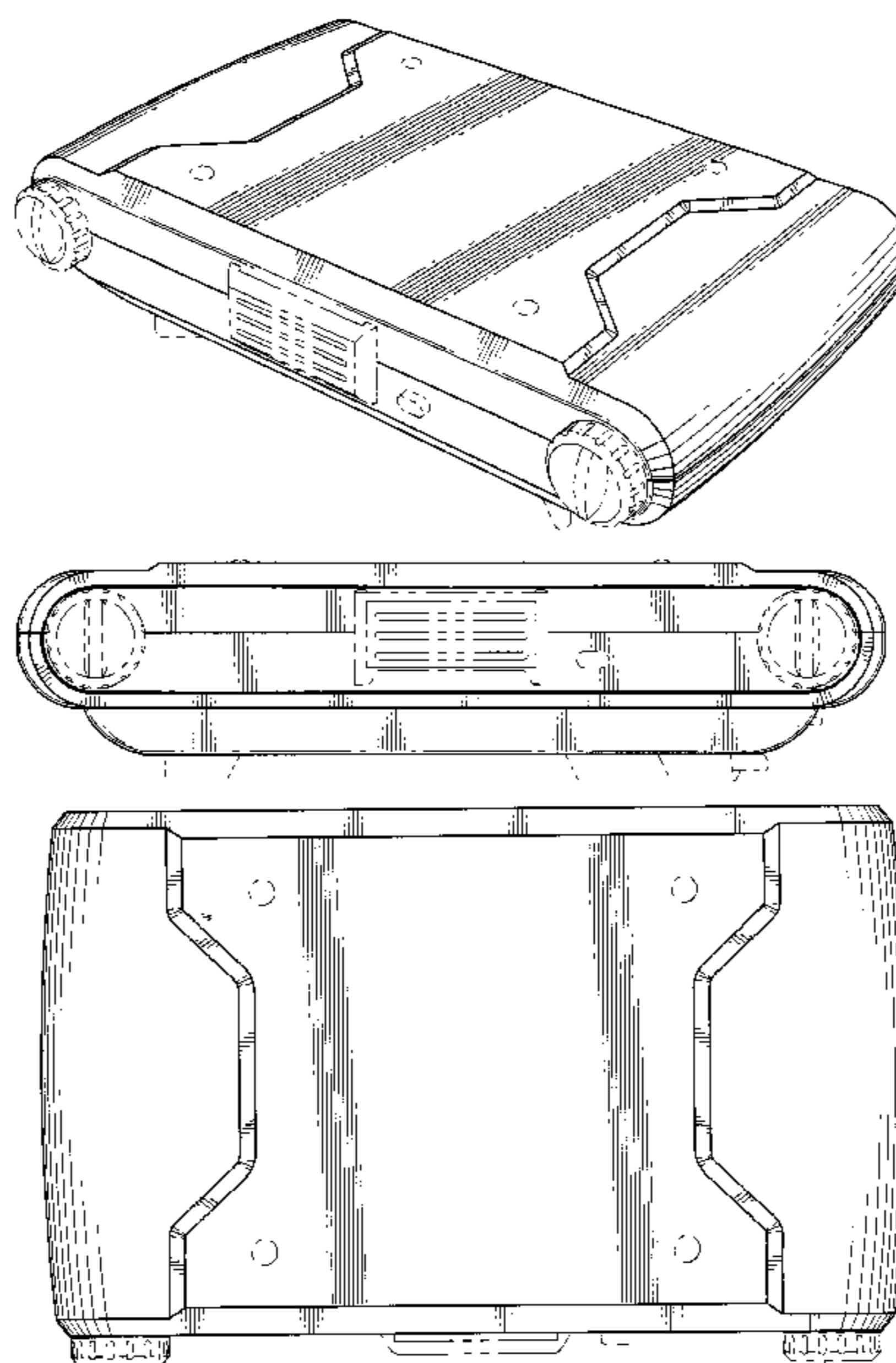
(57) **CLAIM**

The ornamental design for a camping stove, as shown and described.

**DESCRIPTION**

FIG. 1 is a top, right perspective view of a camping stove showing our new design;  
FIG. 2 is a front view thereof;  
FIG. 3 is a rear view thereof;  
FIG. 4 is a left side view thereof;  
FIG. 5 is a right side view thereof;  
FIG. 6 is a top view thereof; and,  
FIG. 7 is a bottom view thereof.  
The details shown in broken lines form no part of the claimed design.

**1 Claim, 3 Drawing Sheets**



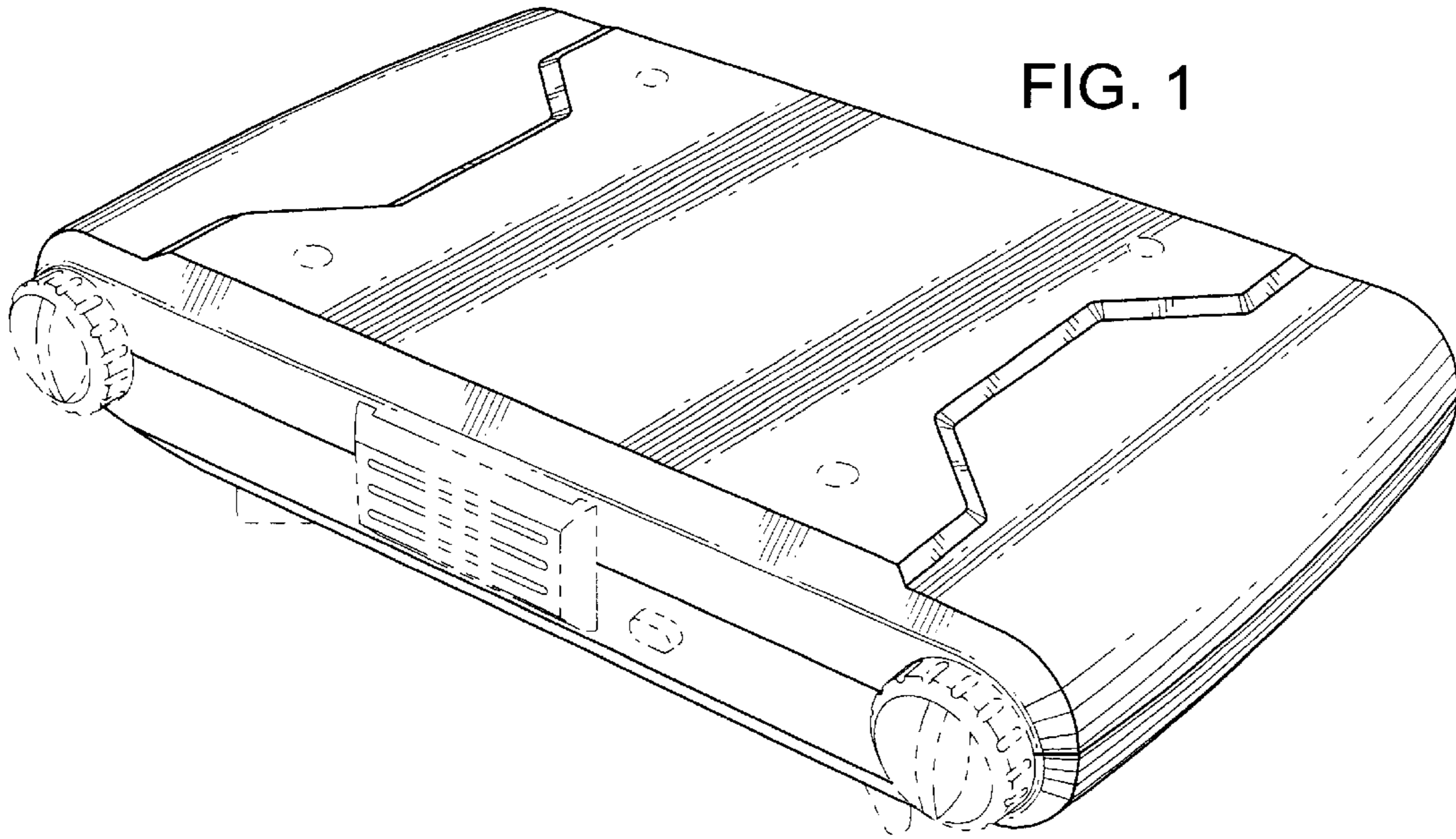


FIG. 2

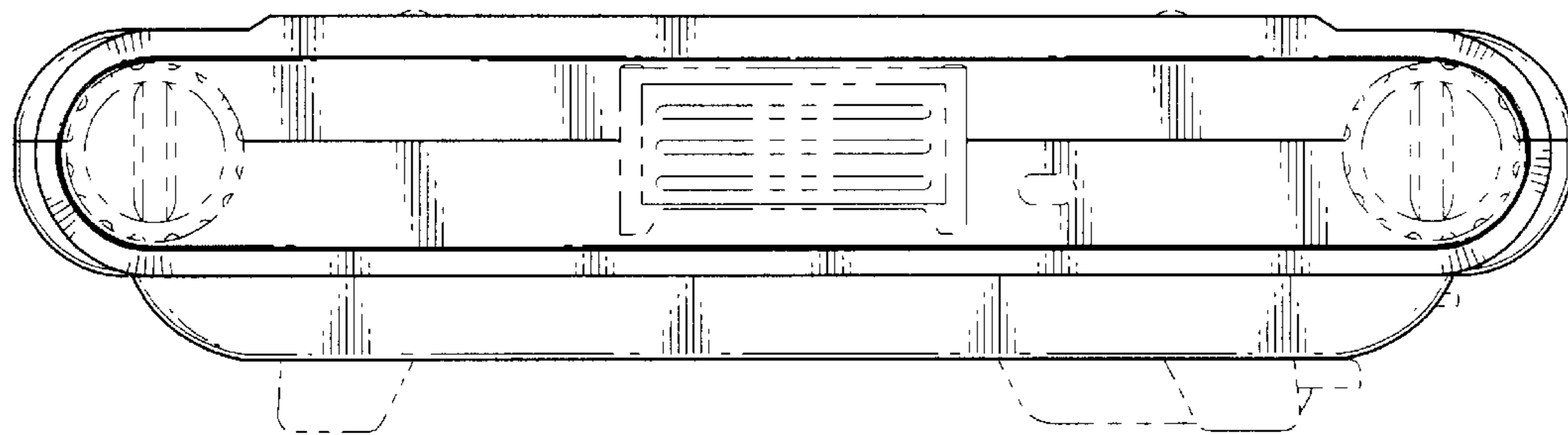


FIG. 3

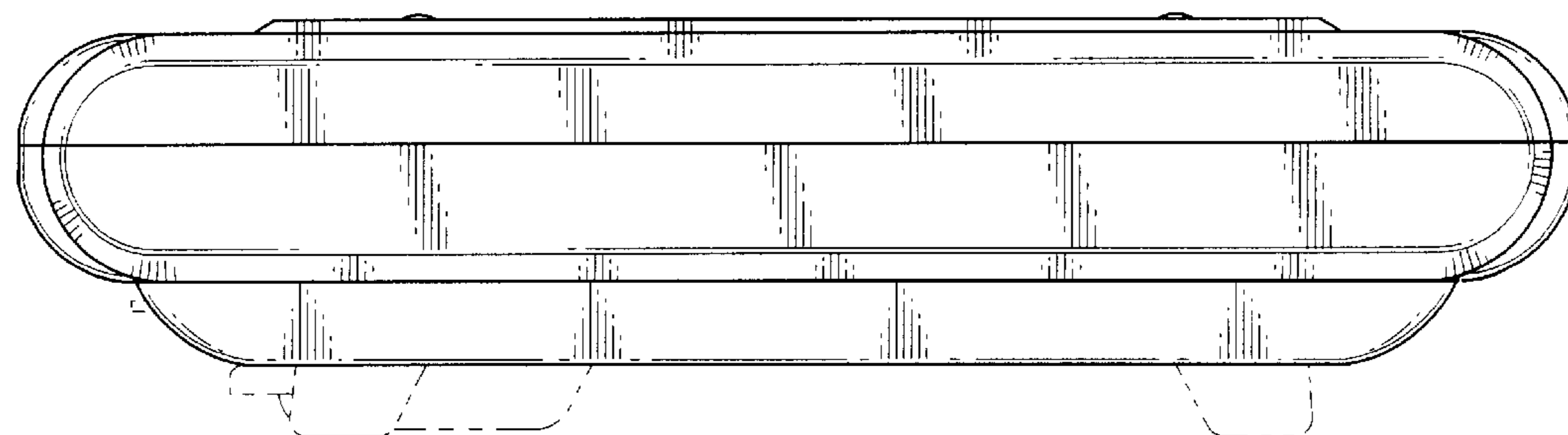


FIG. 4

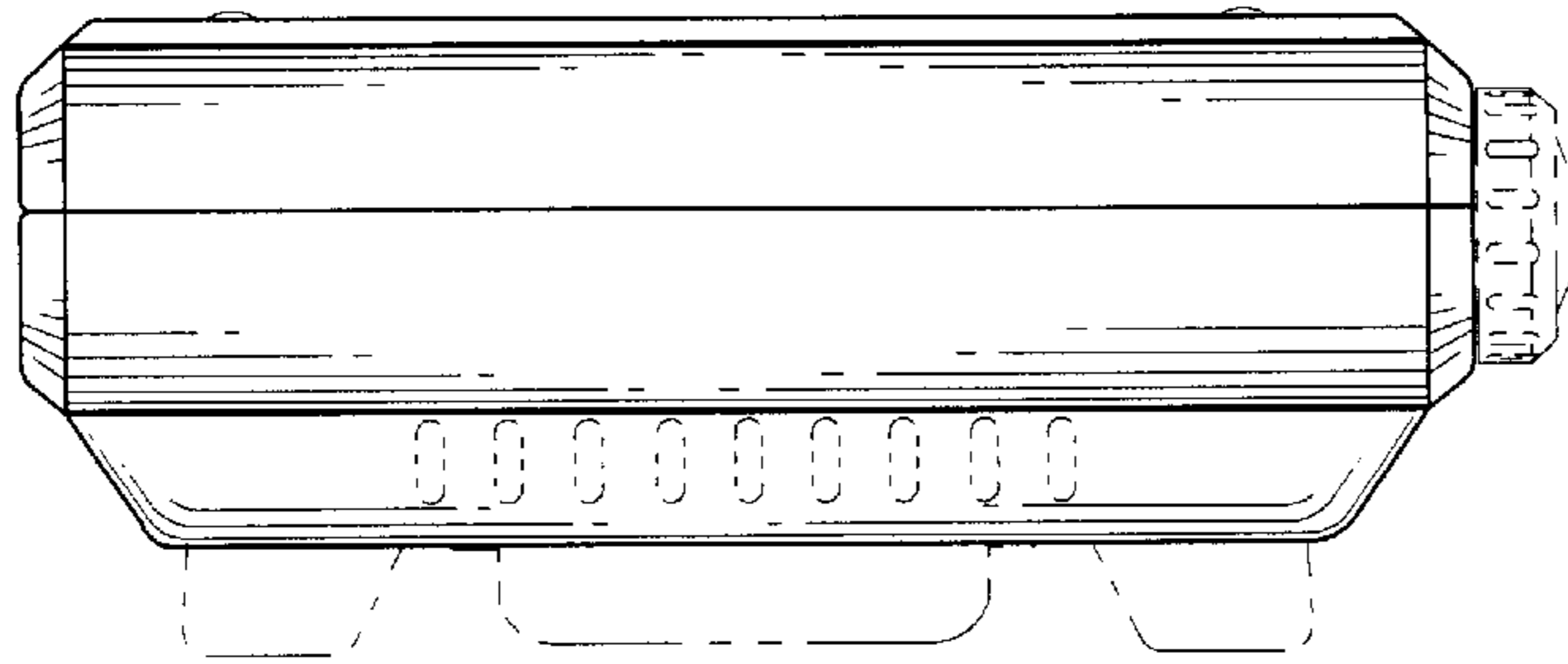


FIG. 5

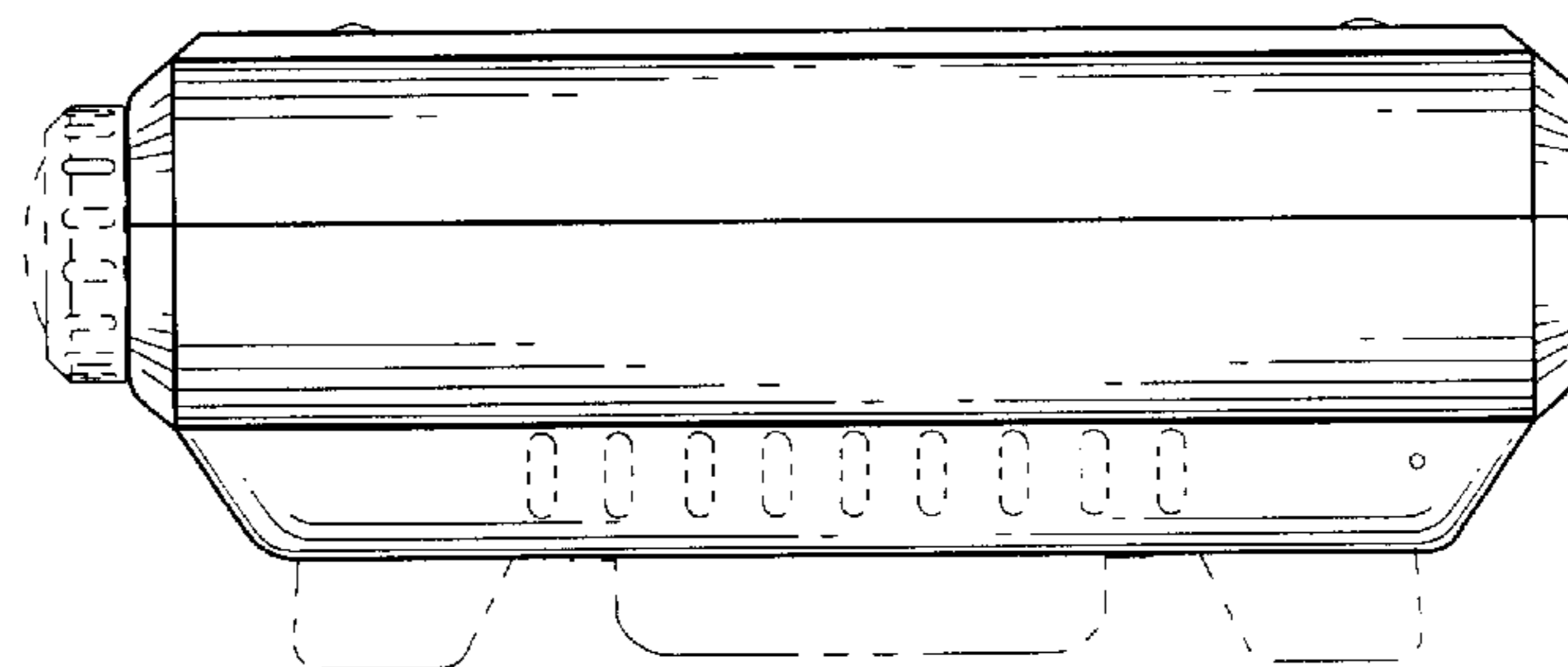


FIG. 6

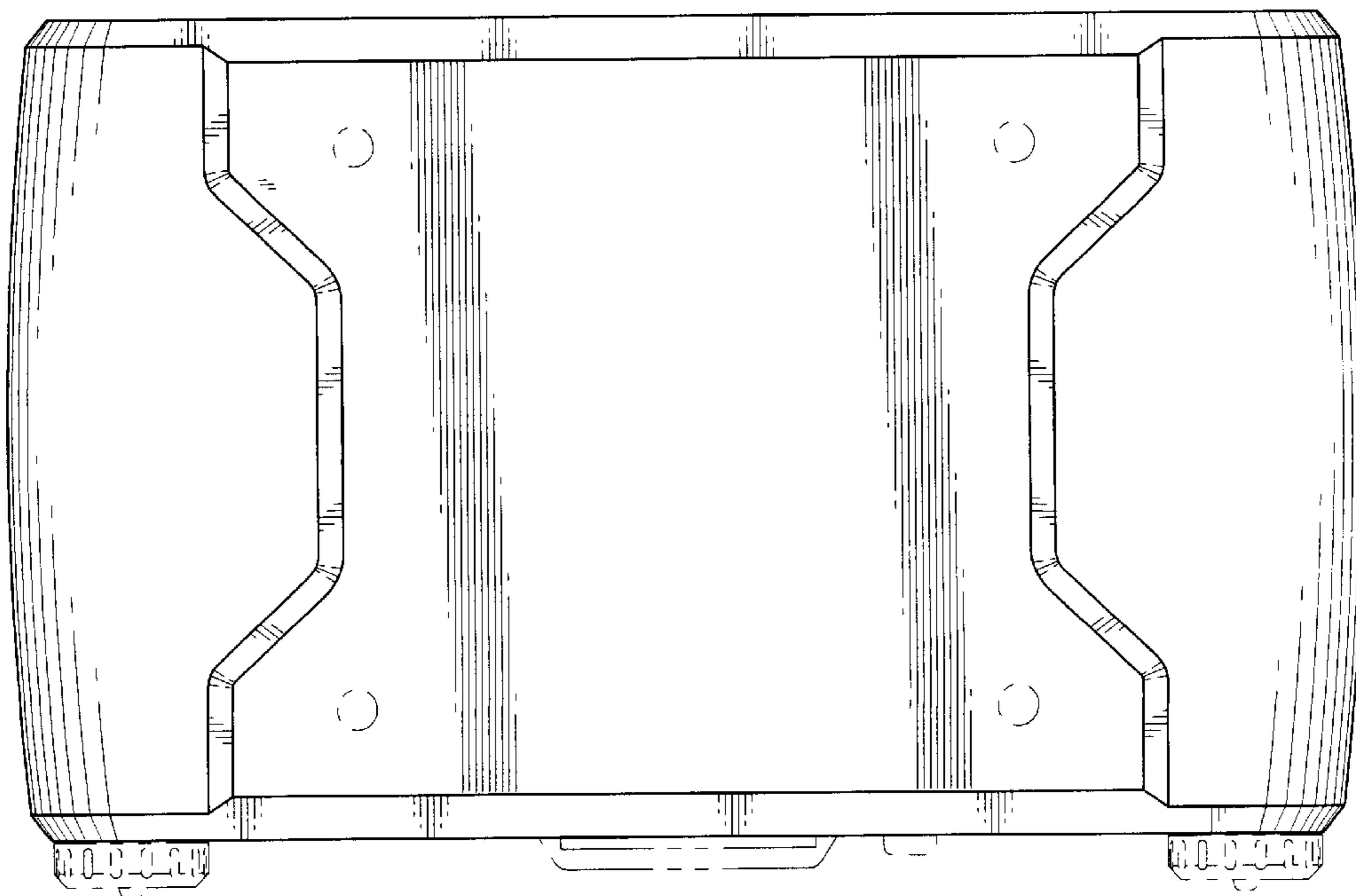


FIG. 7

