



US00D521797S

(12) **United States Design Patent**
Huang

(10) **Patent No.:** **US D521,797 S**

(45) **Date of Patent:** **** May 30, 2006**

(54) **GRILL**

(75) Inventor: **To-En Huang**, Taipei (TW)

(73) Assignee: **Tsann Kuen Enterprise Co. Ltd.** (TW)

(**) Term: **14 Years**

(21) Appl. No.: **29/191,197**

(22) Filed: **Oct. 2, 2003**

(51) **LOC (8) Cl.** **07-02**

(52) **U.S. Cl.** **D7/337**

(58) **Field of Classification Search** D7/332-337,
D7/402-405, 350.1, 350.4; 126/25 R, 41 R,
126/37 R, 38, 50, 9 R, 9 B

See application file for complete search history.

(56) **References Cited**

U.S. PATENT DOCUMENTS

D270,988 S * 10/1983 Anderson D7/337

D282,619 S * 2/1986 Fitzgerald et al. D7/332

D455,598 S * 4/2002 Pai D7/337

D461,360 S * 8/2002 Bossler D7/337

D481,904 S * 11/2003 Mak D7/337

* cited by examiner

Primary Examiner—Ruth McInroy

(74) *Attorney, Agent, or Firm*—Kenneth C. Brooks

(57) **CLAIM**

I claim the ornamental design for a grill, as shown and described.

DESCRIPTION

FIG. 1 is a perspective view of a grill showing my new design;

FIG. 2 is a front elevational view thereof;

FIG. 3 is a rear elevational view thereof;

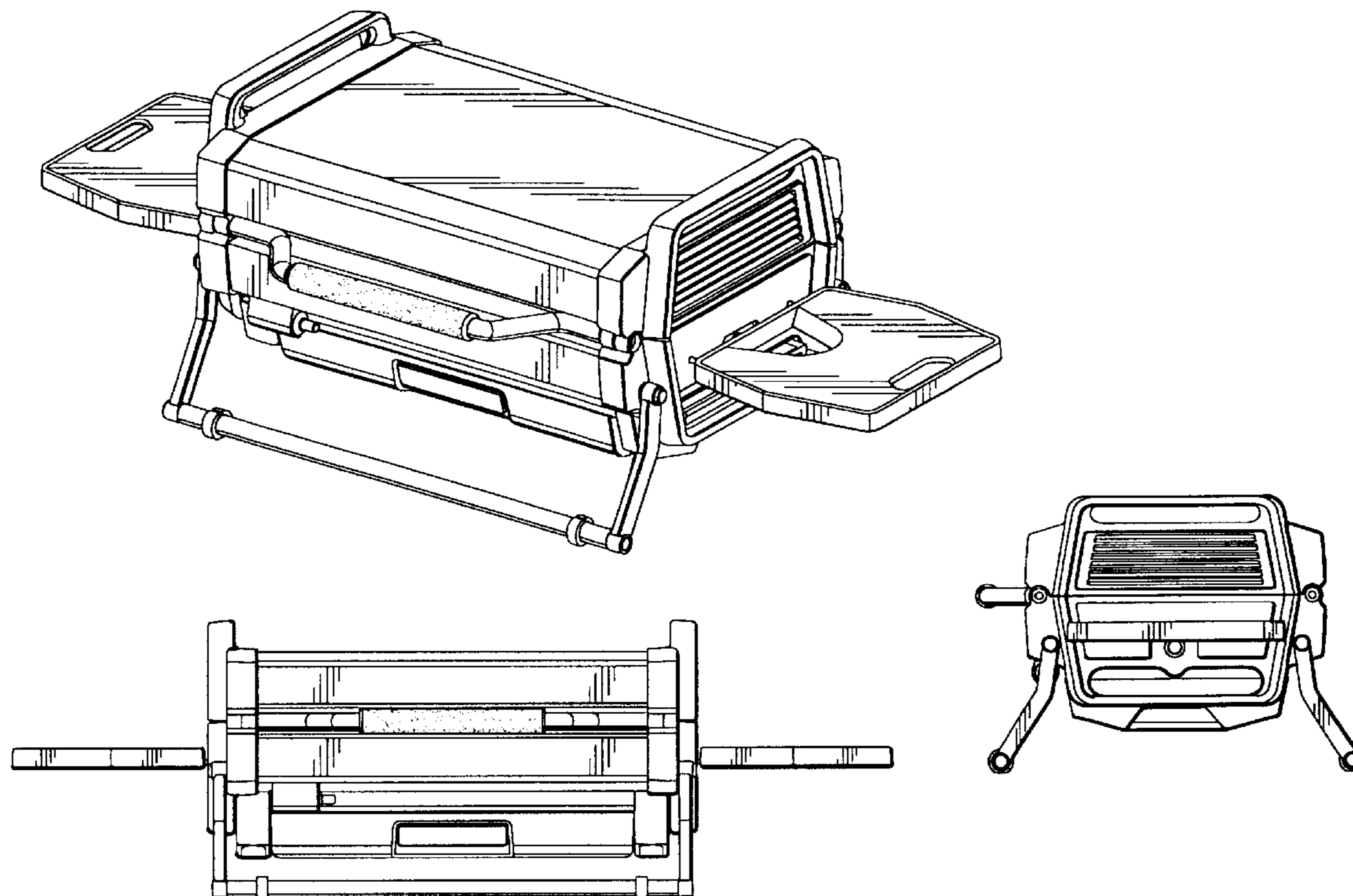
FIG. 4 is a left side elevational view thereof;

FIG. 5 is a right side elevational view thereof;

FIG. 6 is a top plan view thereof; and,

FIG. 7 is a bottom plan view thereof.

1 Claim, 4 Drawing Sheets



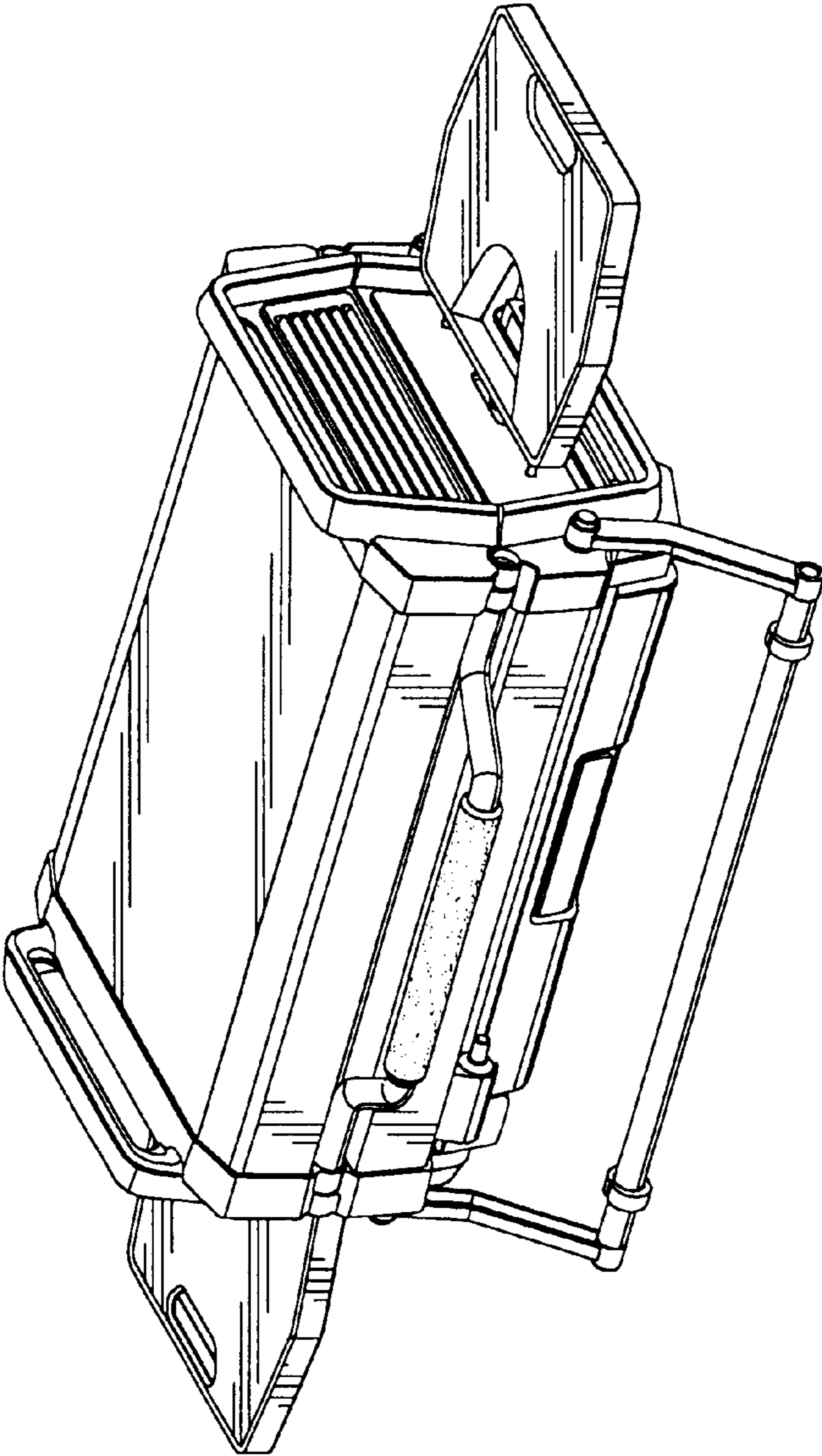


FIG. 1

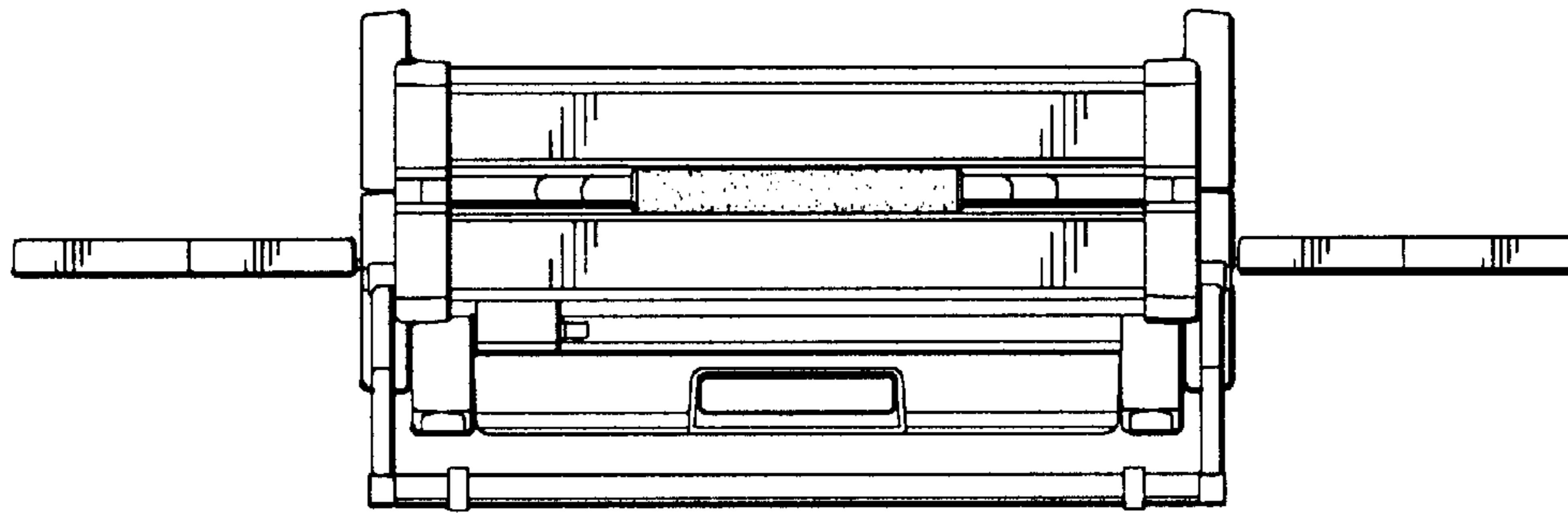


FIG. 2

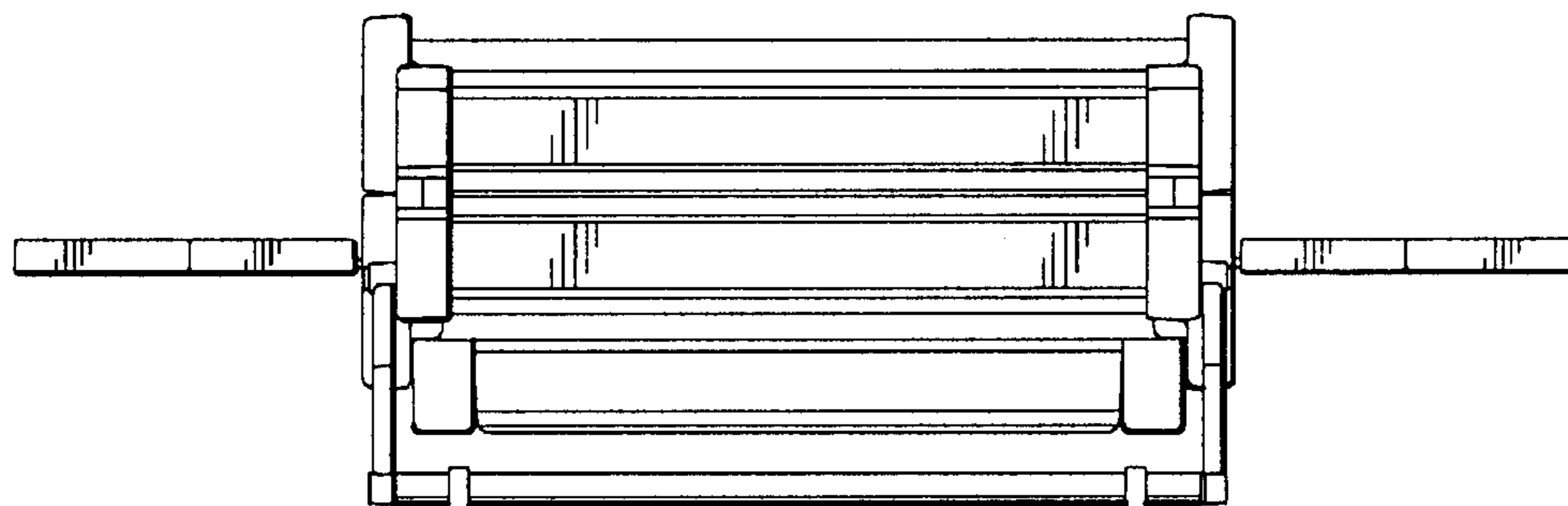


FIG. 3

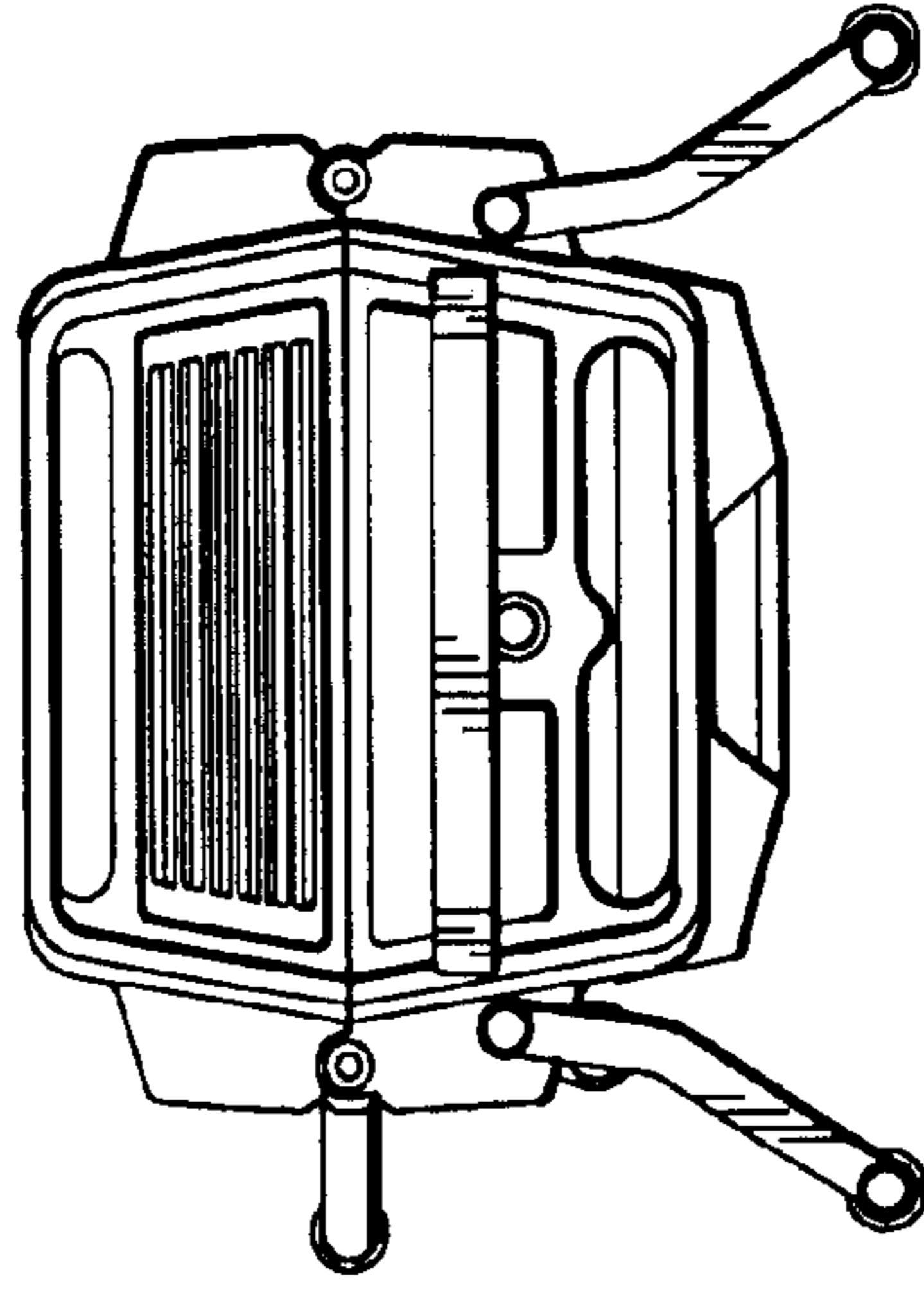


FIG. 5

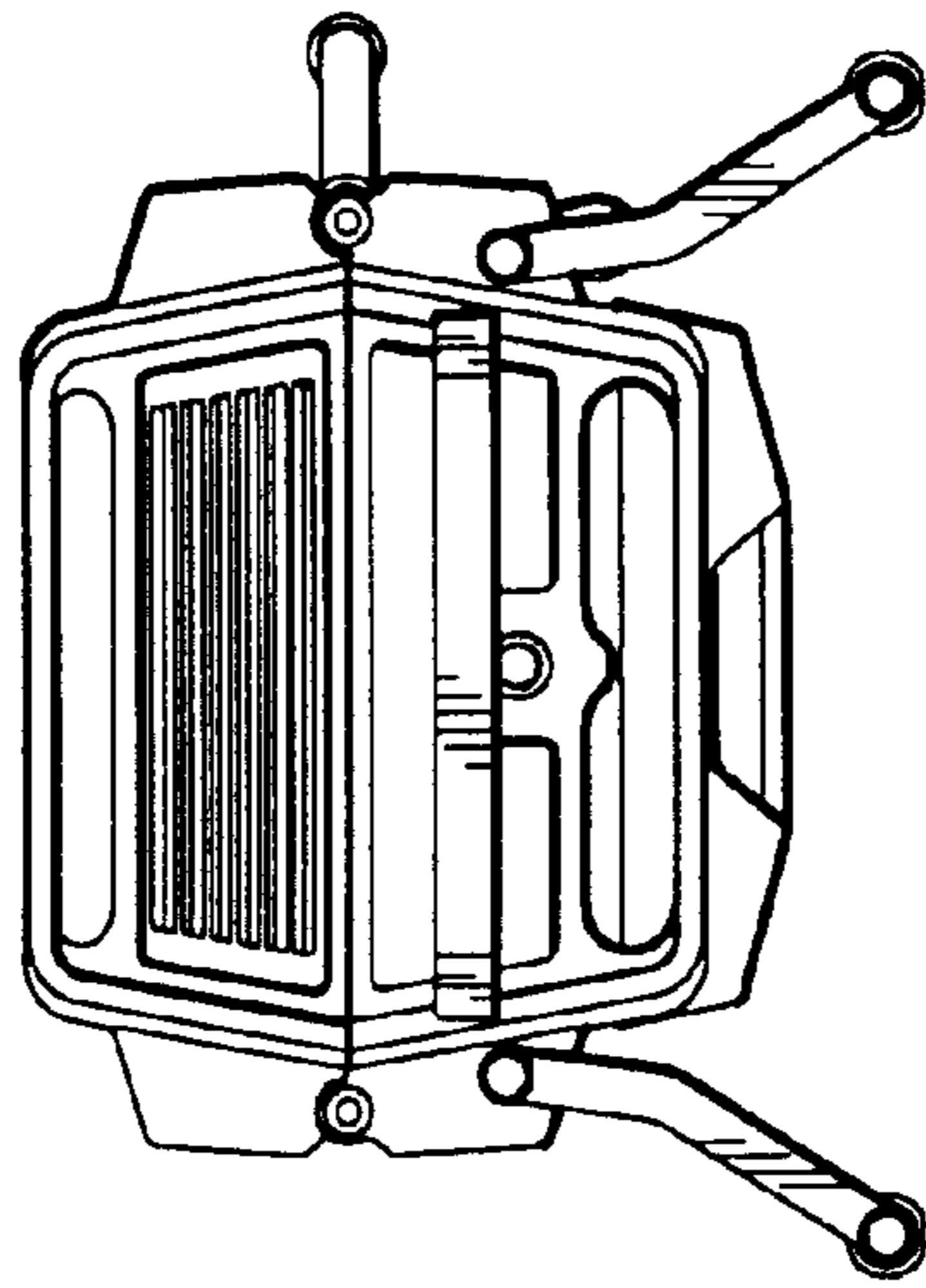


FIG. 4

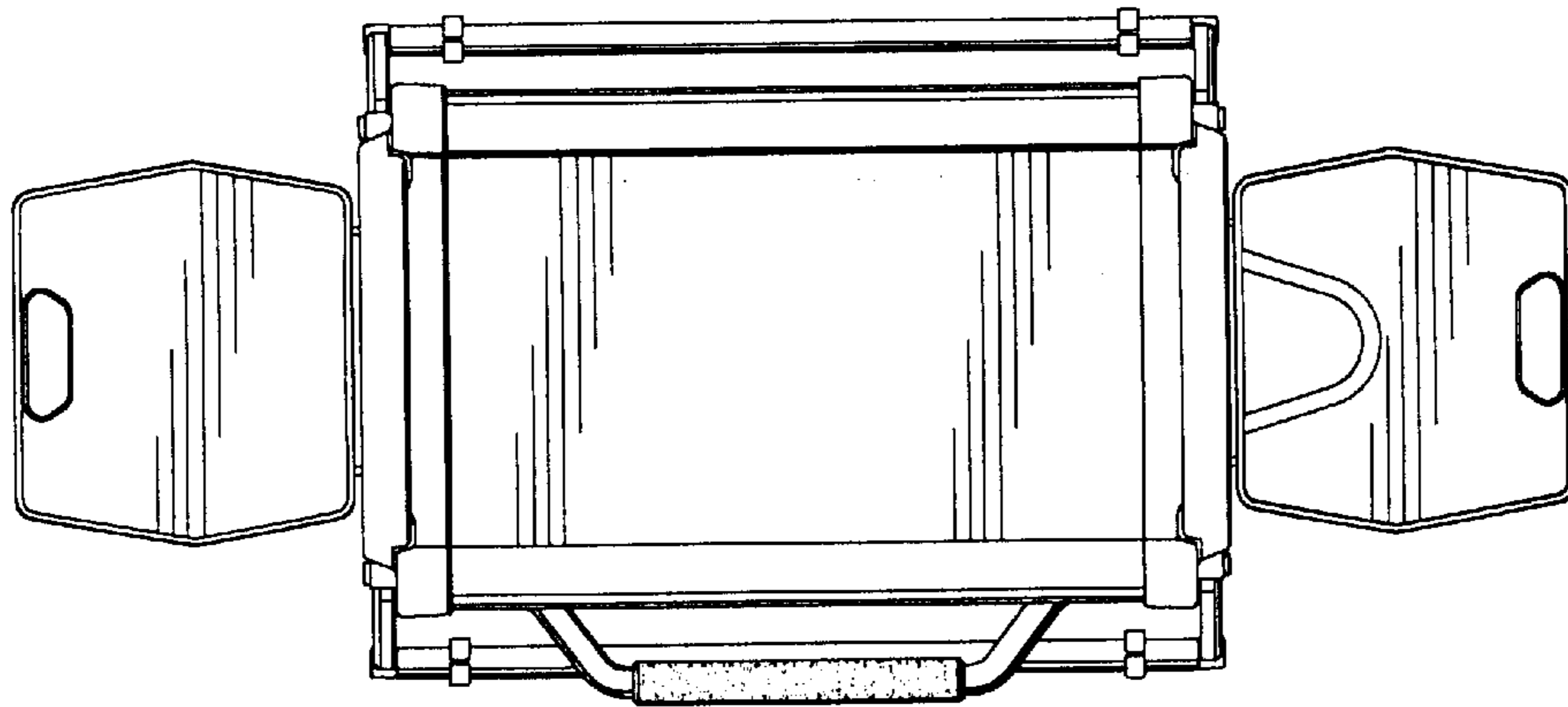


FIG. 6

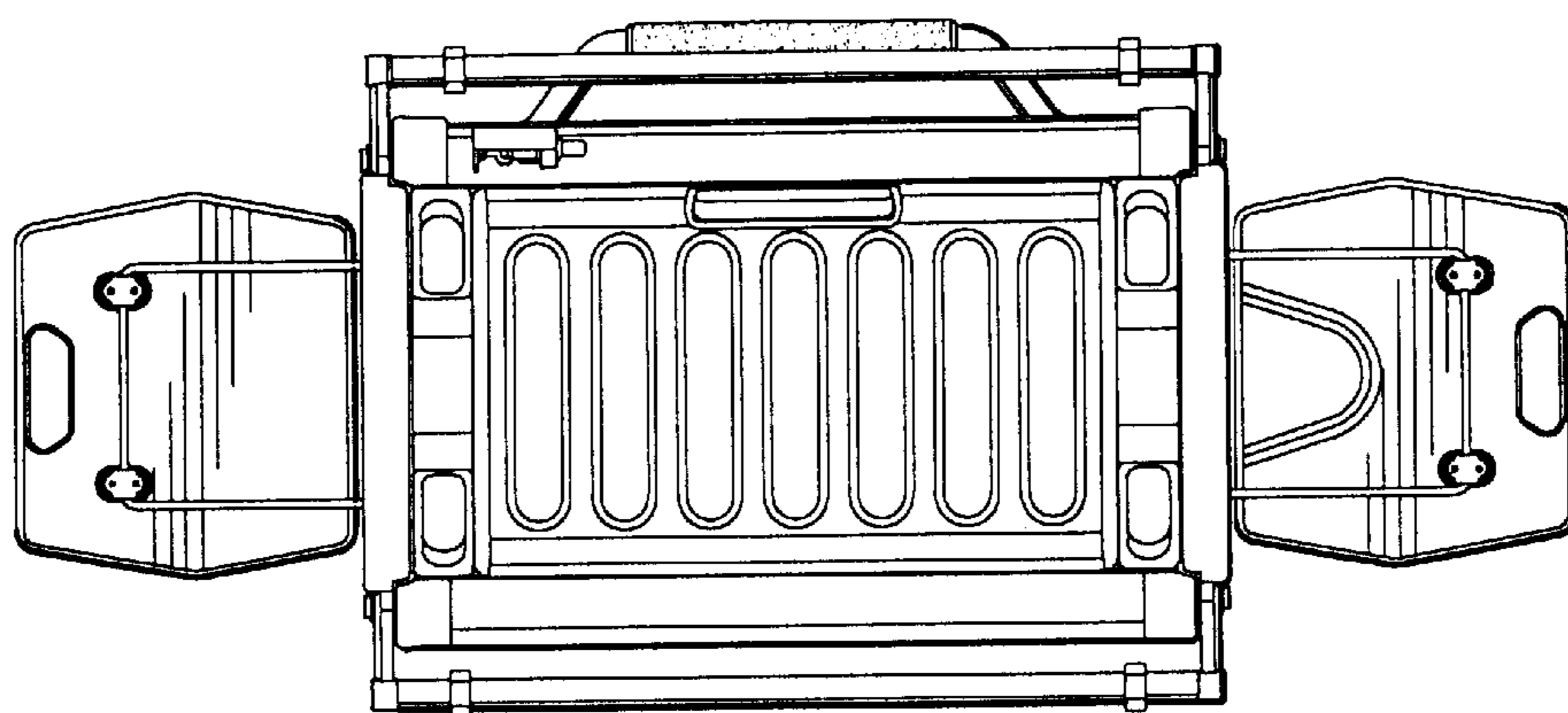


FIG. 7