



US00D521796S

(12) **United States Design Patent**
Bertulis

(10) **Patent No.:** **US D521,796 S**

(45) **Date of Patent:** **** May 30, 2006**

(54) **MICROWAVE POPCORN POPPER**

(75) Inventor: **Eugenia Bertulis**, Seattle, WA (US)

(73) Assignee: **Progressive International Corp.**, Kent, WA (US)

(**) Term: **14 Years**

(21) Appl. No.: **29/201,707**

(22) Filed: **Mar. 18, 2004**

(51) **LOC (8) Cl.** **31-00**

(52) **U.S. Cl.** **D7/325**

(58) **Field of Classification Search** D7/323,
D7/325, 354-361, 387, 500, 538, 540; 99/323.5-323.11,
99/403

See application file for complete search history.

(56) **References Cited**

U.S. PATENT DOCUMENTS

4,332,188	A	*	6/1982	Rhear	99/323.5
D270,702	S	*	9/1983	Bowen et al.	D7/325
D280,062	S	*	8/1985	Cesaroni	D7/325
D281,137	S	*	10/1985	Cesaroni	D7/325
D472,098	S	*	3/2003	Jeong	D7/354
2002/0129714	A1	*	9/2002	Lee et al.	99/403

* cited by examiner

Primary Examiner—Caron D. Veynar

Assistant Examiner—Ricky Pham

(74) *Attorney, Agent, or Firm*—Black Lowe & Graham PLLC

(57) **CLAIM**

I claim the ornamental design for a microwave popcorn popper, as shown and described.

DESCRIPTION

FIG. 1 is an exploded view of the microwave popcorn popper showing my new design;

FIG. 2 is a front elevation view of the lid shown separately for ease of illustration, all other side views are identical;

FIG. 3 is a front elevation view of the inner plate shown separately for ease of illustration, all other side views are identical;

FIG. 4 is a front elevation view of the bowl shown separately for ease of illustration, all other side views are identical;

FIG. 5 is a top plan view of the lid shown separately for ease of illustration;

FIG. 6 is a bottom plan view of the lid shown separately for ease of illustration;

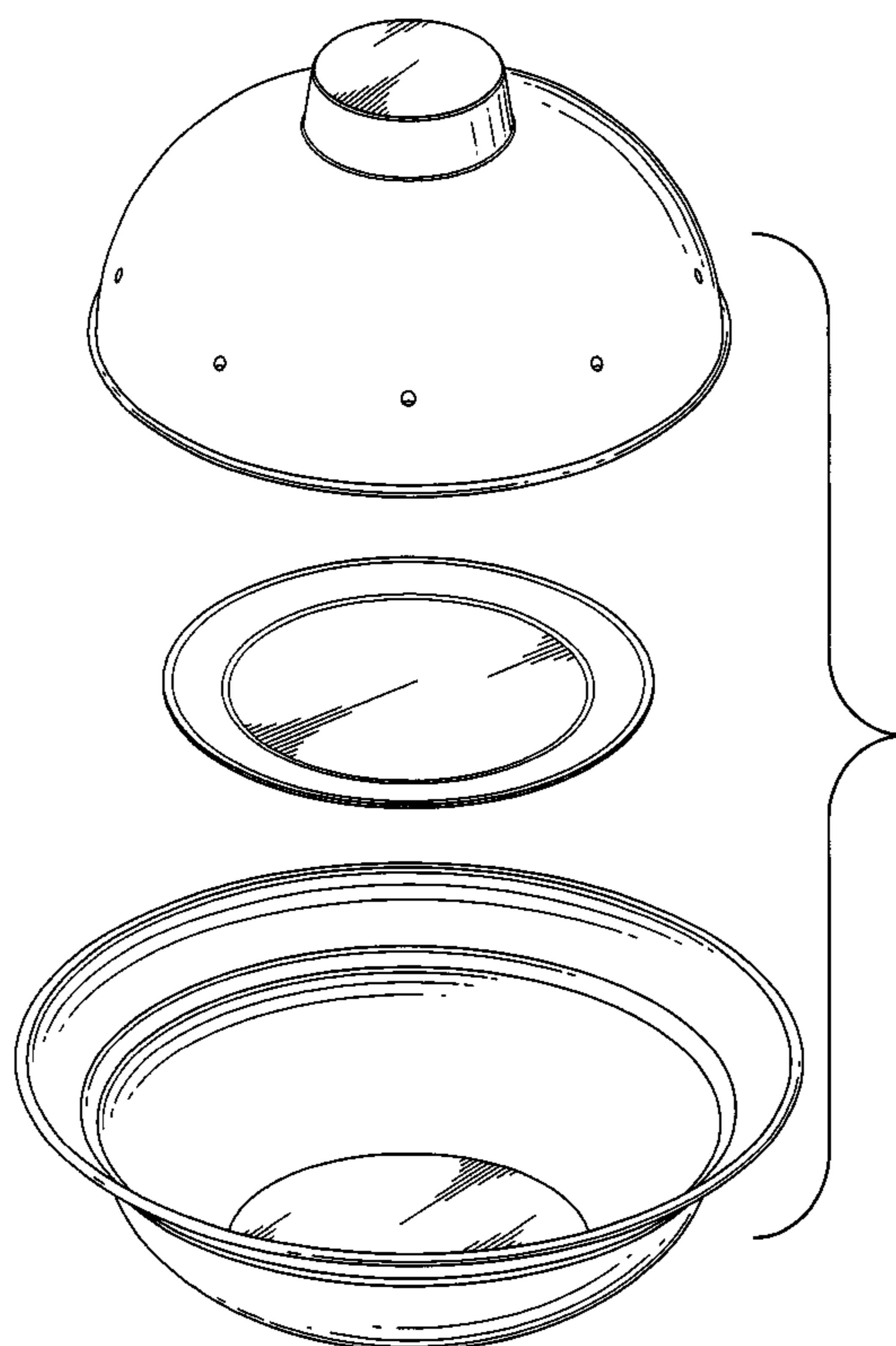
FIG. 7 is a top plan view of the inner plate shown separately for ease of illustration;

FIG. 8 is a top plan view of the bowl shown separately for ease of illustration;

FIG. 9 is a bottom plan view of the inner plate shown separately for ease of illustration; and,

FIG. 10 is a bottom plan view of the bowl shown separately for ease of illustration.

1 Claim, 5 Drawing Sheets



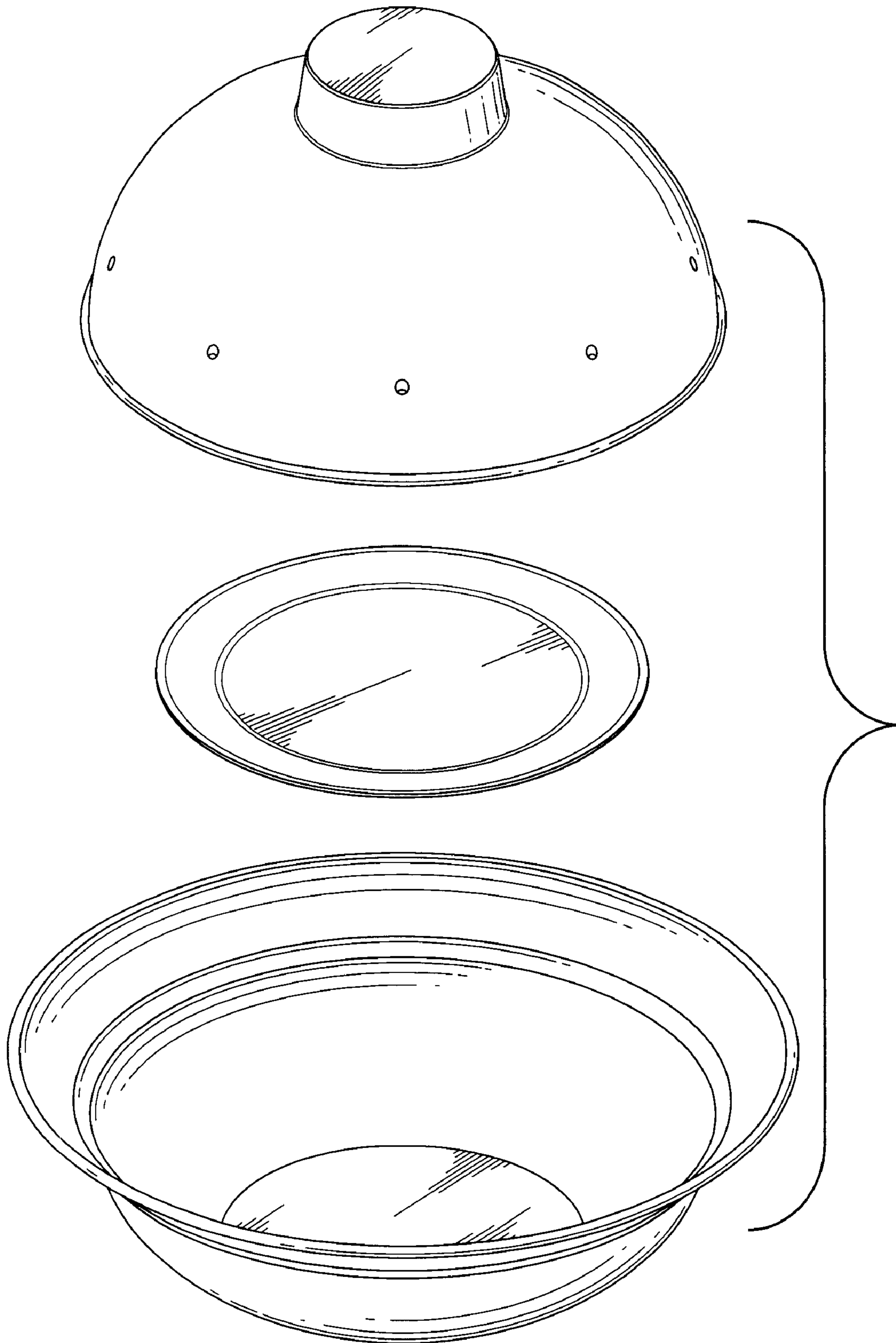


Fig.1

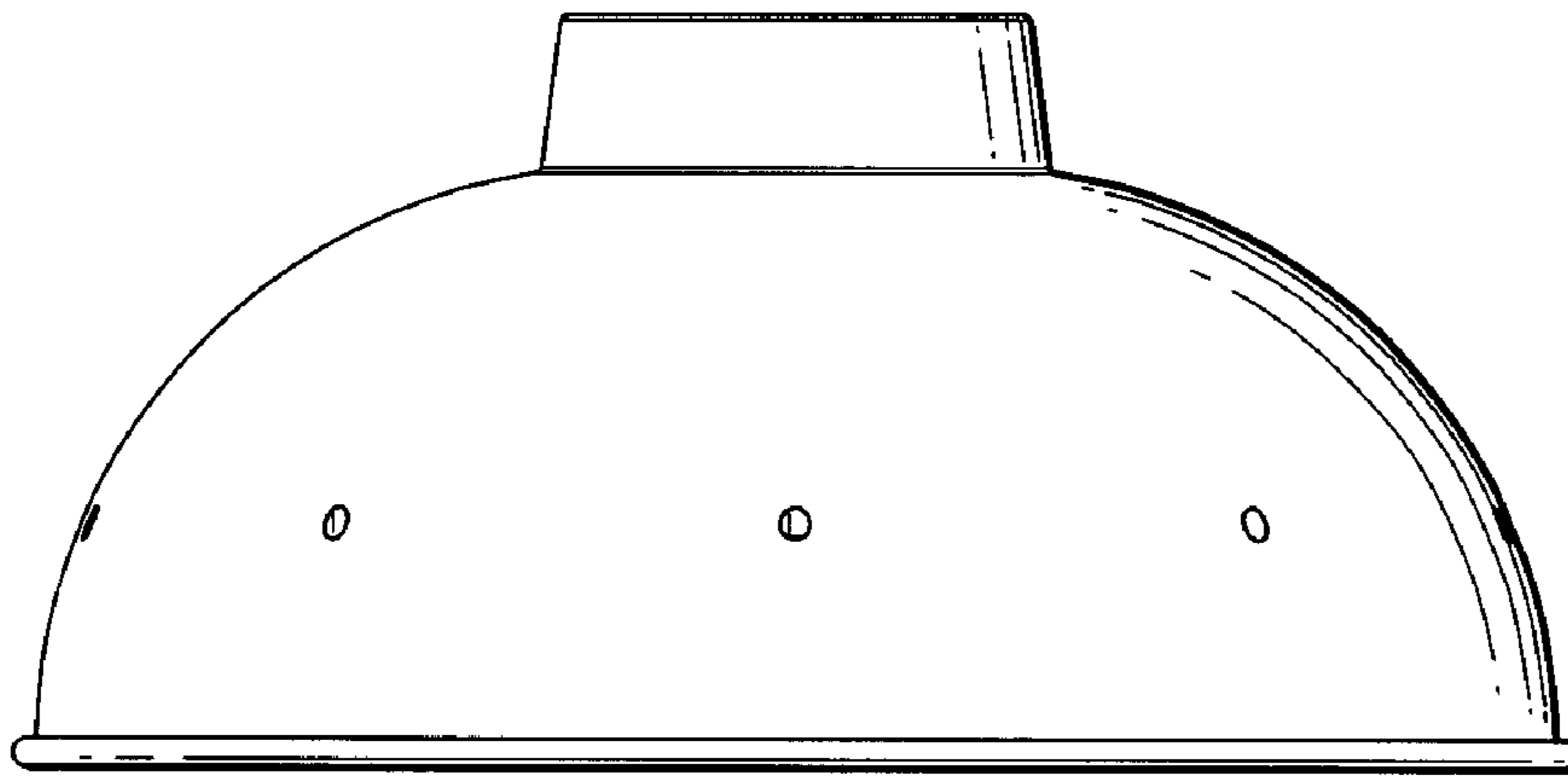


Fig. 2

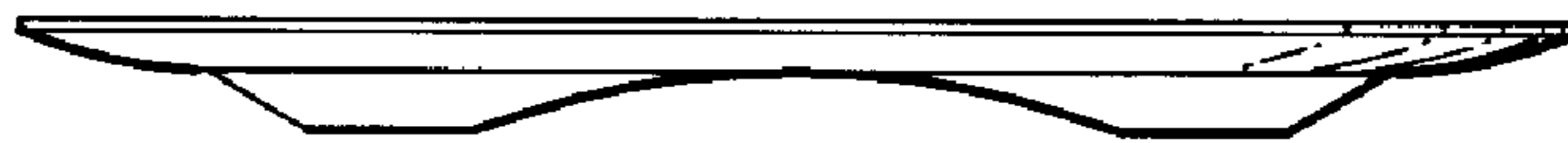


Fig. 3

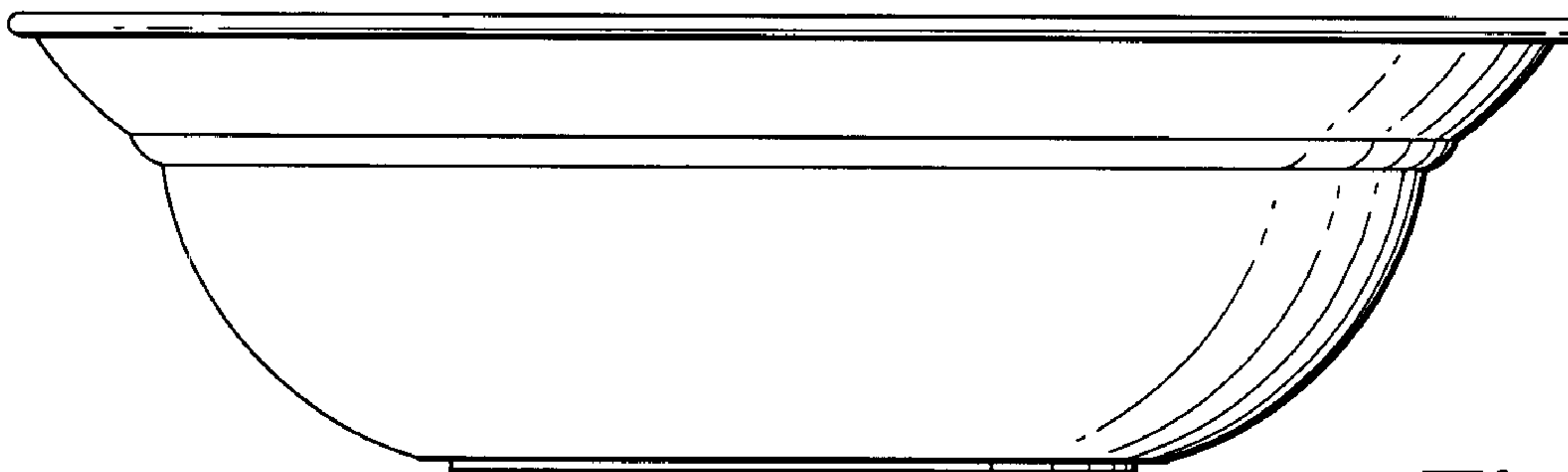


Fig. 4

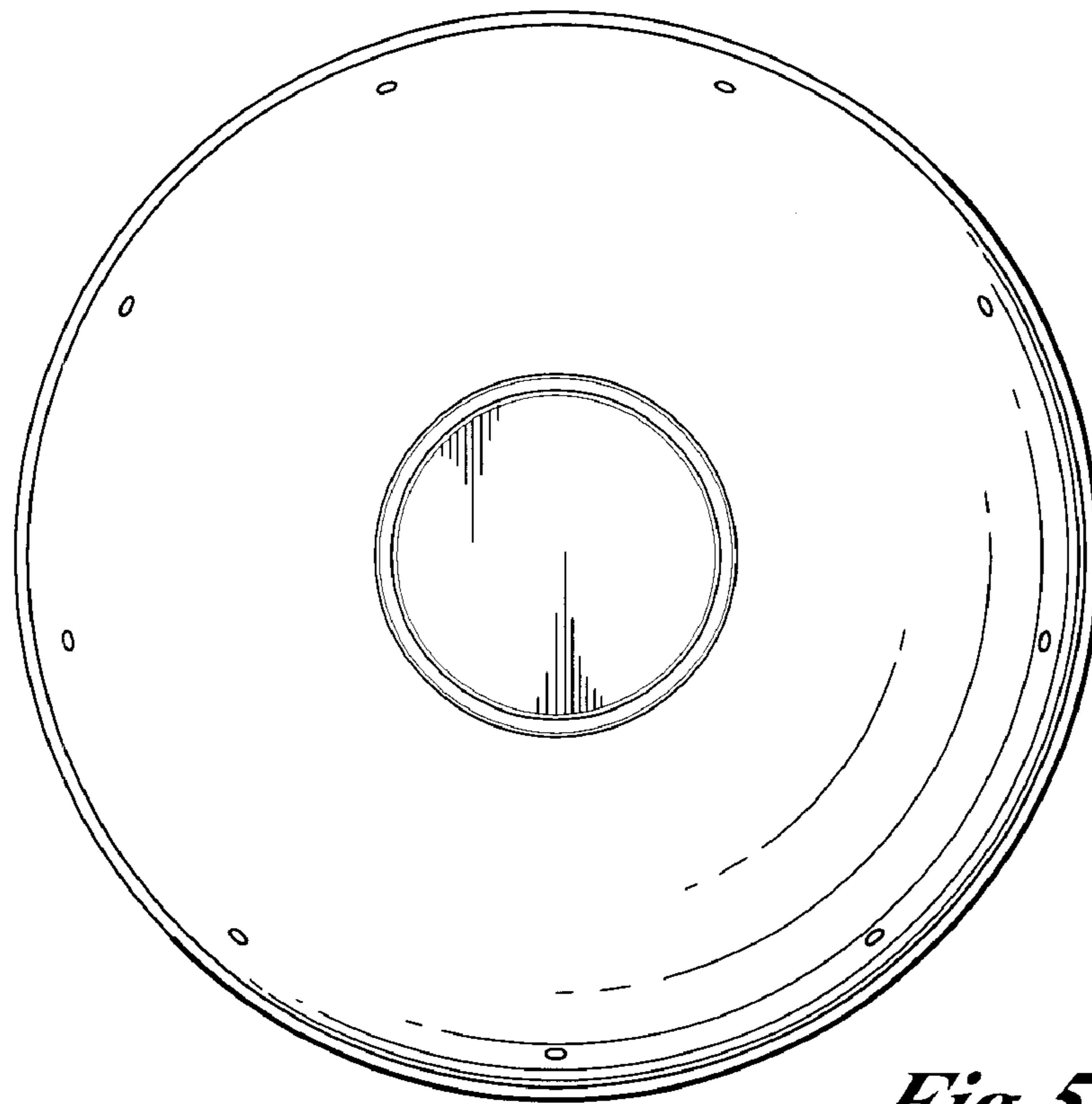


Fig. 5

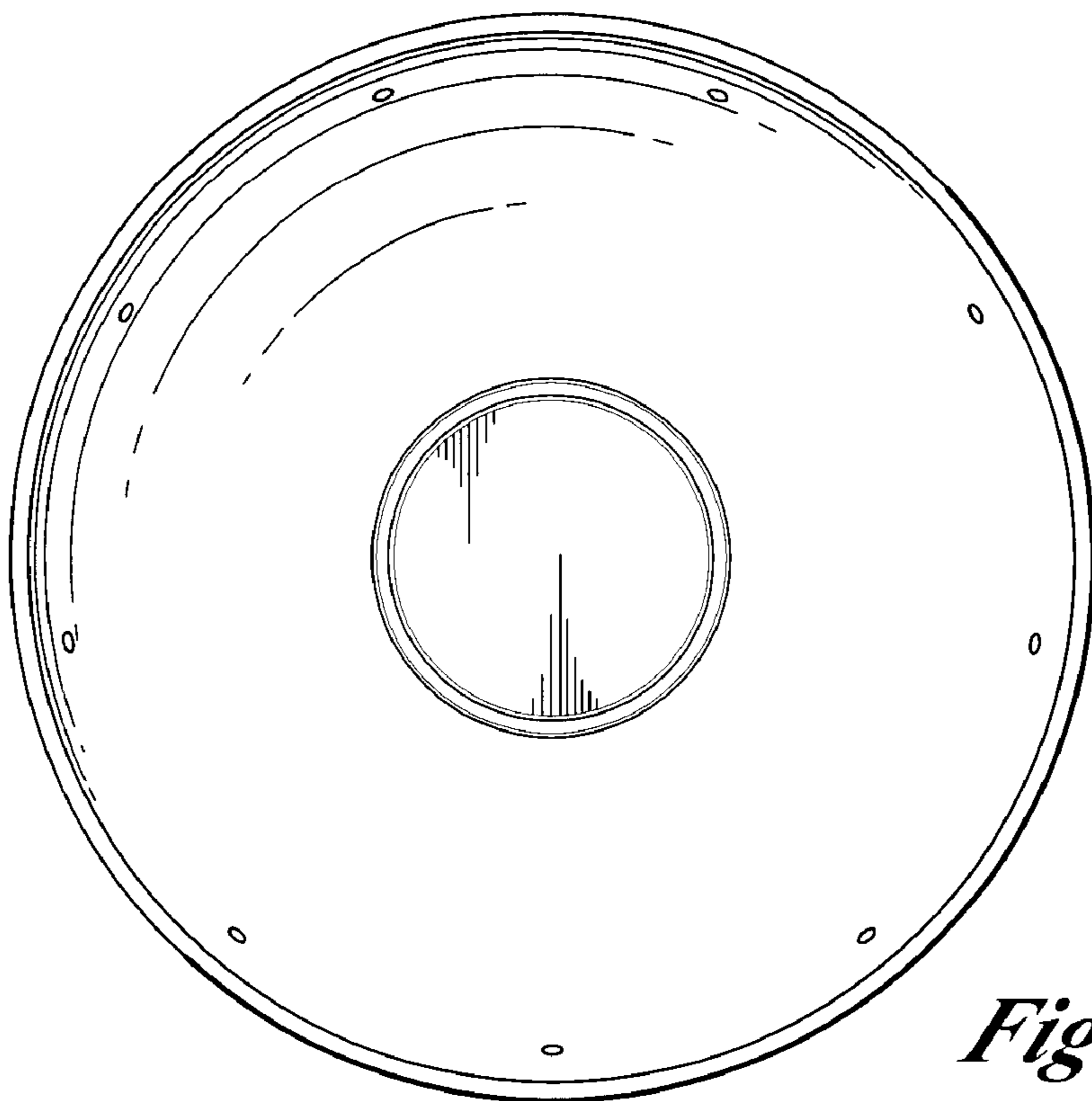


Fig. 6

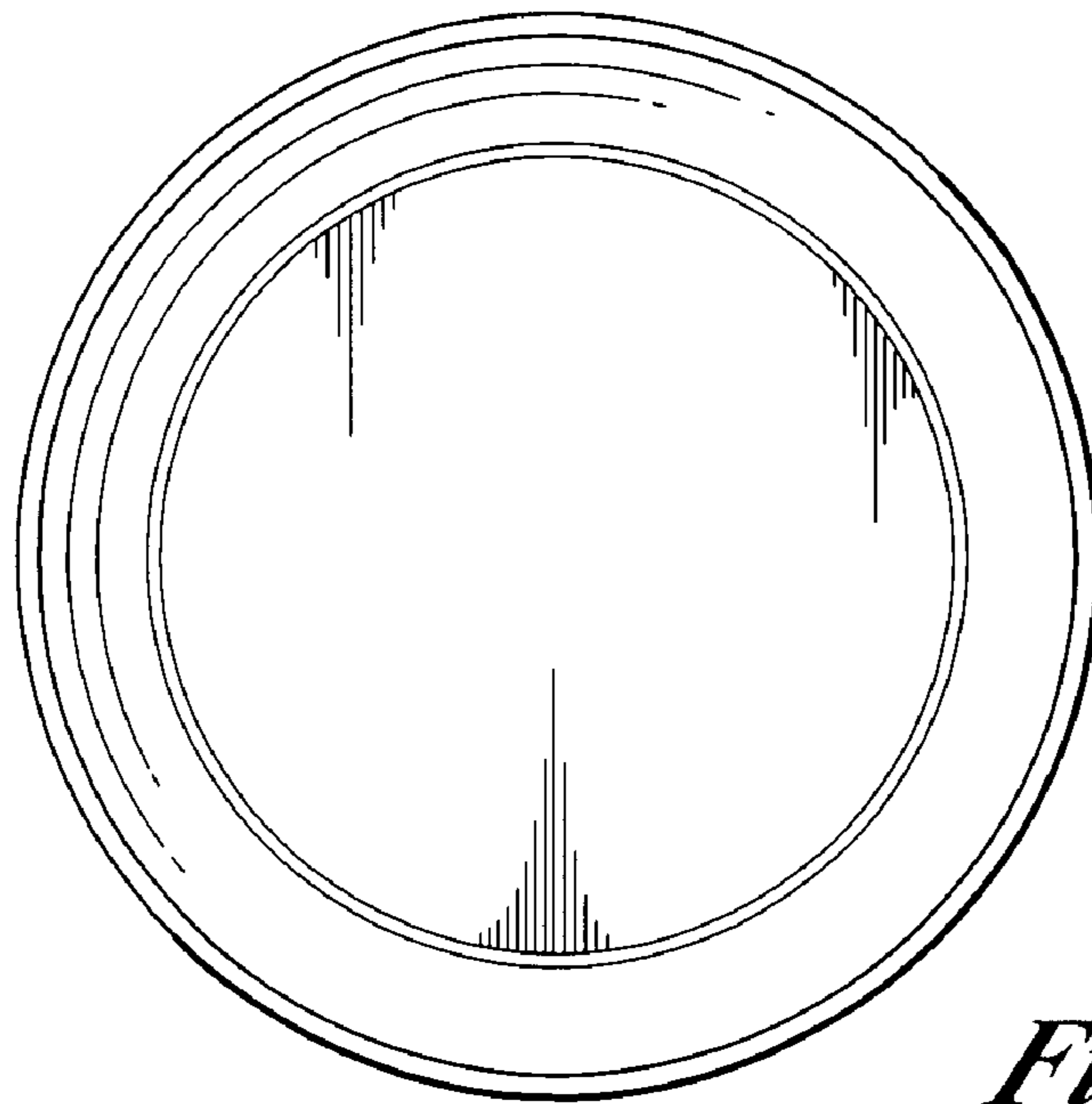


Fig. 7

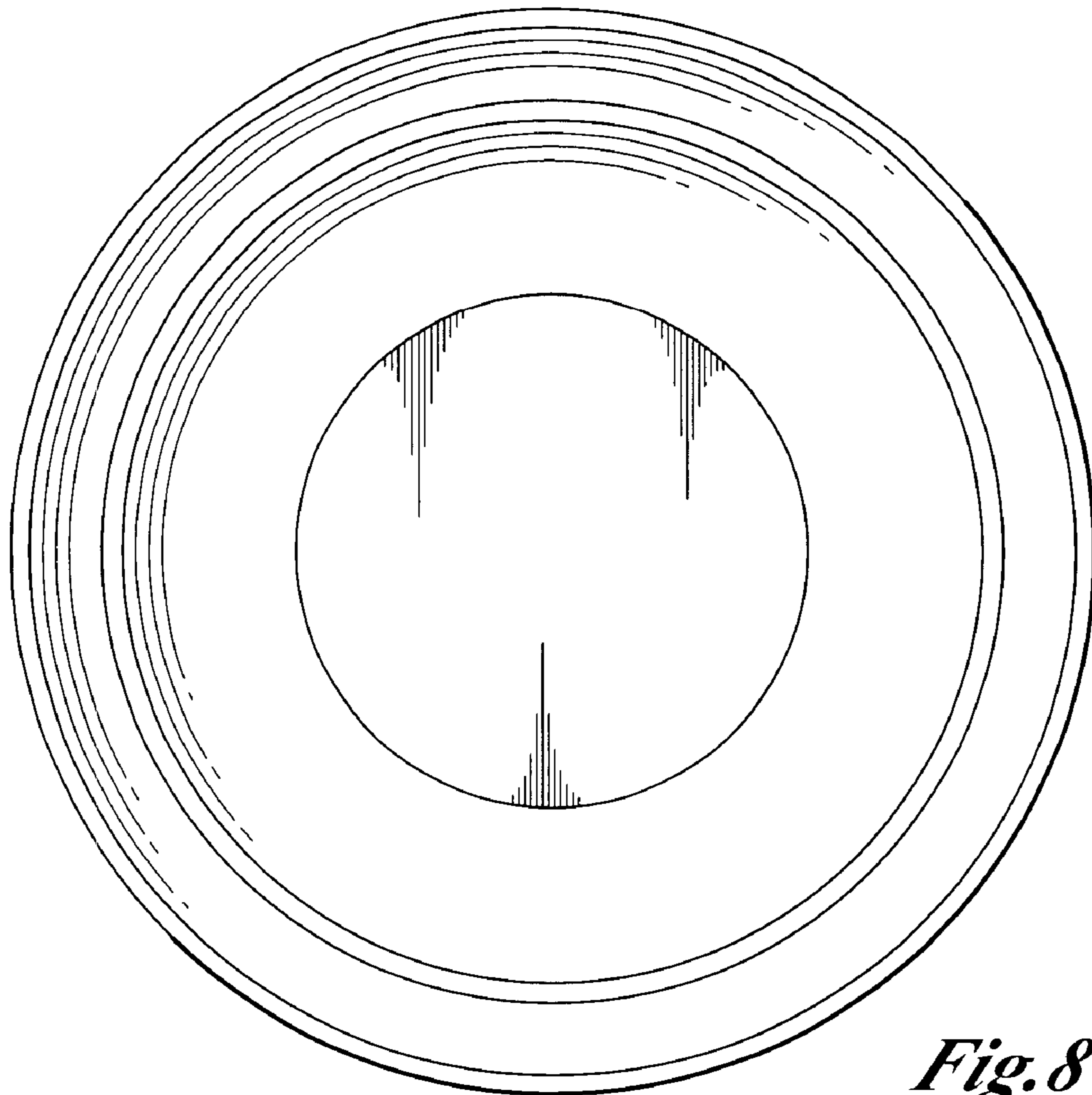


Fig. 8

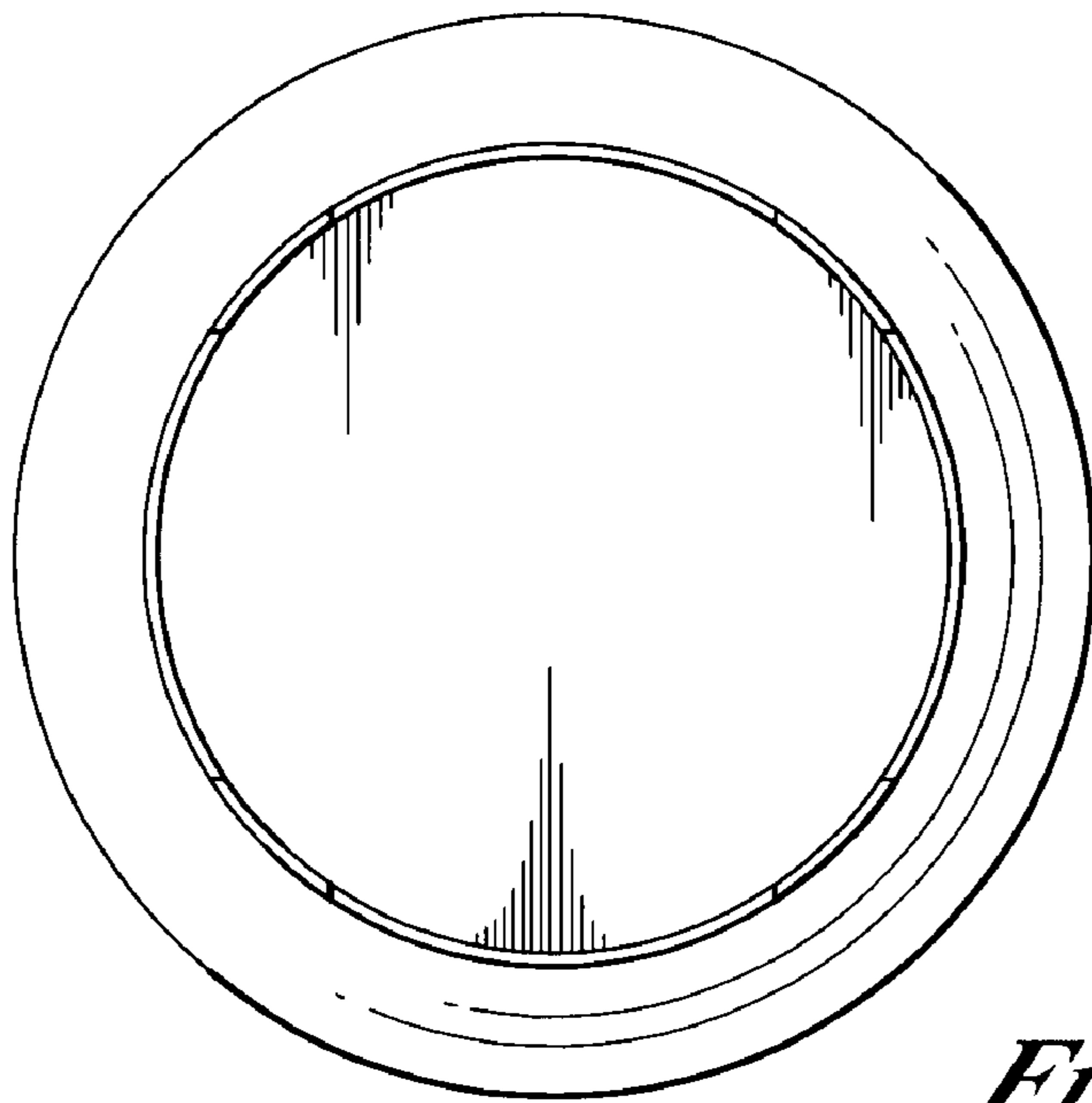


Fig. 9

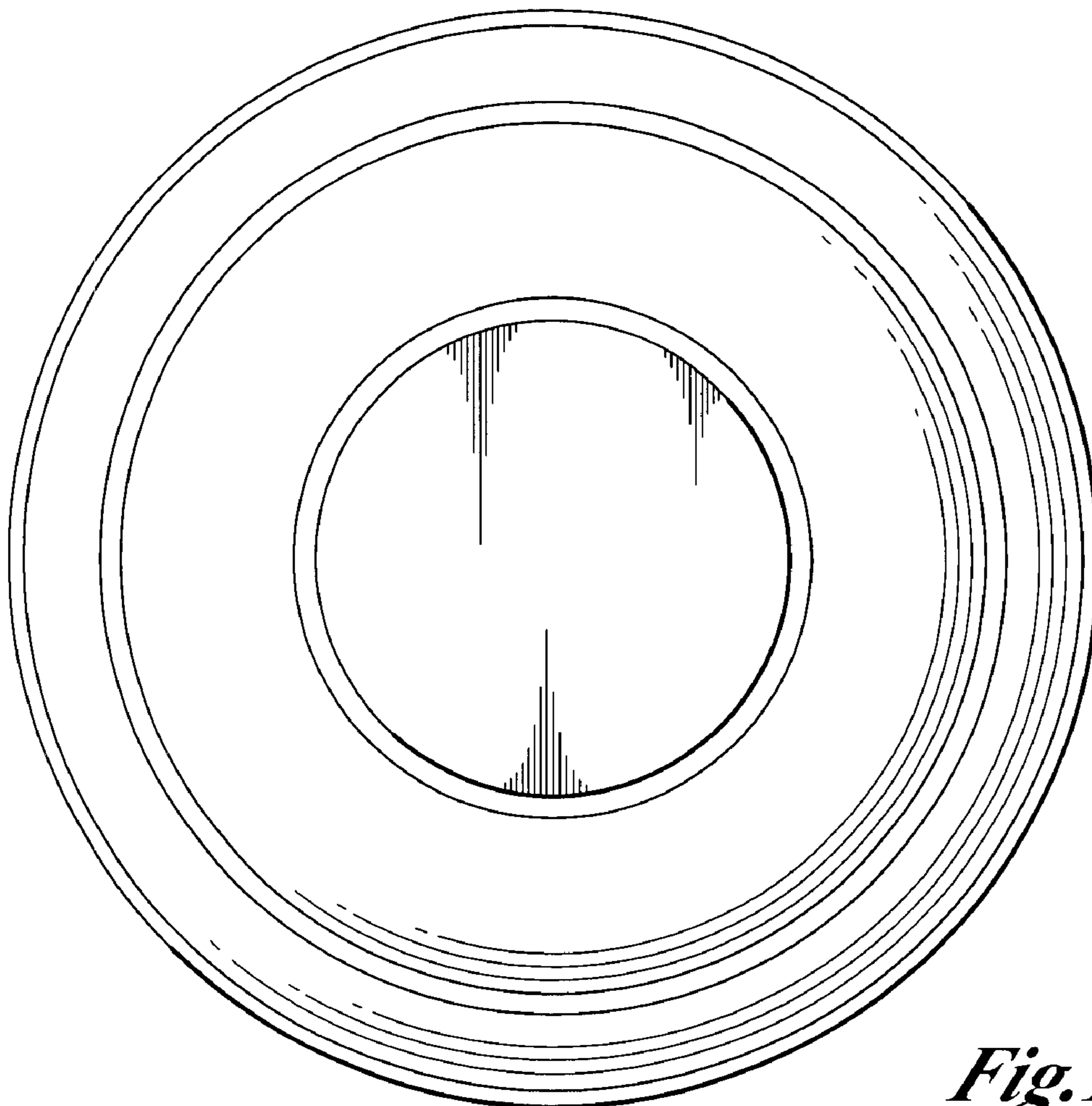


Fig. 10