



US00D521795S

(12) **United States Design Patent**
Imai

(10) **Patent No.:** **US D521,795 S**
(45) **Date of Patent:** **** May 30, 2006**

(54) **HANDY JUG**

(75) Inventor: **Katsuya Imai**, Osaka (JP)

(73) Assignee: **Tiger Corporation**, Osaka (JP)

(**) Term: **14 Years**

(21) Appl. No.: **29/233,707**

(22) Filed: **Jul. 7, 2005**

(30) **Foreign Application Priority Data**

Apr. 13, 2005 (JP) 2005-010946

(51) **LOC (8) Cl.** **07-01**

(52) **U.S. Cl.** **D7/318; D7/317; D7/322**

(58) **Field of Classification Search** D7/322,
D7/321, 312, 314, 317, 318, 319, 320, 600,
D7/608, 598; 73/328; 222/465.1, 25, 23,
222/156, 183, 472, 158, 185.1, 144.5; 206/459.5;
215/12.1, 398; 220/756, 592.22, 663, 4.01
See application file for complete search history.

(56) **References Cited**

U.S. PATENT DOCUMENTS

- D217,734 S * 6/1970 Abramson et al. D7/317
- D308,153 S * 5/1990 Collins D7/322
- D364,990 S * 12/1995 Fonville D7/317
- D386,934 S * 12/1997 Huang D7/319
- D395,576 S * 6/1998 Huang D7/319
- D417,814 S * 12/1999 Huang D7/319
- D420,241 S * 2/2000 Huang D7/319
- D425,004 S * 5/2000 Bonvicin D12/197
- D437,174 S * 2/2001 Inoue D7/319
- D444,338 S * 7/2001 Huang D7/318

- D453,279 S * 2/2002 Huang D7/318
- D454,468 S * 3/2002 Mano D7/318
- 6,425,496 B1 * 7/2002 Schulein 222/23
- D461,087 S * 8/2002 Hatsumoto D7/318
- 6,427,880 B1 * 8/2002 Hirose et al. 222/517
- D490,266 S * 5/2004 Imai D7/318
- 6,755,120 B1 * 6/2004 Lin 99/323.3
- D495,917 S * 9/2004 Watanabe D7/318

FOREIGN PATENT DOCUMENTS

- JP 708833 S 7/1987
- JP 847604 S 9/1992
- JP 1116281 S 7/2001

* cited by examiner

Primary Examiner—M. N. Pandozzi

(74) *Attorney, Agent, or Firm*—Christensen O'Connor Johnson Kindness PLLC

(57) **CLAIM**

The ornamental design for a handy jug, as shown and described.

DESCRIPTION

FIG. 1 is a perspective view of front, top and right side of a handy jug showing my new design;
FIG. 2 is a front view thereof;
FIG. 3 is a top plan view thereof;
FIG. 4 is a bottom view thereof;
FIG. 5 is a left side view thereof;
FIG. 6 is a right side view thereof; and,
FIG. 7 is a cross sectional view thereof of 7—7 shown in FIG. 3.

1 Claim, 4 Drawing Sheets

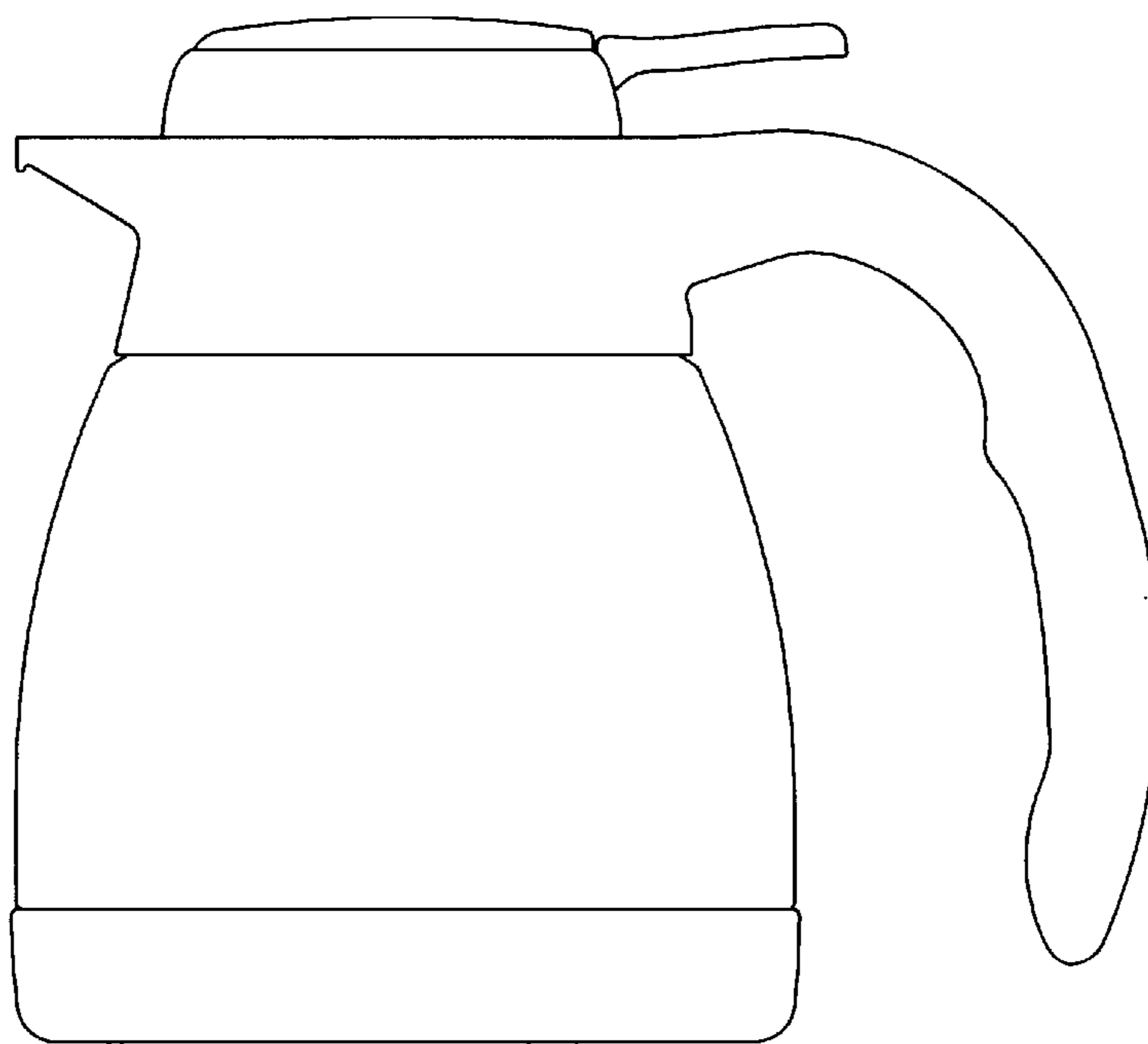


FIG. 1



FIG. 2

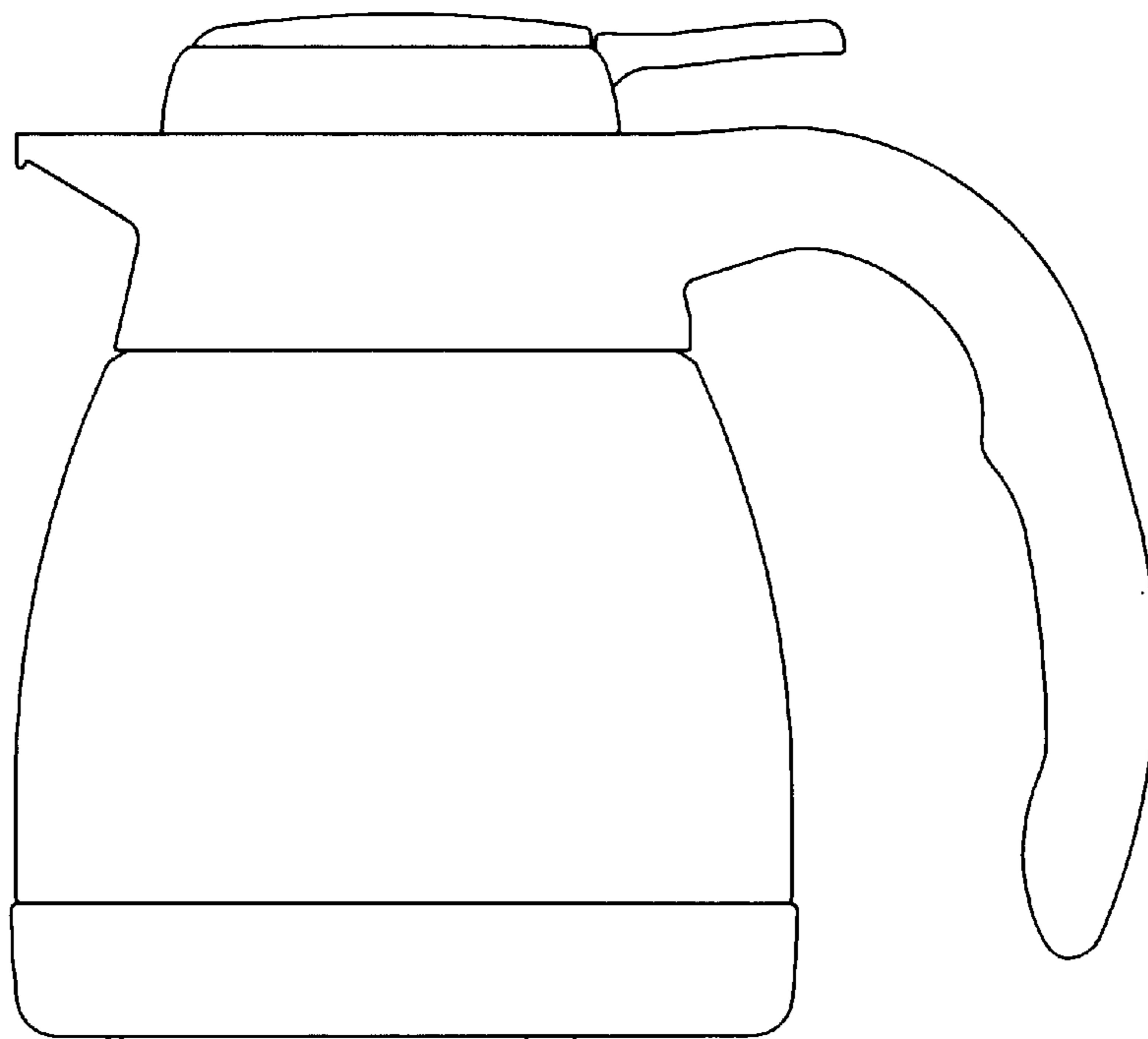


FIG.3

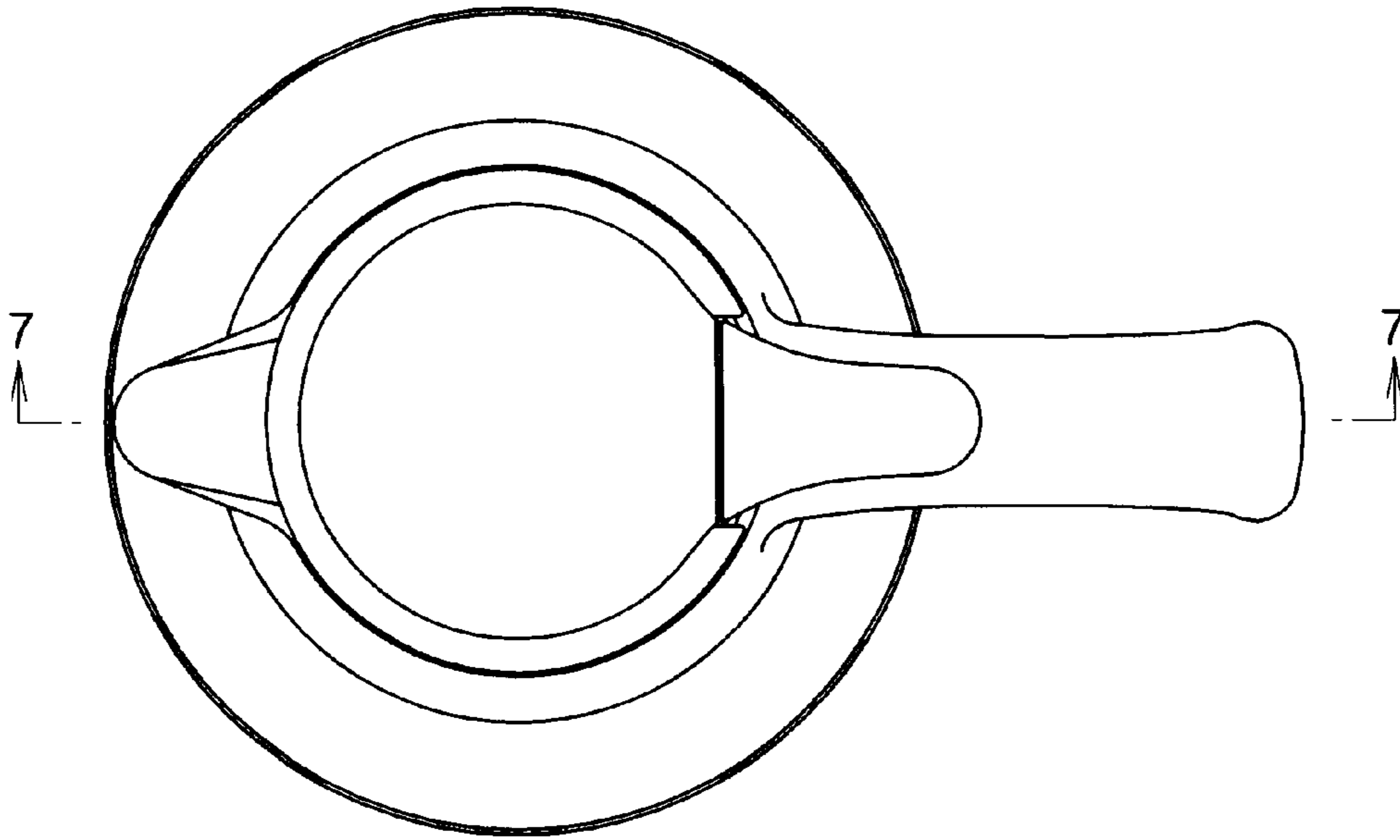


FIG.4

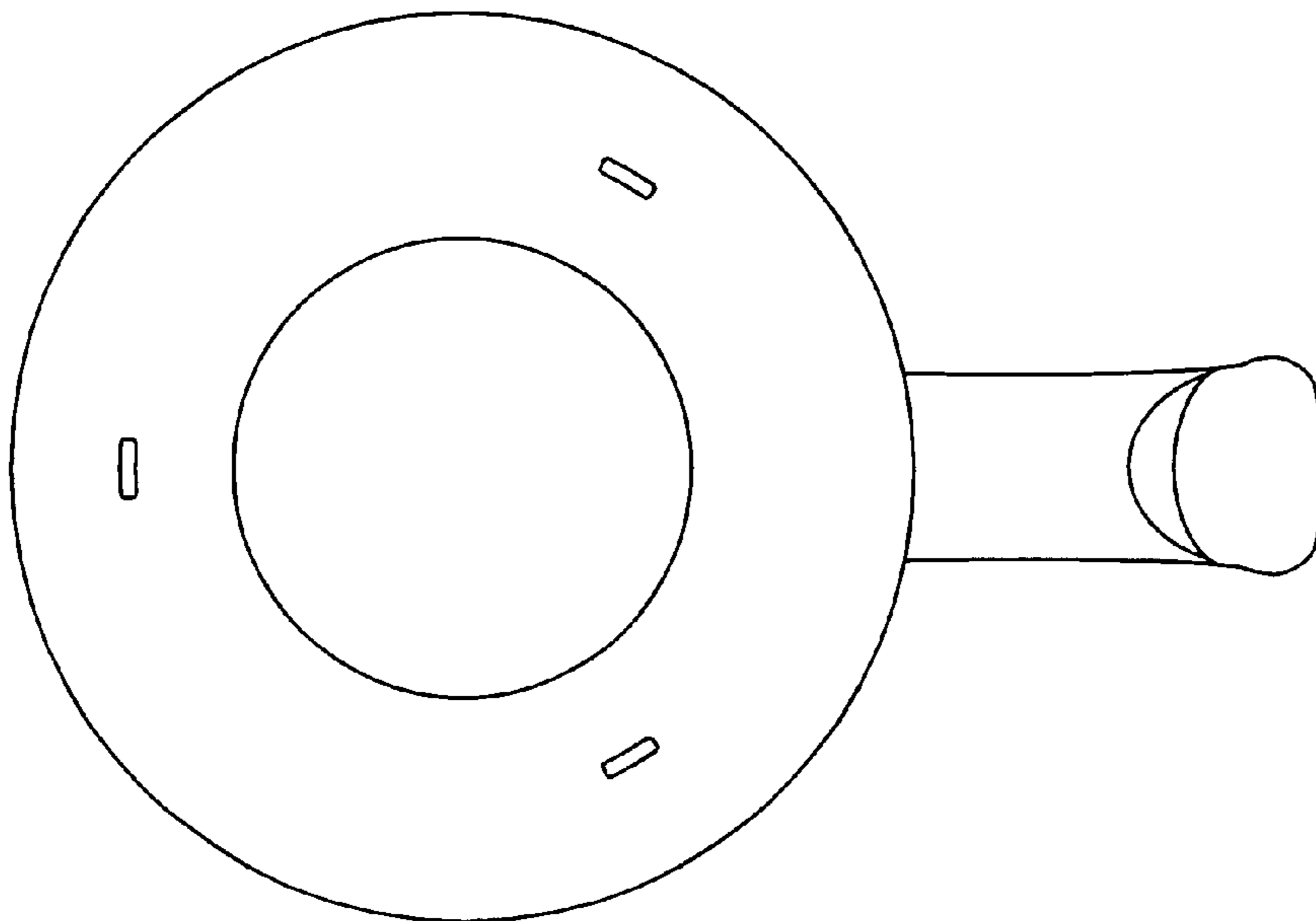


FIG. 5

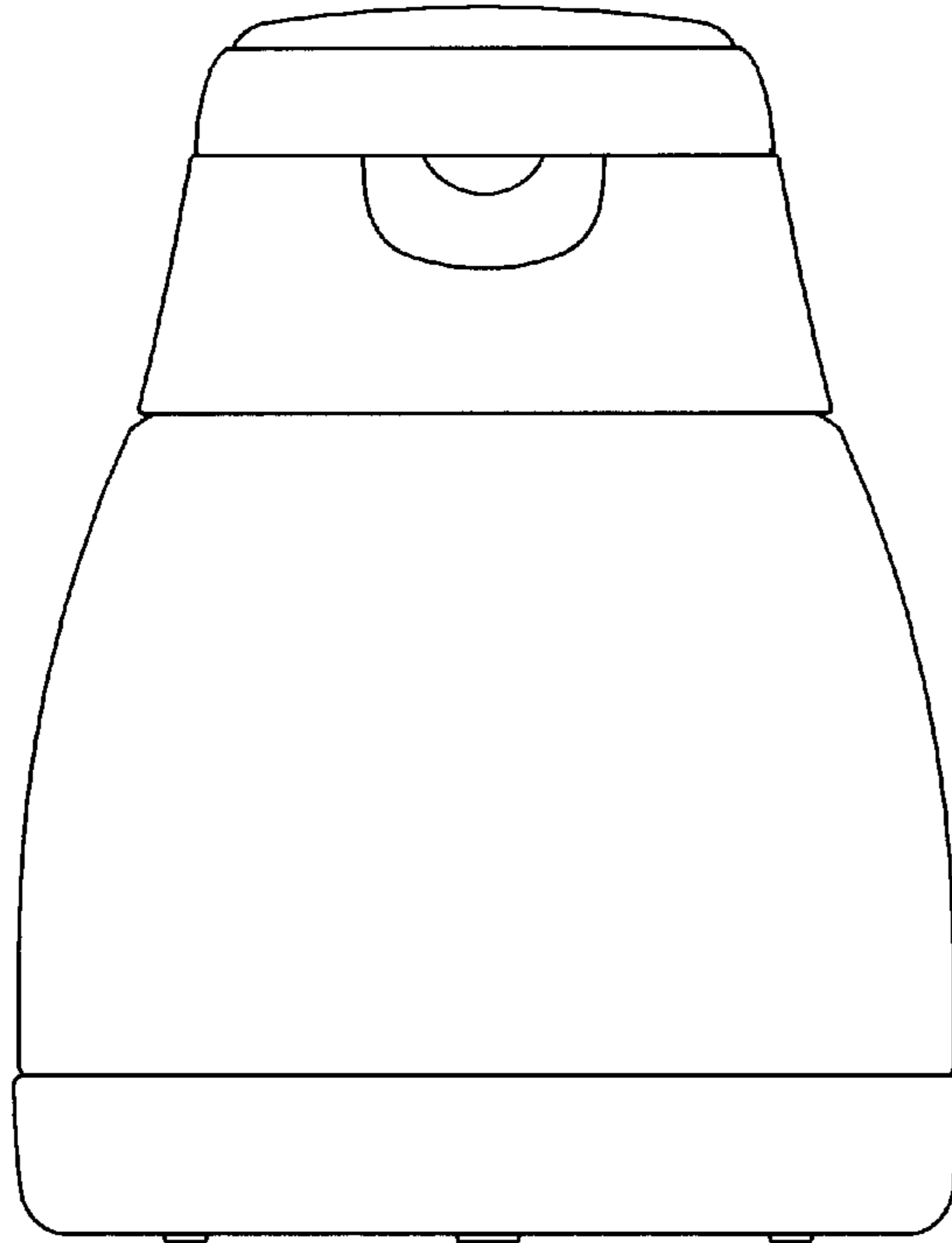


FIG. 6

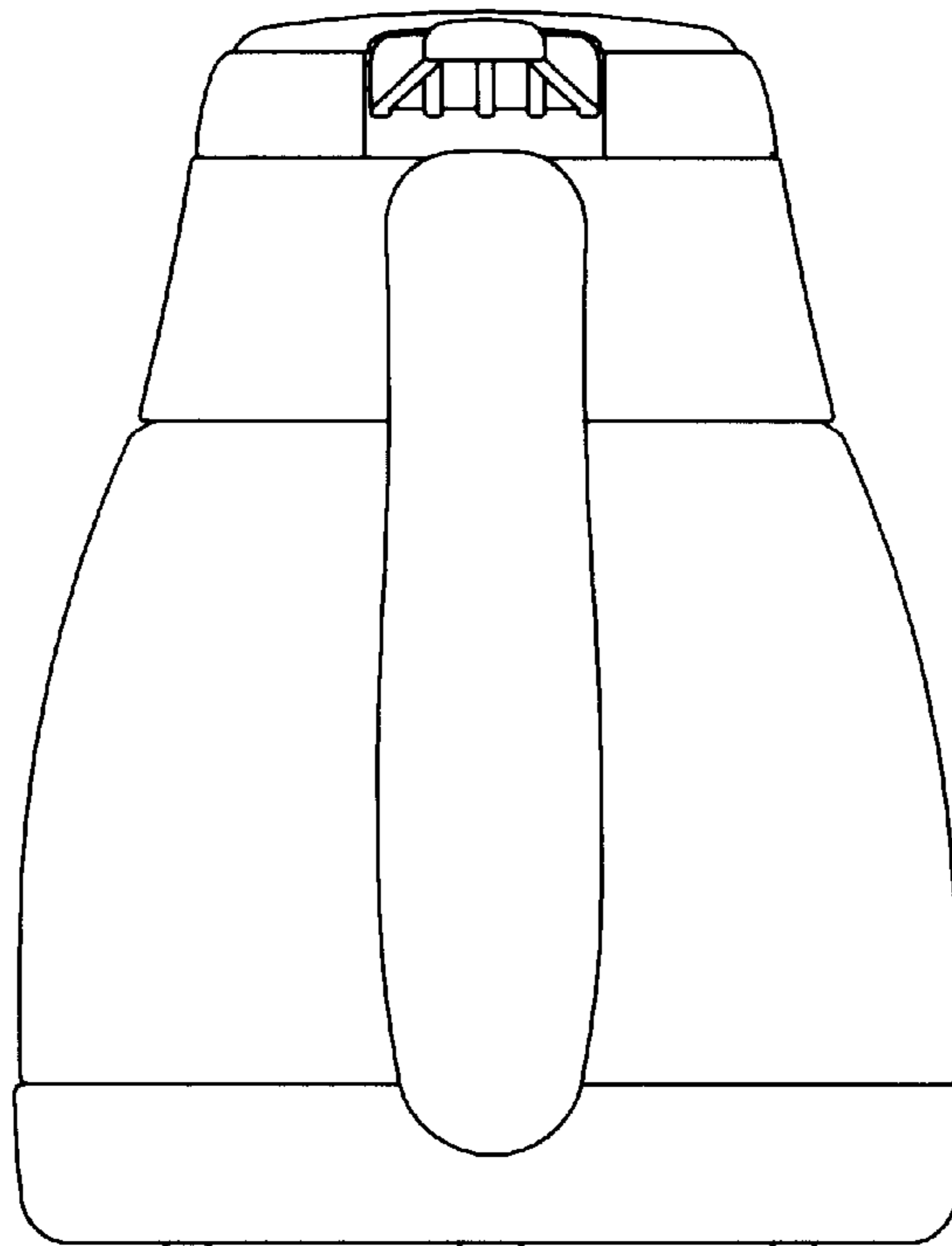


FIG. 7

